

Amphenol®



EMI Wind-Lok® Series Connectors

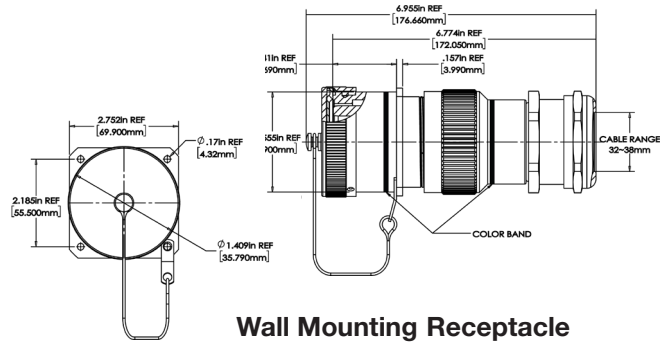
The EMI Wind-Lok® is a reverse bayonet connector which incorporates patented RADSOK® technology with brilliant EMI shielding performance. Designed to deliver high power from source to load. The plug contains an 18mm RADSOK® socket and the receptacle contains an 18mm pin with the option of crimp and 2-hole busbar termination. When unmated, personal safety is maintained through a touch-proof, dead-front contact design. The RADSOK'S® strongest benefit is its low milli-volt drop and minimized temperature rise when transmitting high current. The 18mm Wind-Lok® is perfectly suited for high amperage applications such as electrical generators, offshore petroleum production for power distribution, fuel cells, load banks, energy storage and charging systems.

Features:

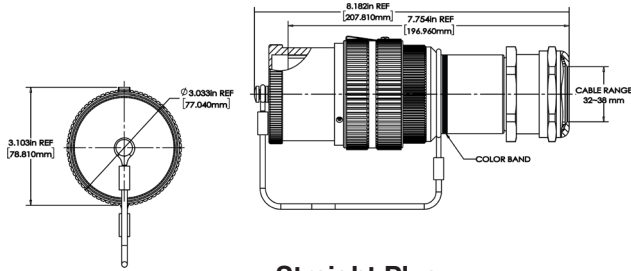
- 1/3 Turn Reverse Bayonet
- Secondary Locking
- Crimp or Busbar Termination
- Silver Plated Contacts
- Touch-Proof
- Current: Up to 800 Amps
- Operating Voltage: 1000V
- Operating Temperature: -40°C to +125°C
- 2000 Mating Cycles
- 300 day salt spray rating using Black Anodized finish

Benefits:

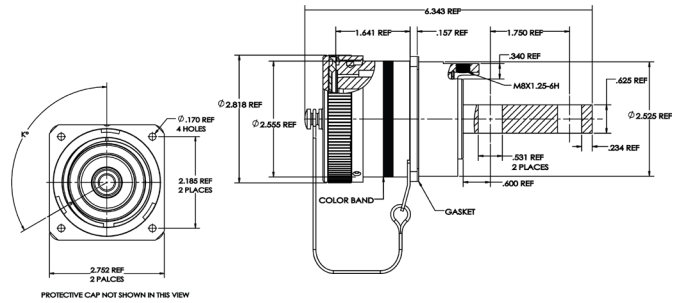
- Quick positive coupling
- Vibration resistant
- Audible, tactile, and visual indication of full coupling
- Secondary locking feature
- Environmental Applications
- High Amperage Applications
- Easily Adaptable



Wall Mounting Receptacle



Straight Plug



Wall Mounting Receptacle with 2-hole Busbar

How to order													
WL		1	2	3	4	5	6	7	8*	9			
Product Series		Contact Style	Shell Style	Protection Cap	Color	Shell Size	Contacts	Insert Rotation	Cable Size	Cable Gland Size			
WL	Wind-Lok Series	C Crimp Contact	03 Panel Mounting Receptacle	E Include	NC No Color	40 Size 40	P Pin Contact	N 180 degree normal keying	1 4/0 AWG-120 SQ MM (350A)	MM40M1	M40 EMI cable gland size 18-25mm		
		B 2-HOLES BUSBAR (Receptacle only)	06 Straight Plug	Omit Not included	BU Blue		S RADSOK® Socket Contact	W 120 degree alternate keying	2 262 KCMIL - 185 SQ MM (380A)	MM40M2	M40 EMI cable gland cable size 22-32 mm		
					OG Orange			X 90 degree alternate keying	3a 313 KCMIL - 185 SQ MM (400A)	MM50M	M50 EMI cable gland cable size 32-38 mm		
					YL Yellow			Y 210 degree alternate keying	3b 313 KCMIL - 185 SQ MM with longer crimp well (400A)	MM63M	M63 EMI cable gland cable size 34-45 mm		
					BN Brown			J 360 degree alternate keying	4a 373 KCMIL - 200 SQ MM (450A)				
					RD Red				4b 373 KCMIL - 200 SQ MM with longer crimp well (450A)				
					WY White				5a 444 KCMIL - 240 SQ MM (500A)				
					GN Green				5b 444 KCMIL - 240 SQ MM with longer crimp well (500A)				
					GR Gray				6 535 KCMIL (550A)				
					BK Black				7 646 KCMIL (650A)				
									7a 300 SQ MM (650A)				
									8 777 KCMIL (800A)				

* For busbar type receptacle, use the letter M in the 8th selector position

Notice: Specifications are subject to change without notice. Contact your nearest Amphenol Corporation Sales Office for the latest specifications. All statements, information and data given herein are believed to be accurate and reliable but are presented without guarantee, warranty, or responsibility of any kind, expressed or implied. Statements of suggestions concerning possible use of our products are made without representation or warranty that any such use is free of patent infringement and are not recommendations to infringe any patent. The user should assume that all safety measures are indicated or that other measures may not be required. Specifications are typical and may not apply to all connectors.

For further information on your individual application requirements, contact: Amphenol Corporation

North America:
Amphenol Industrial Operations
180 N. Freepoint Drive, Plant 4
Nogales, AZ 85621
Tel: (888) 364-9011
Fax: (520) 285-5134

Europe:
Amphenol Industrial Operations Europe
Via Barbaiana 5
1-20020 Lainate (MI) Italy
Tel: +39 02 93254.204
Fax: +39 02 93254.444

Middle East:
Amphenol Middle East Enterprises FZE
Office C-37 PO Box 21107
Ajman Free Zone, UAE
Tel: +9 716-7422494
Fax: +9 716-7422941

Asia:
Amphenol Technology (Zhuohai) Co., Ltd.
No. 63 Xing Han Road, San Zao Town
Jin Wan District, Zhuohai City, China 519040
Tel: +86 756-3989760
Fax: +86 756-3989768

Email: tech@amphenol-aio.com

Email: info@amphenol-aio.com

Email: jhussain@amphenol-industrial.com

Email: enquiry@amphenol-aio.com

X-ON Electronics

Largest Supplier of Electrical and Electronic Components

Click to view similar products for [Heavy Duty Power Connectors](#) category:

Click to view products by [Amphenol](#) manufacturer:

Other Similar products are found below :

[6646058-2](#) [6646137-1](#) [6646138-1](#) [6646940-1](#) [6651091-1](#) [6651525-1](#) [6651529-1](#) [696475-1](#) [702-32-01109](#) [703-25-02205](#) [73000005059](#)
[73000005642](#) [73080254296](#) [73080255059](#) [73080965046](#) [765-15-0080A](#) [765-16-0080B](#) [765-18-0080D](#) [902-77-02113](#) [PS00/A0620/6300](#)
[129-1J](#) [1409400](#) [E6374G1](#) [e6389g2](#) [157-43GW8](#) [MS3117-14AC](#) [1643543-1](#) [1650540-1](#) [1766966-1](#) [1791340000](#) [NLDFT-3-BL-L-S120-](#)
[M40A](#) [NLDFT-N-W-L-C240-M40B](#) [1926015-1](#) [NLS-N-W-C240-M40B](#) [2-1589900-8](#) [2199314-1](#) [KA8102](#) [9300480317](#) [29131](#) [294-0091-](#)
[01100](#) [296-0040-01100](#) [1648582-1](#) [A32595-0049](#) [1766249-1](#) [1766280-1](#) [1766818-1](#) [STV-H15S2-F/CO](#) [279-0841-10100A](#) [30-9717](#) [RMSB4](#)