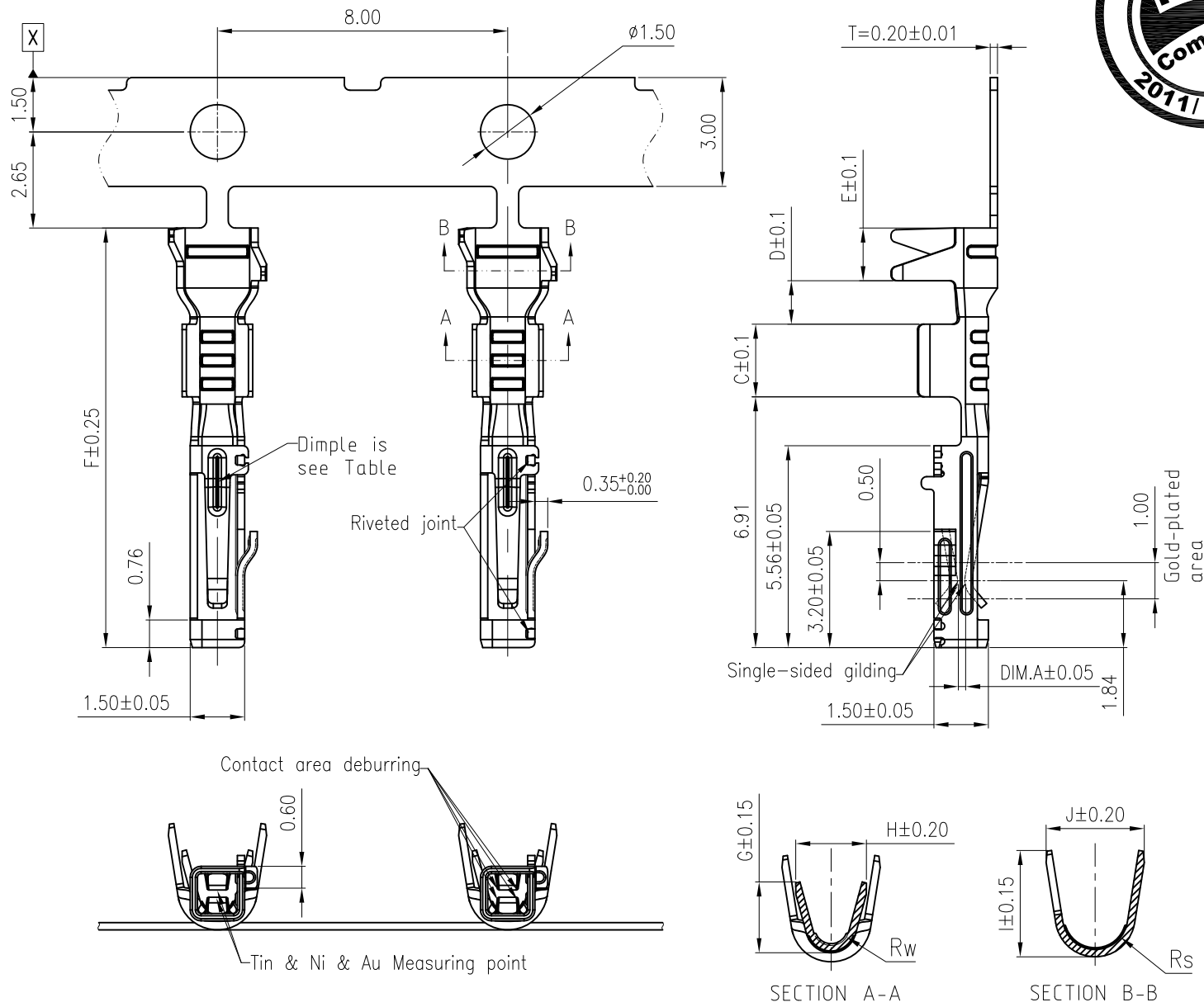


This document is the property of Amphenol Corporation and is delivered on the express condition that it is not to be disclosed, reproduced or used, in whole or in part, for manufacture or sale by anyone other than Amphenol Corporation without its prior consent, & that no right is granted to disclose or to use any information in this document.

CUSTOMER DRAWING



REVISIONS				
SYM	ECN	DESCRIPTION	DATE	APPROVED
1	N/A	FIRST RELEASE	05/25'17	IP
2	N/A	UPDATE DRAWINGS	06/20'17	IP
3	N/A	ADD P/N LIST AND INCREASE GOLD-PLATED AREA POSITION INDICATOR	07/04'17	IP
4	N/A	MODIFY BUCKLE SIZE AND PACKAGING DIRECTION	10/12'17	IP
5	N/A	ADD MATERIAL SPEC. AND PLATING SPEC.	07/18'18	IP
6	HK8352	ADD DIMPLE SPEC. AND SIDE SHRAPNEL CHANGED TO TEAR.	08/16'19	IP



NOTES/ 注释:

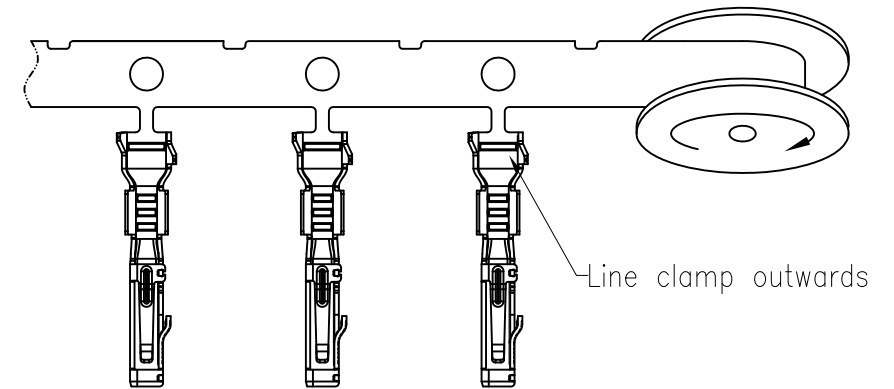
- MATERIAL: REFER TO P/N SYSTEM, T=0.20±0.01mm. 见编码原则, 厚度0.20±0.01毫米.
- FINISHED: REFER TO P/N SYSTEM. 电镀规格: 电镀请参考料号编码对应编码.
- PARTS MUST PASS A 90° BEND TEST [Contact the root of the shrapnel] WITHOUT CRACK OR FRACTURE OF MATERIAL; 端子需要通过90度折弯测试 (接触弹片根部处), 无裂纹或开裂异常;
- UNLESS OTHERWISE SPECIFIED, ALL INNER RADII ARE R0.10mm. 除非特别说明, 否则所有内部圆角为0.10mm.
- DIMENSIONING SHALL BE INTERPRETED PER ASME Y14.5-2009. 尺寸标注基于美国工程师协会Y14.5-2009标准.
- MATERIAL SHOULD BE FULFILLED AMPHENOL SPEC.# S-SN-002. 产品材料环保标准为Amphenol S-SN#002.
- ORDER P/N SYSTEM 产品料号编码系统: WTBS-S-X-X-X-XXX-X

MATERIAL:
T=C5210R-EH
C=C7025 TM03

WIRE SIZE RANGE:
1=0.13 to 0.17mm² (26~25AWG)
2=0.22 to 0.60mm² (24~20AWG)

PACKING:
R=REEL
SEQUENCE No.:
000 ~ 999

CONTACT PLATING:
0=Full Tin 1~2.5um Plated
1=0.15um Gold on mating area
2=0.375um Gold on mating area with lubrication
3=0.75um Gold on mating area with lubrication



WTBSX21005R	0.22 to 0.60 (24~20AWG)	F=11.56 E=1.45 D=1.2 C=2.0	Rw=0.5 H=2.1 G=1.9	Rs=0.9 J=2.9 I=2.8	0.20	With Without
WTBSX23000R	0.22 to 0.60 (24~20AWG)		Rw=0.5 H=2.1 G=1.9	Rs=0.9 J=2.9 I=2.8	0.25	With Without
WTBSX22000R			0.13 to 0.17 (26~25AWG)	Rw=0.4 H=1.6 G=1.25		Rs=0.7 J=1.9 I=1.8
WTBSX20000R				0.13 to 0.22 (26~24AWG)	Rw=0.4 H=1.7 G=1.4	
WTBSX21002R						
WTBSX10001R						
WTBSX11003R						
WTBSX11004R						
PART NO.	WIRE SIZE RANGE [mm ²]	LAENGE LENGTH	DRAHTCRIMP WIRE CRIMP [mm]	ISO CRIMP INSULATION CRIMP [mm]	DIM A	DIMPLE

UNLESS OTHERWISE SPECIFIED TOLERANCES	
U.S.	METRIC
.X	+/- 0.50
.XX	+/- 0.25
.XXX	+/- 0.10
FRACTIONS	+/-
ANGLES	+/- 3°

APPROVAL		DATE
DRAWN	Andy Lee	08/16'19
CHECKED	Dam He	08/16'19
CHECKED		
DRAWING FILE : DRAWING\WTB\ WTBSXXXXXR.dwg		
REMOVE SHARP EDGES		
ANGLE OF PROJECTION		
DIMENSIONS		
U.S.	INCHES	
(METRIC)	(MM)	

Amphenol		
Amphenol East Asia Limited		
TITLE CUSTOMER DRAWING FOR SOCKET,DUAL ROW,TERMINALS		
SIZE	DRAWING NO.	REV.
A3	WTBSXXXXXR	6
SCALE	NONE	SHEET 1 OF 1

X-ON Electronics

Largest Supplier of Electrical and Electronic Components

Click to view similar products for [Heavy Duty Power Connectors](#) category:

Click to view products by [Amphenol](#) manufacturer:

Other Similar products are found below :

[6646058-2](#) [6646137-1](#) [6646138-1](#) [6646940-1](#) [6651091-1](#) [6651525-1](#) [6651529-1](#) [696475-1](#) [702-32-01109](#) [703-25-02205](#) [73000005059](#)
[73000005642](#) [73080254296](#) [73080255059](#) [73080965046](#) [765-15-0080A](#) [765-16-0080B](#) [765-18-0080D](#) [902-77-02113](#) [PS00/A0620/6300](#)
[129-1J](#) [1409400](#) [E6374G1](#) [e6389g2](#) [157-43GW8](#) [MS3117-14AC](#) [1643543-1](#) [1650540-1](#) [1766966-1](#) [1791340000](#) [NLDFT-3-BL-L-S120-](#)
[M40A](#) [NLDFT-N-W-L-C240-M40B](#) [1926015-1](#) [NLS-N-W-C240-M40B](#) [2-1589900-8](#) [2199314-1](#) [KA8102](#) [9300480317](#) [29131](#) [294-0091-](#)
[01100](#) [296-0040-01100](#) [1648582-1](#) [A32595-0049](#) [1766249-1](#) [1766280-1](#) [1766818-1](#) [STV-H15S2-F/CO](#) [279-0841-10100A](#) [30-9717](#) [RMSB4](#)