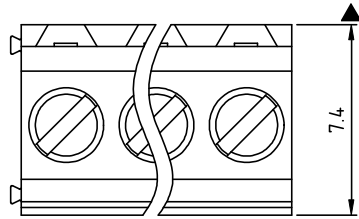
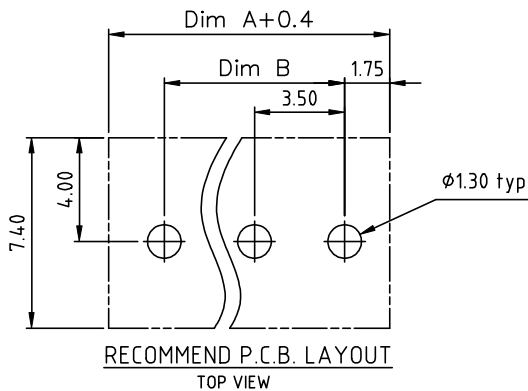
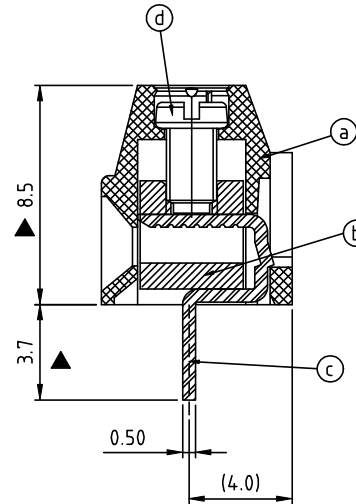
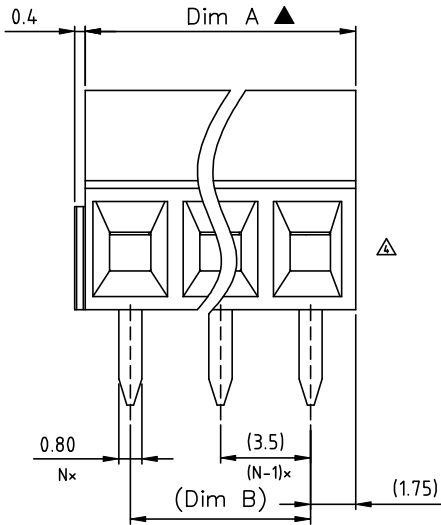


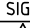
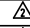
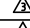
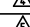
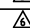
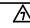
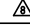

RoHS Compliant 



N = Number of poles
 Dim A = N x 3.5
 Dim B = (N - 1) x 3.5

Poles	Dim A
2-6p	±0.15
7-12p	±0.25
13-18p	±0.35
19-24p	±0.40






Rev	SIGN	DATE	DESCRIPTION	APPROVER
E		01/26'10	Soldering temperature changed from 245°C to 250°C	Tason
		01/26'10	Part No. is changed	Tason
F		03/18'11	Add is " TUV " and Torque is changed	Juany
G		01/08'14	change the structure	Guoxue
H		10/11'18	Change the withstanding voltage from 1.25KV to 1.5KV	PansLee
		10/11'18	Add the operating temperature "-40°C to +105°C"	PansLee
		10/11'18	Modify the drawing frame and update critical dimension	PansLee
		10/11'18	Add the reference dimension and note description	PansLee

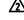
THIS IS CAD DRAWING, DO NOT REVISE MANUALLY!!!

Material:

- Item ① Terminal housing :Thermoplastic (UL 94 V-0)
- Item ② Clamp : Brass,Ni plated
- Item ③ Wire guard solder pin : Brass,Tin plated
- Item ④ Terminal screw: Steel Zinc plating"-slot type

Electrical cULus / TUV

- Voltage rating: 300V / 300V
- Current rating: 10A / 12A
- Wire range: 0.2~1.5mm²
- Solid wire(AWG): 16-24
- Stranded wire(AWG): 16-24
- Torque: 1.7 Lb-In / 0.2N.m (stackable type: 1.5Kgf cm)
- Screw: M2
- Wire strip length: 5-6mm
- Withstanding Voltage: 1.6KV / 1.5KV
- Operating temperature: -40°C to +115°C / -40°C to +105°C
- Wave soldering temperature: 260°C±5°C/5 Sec
- Safety Approval:  
- Critical dimension: 
- Reference dimension: (x) The dimensions of pitch are just for reference, take the actual assembly result as a judgment when inserting the terminal block into the PCB hole.

 YO xx 01 x 0 xxxx G

No. of poles	Color	RoHS compliant (lead<4%) In copper Alloy
0	Black (RAL9005)	0000 Standard @ Logo
02	2 POLES Red (RAL3001/D)	000A Standard ANY Logo
03	3 POLES Orange(RAL2011/P)	Any special item by customer request, please contact sales department.
...
24	24 POLES Green(RAL6018/T)	...
	Blue (RAL5015/A)	...
	Grey(RAL7035/D)	...
	White(RAL1102)	...
	C Green(RAL6018/U)	...

Amphenol ANYTEK

CUSTOMER COPY

ALL RIGHTS RESERVED. REPRODUCTION OR ISSUE TO THIRD PARTIES IN ANY FORM WHATSOEVER IS NOT PERMITTED WITHOUT WRITTEN AUTHORITY FROM THE PROPRIETOR. PROPERTY OF ANYTEK TECHNOLOGY CO., LTD

TITLE				YO 3.5 Series 2P-24P			
PART NO.		YOxx01x0xxxxG		DWG NO.		8Y0001	
APPROVED		CHECKED	DESIGNED	DRAWN	CUST NO.		Tolerance
			PansLee 2018.10.25	PansLee 2018.10.25			X. ±0.50
							X.X ±0.30
							X.XX ±0.10
							X° ±1°
				SHEET: 01/01		REV.: H	

X-ON Electronics

Largest Supplier of Electrical and Electronic Components

Click to view similar products for [Fixed Terminal Blocks](#) category:

Click to view products by [Amphenol](#) manufacturer:

Other Similar products are found below :

[MBE-1512](#) [MBE-1520](#) [MBE-154](#) [MBE-156](#) [MBES-156](#) [MH-2512](#) [MHE-132](#) [MHE-163](#) [MI-254 \(35\)](#) [MPT-275](#) [ELM023100](#) [ELM10110G](#)
[BA311TU](#) [BA411SU](#) [MV-254-D](#) [MV-255](#) [MV-493](#) [MVE-252](#) [MVE-253](#) [MVEB-153](#) [1705142](#) [1-796689-8](#) [1841320000](#) [20020314-](#)
[C121B01LF](#) [KP03215000J0G](#) [KP04215000J0G](#) [S451](#) [29.007](#) [29.116](#) [30.204](#) [30.503](#) [30.756](#) [30.853](#) [9872-0-00-15-00-00-33-0](#) [996750](#)
[1710052](#) [20020316-G071B01LF](#) [20020327-C061B01LF](#) [29590](#) [30.652](#) [30.710](#) [30.754](#) [30.757](#) [32.058](#) [37.206](#) [37.208](#) [37.507](#) [37.558](#) [38331-](#)
[5812](#) [38331-8018](#)