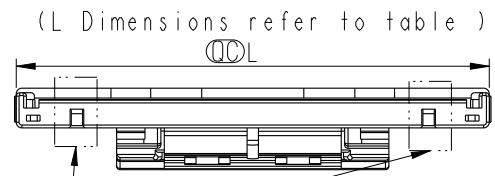
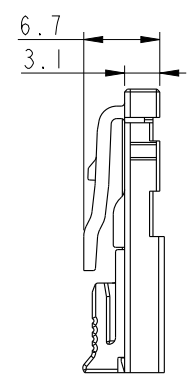
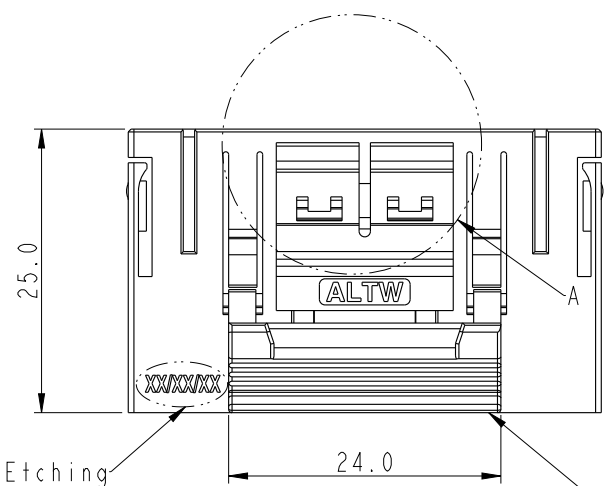
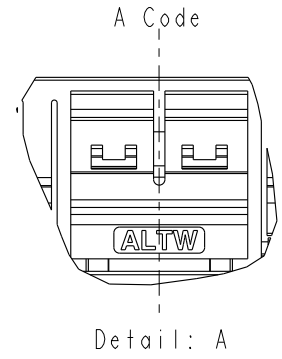


THIS DOCUMENT IS SUBJECT TO CHANGE WITHOUT NOTICE. IT IS CONFIDENTIAL AND A PROPERTY OF AMPHENOL LTW. DISCLOSURE TO THIRD PARTY HAS TO BE AUTHORIZED BY AMPHENOL LTW.

REV.	ECN NO.	DATE	SIGN	DESCRIPTION
A		2023/01/10	Xiaofeng	New Initial.



The prevention tilt insert structure is only available for 36 to 40 pin



Laser Etching Corresponding Pin Number

The secondary lock

Z2A1-XX NMAN-BN0001

XX: Number Of Contacts (Pitch)  
 AA: 40 (P0.9) / 20 (P1.8)  
 AB: 38 (P0.9) / 19 (P1.8)  
 AC: 36 (P0.9) / 18 (P1.8) / 12 (P2.7)

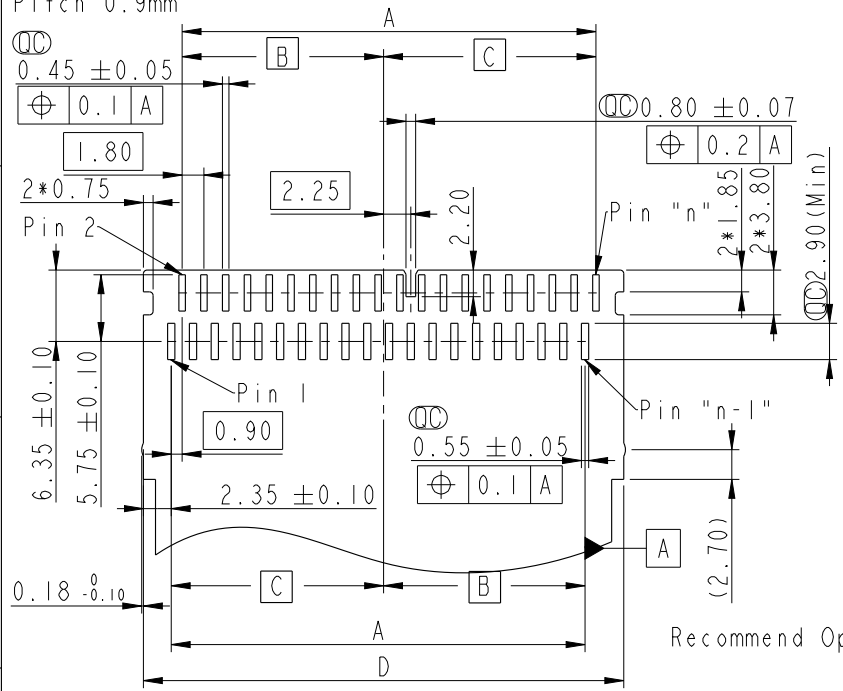
UNIT: mm		TITLE Z CONN., N SHLD, M		
	TOLERANCE .X ±0.25 .XX ±0.1 .XXX ±0.05 ANGLES ±1°	SCALE 1:1	SIZE A4	SHEET 1 OF 5
	REV. A	WC-REV. .0	QC: Inspection item	

**Amphenol LTW**  
 安費諾亮泰企業股份有限公司

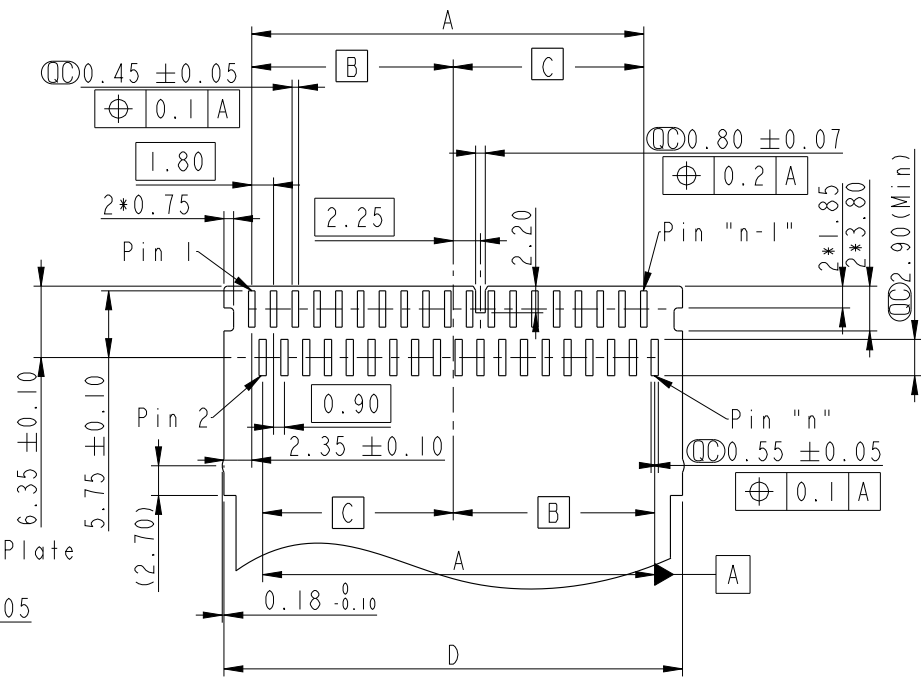
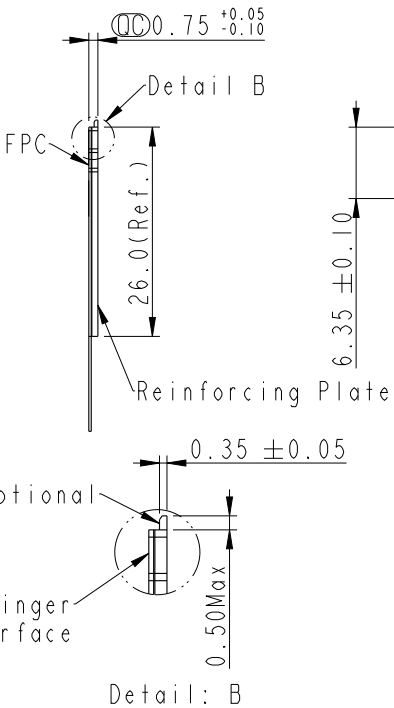
ITEM NO Z2A1-XXNMAN-BN0001	DRAWN BY Xiaofeng	DATE 2023/01/10
CUSTOMER ALTW	CHECKED BY Jerry	DATE 2023/01/10
	APPROVED BY Max	DATE 2023/01/10

THIS DOCUMENT IS SUBJECT TO CHANGE WITHOUT NOTICE. IT IS CONFIDENTIAL AND A PROPERTY OF AMPHENOL LTW. DISCLOSURE TO THIRD PARTY HAS TO BE AUTHORIZED BY AMPHENOL LTW.

Flexible Printed Circuit  
Pitch 0.9mm



RECOMMENDED FPC LAYOUT



RECOMMENDED FPC LAYOUT

PIN	L (mm)	A (mm)	B (mm)	C (mm)	D (mm)
36	38.1	30.6	14.85	15.75	36.2
40	41.7	34.2	16.65	17.55	39.8

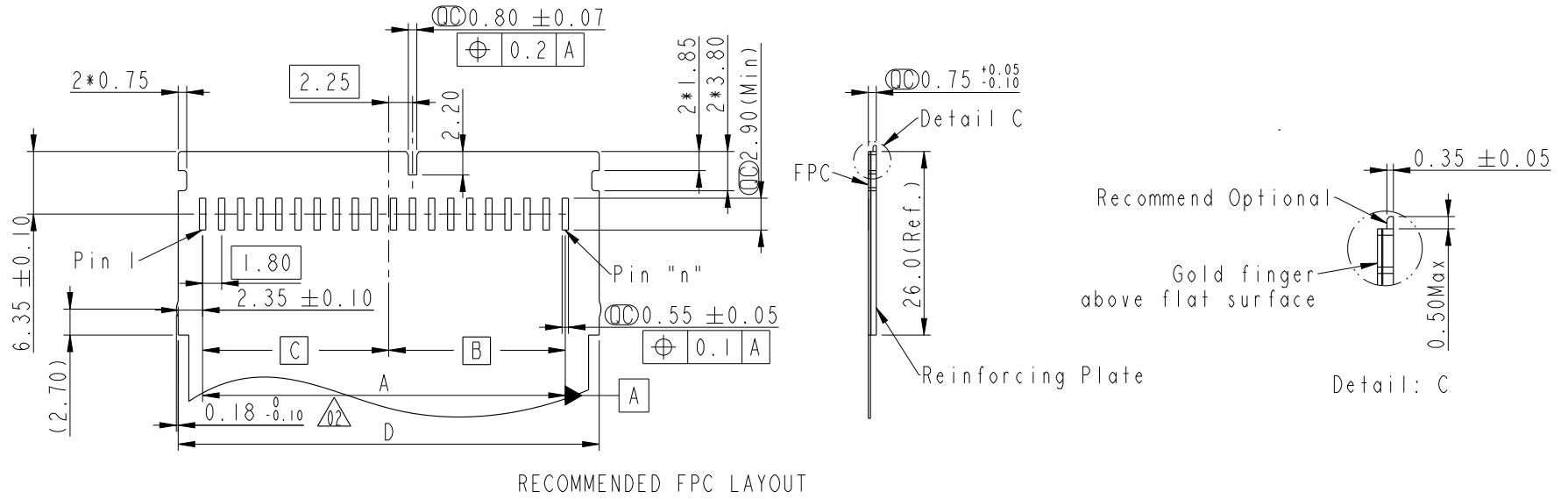
PIN	L (mm)	A (mm)	B (mm)	C (mm)	D (mm)
38	39.9	32.4	16.65	15.75	38

UNIT: mm			TITLE Z CONN., N SHLD, M		
TOLERANCE	.X ±0.25	.XX ±0.1	SCALE 1:1	SIZE A4	SHEET 2 OF 5
ANGLES	.XXX ±0.05	±1°	REV. A	WC-REV. .0	QC: Inspection item

**Amphenol LTW**  
安費諾亮泰企業股份有限公司

ITEM NO	DRAWN BY Xiaofeng	DATE 2023/01/10
DWG NO Z2AI-XXNMAN-BN0001	CHECKED BY Jerry	DATE 2023/01/10
CUSTOMER ALTW	APPROVED BY Max	DATE 2023/01/10

Flexible Printed Circuit  
Pitch 1.8mm



PIN	L (mm)	A (mm)	B (mm)	C (mm)	D (mm)
18	38.1	30.6	14.85	15.75	36.2
19	39.9	32.4	16.65	15.75	38.0
20	41.7	34.2	16.65	17.55	39.8

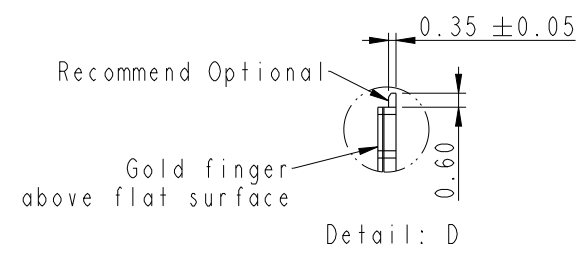
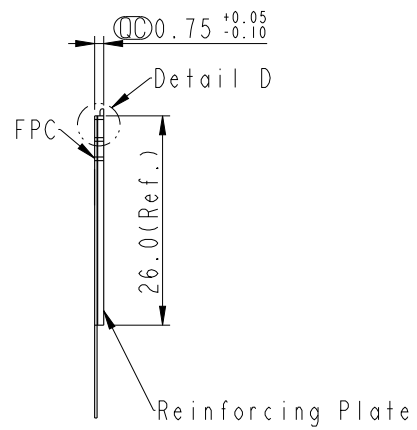
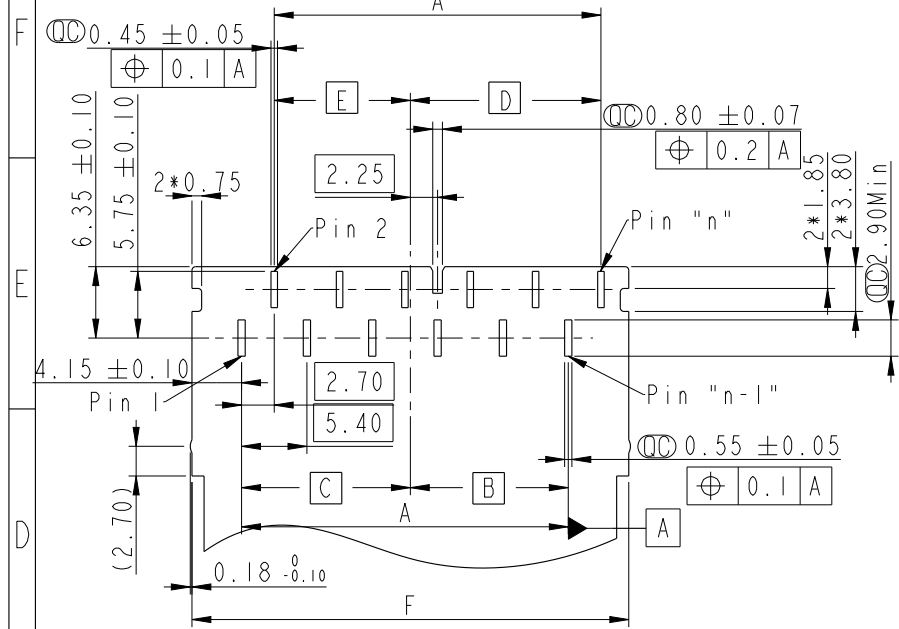
UNIT: mm  TOLERANCE .X ±0.25 .XX ±0.1 .XXX ±0.05 ANGLES ±1°	TITLE Z CONN., N SHLD, M		<b>Amphenol LTW</b> 安費諾亮泰企業股份有限公司		ITEM NO	DRAWN BY Xiaofeng	DATE 2023/01/10
	SCALE 1:1	SIZE A4			SHEET 3 OF 5	DWG NO Z2AI-XXNMAN-BN0001	CHECKED BY Jerry
	REV. A	WC-REV. .0	Inspection item	CUSTOMER ALTW	APPROVED BY Max	DATE 2023/01/10	

THIS DOCUMENT IS SUBJECT TO CHANGE WITHOUT NOTICE. IT IS CONFIDENTIAL AND A PROPERTY OF Amphenol LTW. DISCLOSURE TO THIRD PARTY HAS TO BE AUTHORIZED BY Amphenol LTW.

THIS DOCUMENT IS SUBJECT TO CHANGE WITHOUT NOTICE. IT IS CONFIDENTIAL AND A PROPERTY OF Amphenol LTW. DISCLOSURE TO THIRD PARTY HAS TO BE AUTHORIZED BY Amphenol LTW.

2      3      4      5      6      7      8

Flexible Printed Circuit  
Pitch 2.7mm

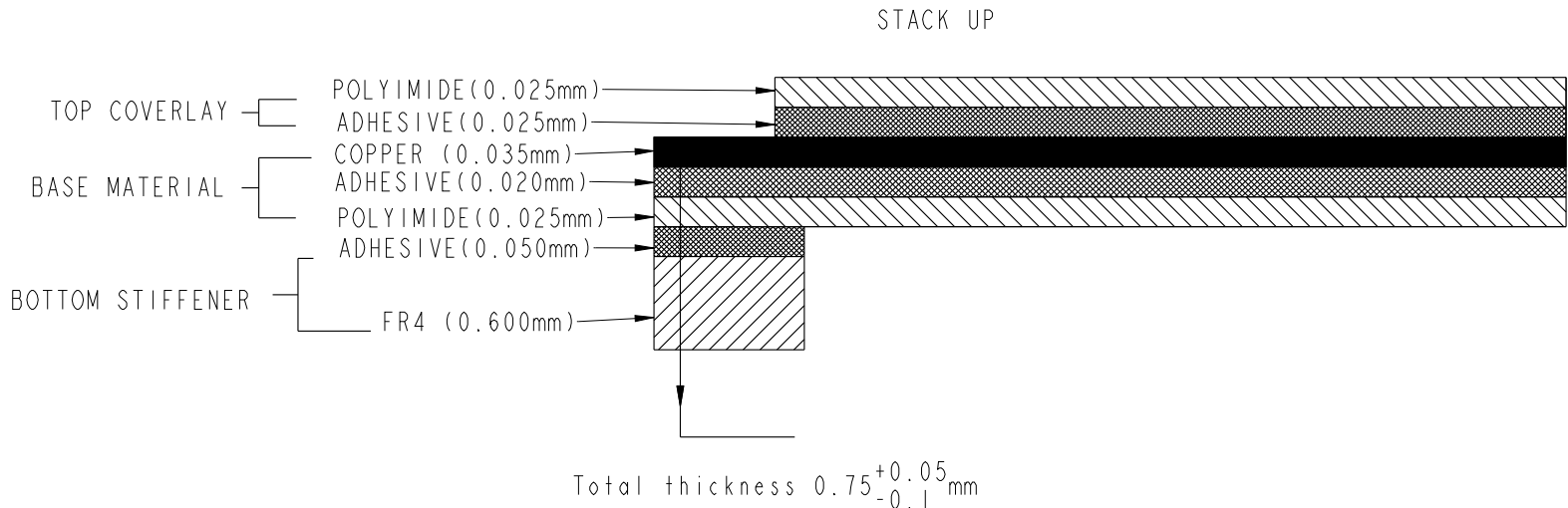


RECOMMENDED FPC LAYOUT

PIN	L(mm)	F(mm)	A(mm)	B(mm)	C(mm)	D(mm)	E(mm)
12	38.1	36.2	27.0	13.05	13.95	15.75	11.25

UNIT: mm 		TITLE <b>Z CONN., N SHLD, M</b>		Amphenol LTW		ITEM NO	DRAWN BY Xiaofeng	DATE 2023/01/10		
		SCALE 1:1		SIZE A4		SHEET 4 OF 5		DWG NO Z2A1-XXNMAN-BN0001	CHECKED BY Jerry	DATE 2023/01/10
		REV. A		WC-REV. .0		$\varnothing$ : Inspection item		CUSTOMER ALTW	APPROVED BY Max	DATE 2023/01/10
2		3		4		5		6		

THIS DOCUMENT IS SUBJECT TO CHANGE WITHOUT NOTICE. IT IS CONFIDENTIAL AND A PROPERTY OF Amphenol LTW. DISCLOSURE TO THIRD PARTY HAS TO BE AUTHORIZED BY Amphenol LTW.



Note:  
 \*  $\text{CC}$  Important Dimensions To Check.  
 \* Material: Thermoplastic, Black.  
 \* All Parts Are RoHS Compliant.

UNIT: mm	
TOLERANCE	
.X	±0.25
.XX	±0.1
.XXX	±0.05
ANGLES	±1°

TITLE Z CONN., N SHLD, M			
SCALE 1:1	SIZE A4	SHEET 5 OF 5	
REV. A	WC-REV. .0	$\text{CC}$ : Inspection item	

**Amphenol LTW**  
 安費諾亮泰企業股份有限公司

ITEM NO	DRAWN BY Xiaofeng	DATE 2023/01/10
DWG NO Z2A1-XXNMAN-BN0001	CHECKED BY Jerry	DATE 2023/01/10
CUSTOMER ALTW	APPROVED BY Max	DATE 2023/01/10

## X-ON Electronics

Largest Supplier of Electrical and Electronic Components

*Click to view similar products for [FFC & FPC Connectors](#) category:*

*Click to view products by [Amphenol](#) manufacturer:*

Other Similar products are found below :

[00-6200-227-022-800](#) [00 6224020001800](#) [006205250500825+](#) [006205280500825+](#) [FPH-1602G](#) [086222026001800](#) [52610-0675](#) [62674-201121DLF](#) [52746-1671-TR250](#) [686322124422](#) [XF3M-2915-1B-R100](#) [AYF353125A](#) [AYF530665TA](#) [AYF534065TA](#) [20FLH-RSM1-TB](#) [PCA-7F-25-HL-3-G](#) [207356-1](#) [52807-0430](#) [FFC05011-10SBB114W5M](#) [502250-8027](#) [FH28K-40S-0.5SH](#) [FH28K-10S-0.5SH](#) [X05B20U43T](#) [0.5K-DX-30PWB](#) [DS1020-08-10VBT12](#) [X05A10L28G](#) [ECC2841061EU](#) [1.0K-DHQX-16PWB](#) [1.0K-DHQX-30PWB](#) [62674-241141ALF](#) [HFW18S-2STE9LF](#) [HFW8R-2STE9LF](#) [THD0310-51CL-GF](#) [THD0310-41CL-GF](#) [THD0310-31CL-GF](#) [THD0310-25CL-GF](#) [THD0310-35CL-GF](#) [THD0310-27CL-GF](#) [THD0310-21CL-GF](#) [THD0310-13CL-GF](#) [THD0310-17CL-GF](#) [THD0310-33CL-GF](#) [THD0310-23CL-GF](#) [CT10252-18R-00-D](#) [CT10252-16R-00-D](#) [THD0513-08CL-GF](#) [THD0513-24CL-GF](#) [THD0513-10CL-GF](#) [THD0513-30CL-GF](#) [THD0513-21CL-GF](#)