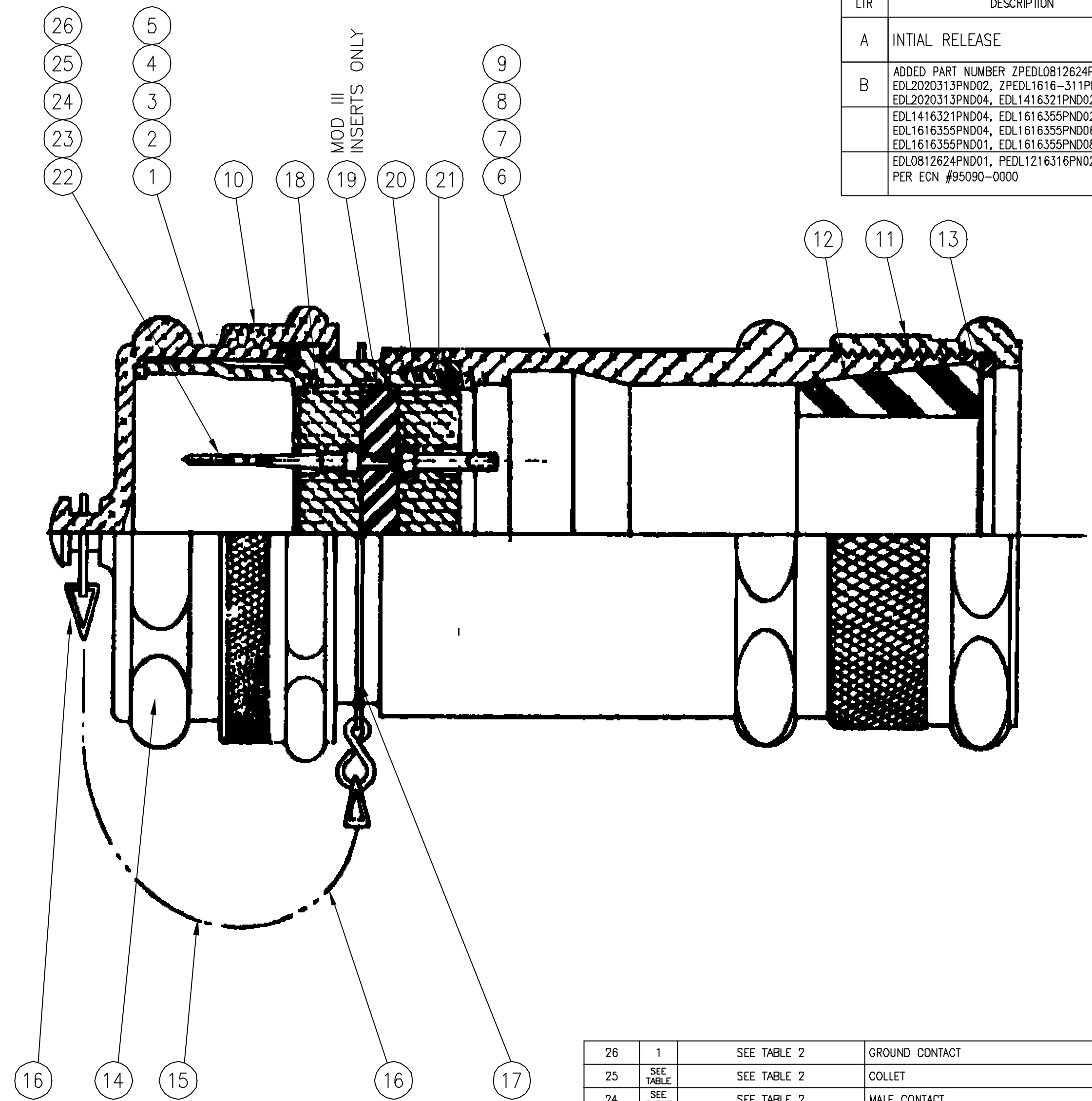
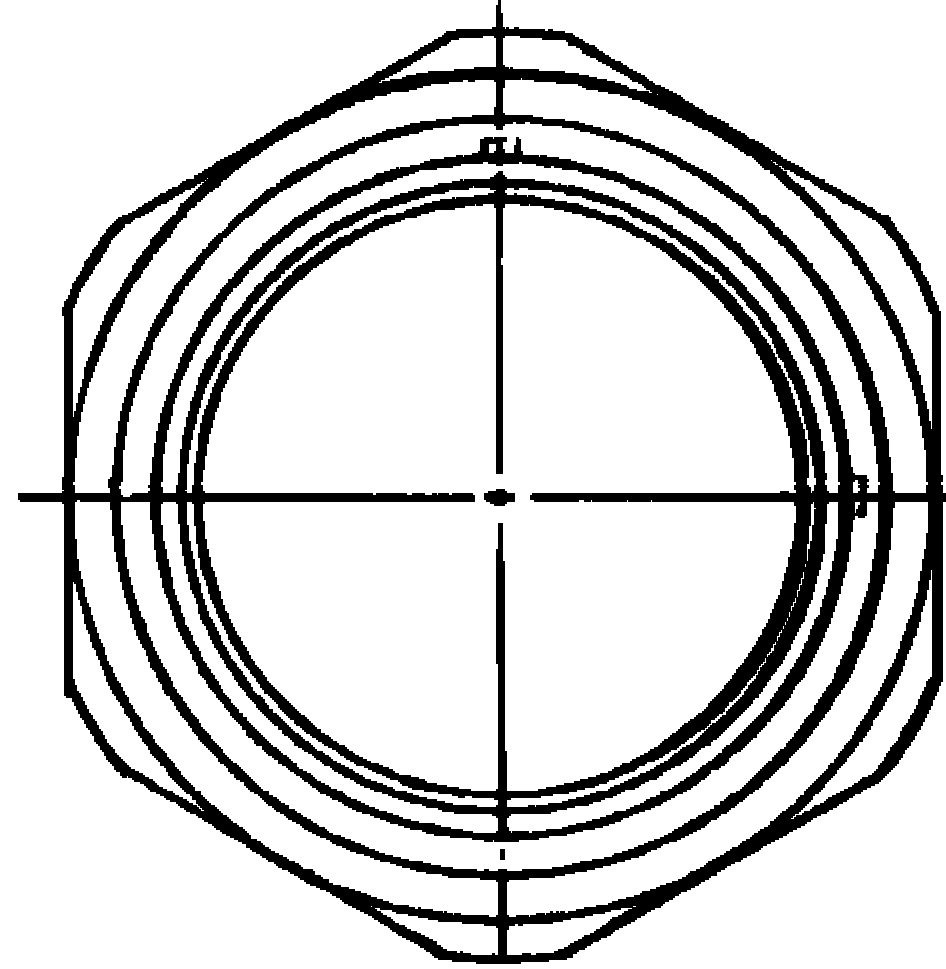


TABLE #1

Amphenol Part # Truncated	PART NUMBER FOR INK-STAMPING ONLY	Mod	Clocking Position	Shell Size	Grommet Size	Insert
ZPEDL0612-624PN	ZPEDL-0612-624PN	3	Normal	12	6	ZP-12-624PN
ZPEDL0812-614PN	ZPEDL-0812-614PN	3	Normal	12	8	ZP-12-614PN
PEDL0812614PN03	ZPEDL-0812-614PN-03	3	03	12	8	ZP-12-614PN
ZPEDL0812-624PN	ZPEDL-0812-624PN	3	Normal	12	8	ZP-12-624PN
PEDL0812624PN01	ZPEDL-0812-624PN-01	3	01	12	8	ZP-12-624PN
PEDL0812624PN02	ZPEDL-0812-624PN-02	3	02	12	8	ZP-12-624PN
ZPEDL0812624PND	ZPEDL-0812-624PND	3	Normal	12	8	ZP-12-624PND
EDL0812624PND01	ZPEDL-0812-624PND-01	3	01	12	8	ZP-12-624PND
ZPEDL1012-354PN	ZPEDL-1012-354PN	2	Normal	12	10	ZP-12-354PN
ZPEDL1012354PND	ZPEDL-1012-354PND	2	Normal	12	10	ZP-12-354PND
ZPEDL1012-355PN	ZPEDL-1012-355PN	2	Normal	12	10	ZP-12-355PN
ZPEDL1012355PND	ZPEDL-1012-355PND	2	Normal	12	10	ZP-12-355PND
ZPEDL1012-614PN	ZPEDL-1012-614PN	3	Normal	12	10	ZP-12-614PN
PEDL1012614PN01	ZPEDL-1012-614PN-01	3	01	12	10	ZP-12-614PN
ZPEDL1016-316PN	ZPEDL-1016-316PN	2	Normal	16	10	ZP-16-316PN
PEDL1016316PN01	ZPEDL-1016-316PN-01	2	01	16	10	ZP-16-316PN
ZPEDL1216-316PN	ZPEDL-1216-316PN	2	Normal	16	12	ZP-16-316PN
PEDL1216316PN01	ZPEDL-1216-316PN-01	2	01	16	12	ZP-16-316PN
PEDL1216316PN02	ZPEDL-1216-316PN-02	2	02	16	12	ZP-16-316PN
ZPEDL1216-628PN	ZPEDL-1216-628PN	3	Normal	16	12	ZP-16-628PN
ZPEDL1216-681PN	ZPEDL-1216-681PN	3	Normal	16	12	ZP-16-681PN
PEDL1216681PN01	ZPEDL-1216-681PN-01	3	01	16	12	ZP-16-681PN
ZPEDL1416321PND	ZPEDL-1416-321PND	2	Normal	16	14	ZP-16-321PND
EDL1416321PND02	ZPEDL-1416-321PND-02	2	02	16	14	ZP-16-321PND
EDL1416321PND04	ZPEDL-1416-321PND-04	2	04	16	14	ZP-16-321PND
EDL1416321PND06	ZPEDL-1416-321PND-06	2	06	16	14	ZP-16-321PND
EDL1416321PND08	ZPEDL-1416-321PND-08	2	08	16	14	ZP-16-321PND
ZPEDL1416355PND	ZPEDL-1416-355PND	2	Normal	16	14	ZP-16-355PND
EDL1416355PND02	ZPEDL-1416-355PND-02	2	02	16	14	ZP-16-355PND
ZPEDL1616-311PN	ZPEDL-1616-311PN	2	Normal	16	16	ZP-16-311PN
ZPEDL1616-322PN	ZPEDL-1616-322PN	2	Normal	16	16	ZP-16-322PN
ZPEDL1616335PND	ZPEDL-1616-335PND	2	Normal	16	16	ZP-16-335PND
ZPEDL1616355PND	ZPEDL-1616-355PND	2	Normal	16	16	ZP-16-355PND
EDL1616355PND01	ZPEDL-1616-355PND-01	2	01	16	16	ZP-16-355PND
EDL1616355PND02	ZPEDL-1616-355PND-02	2	02	16	16	ZP-16-355PND
EDL1616355PND04	ZPEDL-1616-355PND-04	2	04	16	16	ZP-16-355PND
EDL1616355PND06	ZPEDL-1616-355PND-06	2	06	16	16	ZP-16-355PND
EDL1616355PND08	ZPEDL-1616-355PND-08	2	08	16	16	ZP-16-355PND
EDL1616335PND02	ZPEDL-1616-335PND-02	2	02	16	16	ZP-16-335PND
EDL1416355PND01	ZPEDL-1416-355PND-01	2	01	16	14	ZP-16-355PND
EDL1416355PND06	ZPEDL-1416-355PND-06	2	06	16	14	ZP-16-355PND
ZPEDL1616377PND	ZPEDL-1616-377PND	2	Normal	16	16	ZP-16-377PND
EDL1816321PND02	ZPEDL-1816-321PND-02	2	02	16	18	ZP-16-321PND
ZPEDL1816335PND	ZPEDL-1816-335PND	2	Normal	16	18	ZP-16-335PND
ZPEDL1620-375PN	ZPEDL-1620-375PN	2	Normal	20	16	ZP-20-375PN
PEDL1620375PN01	ZPEDL-1620-375PN-01	2	01	20	16	ZP-20-375PN
ZPEDL2020313PND	ZPEDL-2020-313PND	2	Normal	20	20	ZP-20-313PND
EDL2020313PND02	ZPEDL-2020-313PND-02	2	02	20	20	ZP-20-313PND
EDL2020313PND04	ZPEDL-2020-313PND-04	2	04	20	20	ZP-20-313PND



REVISIONS		
LTR	DESCRIPTION	DATE
A	INITIAL RELEASE	05-21-04
B	ADDED PART NUMBER ZPEDL0812624PND EDL2020313PND02, ZPEDL1616-311PN, EDL2020313PND04, EDL1416321PND02 EDL1416321PND04, EDL1616355PND02 EDL1616355PND04, EDL1616355PND06 EDL1616355PND08, EDL1616355PND08 EDL0812624PND01, PEDL1216316PN02 PER ECN #95090-0000	07-13-04

NOTES:

1. INSERT CONFIGURATION TO BE SHOWN IN CATALOG.
SEE TABLE #1 FOR INSERT ASSEMBLY PART NUMBER.
2. KEY CLOCK POSITION TO BE SHOWN IN CATALOG.
SEE TABLE #1 FOR INSERT ASSEMBLY PART NUMBER.
3. SEE TABLE #2 FOR ALL PART NUMBERS.
4. INKSTAMP "PYLE", AMPHENOL PART NUMBER AND
DATE CODE ON PART, AS APPROPRIATE. SEE TABLE #1
FOR UNTRUNCATED AMPHENOL PART NUMBER.
5. PICTURE SHOWN MOD III INSERT.

POS	QTY	PART NUMBER	DESCRIPTION	NOTE
26	1	SEE TABLE 2	GROUND CONTACT	
25	SEE TABLE	SEE TABLE 2	COLLET	
24	SEE TABLE	SEE TABLE 2	MALE CONTACT	
23	SEE TABLE	SEE TABLE 2	COLLET	
22	SEE TABLE	SEE TABLE 2	MALE CONTACT	
21	1	SEE TABLE 2	INSERT SLEEVE	
20	1	SEE TABLE 2	BACKCAP	
19	1	SEE TABLE 2	MIDDLE INSULATION	
18	1	SEE TABLE 2	FRONT INSULATION	
17	1	SEE TABLE 2	RING	
16	2	SEE TABLE 2	S-HOOK	
15	1	SEE TABLE 2	SASH CHAIN	
14	1	SEE TABLE 2	COVER	
13	1	SEE TABLE 2	GLAND WASHER	
12	1	SEE TABLE 2	GROMMET	
11	1	SEE TABLE 2	GLAND NUT	
10	1	SEE TABLE 2	COUPLING NUT	
9	1	SEE TABLE 2	SLEEVE INSULATION	
8	1	SEE TABLE 2	ADAPTER WASHER	
7	1	SEE TABLE 2	ADAPTER SEAL	
6	1	SEE TABLE 2	CABLE ADAPTER	
5	1	SEE TABLE 2	FRONT SPRING	
4	1	SEE TABLE 2	SNAP RING	
3	1	SEE TABLE 2	INNER SHELL SEAL	
2	1	SEE TABLE 2	BARREL SEAL	
1	1	SEE TABLE 2	SHELL	

NOTES:

THIS DOCUMENT CONTAINS PROPRIETARY INFORMATION,
AND SUCH INFORMATION MAY NOT BE DISCLOSED TO OTHERS
FOR ANY PURPOSE OR USED FOR MANUFACTURING PURPOSES
WITHOUT WRITTEN PERMISSION FROM THE AMPHENOL CORP.

UNLESS OTHERWISE SPECIFIED		SPECIFICATIONS	
LINEAR DIMENSIONS ARE IN INCHES TOLERANCES: ? .XXXX = ±.0005 ANGLES = ±2' ? .XXX = ±.010 ? .XX = ±.03 ? .X = ±.1		MATERIAL SPEC.	
DIM. & TOL. PER ASME Y14.5M; DRM PER MIL-DTL-31000; OTHER AMPHENOL STDS. PER 9-3800 LEGENDS: =FLAG NOTE CALL OUT REFERENCE ONLY		PROCESS SPEC.	
9-9380 9-2811 9-3895		THIRD ANGLE PROJECTION	
APPROVALS	DATE	PARTS LIST	
DESIGNED BY A. POLISHAK	05-21-04	AMPHENOL CORPORATION 40-80 BELMONT AVENUE BOSTON, MA 02118	
ENGINEER IN CHARGE A. POLISHAK	05-21-04	STARLINE PLUG ASSEMBLY ZPEDL FAMILY DRAWING PIN INSERTS ONLY	
DESIGN MANAGER D. GALLUSSER	05-21-04		
DESIGN ACTIVITY GROUP C&I	05-21-04		
SEE	ONE CODE	DOCUMENT NO.	
D	1GK44	ZPEDL-()-()PN()	
SCALE: NONE		SHEET 1 OF 3	

FORMAT D-U_E-Rev_B

TABLE #2 CONTINUED

AMPHENOL PART #	POSITON NUMBER 18-26 ONLY (1-17 ON SHEET 2)											
	18 QTY - 1	19 QTY - 1	20 QTY - 1	21 QTY - 1	22 QTY	23 QTY	24 QTY	25 QTY	26 QTY - 1			
ZPEDL0612-624PN	ZP-3012-21F-00	ZP-3312-524D-00	ZP3412-524FB-00	ZP-8912-50A	ZP-4012-50L	5	ZP-4712-H	5				
ZPEDL0812-614PN	ZP-3012-16F-00	ZP-3312-516D	ZP-3412-516FB	ZP-8912-50A	ZP-4012-50L	3	ZP-4710-H	4				ZP-4810-50LK
PEDL0812614PN03	ZP-3012-16F-00	ZP-3312-516D	ZP-3412-516FB	ZP-8912-50A	ZP-4012-50L	3	ZP-4710-H	4				ZP-4810-50LK
ZPEDL0812-624PN	ZP-3012-21F-00	ZP-3312-524D-00	ZP3412-524FB-00	ZP-8912-50A	ZP-4012-50L	5	ZP-4712-H	5				
PEDL0812624PN01	ZP-3012-21F-00	ZP-3312-524D-00	ZP3412-524FB-00	ZP-8912-50A	ZP-4012-50L	5	ZP-4712-H	5				
PEDL0812624PN02	ZP-3012-21F-00	ZP-3312-524D-00	ZP3412-524FB-00	ZP-8912-50A	ZP-4012-50L	5	ZP-4712-H	5				
ZPEDL0812624PND	ZP-3012-21F-00	ZP-3312-524D-00	ZP3412-524FB-00	ZP-8912-50A	ZP-4012-50LD	5	ZP-4712-H	5				
EDL0812624PND01	ZP-3012-21F-00	ZP-3312-524D-00	ZP3412-524FB-00	ZP-8912-50A	ZP-4012-50LD	5	ZP-4712-H	5				
ZPEDL1012-354PN	ZP-3012-210F-00		ZP-3412-210A-00	ZP-8212-15H	ZP-4012-36L	7						
ZPEDL1012354PND	ZP-3012-210F-00		ZP-3412-210A-00	ZP-8212-15H	ZP-4012-36LD	7						
ZPEDL1012-355PN	ZP-3012-217F-00		ZP-3412-217A-00	ZP-8212-15H	ZP-4016-36L	10						
ZPEDL1012355PND	ZP-3012-217F-00		ZP-3412-217A-00	ZP-8212-15H	ZP-4016-36LD	10						
ZPEDL1012-614PN	ZP-3012-16F-00	ZP-3312-516D	ZP-3412-516FB	ZP-8912-50A	ZP-4010-50L	3	ZP-4710-H	4				ZP-4810-50LK
PEDL1012614PN01	ZP-3012-16F-00	ZP-3312-516D	ZP-3412-516FB	ZP-8912-50A	ZP-4012-50L	3	ZP-4710-H	4				ZP-4810-50LK
ZPEDL1016-316PN	ZP-3016-216F-00		ZP-3416-245A-00	ZP-8216-15H	ZP-4008-66L	5						
PEDL1016316PN01	ZP-3016-216F-00		ZP-3416-245A-00	ZP-8216-15H	ZP-4008-66L	5						
ZPEDL1216-316PN	ZP-3016-216F-00		ZP-3416-245A-00	ZP-8216-15H	ZP-4008-66L	5						
PEDL1216316PN01	ZP-3016-216F-00		ZP-3416-245A-00	ZP-8216-15H	ZP-4008-66L	5						
PEDL1216316PN02	ZP-3016-216F-00		ZP-3416-245A-00	ZP-8216-15H	ZP-4008-66L	5						
ZPEDL1216-628PN	ZP-3016-26F-00	ZP-3316-528D-00	ZP-3416-528FB	ZP-8916-50A	ZP-4008-50L	4	ZP-4708-H	4				
ZPEDL1216-681PN	ZP-3016-581F-00	ZP-3316-581D-00	ZP3416-581FB-00	ZP-8916-50A	ZP-4010-50L	4	ZP-4710-H	4	ZP-4012-50L	6	ZP-4712-H	6
PEDL1216681PN01	ZP-3016-581F-00	ZP-3316-581D-00	ZP3416-581FB-00	ZP-8916-50A	ZP-4010-50L	4	ZP-4710-H	4	ZP-4012-50L	6	ZP-4712-H	6
ZPEDL1416321PND	ZP-3016-221F-00		ZP-3416-221A-00	ZP-8216-15H	ZP-4016-36LD	37						
EDL1416321PND02	ZP-3016-221F-00		ZP-3416-221A-00	ZP-8216-15H	ZP-4016-36LD	37						
EDL1416321PND04	ZP-3016-221F-00		ZP-3416-221A-00	ZP-8216-15H	ZP-4016-36LD	37						
EDL1416321PND06	ZP-3016-221F-00		ZP-3416-221A-00	ZP-8216-15H	ZP-4016-36LD	37						
EDL1416321PND08	ZP-3016-221F-00		ZP-3416-221A-00	ZP-8216-15H	ZP-4016-36LD	37						
ZPEDL1416355PND	ZP-3016-255F-00		ZP-3416-255A-00	ZP-8216-15H	ZP-4016-36LD	19						
EDL1416355PND02	ZP-3016-255F-00		ZP-3416-255A-00	ZP-8216-15H	ZP-4016-36LD	19						
ZPEDL1616-311PN	ZP-3016-211F-00		ZP-3416-211A-00	ZP-8216-15H	ZP-4012-36L	19						
ZPEDL1616-322PN	ZP-3016-222F-00		ZP-3416-222A-00	ZP-8216-15H	ZP-4004-66L	3						
ZPEDL1616335PND	ZP-3016-235F-00		ZP-3416-235A-00	ZP-8216-15H	ZP-4016-36LD	24	ZP-4012-36LD	3				ZP-4804-66LK
ZPEDL1616355PND	ZP-3016-255F-00		ZP-3416-255A-00	ZP-8216-15H	ZP-4016-36LD	19						
EDL1616355PND01	ZP-3016-255F-00		ZP-3416-255A-00	ZP-8216-15H	ZP-4016-36LD	19						
EDL1616355PND02	ZP-3016-255F-00		ZP-3416-255A-00	ZP-8216-15H	ZP-4016-36LD	19						
EDL1616355PND04	ZP-3016-255F-00		ZP-3416-255A-00	ZP-8216-15H	ZP-4016-36LD	19						
EDL1616355PND06	ZP-3016-255F-00		ZP-3416-255A-00	ZP-8216-15H	ZP-4016-36LD	19						
EDL1616355PND08	ZP-3016-255F-00		ZP-3416-255A-00	ZP-8216-15H	ZP-4016-36LD	19						
EDL1616335PND02	ZP-3016-235F-00		ZP-3416-235A-00	ZP-8216-15H	ZP-4016-36LD	24	ZP-4012-36LD	3				
EDL1416355PND01	ZP-3016-255F-00		ZP-3416-255A-00	ZP-8216-15H	ZP-4016-36LD	19						
EDL1416355PND06	ZP-3016-255F-00		ZP-3416-255A-00	ZP-8216-15H	ZP-4016-36LD	19						
ZPEDL1616377PND	ZP-3016-211F-00		ZP-3416-211A-00	ZP-8216-15H	ZP-4012-36LD	19						
EDL1816321PND02	ZP-3016-221F-00		ZP-3416-221A-00	ZP-8216-15H	ZP-4016-36LD	37						
ZPEDL1816335PND	ZP-3016-235F-00		ZP-3416-235A-00	ZP-8216-15H	ZP-4016-36LD	24	ZP-4012-36LD	3				
ZPEDL1620-375PN	ZP-3020-275F-00		ZP-3420-275A-00	ZP-8220-15H	ZP-4010-36L	12						
PEDL1620375PN01	ZP-3020-275F-00		ZP-3420-275A-00	ZP-8220-15H	ZP-4010-36L	12						
ZPEDL2020313PND	ZP-3020-213F-00		ZP-3420-213A-00	ZP-8220-15H	ZP-4016-36LD	68						
EDL2020313PND02	ZP-3020-213F-00		ZP-3420-213A-00	ZP-8220-15H	ZP-4016-36LD	68						
EDL2020313PND04	ZP-3020-213F-00		ZP-3420-213A-00	ZP-8220-15H	ZP-4016-36LD	68						

NOTES:
 THIS DOCUMENT CONTAINS PROPRIETARY INFORMATION, AND SUCH INFORMATION MAY NOT BE DISCLOSED TO OTHERS FOR ANY PURPOSE OR USED FOR MANUFACTURING PURPOSES WITHOUT WRITTEN PERMISSION FROM THE AMPHENOL CORP.

X-ON Electronics

Largest Supplier of Electrical and Electronic Components

Click to view similar products for [Circular MIL Spec Connector](#) category:

Click to view products by [Amphenol](#) manufacturer:

Other Similar products are found below :

[0025-262-542](#) [0025-264-3014](#) [58-570121-04S](#) [0134-202-1200](#) [0134-207-1206](#) [0134-207-1800](#) [0134-207-2207](#) [0134-213-0806](#) [0134-213-1007](#) [0134-213-1009](#) [0134-213-1208](#) [0134-213-1800](#) [0134-213-2209](#) [0025-258-000](#) [015-9516-002](#) [60-042722-19P](#) [0114-201-1278](#) [602GB06EG24-61SN](#) [0134-201-1207](#) [0134-201-1806](#) [0134-201-2006](#) [0134-201-2007](#) [0134-201-2010](#) [0134-202-1400](#) [0134-207-0809](#) [0134-207-1208](#) [0134-207-2009](#) [0134-213-1006](#) [6104-207-2302](#) [6104-208-1902](#) [6104-215-0902](#) [6131-202-19149P](#) [6131-204-21149P](#) [6131-207-13149P](#) [6131-208-13149P](#) [6131-209-17149P](#) [6131-210-11149P](#) [6131-211-19149P](#) [6131-216-19149P](#) [6131-220-25149P](#) [6131-259-11149P](#) [6131-259-21149P](#) [6131-259-23149P](#) [6131-263-19149P](#) [6131-265-17149P](#) [6131-265-19149P](#) [CS3102A-20-15P](#) [CS3102A-20-15S](#) [CS3102C18-4P-472](#) [CS3106A-20-29P](#)