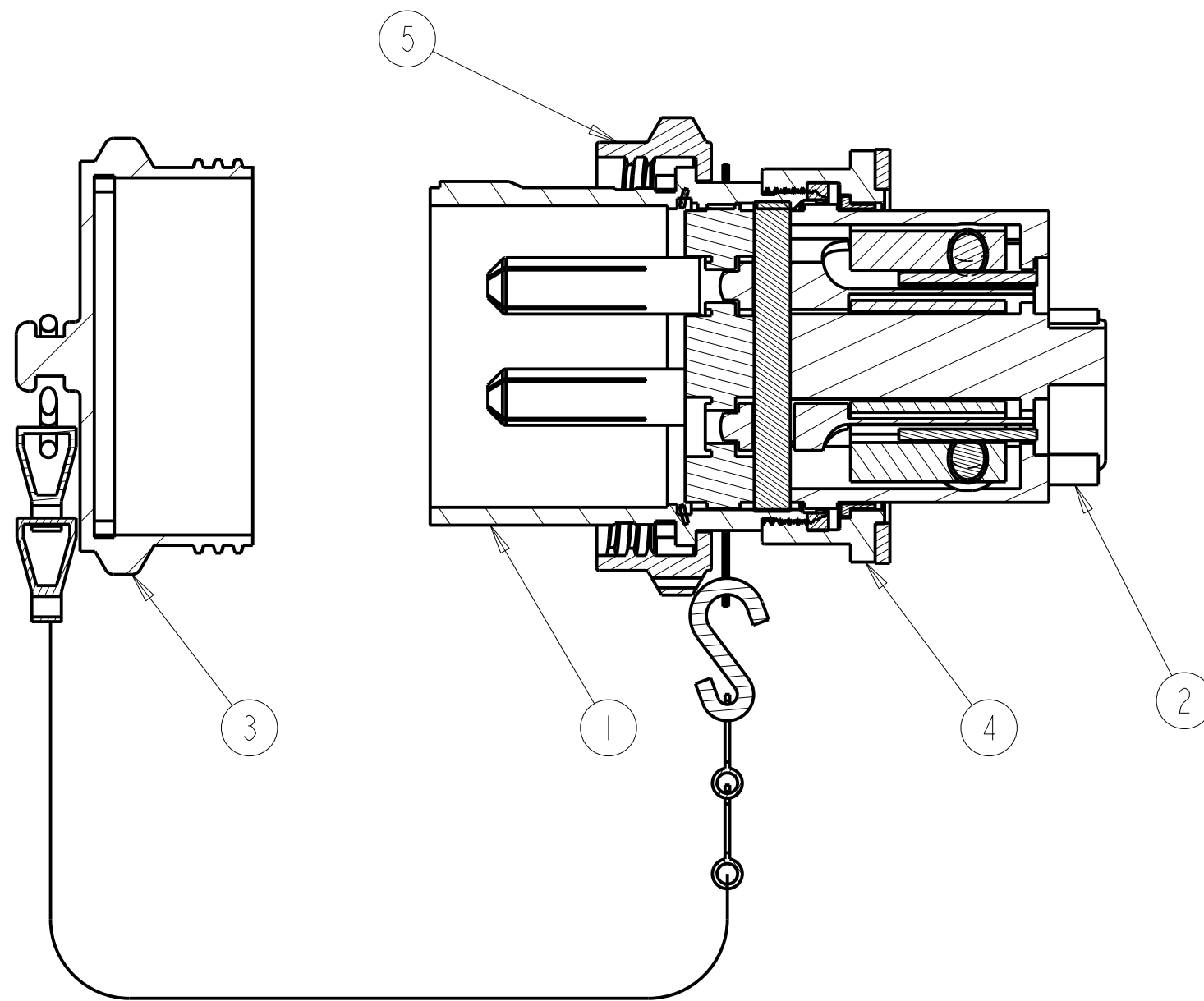
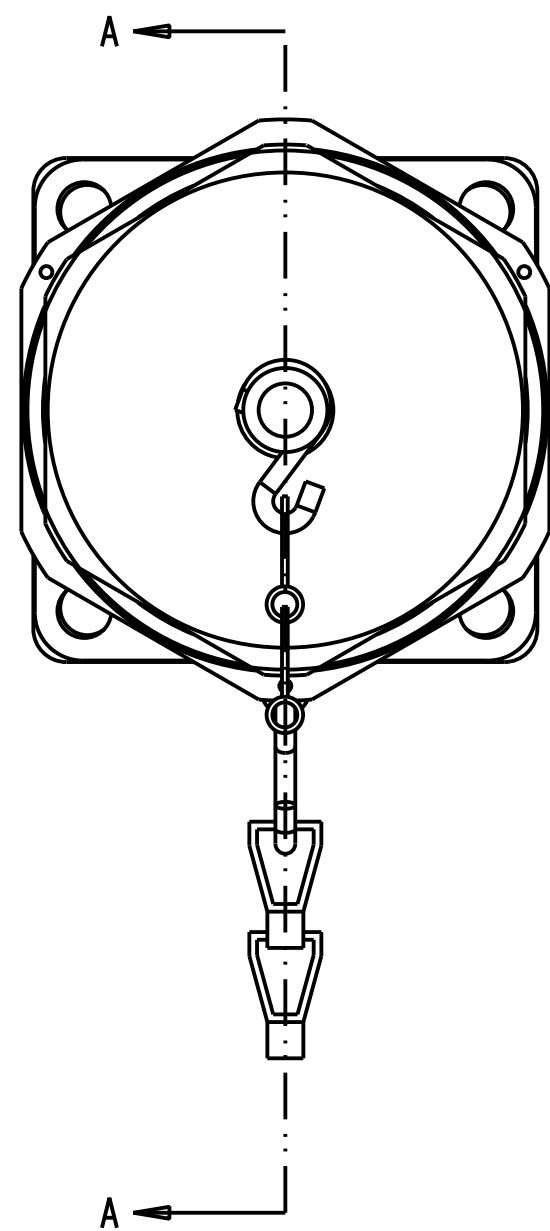
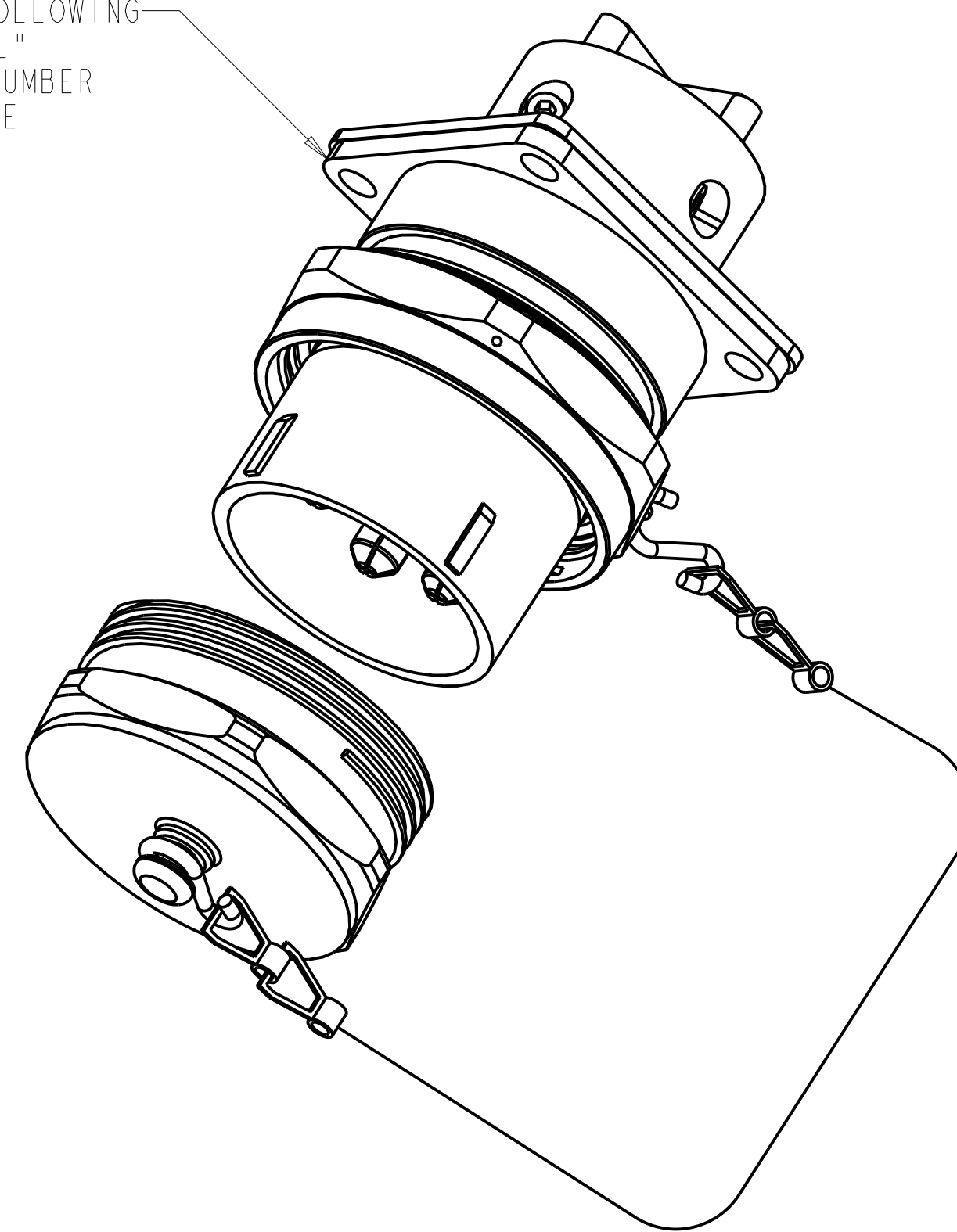


DOCUMENT NO. ZPEP-()-()		SHEET 1 OF 1	
REVISIONS			
LTR	DESCRIPTION	DATE	
A	INITIAL RELEASE	08-10-2010	

DOCUMENT NO.
ZPEP-()-()
SHEET 1 OF 1
REV.
A



INKSTAMP THE FOLLOWING
"AMPHENOL"
CODED PART NUMBER
DATE CODE



POS	QTY	PART NUMBER	DESCRIPTION	NOTE
5	1	ZP-70()-10A	COUPLING NUT	
4	1	ZP-W-21()	ADAPTER SUB-ASSEMBLY	
3	1	ZP-C-55()-A	COVER SUB-ASSEMBLY	
2	1	SEE PARTS LIST	INSERT SUB-ASSEMBLY	
1	1	ZP-C-13()	BARREL SUB-ASSEMBLY	

NOTES:

THE USE OF THIS DOCUMENT IS UNLIMITED. HOWEVER, DOCUMENTS REFERENCED HEREON MAY CONTAIN LIMITED RIGHTS DATA.

N/A	PRO/ENGINEER INFORMATION
N/A	Pro/e Model Used: ZPEP-C20-40PR.ASSEM
N/A	Drawing Name: ZPEP-C20-40PR
N/A	NEXT ASSEMBLY

UNLESS OTHERWISE SPECIFIED

LINEAR DIMENSIONS ARE IN INCHES
TOLERANCES:
.XXXX = ±.0005 ANGLES= ±2°
.XXX = ±.010
.XX = ±.03
.X = ±.1

DIM. & TOL. PER ASME Y14.5M;
DRM PER MIL-DTL-31000;
OTHER Amphenol Sds. PER 9-3800
LEGENDS:
=FLAG NOTE CALL OUT
REFERENCE ONLY

SPECIFICATIONS

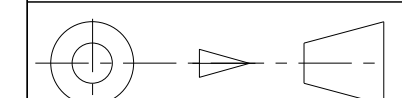
MATERIAL SPEC.
N/A

PROCESS SPEC.

9-2811
9-3895
9-9380

APPROVALS	DATE
PREPARED BY N. VERDUZCO	10-Aug-10
ENGINEER IN CHARGE R. ARCYKIEWICZ	
DESIGN MANAGER R. BARNES	
DESIGN ACTIVITY GROUP C3	

THIRD ANGLE PROJECTION



PARTS LIST

AMPHENOL CORPORATION
40-60 DELAWARE AVENUE
SIDNEY, N.Y. 13838

CONNECTOR ASSEMBLY
SIZE (), INSERT ARRANGEMENT ()
PANEL MOUNT RECEPTACLE

SIZE C	CAGE CODE 77820	DOCUMENT NO. ZPEP-()-()	REV. A
SCALE: 1.0		REF: ZPEP-20-84P	SHEET 1 OF 1

DOCUMENT NO.
ZPEP-()-()

SHEET 1 OF 1

REV.
A

X-ON Electronics

Largest Supplier of Electrical and Electronic Components

Click to view similar products for [Circular MIL Spec Connector](#) category:

Click to view products by [Amphenol](#) manufacturer:

Other Similar products are found below :

[0025-262-542](#) [0025-264-3014](#) [58-570121-04S](#) [0134-202-1200](#) [0134-207-1206](#) [0134-207-1800](#) [0134-207-2207](#) [0134-213-0806](#) [0134-213-1007](#) [0134-213-1009](#) [0134-213-1208](#) [0134-213-1800](#) [0134-213-2209](#) [0025-258-000](#) [015-9516-002](#) [60-042722-19P](#) [0114-201-1278](#)
[602GB06EG24-61SN](#) [0134-201-1207](#) [0134-201-1806](#) [0134-201-2006](#) [0134-201-2007](#) [0134-201-2010](#) [0134-202-1400](#) [0134-207-0809](#) [0134-207-1208](#) [0134-207-2009](#) [0134-213-1006](#) [6104-207-2302](#) [6104-208-1902](#) [6131-202-19149P](#) [6131-204-21149P](#) [6131-207-13149P](#) [6131-208-13149P](#) [6131-209-17149P](#) [6131-210-11149P](#) [6131-211-19149P](#) [6131-216-19149P](#) [6131-220-25149P](#) [6131-259-11149P](#) [6131-259-21149P](#)
[6131-259-23149P](#) [6131-263-19149P](#) [6131-265-17149P](#) [6131-265-19149P](#) [CS3102A-20-15P](#) [CS3102A-20-15S](#) [CS3102C18-4P-472](#)
[CS3106A-20-29P](#) [CS3106A-20-74P](#)