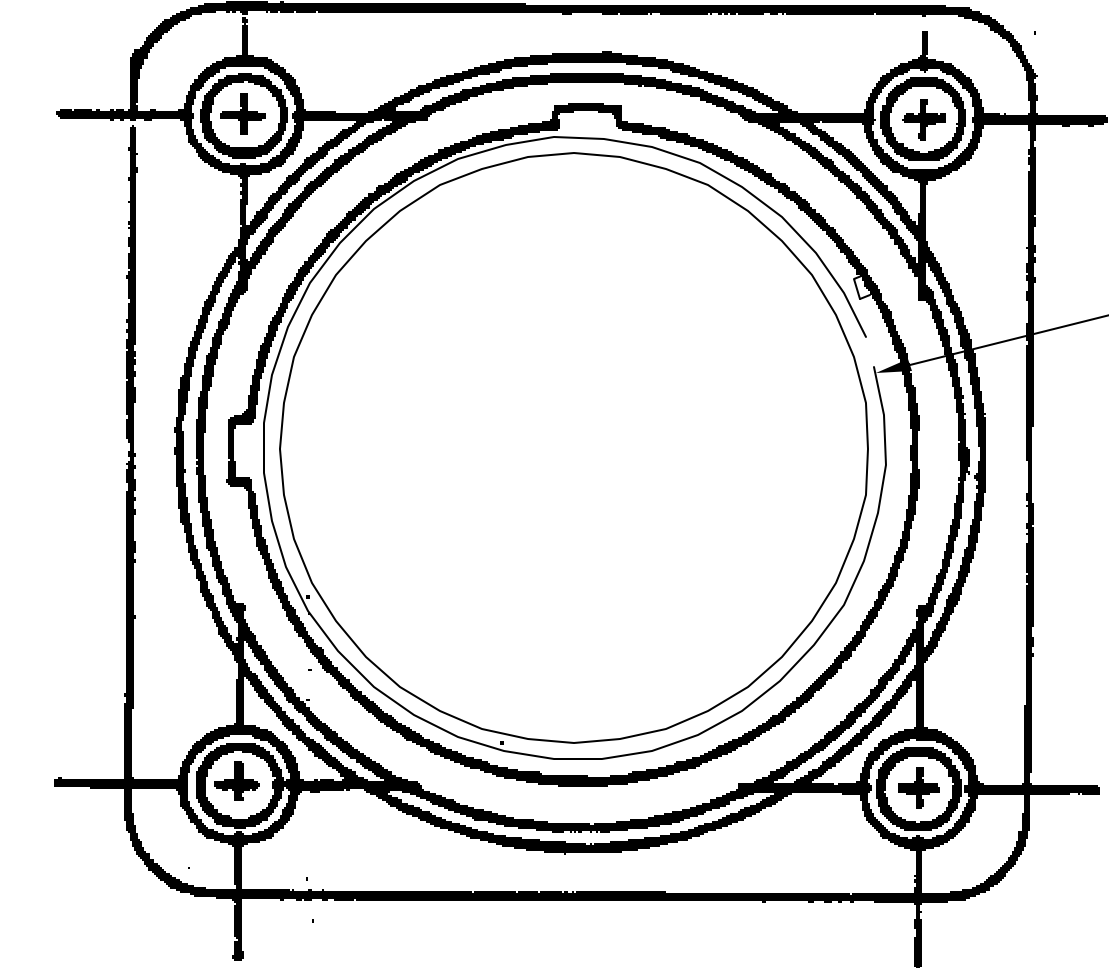


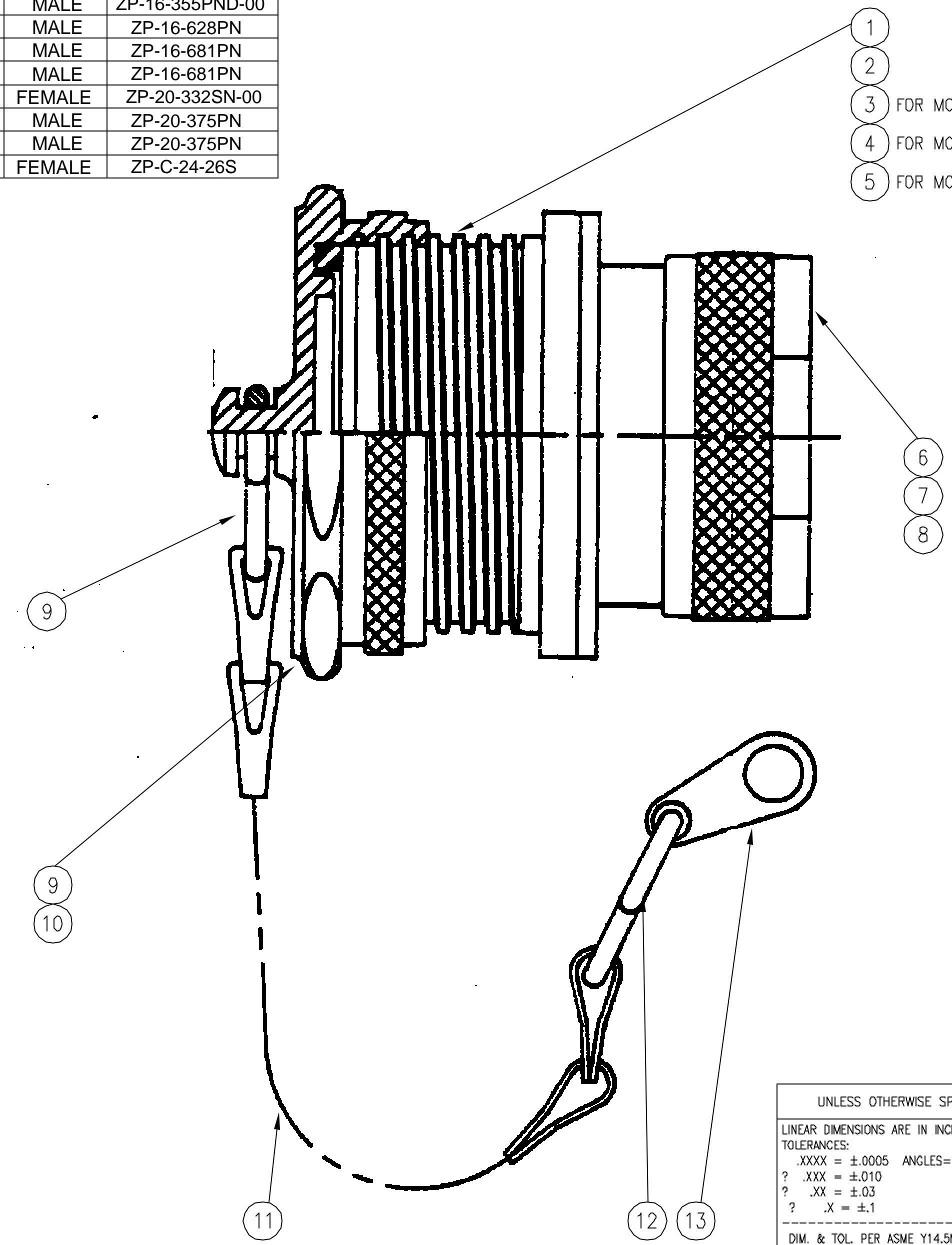
TABLE #1

Amphenol Part # Truncated	PART NUMBER FOR INK-STAMPING ONLY	Mod	Clocking Position	Shell Size	Male or Female	Insert
ZREP-12-27S	ZREP-12-27S	1	Normal	12	FEMALE	ZP-12-27S
ZREP-12-33S	ZREP-12-33S	1	Normal	12	FEMALE	ZP-12-33S
ZREP-12-33SNK	ZREP-12-33SNK	2	Normal	12	FEMALE	ZP-12-33S
ZREP-12-354PN	ZREP-12-354PN	2	Normal	12	MALE	ZP-12-354PN
ZREP-12-354PND	ZREP-12-354PND	2	Normal	12	MALE	ZP-12-354PND
ZREP-12-354SN	ZREP-12-354SN	2	Normal	12	MALE	ZP-12-354SN
ZREP-12-355PN	ZREP-12-355PN	2	Normal	12	MALE	ZP-12-355PN-00
ZREP-12-355PND	ZREP-12-355PND	2	Normal	12	MALE	ZP-12-355PND-00
ZREP-12-614PN	ZREP-12-614PN	3	Normal	12	MALE	ZP-12-614PN
ZREP12-614PN-03	ZREP-12-614PN-03	3	03	12	MALE	ZP-12-614PN
ZREP12-624PN-02	ZREP-12-624PN-02	3	02	12	MALE	ZP-12-624PN
ZREP12624SND-01	ZREP-12-624SND-01	3	01	12	FEMALE	ZP-12-624SN
ZREP-16-311PN	ZREP-16-311PN	2	Normal	16	MALE	ZP-16-311PN-00
ZREP-16-316PN01	ZREP-16-316PN-01	2	01	16	MALE	ZP-16-316PN
ZREP-16-316SNK	ZREP-16-316SNK	2	Normal	16	FEMALE	ZP-16-316SNK
ZREP-16-321PND	ZREP-16-321PND	2	Normal	16	MALE	ZP-16-321PND
ZREP16321PND-01	ZREP-16-321PND-01	2	01	16	MALE	ZP-16-321PND
ZREP16321PND-02	ZREP-16-321PND-02	2	02	16	MALE	ZP-16-321PND
ZREP-16-335PND	ZREP-16-335PND	2	Normal	16	MALE	ZP-16-335PND-00
ZREP16-335PND01	ZREP-16-335PND-01	2	01	16	MALE	ZP-16-335PND-00
ZREP16-335PND02	ZREP-16-335PND-02	2	02	16	MALE	ZP-16-335PND-00
ZREP16-335SND02	ZREP-16-335SND02	2	02	16	FEMALE	ZP-16-335SND-00
ZREP-16-355PN	ZREP-16-355PN	2	Normal	16	MALE	ZP-16-355PN
ZREP-16-355PND	ZREP-16-355PND	2	Normal	16	MALE	ZP-16-355PND-00
ZREP16-355PND01	ZREP-16-355PND	2	Normal	16	MALE	ZP-16-355PND-00
ZREP16-355PND08	ZREP-16-355PND	2	01	16	MALE	ZP-16-355PND-00
ZREP-16-628PN	ZREP-16-628PN	3	Normal	16	MALE	ZP-16-628PN
ZREP-16-681PN	ZREP-16-681PN	3	Normal	16	MALE	ZP-16-681PN
ZREP16-681PN-01	ZREP-16-681PN-01	3	01	16	MALE	ZP-16-681PN
ZREP-20-332SN01	ZREP-20-332SN01	3	01	20	FEMALE	ZP-20-332SN-00
ZREP-20-375PN	ZREP-20-375PN	2	Normal	20	MALE	ZP-20-375PN
ZREP-20-375PN01	ZREP-20-375PN-01	2	01	20	MALE	ZP-20-375PN
ZREP-C24-26S	ZREP-C24-26S	1	Normal	24	FEMALE	ZP-C-24-26S

REVISIONS		
LTR	DESCRIPTION	DATE
A	INITIAL RELEASE	07-19-04
B	ADDED ASSEMBLY PART NUMBERS ZREP-C24-26S & ZREP-12-33S ZREP-12-354PND, ZREP-12-355PND ZREP-12-614PN, ZREP16-316PN-01 ZREP16-335PND02, ZREP16-355PND ZREP16-355PND01, ZREP16-355PND08 ZREP-20-375PN, ZREP-20-375PN01 PER ECN 95373-0000	07-29-04
C	ADDED ASSEMBLY PART NUMBERS ZREP-12-354PN, ZREP-12-355PN ZREP12-614PN-03, ZREP12-624PN-02 ZREP12624SND-01, ZREP-16-311PN ZREP-16-321PND, ZREP16321PND-01 ZREP-16-628PN, ZREP16-681PN-01 CHANGED PART NUMBER FROM ZREP16-316PN-01 TO ZREP-16-316PN01 PER ECN 95596-0000	08-31-04
D	ADDED ASSEMBLY PART NUMBER ZREP-12-27S, ZREP-20-332SN01, REP-12-354SN, ZREP-12-335SNK, ZREP16-335PND01 & ZREP16-335SND02 PER ECN 95660-0000	06-28-05
E	ADDED ASSEMBLY PART NUMBER ZREP-16-355PN PER ECN 98877-0000	01-19-06



- 14
- 15 FOR MOD 3 ONLY
- 16
- 17
- 18
- 19 IF NEEDED
- 20 IF NEEDED
- 21 IF NEEDED
- 22 IF NEEDED
- 23 IF NEEDED
- 24 IF NEEDED



- 1
- 2
- 3 FOR MOD 3 ONLY
- 4 FOR MOD 2 ONLY
- 5 FOR MOD 2 ONLY
- 6
- 7
- 8

- NOTES:
- INSERT CONFIGURATION TO BE SHOWN IN CATALOG. SEE TABLE #1 FOR INSERT ASSEMBLY PART NUMBER.
 - KEY CLOCK POSITION TO BE SHOWN IN CATALOG. SEE TABLE #1 FOR INSERT ASSEMBLY CLOCKING.
 - SEE TABLE #2 FOR ALL PART NUMBERS.
 - INKSTAMP "PYLE", AMPHENOL PART NUMBER AND DATE CODE ON PART, AS APPROPRIATE. SEE TABLE #1 FOR UNTRUNCATED AMPHENOL PART NUMBER.
 - PICTURE SHOWN FOR REPRESENTATION PURPOSES ONLY.

NOTES:
THIS DOCUMENT CONTAINS PROPRIETARY INFORMATION, AND SUCH INFORMATION MAY NOT BE DISCLOSED TO OTHERS FOR ANY PURPOSE OR USED FOR MANUFACTURING PURPOSES WITHOUT WRITTEN PERMISSION FROM THE AMPHENOL CORP.

POS	QTY	PART NUMBER	DESCRIPTION	NOTE
24	SEE TABLE	SEE TABLE 2	GROUND CONTACT	
23	SEE TABLE	SEE TABLE 2	SET SCREW ASSEMBLY	
22	SEE TABLE	SEE TABLE 2	WIRE CLAMP	
21	SEE TABLE	SEE TABLE 2	COLLET	
20	SEE TABLE	SEE TABLE 2	CONTACT	
19	SEE TABLE	SEE TABLE 2	COLLET	
18	SEE TABLE	SEE TABLE 2	CONTACT	
17	1	SEE TABLE 2	BACKCAP SLEEVE	
16	1	SEE TABLE 2	BACKCAP	
15	1	SEE TABLE 2	RESILIENT INSULATION	
14	1	SEE TABLE 2	FRONT INSULATION	
13	1	SEE TABLE 2	EYELET	
12	2	SEE TABLE 2	S-HOOK	
11	1	SEE TABLE 2	SASH CHAIN	
10	1	SEE TABLE 2	SEAL, BARREL	
9	1	SEE TABLE 2	COVER	
8	1	SEE TABLE 2	SNAP RING	
7	1	SEE TABLE 2	WASHER	
6	1	SEE TABLE 2	CLAMP NUT	
5	1	SEE TABLE 2	SNAP RING	
4	1	SEE TABLE 2	INNER SEAL	
3	1	SEE TABLE 2	FRONT SPRING	
2	1	SEE TABLE 2	GASKET	
1	1	SEE TABLE 2	RECEPTACLE SHELL	

UNLESS OTHERWISE SPECIFIED		SPECIFICATIONS		APPROVALS		DATE	
LINEAR DIMENSIONS ARE IN INCHES		MATERIAL SPEC.		DESIGNED BY: A. POLISHAK		07-19-04	
TOLERANCES:				CHECKED IN DWG: A. POLISHAK		07-19-04	
.XXXX = ±.0005				DRAWN BY: D. GALLUSSER		07-19-04	
.XXX = ±.010				DESIGN GROUP: C&I		07-19-04	
.XX = ±.03							
.X = ±.1							
DIM. & TOL. PER ASME Y14.5M;		PROCESS SPEC.		THIRD ANGLE PROJECTION			
DRM PER MIL-DTL-31000;		9-9380					
OTHER AMPHENOL STDS. PER 9-3800		9-2811, 9-3895					
LEGENDS:		E3-22.02					
-FLAG NOTE CALL OUT REFERENCE ONLY							

FORMAT D-U-E-Rev.LB

REVISIONS SHEET 1 OF 1 ZREP-()-()

X-ON Electronics

Largest Supplier of Electrical and Electronic Components

Click to view similar products for [Circular MIL Spec Connector](#) category:

Click to view products by [Amphenol](#) manufacturer:

Other Similar products are found below :

[0025-262-542](#) [0025-264-3014](#) [58-570121-04S](#) [0134-202-1200](#) [0134-207-1206](#) [0134-207-1800](#) [0134-207-2207](#) [0134-213-0806](#) [0134-213-1007](#) [0134-213-1009](#) [0134-213-1208](#) [0134-213-1800](#) [0134-213-2209](#) [0025-258-000](#) [015-9516-002](#) [60-042722-19P](#) [0114-201-1278](#) [602GB06EG24-61SN](#) [0134-201-1207](#) [0134-201-1806](#) [0134-201-2006](#) [0134-201-2007](#) [0134-201-2010](#) [0134-202-1400](#) [0134-207-0809](#) [0134-207-1208](#) [0134-207-2009](#) [0134-213-1006](#) [6104-207-2302](#) [6104-208-1902](#) [6131-202-19149P](#) [6131-204-21149P](#) [6131-207-13149P](#) [6131-208-13149P](#) [6131-209-17149P](#) [6131-210-11149P](#) [6131-211-19149P](#) [6131-216-19149P](#) [6131-220-25149P](#) [6131-259-11149P](#) [6131-259-21149P](#) [6131-259-23149P](#) [6131-263-19149P](#) [6131-265-17149P](#) [6131-265-19149P](#) [CS3102A-20-15P](#) [CS3102A-20-15S](#) [CS3102C18-4P-472](#) [CS3106A-20-29P](#) [CS3106A-20-74P](#)