



User Manual – AS5510 Adapterboard

AS5510

**10-bit Linear Incremental Position Sensor with Digital
Angle output**

Table of Contents

1	General Description	3
2	Board Description.....	3
3	Pinout	4
4	Mounting the AS5510 Adapterboard.....	5
5	Connecting the AS5510-AB	7
6	Software example	8
7	Schematic and Layout	10
8	Ordering Information	10
9	Copyright.....	11
10	Disclaimer	11
11	Contact Information.....	11

Revision History

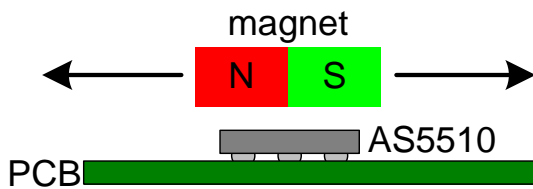
Revision	Date	Owner	Description
1.0	1.09.2009		Initial revision
1.1	28.11.2012		Update
1.2	21.08.2013	AZEN	Template Update, Figure Change

1 General Description

The AS5510 is a linear Hall sensor with 10 bit resolution and I²C interface. It can measure absolute position of lateral movement of a simple 2-pole magnet. The typical arrangement is shown below in (Figure 1).

Depending on the magnet size, a lateral stroke of 0.5~2mm can be measured with air gaps around 1.0mm. To conserve power, the AS5510 may be switched to a power down state when it is not used.

Figure 1:
Linear Position Sensor AS5510 + Magnet

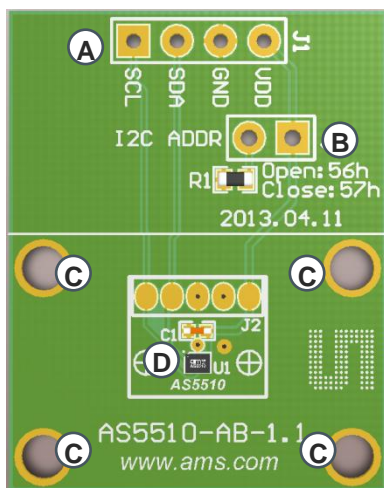


2 Board Description

The AS5510 adapter board is a simple circuit allowing to test and evaluate the AS5510 linear encoder quickly without having to build a test fixture or PCB.

The adapterboard must be attached to a microcontroller via the I²C bus, and supplied with a voltage of 2.5V ~ 3.6V. A simple 2-pole magnet is placed on the top of the encoder.

Figure 2:
AS5510 adapter board mounting and dimension



- (A) (A) I²C and Power Supply Connector
- (B) I²C Address selector
 - Open: 56h (default)
 - Closed: 57h
- (C) Mounting holes 4x2.6mm
- (D) AS5510 Linear Position Sensor

3 Pinout

The AS5510 is available in a 6-pin Chip Scale Package with a ball pitch of 400µm.

Figure 2:
Pin Configuration of AS5510 (Top View)

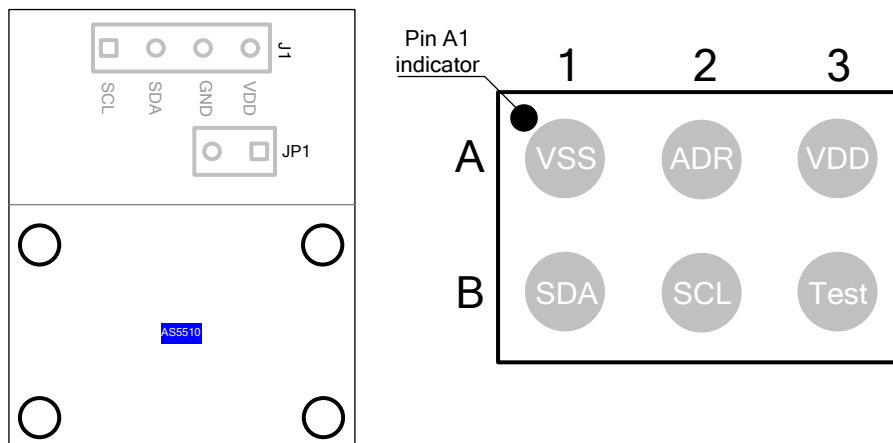


Table 1:
Pin Description

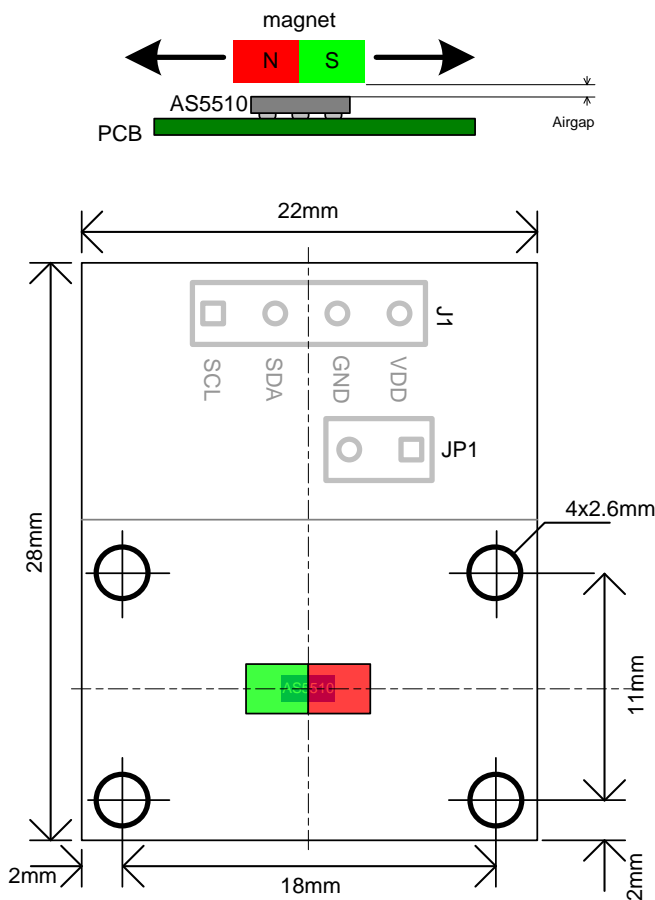
Pin AB board	Pin AS5510	Symbol	Type	Description
J1: pin 3	A1	VSS	S	Negative supply pin, analog and digital ground.
JP1: pin 2	A2	ADR	DI	I ² C address selection pin. Pull down by default (56h). Close JP1 for (57h).
J1: pin 4	A3	VDD	S	Positive supply pin, 2.5V ~ 3.6V
J1: pin 2	B1	SDA	DI/DO_OD	I ² C data I/O, 20mA driving capability
J1: pin 1	B2	SCL	DI	I ² C clock
n.c.	B3	Test	DIO	Test pin, connected to VSS

DO_OD ... digital output open drain
 DI ... digital input
 DIO ... digital input/output
 S ... supply pin

4 Mounting the AS5510 Adapterboard

The AS5510-AB can be fixed to an existing mechanical system by its four mounting holes. A simple 2-poles magnet placed over or under the IC can be used.

Figure 3:
AS5510 adapter board mounting and dimension



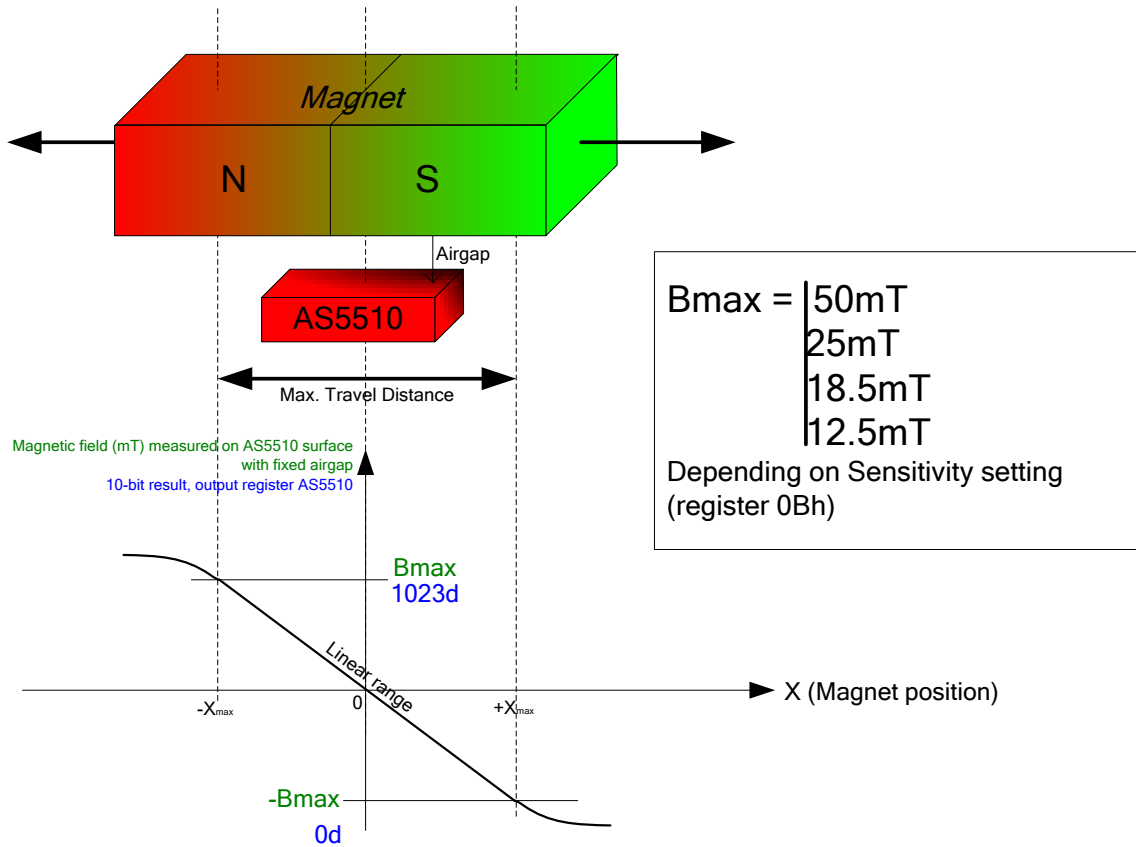
The maximum horizontal travel amplitude depends on the magnet shape and size and magnetic strength (magnet material and airgap).

In order to measure a mechanical movement with a linear response, the magnetic field shape at a fixed airgap must be like on Figure 4:.

The linear range width of the magnetic field between North and South poles determines the maximum travel size of the magnet. The minimum (-Bmax) and maximum (+Bmax) magnetic field values of the linear range must be lower or equal to one of the four sensitivities available on the AS5510 (register 0Bh): Sensitivity = $\pm 50\text{mT}$, $\pm 25\text{mT}$, $\pm 18.5\text{mT}$, $\pm 12.5\text{mT}$

The 10-bit output register D[9..0] OUTPUT = Field(mT) * (511/Sensitivity) + 511.

Figure 4:
Magnet requirement



Example 1:

This is the ideal case: the linear range of the magnet is $\pm 25\text{mT}$, which fits to the $\pm 25\text{mT}$ sensitivity setting of the AS5510. The resolution of displacement vs. output value is optimal.

Max. Travel Distance $TD_{max} = \pm 1\text{mm}$ ($X_{max} = 1\text{mm}$)

Sensitivity = $\pm 25\text{mT}$ (Register 0Bh \leftarrow 01h)

$B_{max} = 25\text{mT} \rightarrow X = -1\text{mm} (= -X_{max})$	Field _(mT) = -25mT	OUTPUT = 0
$\rightarrow X = 0\text{mm}$	Field _(mT) = 0mT	OUTPUT = 511
$\rightarrow X = +1\text{mm} (= +X_{max})$	Field _(mT) = +25mT	OUTPUT = 1023

Dynamic range of OUTPUT over $\pm 1\text{mm}$: $\Delta = 1023 - 0 = 1023 \text{ LSB}$

Resolution = $TD_{max} / \Delta = 2\text{mm} / 1024 = 1.95\mu\text{m/LSB}$

Example 2:

Using the same settings on the AS5510, the linear range of the magnet over the same displacement of $\pm 1\text{mm}$ is now $\pm 20\text{mT}$ instead of $\pm 25\text{mT}$ due to a higher airgap or a weaker magnet. In that case the resolution of displacement vs. output value is lower.

Max. Travel Distance $TD_{\text{max}} = \pm 1\text{mm}$ ($X_{\text{max}} = 1\text{mm}$): unchanged

Sensitivity = $\pm 25\text{mT}$ (Register 0Bh \leftarrow 01h) : unchanged

$B_{\text{max}} = 20\text{mT}$	$\rightarrow X = -1\text{mm}$ ($= -X_{\text{max}}$)	$\text{Field}_{(\text{mT})} = -20\text{mT}$	OUTPUT = 102
	$\rightarrow X = 0\text{mm}$	$\text{Field}_{(\text{mT})} = 0\text{mT}$	OUTPUT = 511
	$\rightarrow X = +1\text{mm}$ ($= +X_{\text{max}}$)	$\text{Field}_{(\text{mT})} = +20\text{mT}$	OUTPUT = 920

Dynamic range of OUTPUT over $\pm 1\text{mm}$: $\text{DELTA} = 920 - 102 = 818 \text{ LSB}$

Resolution = $TD_{\text{max}} / \text{DELTA} = 2\text{mm} / 818 = \underline{2.44\mu\text{m/LSB}}$

In order to keep the best resolution of the system, it is recommended to adapt the sensitivity as close as the B_{max} of the magnet, with $B_{\text{max}} < \text{Sensitivity}$ to avoid the saturation of the output value.

If a magnet holder is used, it must be made of a non-ferromagnetic material in order to keep the maximum magnetic field strength and maximum linearity. Materials as brass, copper, aluminium, stainless steel are the best choices to make this part.

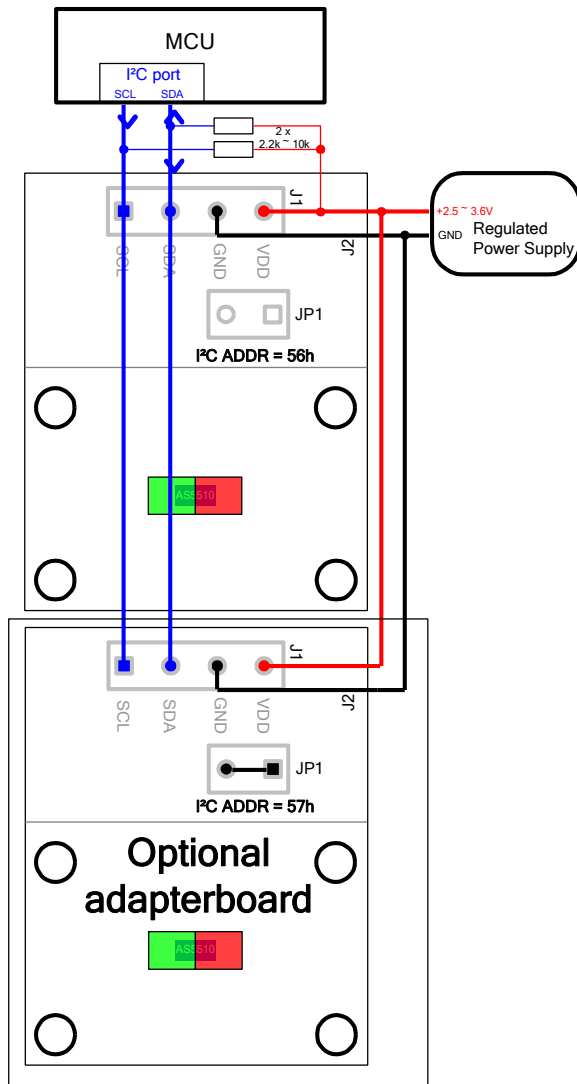
5 Connecting the AS5510-AB

Two wires (I²C) only are required for the communication with the host MCU. Pull-up resistors are needed on both SCL and SDA line. The value depends on the length of the wires, and the amount of slaves on the same I²C line.

The power supply delivering between 2.7V ~ 3.6V is connected to the adapter board and the pull-up resistors.

A second AS5510 adapterboard (optional) can be connected on the same line. In that case, the I²C address must be changed by closing JP1 with a wire.

Figure 5:
Typical connection to a host MCU (2nd adapterboard is optional)



6 Software example

After powering up the system, a delay of >1.5ms must be performed before the first I²C Read/Write command with the AS5510.

The initialization after power up is optional. It consists of:

- Sensitivity configuration (Register 0Bh)
- Magnet polarity (Register 02h bit 1)
- Slow or Fast mode (Register 02h bit 3)
- Power Down mode (Register 02h bit 0)

Reading the magnetic field value is straight forward. The following source code reads the 10-bit magnetic field value, and converts to the magnetic field strength in mT (millitesla).

Example: Sensitivity configured to +-50mT range (97.66mT/LSB); Polarity = 0; default setting:

- D9..0 value = 0 means -50mT on the hall sensor.
- D9..0 value = 511 means 0mT on the hall sensor (no magnetic field, or no magnet).
- D9..0 value = 1023 means +50mT on the hall sensor.

```

Void main_loop(unsigned char Sensitivity_Mode)
{
    unsigned char Data1, Data2;
    short value;

    // 10-bit output value (0~1023)
    // The value 511 is the middle point @ 0mT
    float magnetic_field; // Value of the magnetic field in mT

    Data_LSB = I2C_Read8(I2C_ADDR, 0x00); // Read D7..0
    Data_MSB = I2C_Read8(I2C_ADDR, 0x01); // Read D9..8 + OCF + Parity

    value = ((Data_MSB & 0x03)<<8) + Data_LSB;

    switch (Sensitivity_Mode) // Sensitivity_Mode is the value stored in
        // register 0Bh
    {
        case 0: // Register [0Bh] <= 0 (+- 50mT range, 97.66uT/LSB)
            magnetic_field = (value - 511) * 0.09766;
            break;

        case 1: // Register [0Bh] <= 0 (+- 25mT range, 48.83uT/LSB)
            magnetic_field = (value - 511) * 0.04883;
            break;

        case 2: // Register [0Bh] <= 0 (+- 12.5mT range, 24.41uT/LSB)
            magnetic_field = (value - 511) * 0.02441;
            break;

        case 3: // Register [0Bh] <= 0 (+- 18.7mT range, 36.62uT/LSB)
            magnetic_field = (value - 511) * 0.03662;
            break;
    }

    printf("Decimal 10-bit value = %u \n", value);
    printf("Magnetic field value = %.3fmT \n", magnetic_field);
}

```

7 Schematic and Layout

Figure 6:
AS5510-AB Schematic

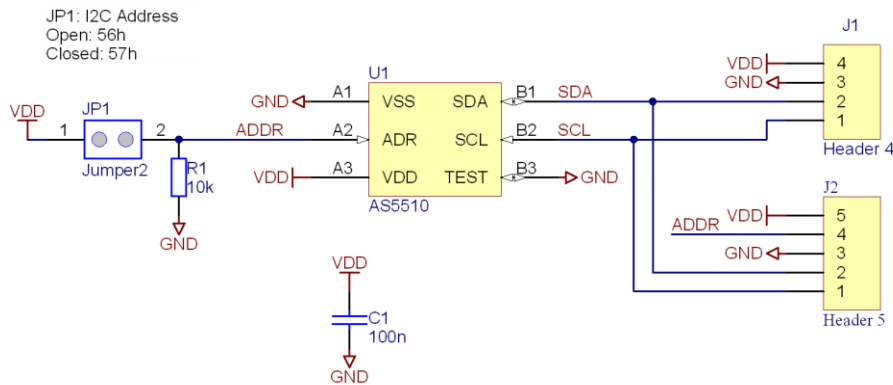
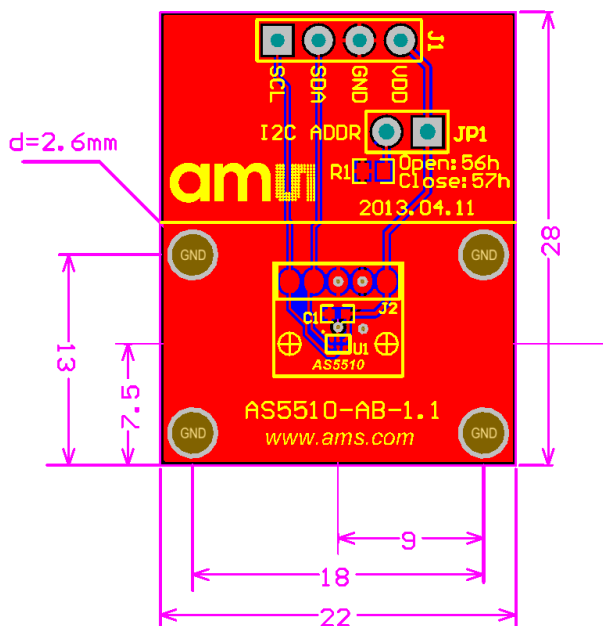


Figure 7:
AS5510-AB Layout



8 Ordering Information

Table 2:

Ordering Information

Ordering Code	Description	comments
AS5510-WLCSP-AB	AS5510 Adapterboard	Adapterboard with sensor in wlcsp package

9 Copyright

Copyright ams AG, Tobelbader Strasse 30, 8141 Unterpremstätten, Austria-Europe. Trademarks Registered. All rights reserved. The material herein may not be reproduced, adapted, merged, translated, stored, or used without the prior written consent of the copyright owner.

10 Disclaimer

Devices sold by ams AG are covered by the warranty and patent indemnification provisions appearing in its Term of Sale. ams AG makes no warranty, express, statutory, implied, or by description regarding the information set forth herein. ams AG reserves the right to change specifications and prices at any time and without notice. Therefore, prior to designing this product into a system, it is necessary to check with ams AG for current information. This product is intended for use in commercial applications. Applications requiring extended temperature range, unusual environmental requirements, or high reliability applications, such as military, medical life-support or life-sustaining equipment are specifically not recommended without additional processing by ams AG for each application. This Product is provided by ams "AS IS" and any express or implied warranties, including, but not limited to the implied warranties of merchantability and fitness for a particular purpose are disclaimed.

ams AG shall not be liable to recipient or any third party for any damages, including but not limited to personal injury, property damage, loss of profits, loss of use, interruption of business or indirect, special, incidental or consequential damages, of any kind, in connection with or arising out of the furnishing, performance or use of the technical data herein. No obligation or liability to recipient or any third party shall arise or flow out of ams AG rendering of technical or other services.

11 Contact Information

Headquarters

ams AG

Tobelbader Strasse 30
8141 Unterpremstaetten

Austria

T. +43 (0) 3136 500 0

For Sales Offices, Distributors and Representatives, please visit:

<http://www.ams.com/contact>

X-ON Electronics

Largest Supplier of Electrical and Electronic Components

Click to view similar products for [Magnetic Sensor Development Tools](#) category:

Click to view products by [ams](#) manufacturer:

Other Similar products are found below :

[AS5045 DB V2](#) [AS5134 AB](#) [MMC5633NJL-B](#) [ROTATEKNOBANGLE2GOTOBO1](#) [MIKROE-1647](#) [MIKROE-1646](#) [EVAL-CN0332-PMDZ](#) [AS5510-SO_EK_AB](#) [AS5510-WL_EK_DB](#) [ADA4571R-EBZ](#) [AS5170A-SO_EK_AB](#) [4366](#) [AS5013-QF_EK_AB](#) [AS5040 AB](#) [AS5040 DB V2](#) [AS5040-SS_EK_PB](#) [AS5045 AB](#) [AS5047D-TS_EK_AB](#) [AS5048A-EK-AB-STM1.1](#) [AS5048-TS_EK_DB](#) [AS5050A-QF_EK_AB](#) [AS5132 AB](#) [AS5132 DB](#) [AS5132-PB](#) [AS5140 DB](#) [AS5145B-EK-AB-STM1.0](#) [AS5147P-TS_EK_AB](#) [AS5162-EK-AB](#) [AS5172B-TS_EK_AB](#) [AS5247-MF_EK_SB](#) [AS5247U-TQ_EK_AB](#) [AS5247U-TQ_EK_SB](#) [AS5262-MF_EK_AB](#) [AS5311-TS_EK_AB](#) [AS5510-SOIC8-AB](#) [AS5600-SO_EK_AB](#) [AS5600-SO_EK_ST](#) [AS5601-SO_EK_AB](#) [AS5601-SO_EK_ST](#) [AS5601-SO_RD_ST](#) [AS5X47U-TS_EK_AB](#) [SD4Y-EK-XX](#) [USB I&P BOX](#) [EVAL-CN0323-SDPZ](#) [EVAL-CN0368-SDPZ](#) [DFR0033](#) [OUTOFSHAFTFOR3D2GOTOBO1](#) [S2GO3DSENSETLV493DTOBO1](#) [S2GOCURSENSETLI4970TOBO1](#) [TLE5012BE5000MS2GOTOBO1](#)