



**Operation Manual: AS5600-SO\_EK\_AB**

# **AS5600**

**12-bit Programmable Contactless Potentiometer**

## Table of Contents

|       |                                       |    |
|-------|---------------------------------------|----|
| 1     | General Description .....             | 3  |
| 1.1   | Kit Content .....                     | 3  |
| 2     | Getting Started .....                 | 3  |
| 2.1   | Adapter Board Pin-Out.....            | 3  |
| 2.2   | Adapter Board Description.....        | 4  |
| 2.3   | Mechanical Setup.....                 | 5  |
| 2.4   | Electrical Setup .....                | 5  |
| 2.4.1 | 3-Wire Mode.....                      | 5  |
| 2.4.2 | I <sup>2</sup> C Mode .....           | 6  |
| 3     | AS5600 Configuration .....            | 6  |
| 3.1   | Programming the output range .....    | 6  |
| 3.2   | Programming a configuration.....      | 6  |
| 3.2.1 | Low Power Mode .....                  | 7  |
| 3.2.2 | Hysteresis .....                      | 7  |
| 3.2.3 | Output selection .....                | 7  |
| 3.2.4 | Slow Filter .....                     | 7  |
| 3.2.5 | Fast Filter .....                     | 7  |
| 3.2.6 | Watchdog .....                        | 7  |
| 4     | Board Schematics, Layout and BOM..... | 7  |
| 4.1   | Schematics.....                       | 7  |
| 4.2   | Layout and Board Dimensions.....      | 8  |
| 4.3   | Bill of Materials.....                | 8  |
| 5     | Evaluation tools.....                 | 9  |
| 6     | Ordering Information .....            | 9  |
|       | Copyright .....                       | 10 |
|       | Disclaimer.....                       | 10 |

## Revision History

| Revision | Date       | Owner | Description                          |
|----------|------------|-------|--------------------------------------|
| 1.0      | 05.05.2014 | rph   | Initial Revision                     |
| 1.1      | 01.08.2014 | rph   | Updated Schematic                    |
| 1.2      | 18.11.2014 | rph   | Updated Table 2: Adapterboard Pinout |
| 1.3      | 02.12.2014 | azen  | Updated Figure 1,3,4 and Table 3     |

## 1 General Description

The adapter board allows an easy and fast evaluation of the AS5600 rotary magnetic position sensor in the lab or together with an existing system. This small factor board is fully assembled with AS5600 position sensor and its necessary external components. All relevant signals are available on a dual-row 2.54mm 4-pin header footprint and can be easily wired to an existing application.

The AS5600 is a programmable Hall-based rotary magnetic position sensor with a high-resolution 12-bit analog or PWM output for contactless potentiometers. Based on planar Hall technology, this device measures the orthogonal component of the flux density (Bz) from an external magnet while rejecting stray magnetic fields.

The default range of the output is 0 to 360 degrees, but the full resolution of the device can be applied to smaller range by programming a zero angle (start position) and maximum angle (stop position).

The I<sup>2</sup>C interface is used for configuration and user programming of non-volatile parameters in the AS5600. Additionally the device can be programmed in 3-wire mode without any programmer.

### 1.1 Kit Content

This kit contains following material listed in Table 1. Additional material can be found on our webpage.

Table 1:  
Kit Content

| No. | Item            | Description      | Info   |
|-----|-----------------|------------------|--|
| 1   | AS5600-SO_EK_AB | Adapterboard     |  |
| 2   | AS5000-MD6H-1   | Reference Magnet | Find the datasheet online at <a href="http://ams.com/eng/AS5000-MD6H-1">http://ams.com/eng/AS5000-MD6H-1</a> |

## 2 Getting Started

The AS5600 adapter board is ideal for rapid setup of a contactless potentiometer. Additionally to the adapter board, a sensor magnet in a mechanical setup is required. A reference magnet comes with the kit.

### 2.1 Adapter Board Pin-Out

The pin-out of the adapter board is shown in Table 2. For additional information on the AS5600 pins refer to the product datasheet.

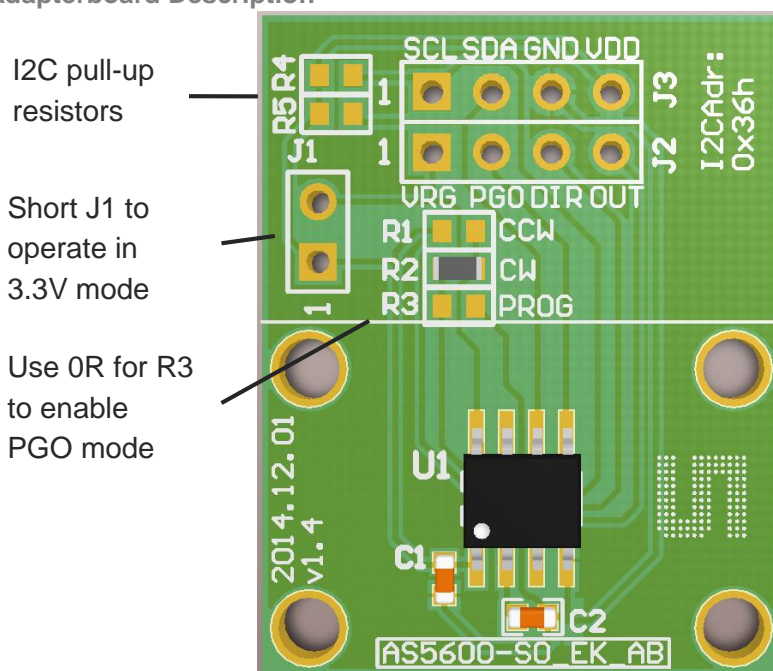
Table 2:  
Adapter Board Pin-Out

| Header | Pin | Symbol | Description           | Info   |
|--------|-----|--------|-----------------------|--|
| J3     | 1   | SCL    | I2C Clock             | Use R4 if pull-up is required  |
| J3     | 2   | SDA    | I2C Data              | Use R4 and R5 if pull-up is required   |
| J3     | 3   | GND    | Ground                |  |
| J3     | 4   | VDD    | Positive Power Supply |  |
| J2     | 1   | VRG    | LDO Pin in 5V Mode    | Leave open in 5V mode. Pull to VDD using J1 in 3.3V Mode                           |
| J2     | 2   | PGO    | Programming Mode      | Pull to GND using R3 for Programming Option B (refer to the datasheet)             |
| J2     | 3   | DIR    | Direction input       | CCW default. Pulled to GND using R2. Remove R2 and insert at R1 for CCW direction. |
| J3     | 4   | OUT    | Output Pin            | Analog Output default, PWM possible, Is used for programming option B              |

## 2.2 Adapter Board Description

The AS5600 is connected over the dual-row 2.54mm 4-pin header footprint. Connect the desired pins of the AS5600 using the headers and resistors.

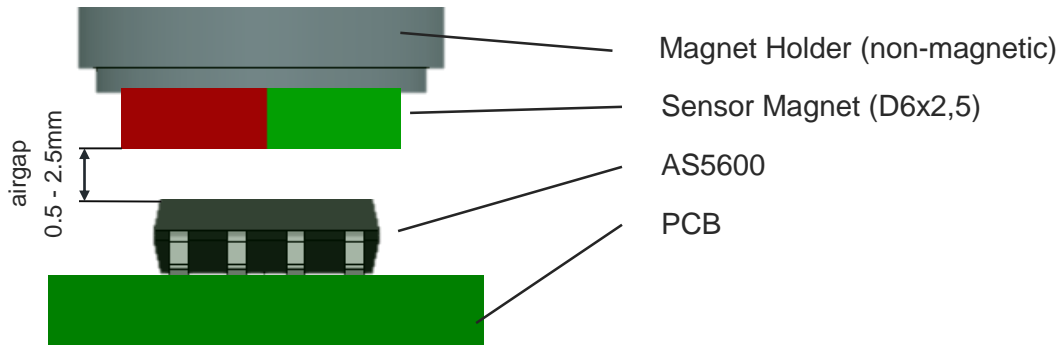
Figure 1:  
Adapterboard Description



### 2.3 Mechanical Setup

To set up a contactless potentiometer a magnet holder and a magnet are needed to be used with the AS5600 position sensor on a PCB. The configuration is shown in Figure 2.

Figure 2:  
 Mechanical Configuration



The magnet should be aligned by reading the output of the AGC register of the AS5600. For optimal alignment, the AGC value is in the middle of the AGC range.

**Note:** If the magnetic field seen by the AS5600 is below 8mT, the output is switched off and permanent angle programming is not possible.

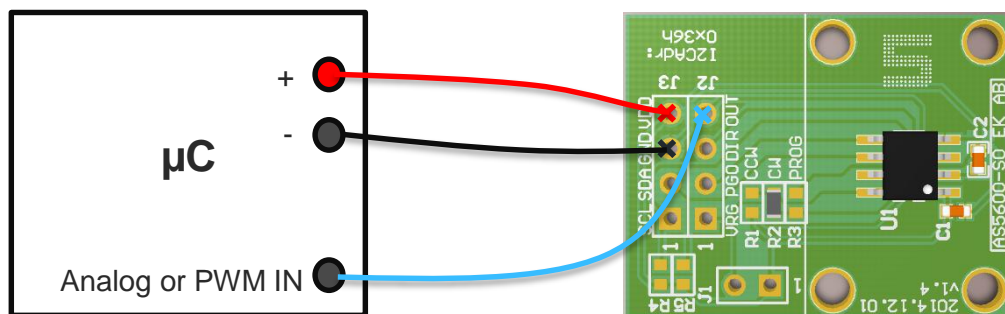
### 2.4 Electrical Setup

The adapterboard is many used in following configurations in 5V or in 3.3V mode.:

#### 2.4.1 3-Wire Mode

In this mode, the power supply and the output pin of the adapterboard are connected. To program a custom angular output range, short R3 using a 0R resistor to enable the programming option B. Follow the step-by-step instructions in the AS5600 datasheet to program the device.

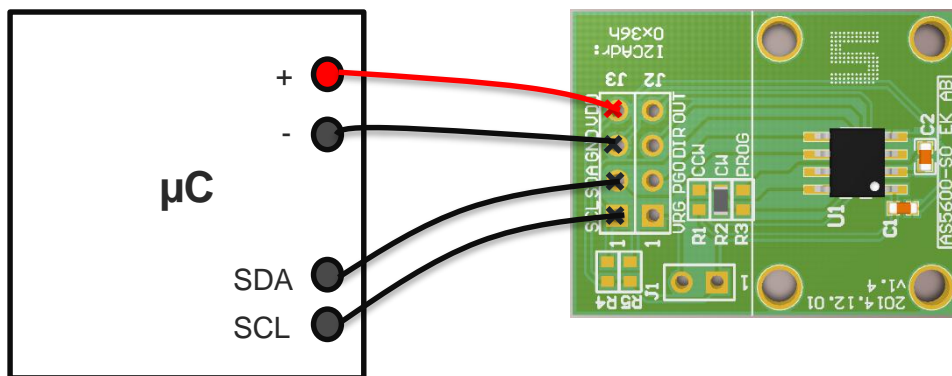
Figure 3:  
 Using the board in 3-Wire Mode



## 2.4.2 I<sup>2</sup>C Mode

Using the I2C Interface, all functions of the AS5600 can be configured and permanently programmed. Additionally the output and a raw angle (unmodified value) can be read from the output registers.

Figure 4:  
Using the board in I2C Mode



## 3 AS5600 Configuration

All options to configure the AS5600 are shown below. The AS5600 operates with a default configuration if no configuration was programmed.

### 3.1 Programming the output range

To adjust a custom angle to the full output range or to modify the Zero Position of the device, the AS5600 must be programmed. Following options are available:

- Programming start and stop position with I<sup>2</sup>C (Option A)
- Programming start and stop position in 3-Wire Mode (Option B)
- Programming an angular excursion with I<sup>2</sup>C (Option C)

Follow the step-by-step instructions in the AS5600 datasheet for one of the above programming options.

**Note:** To program only the zero position with Option B, Program an angular excursion of 360deg using Option C first.

### 3.2 Programming a configuration

A configuration must be written using the I2C interface. The Burn\_Setting command (Write 0x40 into register 0xFF) can be used to permanently program a configuration.

### 3.2.1 Low Power Mode

Three low power modes are available to reduce the power consumption down to 1,5mA max.

### 3.2.2 Hysteresis

A 1 to 3 LSB hysteresis of the 12-bit resolution can be enabled.

### 3.2.3 Output selection

Per default, the Analog Output is active if a magnet is present. Additionally the Output Pin can be switched to PWM with the option to select a PWM frequency (115Hz,230Hz,460Hz,920Hz)

### 3.2.4 Slow Filter

The slow filter allows improving the output noise. The default setting for the Slow Filter is 16x and can be reduced for faster response.

### 3.2.5 Fast Filter

The fast filter is active by selecting a Fast Filter Threshold. If the output value remains below the threshold, the output noise is defined by the slow filter setting. When exceeding the threshold, the output noise is defined from the fast filter for fast output response. The output noise is again defined by the slow filter as soon as the output stays in the threshold again.

### 3.2.6 Watchdog

If the watchdog is active, the AS5600 automatically enters Low Power Mode 3 after one minute if the output value stays within a threshold of 4 LSB.

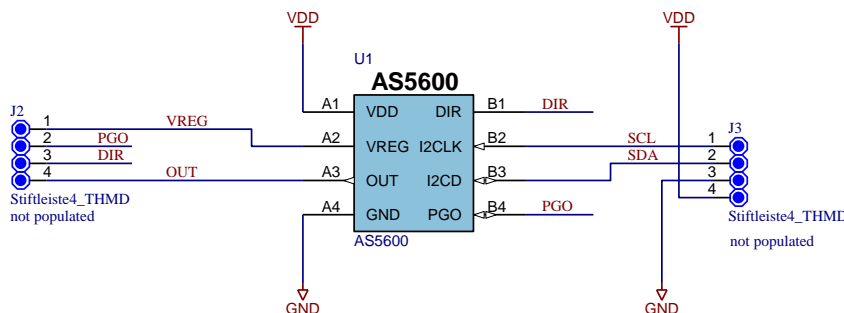
## 4 Board Schematics, Layout and BOM

The schematic, layout and BOM of the adapterboard are shown below for reference.

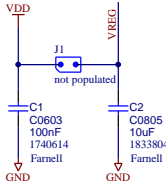
### 4.1 Schematics

The schematic of the board is shown below in Figure 5.

Figure 5:  
Adapterboard Schematic



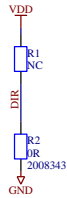
**Note1: Supply**  
J1=OPEN: 5V  
J1=CLOSED: 3.3V



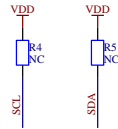
**Note2: PGO**  
R3=NC: Normal Operation  
R3=0R: Programming Option



**Note3: Direction**  
R1=NC/R2=0R: CW  
R1=0R/R2=NC: CCW



**Note4: Optional pull-ups**



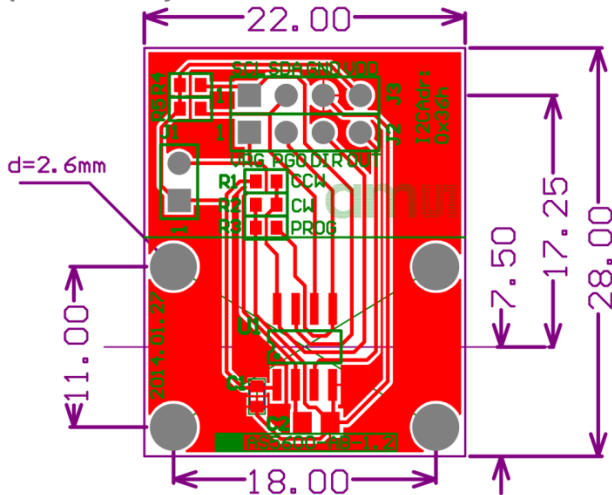
**Note5:**  
Adapterboard can be used with AS5XXX-UCB-1.0  
(Use 4pin I2C header in 3.3V mode)

**Note6:**  
AS5600 I2C Address is 0x36h

## 4.2 Layout and Board Dimensions

The PCB layout is shown below in Figure 6.

Figure 6:  
Adapterboard layout



## 4.3 Bill of Materials

The BOM of the pcb is below in Table 3.

Table 3:  
Bill of Materials

| Designator | Part                     | Footprint | Manufacturer | Comment                     |
|------------|--------------------------|-----------|--------------|-----------------------------|
| J1         | Jumper                   |           |              |                             |
| J2         | Header                   |           |              |                             |
| J3         | Header                   |           |              |                             |
| R1         | Resistor / not populated | R0603     |              |                             |
| R2         | 0R                       | R0603     |              | clockwise direction default |
| R3         | Resistor / not populated | R0603     |              |                             |
| C1         | C0603                    | 0603      |              |                             |
| C2         | C0603                    | 0603      |              |                             |



| Designator | Part                     | Footprint | Manufacturer | Comment                |
|------------|--------------------------|-----------|--------------|------------------------|
| R4         | Resistor / not populated | R0603     |              |                        |
| R5         | Resistor / not populated | R0603     |              |                        |
| U1         | AS5600                   | SOIC-8    | amsAB        | Smart Potentiometer IC |

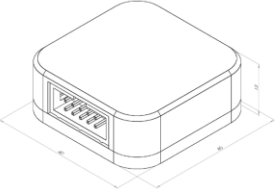
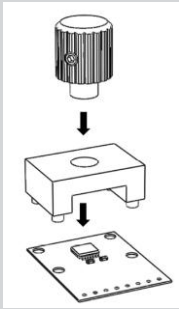
## 5 Evaluation tools

To configure the AS5600, no dedicated programmer is needed. For fast setup time the USB I&P Box can be used to configure the AS5600 over I<sup>2</sup>C. The USB I&P Box can be ordered from the ams webpage.

Additionally a magnet holder kit is available with consist of a distance block and a Knob which holds the sensor magnet.

Please find the ordering information below in Table 4.

Table 4:  
Ordering Information for Evaluation Tools

| Ordering Code   | Description                           | Image   |
|-----------------|---------------------------------------|---|
| USB I&P Box     | To configure the AS5600               |  |
| RMH05-DK-XX-1.0 | Rotary Magnet Holder for adapterboard |  |

## 6 Ordering Information

Please find the ordering information below in Table 5.

Table 5:  
Ordering Information

| Ordering Code   | Description         | Comments                             |
|-----------------|---------------------|--------------------------------------|
| AS5600-SO_EK_AB | AS5600 Adapterboard | For rapid evaluation and prototyping |

Get additional support material online at <http://www.ams.com/AS5600>.

## Copyright

Copyright ams AG, Tobelbader Strasse 30, 8141 Unterpremstätten, Austria-Europe. Trademarks Registered. All rights reserved. The material herein may not be reproduced, adapted, merged, translated, stored, or used without the prior written consent of the copyright owner.

## Disclaimer

Devices sold by ams AG are covered by the warranty and patent indemnification provisions appearing in its Term of Sale. ams AG makes no warranty, express, statutory, implied, or by description regarding the information set forth herein. ams AG reserves the right to change specifications and prices at any time and without notice. Therefore, prior to designing this product into a system, it is necessary to check with ams AG for current information. This product is intended for use in commercial applications. Applications requiring extended temperature range, unusual environmental requirements, or high reliability applications, such as military, medical life-support or life-sustaining equipment are specifically not recommended without additional processing by ams AG for each application. This Product is provided by ams "AS IS" and any express or implied warranties, including, but not limited to the implied warranties of merchantability and fitness for a particular purpose are disclaimed.

ams AG shall not be liable to recipient or any third party for any damages, including but not limited to personal injury, property damage, loss of profits, loss of use, interruption of business or indirect, special, incidental or consequential damages, of any kind, in connection with or arising out of the furnishing, performance or use of the technical data herein. No obligation or liability to recipient or any third party shall arise or flow out of ams AG rendering of technical or other services.

## Contact Information

### Headquarters

ams AG  
Tobelbader Strasse 30  
8141 Unterpremstaetten  
Austria  
T. +43 (0) 3136 500 0  
For Sales Offices, Distributors and Representatives, please visit:  
<http://www.ams.com/contact>

## X-ON Electronics

Largest Supplier of Electrical and Electronic Components

*Click to view similar products for [Magnetic Sensor Development Tools](#) category:*

*Click to view products by [ams](#) manufacturer:*

Other Similar products are found below :

[AS5045 DB V2](#) [AS5134 AB](#) [MMC5633NJL-B](#) [ROTATEKNOBANGLE2GOTOB01](#) [MIKROE-1647](#) [MIKROE-1646](#) [EVAL-CN0332-PMDZ](#) [AS5510-SO\\_EK\\_AB](#) [AS5510-WL\\_EK\\_DB](#) [ADA4571R-EBZ](#) [AS5170A-SO\\_EK\\_AB](#) [4366](#) [AS5013-QF\\_EK\\_AB](#) [AS5040 AB](#) [AS5040 DB V2](#) [AS5040-SS\\_EK\\_PB](#) [AS5045 AB](#) [AS5047D-TS\\_EK\\_AB](#) [AS5048A-EK-AB-STM1.1](#) [AS5048-TS\\_EK\\_DB](#) [AS5050A-QF\\_EK\\_AB](#) [AS5132 AB](#) [AS5132 DB](#) [AS5132-PB](#) [AS5140 DB](#) [AS5145B-EK-AB-STM1.0](#) [AS5147P-TS\\_EK\\_AB](#) [AS5162-EK-AB](#) [AS5172B-TS\\_EK\\_AB](#) [AS5247-MF\\_EK\\_SB](#) [AS5247U-TQ\\_EK\\_AB](#) [AS5247U-TQ\\_EK\\_SB](#) [AS5262-MF\\_EK\\_AB](#) [AS5311-TS\\_EK\\_AB](#) [AS5510-SOIC8-AB](#) [AS5600-SO\\_EK\\_AB](#) [AS5600-SO\\_EK\\_ST](#) [AS5601-SO\\_EK\\_AB](#) [AS5601-SO\\_EK\\_ST](#) [AS5601-SO\\_RD\\_ST](#) [AS5X47U-TS\\_EK\\_AB](#) [SD4Y-EK-XX](#) [USB I&P BOX](#) [EVAL-CN0323-SDPZ](#) [EVAL-CN0368-SDPZ](#) [DFR0033](#) [OUTOFSHAFTFOR3D2GOTOB01](#) [S2GO3DSENSETLV493DTOB01](#) [S2GOCURSENSETLI4970TOB01](#) [TLE5012BE5000MS2GOTOB01](#)