



User Guide

UG000497

AS5x47P

Motor Board

AS5x47P-TS_EK_MB

v1-00 • 2020-Jul-31

Content Guide

1	Introduction.....	3	4	AS5x47P-TS_EK_MB Hardware....	7
1.1	Kit Content.....	3	5	Revision Information.....	9
2	Board Description.....	4	6	Legal Information	10
2.1	Mounting the AS5x47P Motor Board	5			
3	AS5x47P Motor Board Pinout	6			

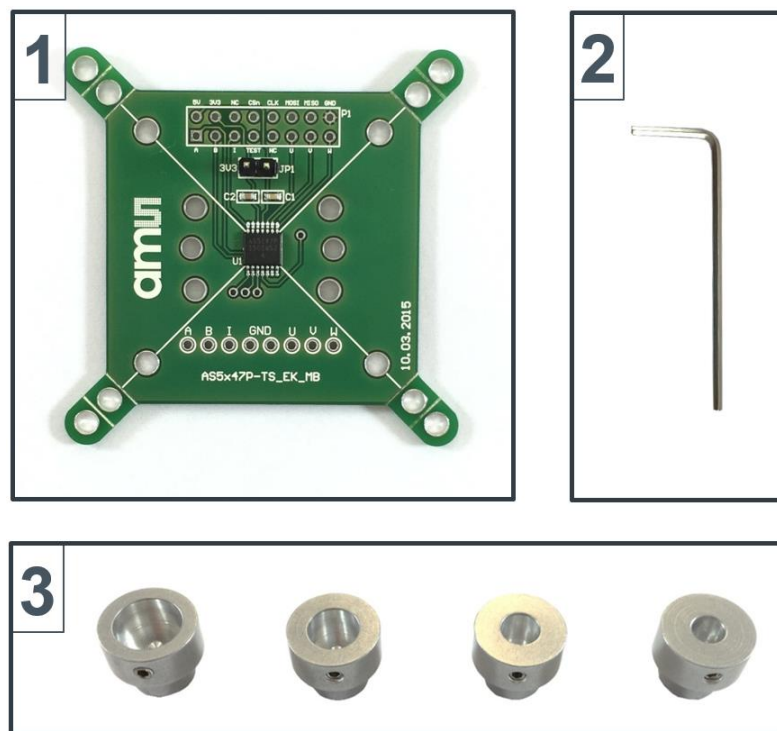
1 Introduction

The AS5x47P motor board is a simple PCB which is designed to adapt to standard size BLDC or stepper motors. It allows easy and quick evaluation of the AS5x47 magnetic position sensor family.

The sensor and all necessary external components are already soldered to the PCB.

1.1 Kit Content

Figure 1:
Content



#	Item	Comment
1	AS5x47P-TS_EK_MB	Motor Board
2	Allen key	1.5 mm
3	Magnet holders	Diameters: 10mm, 8mm, 6mm, 5mm

2 Board Description

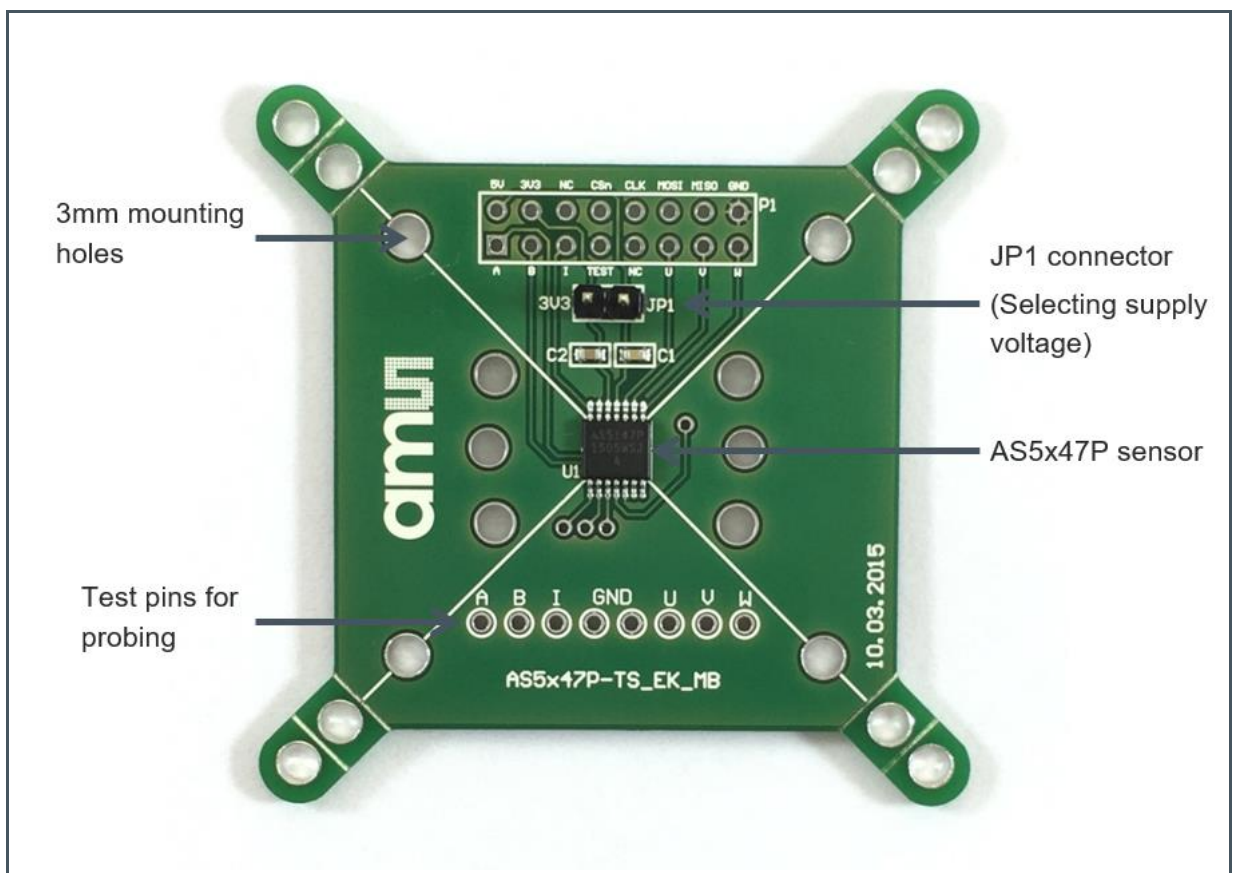
The PCB can be connected either to an external microcontroller or to the USB I&P Box, which is available on our webpage. ([USB I&P Box](#))

P1 has to be populated with a 2x8 pin header and is required for power supply as well as SPI, ABI, UVW/PWM interfaces.

The connector JP1 allows to select between 5V or 3.3V operation. When JP1 is set only 3.3V operation is possible.

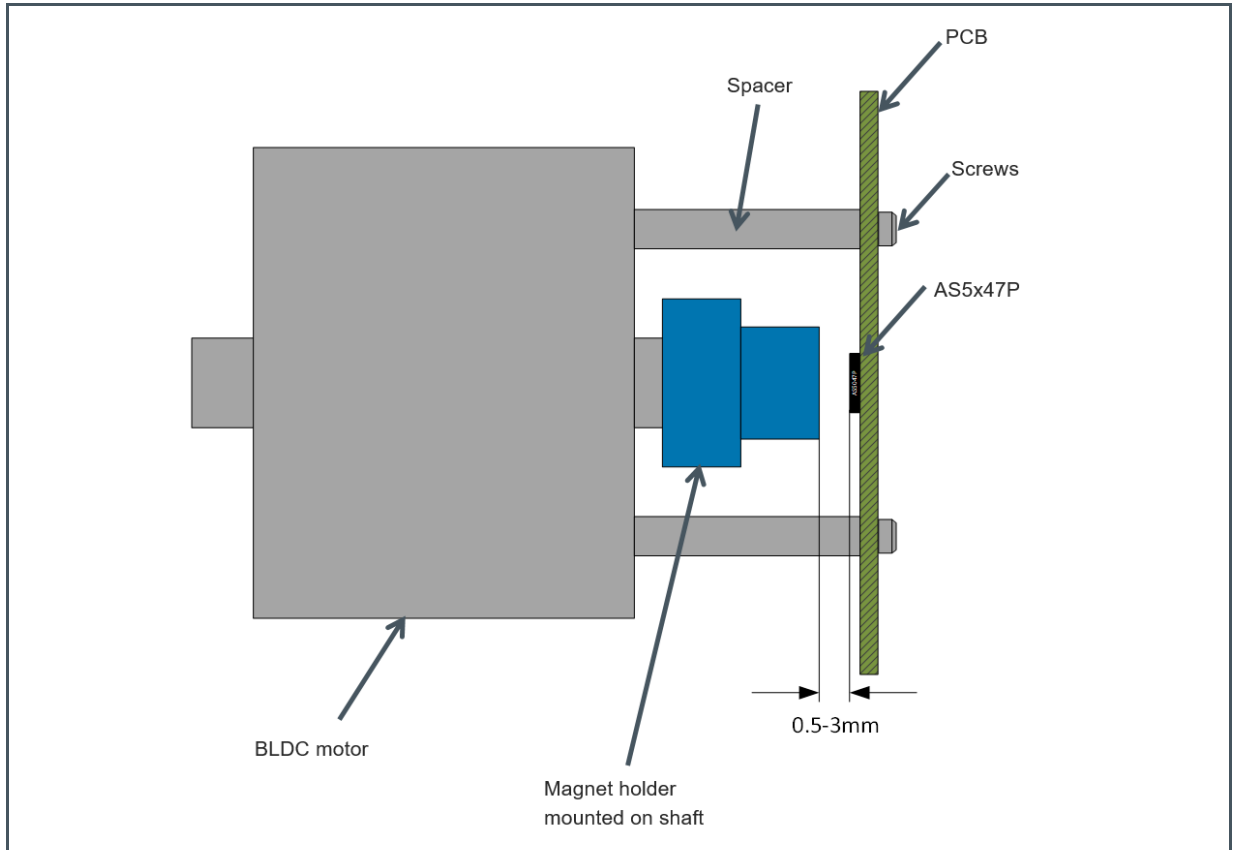
Furthermore, the test pins on the bottom of the PCB give easy access to incremental outputs (ABI and UVW) for probing and measuring with an oscilloscope.

Figure 2:
AS5x47P Motor Board



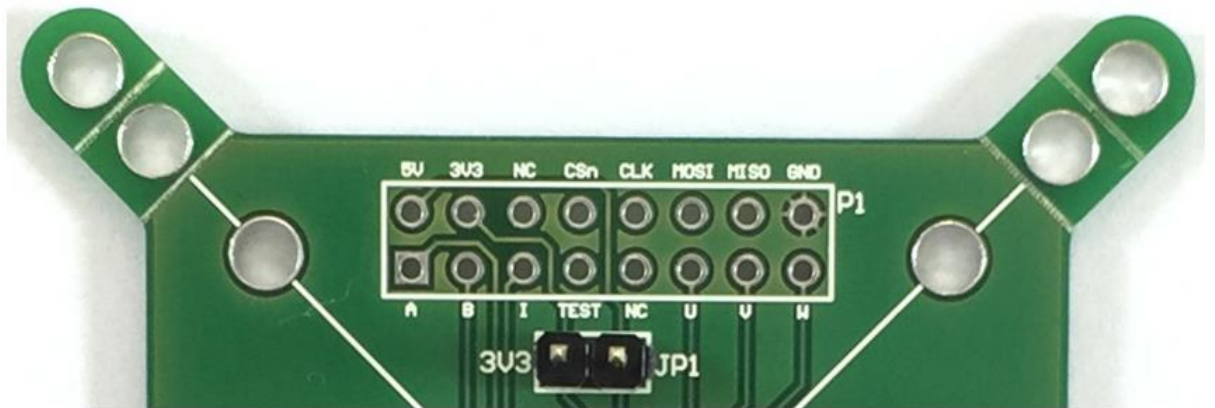
2.1 Mounting the AS5x47P Motor Board

Figure 3:
Mounting On Motor



3 AS5x47P Motor Board Pinout

Figure 4:
Pinout



Pin# Board	Symbol Board	Type	Description
P1 - 1	5V	Power supply	Positive supply voltage
P1 - 2	3V3	Power supply	3.3V LDO output
P1 - 3	NC		Not connected
P1 - 4	CSn	Digital input	SPI chip select (active low)
P1 - 5	CLK	Digital input	SPI Clock
P1 - 6	MOSI	Digital input	SPI MOSI
P1 - 7	MISO	Digital output	SPI MISO
P1 - 8	GND	Power supply	Ground
P1 - 9	A	Digital output	Incremental signal A (quadrature)
P1 - 10	B	Digital output	Incremental signal B (quadrature)
P1 - 11	I	Digital output	Incremental signal I (index) or PWM
P1 - 12	TEST		Test pin (connect to ground)
P1 - 13	NC		Not connected
P1 - 14	U	Digital output	Commutation signal U
P1 - 15	V	Digital output	Commutation signal V
P1 - 16	W	Digital output	Commutation signal W or PWM

4 AS5x47P-TS_EK_MB Hardware

Figure 5:
Schematics

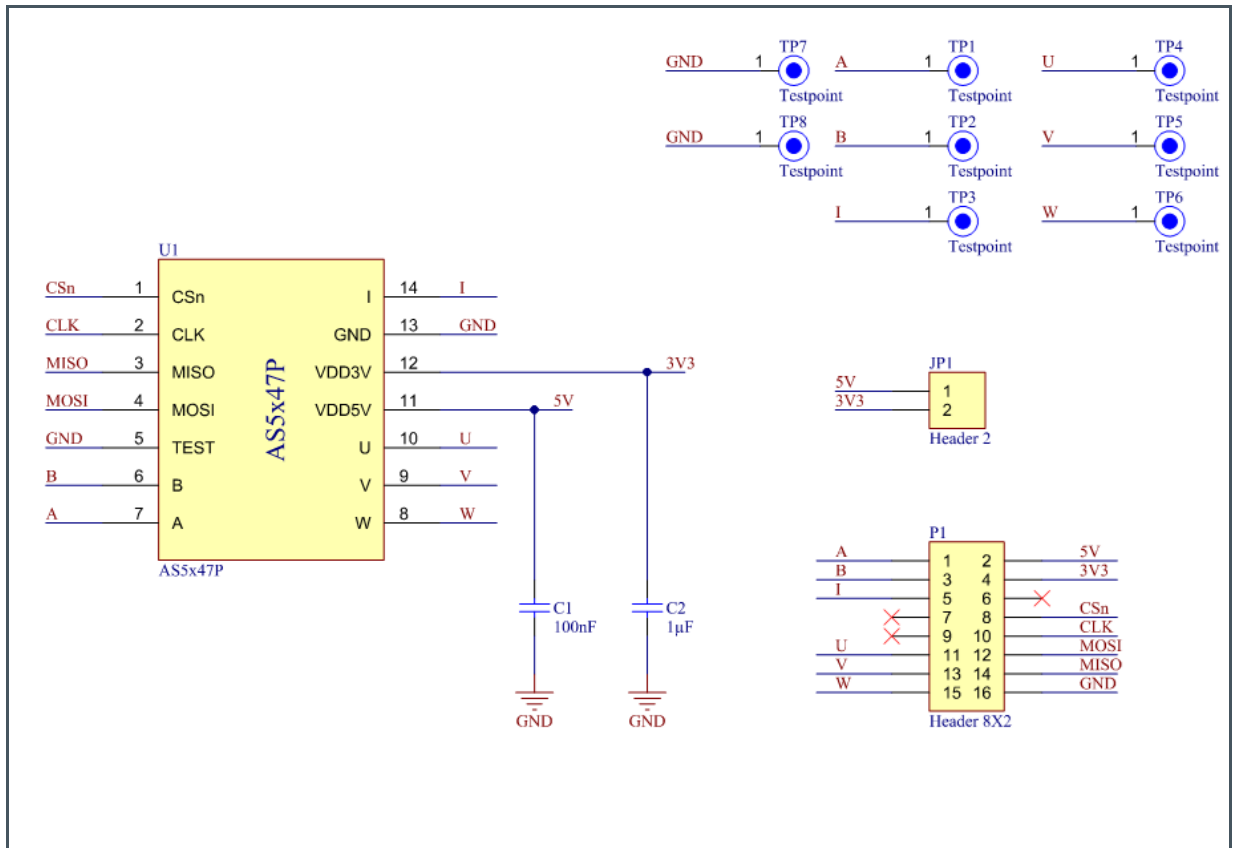
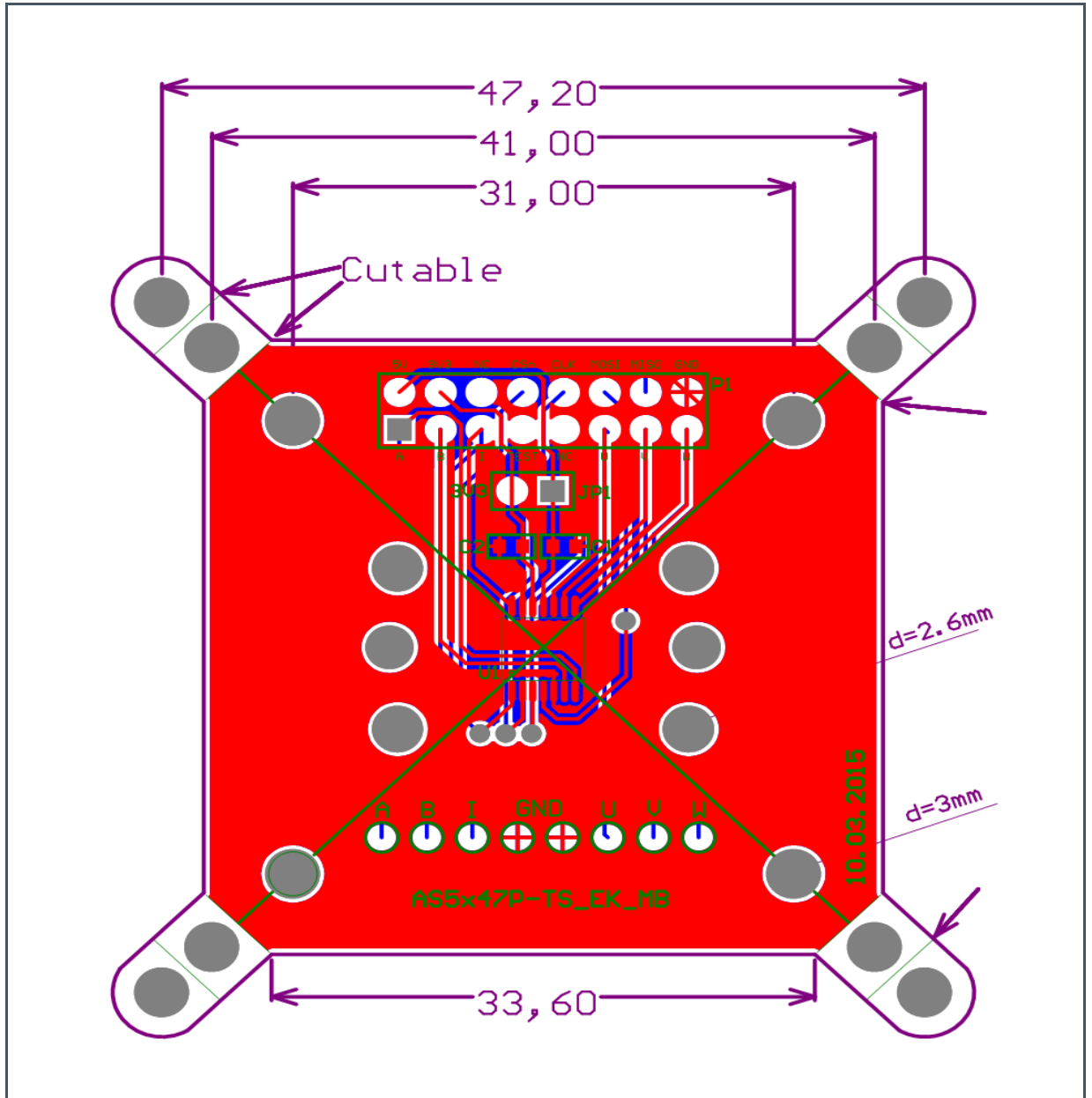


Figure 6:
PCB Layout



5 Revision Information

Changes from previous version to current revision v1-00	Page
Initial Document	

- Page and figure numbers for the previous version may differ from page and figure numbers in the current revision.
- Correction of typographical errors is not explicitly mentioned.

6 Legal Information

Copyrights & Disclaimer

Copyright ams AG, Tobelbader Strasse 30, 8141 Premstaetten, Austria-Europe. Trademarks Registered. All rights reserved. The material herein may not be reproduced, adapted, merged, translated, stored, or used without the prior written consent of the copyright owner.

Demo Kits, Evaluation Kits and Reference Designs are provided to recipient on an "as is" basis for demonstration and evaluation purposes only and are not considered to be finished end-products intended and fit for general consumer use, commercial applications and applications with special requirements such as but not limited to medical equipment or automotive applications. Demo Kits, Evaluation Kits and Reference Designs have not been tested for compliance with electromagnetic compatibility (EMC) standards and directives, unless otherwise specified. Demo Kits, Evaluation Kits and Reference Designs shall be used by qualified personnel only.

ams AG reserves the right to change functionality and price of Demo Kits, Evaluation Kits and Reference Designs at any time and without notice.

Any express or implied warranties, including, but not limited to the implied warranties of merchantability and fitness for a particular purpose are disclaimed. Any claims and demands and any direct, indirect, incidental, special, exemplary or consequential damages arising from the inadequacy of the provided Demo Kits, Evaluation Kits and Reference Designs or incurred losses of any kind (e.g. loss of use, data or profits or business interruption however caused) as a consequence of their use are excluded.

ams AG shall not be liable to recipient or any third party for any damages, including but not limited to personal injury, property damage, loss of profits, loss of use, interruption of business or indirect, special, incidental or consequential damages, of any kind, in connection with or arising out of the furnishing, performance or use of the technical data herein. No obligation or liability to recipient or any third party shall arise or flow out of ams AG rendering of technical or other services.

RoHS Compliant & ams Green Statement

RoHS Compliant: The term RoHS compliant means that ams AG products fully comply with current RoHS directives. Our semiconductor products do not contain any chemicals for all 6 substance categories plus additional 4 substance categories (per amendment EU 2015/863), including the requirement that lead not exceed 0.1% by weight in homogeneous materials. Where designed to be soldered at high temperatures, RoHS compliant products are suitable for use in specified lead-free processes.

ams Green (RoHS compliant and no Sb/Br/Cl): ams Green defines that in addition to RoHS compliance, our products are free of Bromine (Br) and Antimony (Sb) based flame retardants (Br or Sb do not exceed 0.1% by weight in homogeneous material) and do not contain Chlorine (Cl) not exceed 0.1% by weight in homogeneous material).

Important Information: The information provided in this statement represents ams AG knowledge and belief as of the date that it is provided. ams AG bases its knowledge and belief on information provided by third parties, and makes no representation or warranty as to the accuracy of such information. Efforts are underway to better integrate information from third parties. ams AG has taken and continues to take reasonable steps to provide representative and accurate information but may not have conducted destructive testing or chemical analysis on incoming materials and chemicals. ams AG and ams AG suppliers consider certain information to be proprietary, and thus CAS numbers and other limited information may not be available for release.

Headquarters

ams AG
Tobelbader Strasse 30
8141 Premstaetten
Austria, Europe
Tel: +43 (0) 3136 500 0

Please visit our website at www.ams.com

Buy our products or get free samples online at www.ams.com/Products

Technical Support is available at www.ams.com/Technical-Support

Provide feedback about this document at www.ams.com/Document-Feedback

For sales offices, distributors and representatives go to www.ams.com/Contact

For further information and requests, e-mail us at ams_sales@ams.com

X-ON Electronics

Largest Supplier of Electrical and Electronic Components

Click to view similar products for [Magnetic Sensor Development Tools](#) category:

Click to view products by [ams](#) manufacturer:

Other Similar products are found below :

[AS5045 DB V2](#) [AS5134 AB](#) [MMC5633NJL-B](#) [ROTATEKNOBANGLE2GOTOBO1](#) [MIKROE-1647](#) [MIKROE-1646](#) [EVAL-CN0332-PMDZ](#) [AS5510-SO_EK_AB](#) [AS5510-WL_EK_DB](#) [ADA4571R-EBZ](#) [AS5170A-SO_EK_AB](#) [4366](#) [AS5013-QF_EK_AB](#) [AS5040 AB](#) [AS5040 DB V2](#) [AS5040-SS_EK_PB](#) [AS5047D-TS_EK_AB](#) [AS5048A-EK-AB-STM1.1](#) [AS5048A-TS_EK_AB](#) [AS5048-TS_EK_DB](#) [AS5050A-QF_EK_AB](#) [AS5132 AB](#) [AS5132 DB](#) [AS5132-PB](#) [AS5140 DB](#) [AS5145B-EK-AB-STM1.0](#) [AS5147P-TS_EK_AB](#) [AS5162-EK-AB](#) [AS5172B-TS_EK_AB](#) [AS5247-MF_EK_SB](#) [AS5247U-TQ_EK_AB](#) [AS5247U-TQ_EK_SB](#) [AS5262-MF_EK_AB](#) [AS5311-TS_EK_AB](#) [AS5510-SOIC8-AB](#) [AS5600-SO_EK_AB](#) [AS5600-SO_EK_ST](#) [AS5601-SO_EK_AB](#) [AS5601-SO_EK_ST](#) [AS5601-SO_RD_ST](#) [AS5X47U-TS_EK_AB](#) [SD4Y-EK-XX](#) [USB I&P BOX](#) [EVAL-CN0323-SDPZ](#) [EVAL-CN0368-SDPZ](#) [DFR0033](#) [OUTOFSHAFTFOR3D2GOTOBO1](#) [S2GO3DSENSETLV493DTOBO1](#) [S2GOCURSENSETLI4970TOBO1](#) [TLE5012BE5000MS2GOTOBO1](#)