



# AMS-7 SERIES MINI SURFACE/PRESS FIT MAGNETIC CONTACT

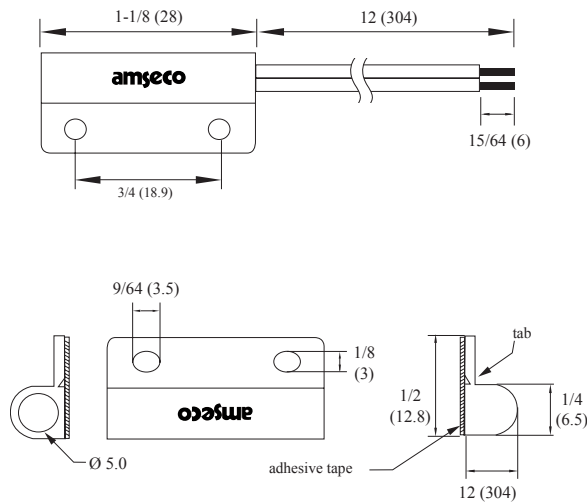


- UL Listed
- 3/4" operating gap
- Surface mount or press fit
- Alnico 5 magnet
- AMS-7 available in white or brown,  
AMS-7D available in white or black

### Application

The AMS-7 Series Mini Surface/Press Fit Magnetic Contact is designed for installations where space is severely limited. The unique break-off tabs allows for field selection of surface mount or press-fit, recessed mount installations. The size and flexibility of the AMS-7 make it a must have on every technicians vehicle.

### Dimensions



### Specifications

Model	Color	Stock Number	Contact	Contact Rating	Contact Type	Max. Carry Current	Max. Switching Current	Breakdown Voltage	Operating Gap	Mounting Method	Operating Temperature Range
AMS-7	White	4350220	22AWG 12" Lead	10VA	Form A N.O	1.0 Amp	.5 Amp	200VDC	3/4"	Surface mount or Press fit	32°F to 120°F (0°C to 49°C)
	Brown	4350219			Form B N.C.						
AMS-7D	White	4350231									
	Black	4350221									

## X-ON Electronics

Largest Supplier of Electrical and Electronic Components

*Click to view similar products for [Magnetic/Reed Switches](#) category:*

*Click to view products by [Amseco](#) manufacturer:*

Other Similar products are found below :

[PSW-21](#) [AMS-20MG](#) [AMS-37-G\\_W/Brk](#) [AMS-38S-I](#) [AMS-38SW](#) [AMS-39B-B](#) [HRB10030](#) [2116900170](#) [AMS-10S-B](#) [AMS-25B-B](#) [AMS-37BROWN](#) [AMS-37L](#) [AMS-38MG](#) [AMS-38SB](#) [AMS-9-B](#) [AMS-T10C\(B\)](#) [505-171W](#) [WHITE](#) [505-211B](#) [505-70B](#) [HM00-01800](#) [4350186](#) [505-101-GC](#) [505-101-GS](#) [505-101-WS](#) [505-392W](#) [505-90G](#) [505-90I](#) [507-381BB](#) [RSW-21A-I](#) [ODC-56B](#) [RI-90GP1020](#) [FF6-21-DC-03-SS](#) [FF6-11-AC-06](#) [FF6-21-AC-06](#) [AMS-10MGW](#) [AMS-37B](#) [GRAY](#) [HM00-01608LF](#) [HM00-04603LF](#) [HM00-02441BLFTR](#) [KSK-1A80/1-1015](#) [44531-0110](#) [44531-0200](#) [44531-0260](#) [35-756](#) [KSK-1A52-1520](#) [KSK-1C90U-1530](#) [KSK-1E85-BV470](#) [MLRR-4-22-28](#) [MLRR-3-42-48](#) [MISM-3V1R-8-12.5](#)