

## AMS-7 SERIES MINI SURFACE/PRESS FIT MAGNETIC CONTACT

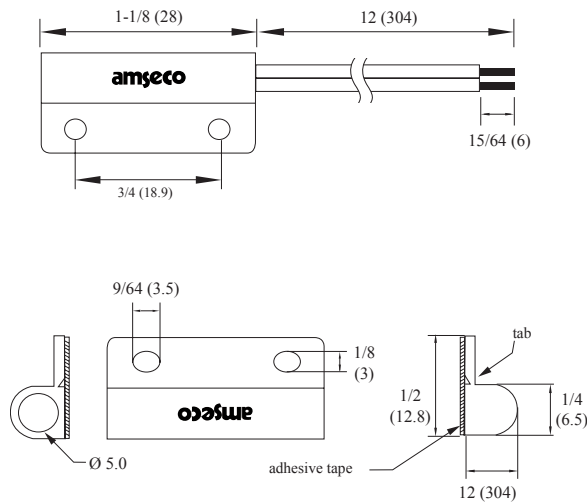


- UL Listed
- 3/4" operating gap
- Surface mount or press fit
- Alnico 5 magnet
- AMS-7 available in white or brown,  
AMS-7D available in white or black

### Application

The AMS-7 Series Mini Surface/Press Fit Magnetic Contact is designed for installations where space is severely limited. The unique break-off tabs allows for field selection of surface mount or press-fit, recessed mount installations. The size and flexibility of the AMS-7 make it a must have on every technicians vehicle.

### Dimensions



### Specifications

Model	Color	Stock Number	Contact	Contact Rating	Contact Type	Max. Carry Current	Max. Switching Current	Breakdown Voltage	Operating Gap	Mounting Method	Operating Temperature Range
AMS-7	White	4350220	22AWG 12" Lead	10VA	Form A N.O	1.0 Amp	.5 Amp	200VDC	3/4"	Surface mount or Press fit	32°F to 120°F (0°C to 49°C)
	Brown	4350219			Form B N.C.						
AMS-7D	White	4350231									
	Black	4350221									

## X-ON Electronics

Largest Supplier of Electrical and Electronic Components

*Click to view similar products for [Switch Cases / Switch Covers](#) category:*

*Click to view products by [Amseco](#) manufacturer:*

Other Similar products are found below :

[704.925.2](#) [AMS-8C](#) [DPS8L2](#) [DPS8P2](#) [DPS8PW2](#) [AP-DV](#) [PBBOX1HBY](#) [PBBOX4HBY](#) [SA1074](#) [HE9Z-D5Y](#) [3107](#) [A3C-3002](#) [L188](#)  
[EUK-704.927.0](#) [EUK-704.927.4](#) [HE9Z-D5N1](#) [W42](#) [L180](#) [M539](#) [HE9Z-D5B](#) [08-0-0-01](#) [905](#) [08-0-0-02](#) [M1080](#) [A165-CTA](#) [M1080-1](#)  
[704.927.6](#) [51-920](#) [61-9922.0](#) [HW9Z-KL1](#) [9001K7](#) [A3PJ-5060](#) [113160](#) [2202](#) [113260](#) [2202](#) [113260](#) [M12](#) [2201](#) [L167](#) [SA1072](#) [M1080-2](#)  
[PBBOX1HBG](#) [PBBOX3HBG](#) [PBBOX4HBG](#) [1.20.810.302/0000](#) [3109](#) [3103](#) [3206](#) [3209](#) [61-9920.0](#) [61-9924.0](#) [61-9927.2](#) [76P02](#) [76P06](#)