

CM-4 SERIES ELECTRONIC CHIMES



CM-4 Chime



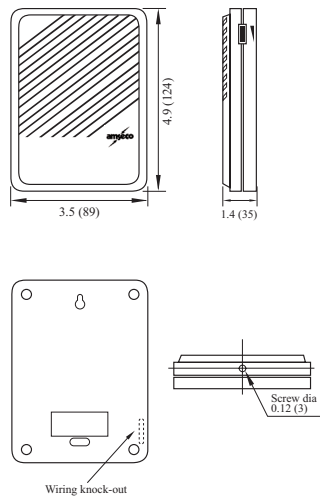
CM-4L Chime/LED

- Fully integrated electronic chime with volume control
- 2 selectable chime sounds for entry/exit
- Selectable high/low open collector triggers output that can be utilized for external circuit
- Low power consumption
- Screw terminal for easy wiring
- Operated with 12V DC or 12V AC
- Stand-alone system or can be integrated with People Counter Series EBP-407C and EWP-202C
- Super bright (LED) light built-in (CM-4L Only)
Entry = flashing light Exit = steady light

Stock Number - 4060002 CM-4
4060004 CM-4L

The CM-4/CM-4L is a high quality electronic low profile door chime that can be used as a stand-alone chime when activated with a push button. They can also be integrated with our complete line of people counters such as EBP-407C and EWP-202C. The CM-4 is a chime only and the CM-4L is a chime with LED light. The CM-4L is specially designed for the hearing impaired, and can be used in noisy and restricted areas where only the light signal is effective. Both can be powered with 12V DC or 12V AC supply.

Dimensions: inches (mm)

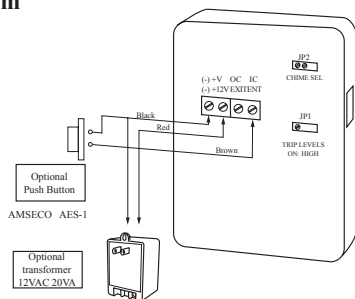


Specifications

Rated Voltage (AC/DC)	12V
Chime Sound Output	0-85 dB
Rated Current (Standby)	17mA
Rated Current (Activated)	300mA
Wiring Terminals	Ground (-) Positive (+)
Trigger Signal (JP1)	ON: HIGH OFF: LOW
Light Source (CM-4L)	Super bright L.E.D.'s
Operating Temperature Range	14 - 122°F -10 - 50°C

Note: CM-4 Kit and CM-4L Kit includes transformer, power cord, push button, installation wires, and hardware for complete installation.

Wiring Diagram



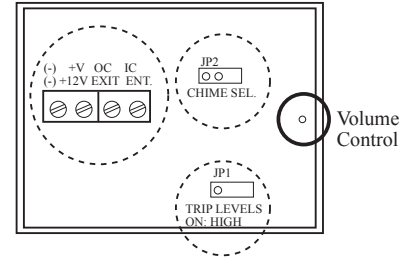
Terminal Strip

(-): Negative terminal (connect the power supply negative lead here)

+V/+12V: Positive terminal (connect the power supply positive lead here)

IC/ENTRY: Generates a “DING DONG” sound when triggered with a positive or negative signal and flashes four times.

OC/EXIT: Generates a “DING” sound when triggered with a positive or negative signal and flashes steady (3 sec.)



JP2 Chime Selector

The “JP2” jumper changes the tone of the chime from high frequency to low frequency

ON: High frequency (DING DONG)

OFF: Low frequency (DING DONG) factory setting

Note: The change of frequency will not affect the “DING” sound when the OC/EXIT terminal is triggered.

JP1 Trip Levels

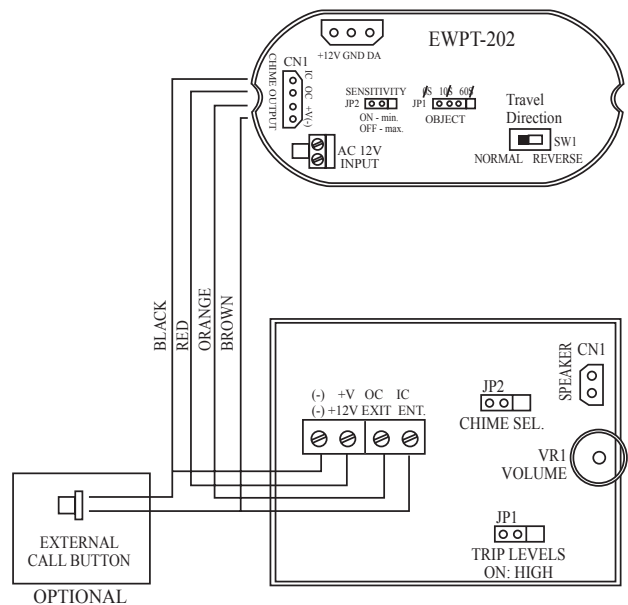
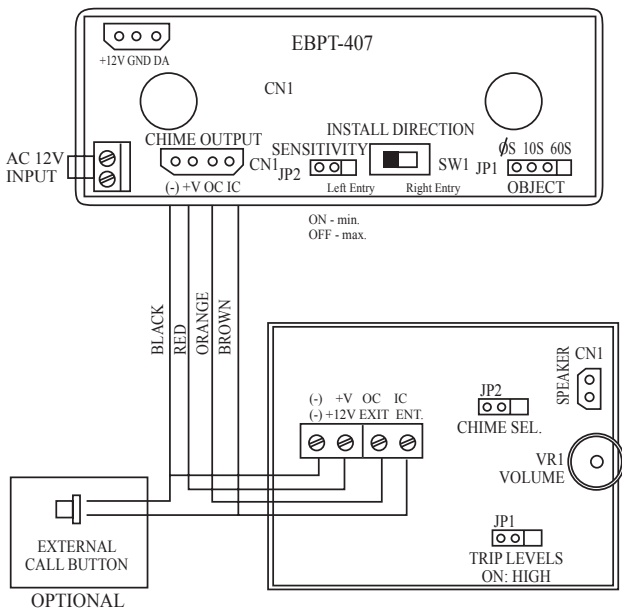
The “JP1” jumper changes the signal for triggering the chime

ON: A high or positive signal is required to trigger the chime

OFF: A low or negative signal is required to trigger the chime (factory setting)

Note: A steady, uninterrupted signal to either trigger terminal will create a constant sound.

Wiring to Amseco’s People Counters



X-ON Electronics

Largest Supplier of Electrical and Electronic Components

Click to view similar products for [Piezo Buzzers & Audio Indicators](#) category:

Click to view products by [Amseco](#) manufacturer:

Other Similar products are found below :

[68S1240-PA](#) [ESZ-26B](#) [FDG06PSLLF](#) [FDG111PLF](#) [F/DGX12P WITH LABEL LF](#) [F/EM12PLF](#) [F/NRMB 24 BLACK LF](#) [PF-35N29WQ](#)
[PFD-21A29W](#) [PFD-27A35PQ](#) [PL-21N30WQ](#) [PLD-21N30W](#) [PLD-21N30WQ](#) [PS-531Q](#) [PT-3534FP](#) [B822B](#) [B/CP28/100DB/BLACK LF](#)
[S6109](#) [SC110E](#) [SC2036ACP](#) [SC616N-2](#) [SC628FW](#) [SC628MPG](#) [SC648D](#) [SCS045MD9DT3S](#) [ESZ-25B-5-250B](#) [ESZ-25S](#) [F/BC 35-DR LF](#)
[FCM12PLF](#) [F/EB20P-DR LF](#) [AI-4228-TF-LW305-R](#) [F/SMD03A LF](#) [F/SU 21-02 LF](#) [F/UCW 03 WITH LABEL LF](#) [F/UCW 06 WITH](#)
[LABEL LF](#) [PFD-27N36W](#) [PKM35-4A0](#) [PL-35N29WQ](#) [PLD-27A35PQ](#) [PS-552Q](#) [REF-202](#) [B/SE 128 RED LF](#) [KBS-20DA-7AS](#) [KBS-](#)
[27DA-5C-105](#) [LSC628ANR](#) [PL-21N31PQ](#) [F-B-P1405ISB LF](#) [F/DGX 05P WITH LABEL LF](#) [B/CP 50 GREY LF](#) [MSR516NP](#)