

P POTTER
The Symbol of Protection



Security & Sprinkler
Product Catalog

Perimeter Protection.....	3	Explosion Proof Sprinkler Devices.....	19
Emergency Switches.....	4	Sprinkler Monitoring - Waterflow.....	20
Specialty Switches.....	4	Sprinkler Monitoring - Supervisory.....	22
Sensors.....	4	Sprinkler Monitoring - Pressure.....	24
Vault & Safe Protection.....	5	Security Products List.....	26
Hold Up Switches.....	6		
Sirens & Siren/Strobes.....	7		
Speakers.....	8		
Conical Strobes.....	9		
General Signaling Bells.....	9		
Overhead Door Contacts.....	10		
Piezo Sounders.....	10		
Surface Mount Magnetic Contacts.....	11		
Steel Door Magnetic Contacts.....	13		
High Security Contacts.....	13		
Recessed Magnetic Contacts.....	14		
Rare Earth Recessed Contacts.....	14		
Roller Ball Switches.....	15		
Door Cords.....	15		
Plunger Tamper Switches.....	16		
Door Announcers / People Counters.....	17		

Potter Security: Protection at the Perimeter

Keeping criminals off your premises is the best way to keep your building safe. However, when criminals do appear, you want to make certain you have a sure means of detecting them. Potter's Perimeter Protection devices provide an easy way detect, alert, and protect, from the fence all the way to the door.

Our fence sensors will alert your security control systems when someone tries to climb over or cut through, and our PIR motion detectors will detect any intruders who make it near the building. Our various types of magnetic contacts provide a last line of defense to notify you of a perimeter breach. Our sirens and strobes alone will provide enough commotion to scare most intruders away.



Initiating Devices

Potter produces a variety of high quality initiating devices to fulfill many applications. Detecting intruders as quickly as possible is the best way to keep your people and property protected.



Notification Devices

Potter initiating devices can be tied to intruder detection systems or directly to notification devices. These devices provide immediate audio/visual notification of a potential intruder.



Collectively, Potter Perimeter Protection devices provide a solid defense against intruders and keep your property safe.

Emergency Push Button Switch AES-1



- Colors: Brown or Ivory

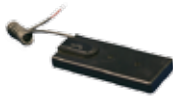
Push Button Switch ABS-1



- Blank button
- Color: Ivory

Specialty Switches

Money Clip (N/O, N/C Loop) AMC-2



- Fits standard cash register drawers
- Retractable cord
- Microswitch mechanism
- Color: Black
- Dimensions: 5.5"W x 2.16"H x 0.59"D

2-Conductor 21" Quick Disconnect Cord QDC-2



- Heavy duty cables with non-ferrous metal blades
- Stainless steel sash chains
- PVC jacketed cord with epoxy potted for low resistance

Armored Cable Fence Detector System (N/O, N/C Loop) AFS-101B



- Dual action alarm sensor
- SPDT Form C for open or closed loop
- Vibration resistant
- Armored cable
- Swivel mounting bracket
- Low cost solution

Sensors

Glass Shock Piezo Electric Sensor GSC-20N



- 1 second latch time on alarm
- Moisture proof
- 10' radius coverage
- Normally closed loop circuit
- Non-polarity
- 3M adhesive tape
- 3 ft. 2-conductor AWG #22
- Leads max. loop current: 40 mA
- Color: White

Float Switch OFL-331C with L-Bracket



- Fluid level sensor
- Waterproof and shock-proof
- Hermetically sealed
- Form C switch

Electronic Vibration Detector System EVD-1



- EVD-1: stand alone unit
- UL listed for ATM machines, safes and night deposits
- Allows UL complete certification
- Built-in accumulator & test circuit
- Exceptional sensitivity without false alarms
- Independent tamper output
- Multi-color status LED display
- Reliable, sensitive piezo sensor technology
- Listings: UL and ULC

Electronic Vibration Detector System EVD-2



- Consists of:
- EVD-M (Master Control Unit)
 - EVD-R (Remote Detector)
- EVD-M: expandable, 15 additional remote detectors with one control panel
 - Allows UL complete certification for safe and vault
 - Built-in accumulator & test circuit
 - Exceptional sensitivity without false alarms
 - Independent tamper output
 - Multi-color status LED display
 - On-board high security safe contact interface on EVD-R
 - Listings: UL and ULC

Safe/Vault Pak EVD-2C



- Consists of:
- EVD-2
 - One (1) HSC-1 high security safe contact

Vault Sound Alarm System VSA-2 Series



- Consists of:
- Main Controller
 - Microphone
 - Remote Test Annunciator (RTA)
 - Push button balancing
 - Manual sensitivity adjustment
 - On-board accumulator
 - Built-in test button and sounder
 - Integrated controller and microphone
 - Allows UL complete certification
 - Listing: UL

Safe Pak EVD-1C



- Consists of:
- EVD-1 stand alone unit
 - One (1) HSC-1 high security safe contact

Hold-up Switch

HUB-M



- Versatile and easy to install
- One DPDT contact
- 3 Amps at 28V DC/AC .05 Amp at 125 VDC resistive
- All-In-One Switch, momentary or latching
- Screw Terminals
- Listings: UL and ULC

Hold-up Switch

HUB-T



- Two Sets DPDT Contacts
- ABS Plastic Enclosure
- 3 Amps at 28V DC/AC .05 Amp at 125 VDC resistive
- All-In-One switch, momentary or latching
- Screw Terminals
- Listings: UL and ULC

Tool Resetable Hold-up Switch

HUS-7A



- ABS housing
- Large round push button
- Status window alarm indicator red/blue
- Terminal strip for easy wiring
- 125 VAC 5 Amps, 30 VDC 5 Amps
- Dimensions: 2"W x 1.06"H x 3"L
- Single pole double throw

Key Resetable Hold-up Switch

HUSK-20



- Stainless steel housing
- Status window alarm indicator red/blue
- Terminal strip for easy wiring
- 125 VAC 5 Amps, 30 VDC 5 Amps
- Dimensions: 2.13"W x 1.19"H x 3.66"L
- Operating temperature range: -4°F to 176°F
- Single pole double throw

Momentary Type, Double Button Hold-up Switch

HUSD-15BM



- Two push buttons for activation
- Hidden reset button and mounting screws
- Terminal strip for easy wiring
- 125 VAC 5 Amps, 30 VDC 5 Amps
- Dimensions: 2.2"W x 2.2"L x 1.1"H
- Color: White
- Single pole double throw

Latching Type, Double Button Hold-up Switch

HUSD-15BL



- Two push buttons for activation
- Hidden mounting screws
- Terminal strip for easy wiring
- 125 VAC 5 Amps, 30 VDC 5 Amps
- Dimensions: 2.2"W x 2.2"L x 1.1"H
- Color: White
- Single pole double throw

Durable Siren

SSX-52



- Self-contained indoor/outdoor siren
- Sturdy aluminum back plate
- Dual tamper protection
- 120dB sound output
- Warble sound output
- Mounts directly to wall or 4" square back box

Durable Siren/Strobe

SSX-52S



- Self-contained indoor/outdoor siren/strobe
- Sturdy aluminum back plate
- Dual tamper protection
- 120dB sound output
- Warble sound output
- Mounts directly to wall or 4" square back box
- Strobe consists of colored mirror and lens
- Strobe Colors: Amber, blue, clear, red

Indoor/Outdoor Electronic Siren

FSS-26T



- 125 dB sound output at 12 VDC 1.2 Amps
- Bidirectional mounting bracket
- 6-tone dip switch selectable: Slow-whoop, European Siren, Yelp, Raygun Warble, Pulsing Buzzer, and Raygun Yowl

25 Watt Durable Siren

SSX-82



- Self-contained indoor/outdoor siren
- Sturdy aluminum back plate
- Dual tamper protection
- Steady/Warble sound
- 25 Watt
- 127dB sound output

25 Watt Durable Siren/Strobe

SSX-82S



- Self-contained indoor/outdoor siren/strobe
- Sturdy aluminum back plate
- Dual tamper protection
- Steady/Warble sound
- 25 Watt
- 127dB sound output
- Strobe consists of colored mirror and lens
- Strobe Colors: Amber, blue, clear, red



15 Watt Armored Speaker SHX-52

- 15 watt speaker
- Self-Contained Indoor/Outdoor Speaker
- Sturdy aluminum back plate
- Strong Polycarbonate housing
- Dual tamper protection
- Frequency response range: 500-5000 Hz



15 Watt Armored Speaker/Strobe SHX-52S

- 15 watt speaker
- Self-Contained Indoor/Outdoor Speaker Strobe
- Sturdy aluminum back plate
- Strong Polycarbonate housing
- Dual tamper protection
- Frequency response range: 500-5000 Hz
- Available strobe lens colors: Amber, Blue, Clear, Red

Voice Siren Driver VSD-208



- Fire/burglar message in English, Spanish or both
- Temporal fire code
- Furious barking dogs
- 32 different selectable modes
- 8 distinctive sound options
- Field selectable Hi/Lo input levels
- Use with 4, 8, and 16 Ohm speakers
- Operates on 9 ~ 18 VDC



60,000 Candle Power Output Strobe SL-401

- 115 mA current draw
- Xenon tube technology
- Two wire connection
- Reverse polarity protection
- Operates on 12 VDC
- Optional Mounting Plate: 4SP-MW



160,000 Candle Power Strobe SL-5A Series

- Xenon tube technology
- Four wire connection
- Reverse polarity protection
- Optional Mounting Plate: 4SP-MW
- 12V/24V DC selectable
- Colors: Amber, Blue, Clear, and Red

General Signaling Bells

General Signaling Bell MBA-10G12PV2



- Aluminum gong
- Motor-driven bell
- Draws 68 mA at 12 VDC
- Polarized
- Gray finished gong

Hinged 12 VDC 10" Motor Bell and Box ABB-1014



- Hinged cover
- Dual UL tamper switches
- 10" UL motor driven bell
- Weather resistant powder coat paint
- Maximum 100 mA at 12 VDC
- Dimensions: 10.83"W x 10.83"H x 3.74"D

12 VDC 10" Motor Bell and Box ABB-1033



- Dual pre-wired reed tamper switches
- 10" motor driven bell
- Maximum 68 mA at 12 VDC
- Beige Finish
- Dimensions: 10.83"W x 10.83"H x 3.74"D

Overhead Door Contact

ODC-56 Series



- 2" operating gap
- 24" stainless steel armored cable
- Fixed magnet position
- Dimensions: 4.33"W x 1.57"H x 0.4"D

Overhead Door Contact

ODC-59 Series



- 2" operating gap
- Low profile switch enclosed in die-cast housing
- Magnet mounted on adjustable L-bracket
- 24" stainless steel armored cable
- Dimensions: 4.33"W x 1.57"H x 0.4"D

Mini Overhead Door Contact

ODC-59 MINI



- 2" operating gap
- Low profile switch enclosed in die-cast housing
- Magnet mounted on adjustable L-bracket
- 24" stainless steel armored cable
- Dimensions: 3.7"W x 1.57"H x 0.4"D

Horizontal Gap Overhead Door Contact

ODC-59A-HG Series



- 2" gap
- 7" horizontal gap
- Reduces false alarms on loose fitting overhead doors
- Low profile
- Magnet mounted L-bracket
- 24" stainless steel
- Dimensions: 5"W x 1.57"H x 0.4"D

Micro Mini Contact

AMS-9 Series



- Normally closed loop
- 1/2" Operating gap
- Magnet type: Alnico 5
- Self-adhesive and screw mount
- Small dual-purpose design
- 12" leads, AWG #22
- Colors: Brown, Gray, or Ivory
- Dimensions: 0.99"W x 0.26"H x 0.19"D

Concealed Leads Contact

AMS-59



- Normally closed loop
- 3/4" operating gap
- Magnet type: Ferrite magnet
- No terminal cover needed
- Colors: Brown, Gray, or White
- Dimensions: 2.50"W x 0.31"H x 0.51"D

Micro Surface/Press-Fit Contact

AMS-7 Series



- Available in N/O or N/C loop
- 3/4" operating gap
- Surface mount or 1/4" press-fit
- Adhesive/screw mount/press-fit
- Small dual-purpose design
- 12" leads, AWG #22
- Colors: Brown or White

Industrial Magnetic Contact

AMS-37L



- 2" operating gap
- Normally closed loop
- 24" PVC jacketed leads, AWG # 22
- Colors: Brown or Gray
- Dimensions: 3.89"W x 0.51"H x 0.51"D

Mini Contact with Leads and Snap-off Tabs

AMS-10 Series



- Normally closed loop 3/4" operating gap
- Self-adhesive and screw mount
- Alnico 5 magnet
- AMS-10C: Center leads
- AMS-10S: Side leads
- 24" leads, AWG #22
- Colors: Brown, Gray, or White
- Dimensions: 1.31"W x 0.57"H x 0.31"D

Industrial Magnetic Contact

AMS-37



- 2" operating gap
- Normally closed loop
- Colors: Brown or Gray
- Dimensions: 3.89"W x 0.51"H x 0.51"D

*AMS-37B Available with N/C or N/O loop

Piezo Sounders

Piezo-A-Lert

PAL Piezo



- Operates on 3 ~ 28 VDC
- Sound output: 93 dB at 3 feet
- 20 mA max. current draw at 28 VDC
- With or without nut
- Dimensions: 1.1"OD x 0.98"

ESZ Sounder

ESZ Series



- Operates on 3 ~ 28 VDC
- Sound output: 102 dB at 1 foot
- 20 mA max. current draw at 28 VDC
- Dimensions: 1.6"OD x 1.0"

Mini Contact with Terminals and Snap-off Tabs

AMS-T10C Series



- Normally closed loop 3/4" operating gap
- Self-adhesive and nail mount
- Alnico 5 magnet
- Covers included
- Colors: Brown or White
- Dimensions: 1.31"W x 0.57"H x 0.31"D

Mechanical Contact

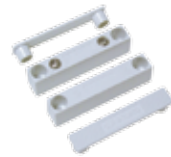
AMS-38B



- Available with N/C and N/O loop
- 5/8" operating gap
- AC rating: 300V 3 Amps
- Magnet type: Alnico 5
- Contact resistance under 150 mOhm
- Colors: Brown, Gray, or White
- Dimensions: 2.50"W x 0.31"H x 0.51"D

Quick Connect Magnetic Contact with Covers

AMS-51CV



- 1" operating gap
- Self-adhesive or screw mount
- Magnet type: Alnico 5
- No wire stripping required
- Colors: Brown, Gray or White
- Fit up to AWG #22 solid or stranded leads
- Dimensions: 1.91"W x 0.35"H x 0.50"D

3/4" Press Fit Steel Door Contact

AMS-26 Series



*AMS-26 Series Available with N/C or N/O loop

- 1-1/4" operating gap
- Magnet type: Alnico 5
- 24" leads, AWG #22
- Colors: Brown or Gray
- Dimensions: 0.75"OD x 1.56"L

3/4" Press Fit Steel Door Contact

AMS-25 Series



*AMS-25 Series Available with N/C or N/O loop

- 3/4" operating gap
- Magnet type: Alnico 5
- 24" leads, AWG #22
- Colors: Brown, Gray, or Ivory
- Dimensions: 0.75"OD x 1.18"L

Standard Surface Contact

AMS-39B



- Available with N/C and N/O loop
- 3/4" operating gap
- Magnet type: Ferrite magnet
- Colors: Brown or White
- Dimensions: 2.50"W x 0.51"H x 0.51"D

AMS-10 Switch and AMS-20 Magnet Combo

AMS-12



- 5/8" operating gap (Face to side)
- 3/4" operating gap (Face to face)
- Magnet type: Alnico 5
- 12" leads AWG #22
- Colors: Brown or White
- Dimensions: 1.31"W x 0.57"H x 0.31"D

5-Pack Surface Contact with Hardware

AMS-39CVS



- Normally closed loop
- 3/4" operating gap
- Includes: screws, covers, and spacers
- Magnet type: Ferrite magnet
- Colors: Brown or White
- Dimensions: 2.50"W x 0.31"H x 0.51"D

Standard Surface Contact

AMS-39



- Normally closed loop
- 3/4" operating gap
- Colors: Brown, Gray, or White
- Magnet type: Ferrite magnet
- Dimensions: 2.50"W x 0.31"H x 0.51"D

Anti-defeat Double Bias Contact (N/O, N/C Loop)

BMC-33B



- 1-3/8" ~ 3" operating gap
- 24" stainless steel armored cable
- Anodized aluminum housing
- 360° mounting capabilities
- Form C
- Dimensions: 3.94"W x 0.71"H x 0.51"

High Security Contacts

P2 Series High Security Sensor P2S and P2D



- Meets UL 634 Level 2 High Security Standard
- Resistant to External and Internal Magnetic defeat
- Unique cross hole mounting feature eliminates need for L and Z brackets on most installations
- Industry's most secure removal tamper sensor/circuit
- Resists permanent contact welding caused by lightning, power surges and stun guns
- Single and dual alarm contacts available

High Security Safe and Vault Door Contact

HSC-1



- Tamper Resistant
- Triple-biased reed alarm switches
- Comes pre-wired with armor cable
- Narrow housing allows mounting on narrow door frames
- Listings: UL and ULC

3/8" Press Fit Terminal Type Mini Contact

AMS-T17



- 5/16" operating gap
- Magnet type: Alnico 5
- Screw Terminals
- Colors: Brown or White
- Dimensions: 0.43"OD x 0.94"L

*Available AD-17 adapter housing allows 3/8" switch to be placed in 3/4" hole

3/8" Press Fit Terminal Type Contact

AMS-T21



- 5/8" operating gap
- Magnet type: Alnico 5
- Screw Terminals
- Colors: Brown or White
- Dimensions: 0.47"OD x 1.3"L

*Available AD-17 adapter housing allows 3/8" switch to be placed in 3/4" hole

3/4" Omnidirectional Plunger Wheel Switch

RSW-50 Series



- N/C Loop or N/O Loop
- 3 mm pre-travel stroke
- 5.8 mm overall stroke
- Colors: Brown or White

NOT AVAILABLE IN THE U.S. MARKET

3/4" Press Fit Roller Ball Switch RSW-21 Series



- Hardened stainless steel ball
- 25" leads, AWG #22
- 3 mm pre-travel stroke
- 5.2 mm overall stroke
- Color: Ivory
- RSW-21S Spacer

3/8" Press Fit Mini Contact

AMS-17



- 5/16" operating gap
- Magnet type: Alnico 5
- 12" leads, AWG #22
- Colors: Brown or White
- Dimensions: 0.43"OD x 0.64"L

*Available AD-17 adapter housing allows 3/8" switch to be placed in 3/4" hole

3/8" Press Fit Recessed Contact

AMS-21 Series



- N/C Loop or N/O Loop
- 5/8" operating gap
- Magnet type: Alnico 5
- 24" leads, AWG #22
- Colors: Brown, Gray, or White
- Dimensions: 0.47"OD x 1.44"L

*Available AD-17 adapter housing allows 3/8" switch to be placed in 3/4" hole

1/4" Press Fit Contact

AMS-20



- 5/8" operating gap
- Magnet type: Alnico 5
- 24" leads, AWG #22
- Colors: Brown, Gray, or White
- Dimensions: 0.25"OD x 1.18"L

Door Cords

4-Conductor Cords

ADC Series



- Available in 12" or 18" (jacketed)
- Colors: Brown or Gray

2-Conductor Door Cord

RDC-9



- Available in 11", 22", 24", or 48"
- Exclusive reversible housing
- Concealed wires and protective boot
- Normal length 21"
- Extended length 44"
- Colors: Brown or Ivory

2-Conductor Cords

NDC Series



- Available in 12" or 18"
- Exclusive reversible housing
- Concealed wires and protective boot
- Colors: Brown, Gray, or Ivory

2-Conductor Retractable Cord

RDC-36



- 1" gap magnetic contact
- Concealed wires and protective boot
- Normal length 11"
- Extended length 48"
- Colors: Brown or Ivory (Special Order)

Rare Earth Recessed Contacts

3/8" Mini-Recessed Contact

AMS-R17 Series

- 5/8" operating gap
- Rare Earth magnet
- Optional AD-17 adapter available
- Color: White
- Listing: UL

3/8" Recessed Contact

AMS-R21 Series

- 5/8" operating gap
- Rare Earth magnet
- Color: White
- Listing: UL

2-Conductor Retractable Cords

NRC Series



- Available in 24" or 48"
- Exclusive reversible housing
- Concealed wires and protective boot
- Colors: Brown, Gray, or Ivory

Reed Plunger PSW-1



- 25" Leads AWG #22
- 3 mm pre-travel stroke
- 7 mm overall operating stroke
- Colors: Ivory

3/8" Press Fit Plunger Switch PSW-21



- 25" Leads AWG #22
- 3 mm pre-travel stroke
- 7 mm overall operating stroke
- Operating force 100 ~ 200g
- Colors: Brown, Gray, or Ivory

Reed Plunger PSW-2



- 25" Leads AWG #22
- 3 mm pre-travel stroke
- 7 mm overall operating stroke
- (2) Reed switches in one housing
- Colors: Brown, Gray, or Ivory

Adapter Housing PSW-1H



- Specially designed for the PSW-1 Plunger
- Colors: Ivory

3/8" Press Fit Plunger with Flange PSW-22



- 25" Leads AWG #22
- 3 mm pre-travel stroke
- 7 mm overall operating stroke
- Color: Ivory

Mechanical Tamper Switch TSW-2T



- 0.2" Pre-travel stroke
- 0.5" Overall operating stroke
- (2) Self-cleaning split blade contacts
- Color: Ivory
- Dimensions: 1"W x 0.69"H x 2.09"D

*PSW-22 Available with
N/C or N/O loop

Electronic Chime with Volume Control CM-4



- Operates on 12V AC/DC
- 0-85 dB adjustable sound
- 2 distinctive chime sounds
- Selectable Hi/Lo frequency sound
- Includes: Electronic chime with volume control and 26 ft. 4 conductor (AWG #22) wire with a 4-pin female connector installed at one end
- Optional extra chime for EBP-407C

Electronic Chime Kit with LED CM-4L Kit



- Operates on 12V AC/DC
- 0-85 dB adjustable sound
- 2 distinctive chime sounds
- Selectable Hi/Lo frequency sound
- Choice of positive or negative chime trigger
- Two way flashing light
- Includes: Electronic chime with volume control and LED light, AES-1 Push Button, transformer, and 26 ft. 4 conductor (AWG #22) wire with a 4-pin female connector installed at one end

Electronic Chime Kit CM-4 Kit



- Operates on 12V AC/DC
- 0-85 dB adjustable sound
- 2 distinctive chime sounds
- Selectable Hi/Lo frequency sound
- Choice of positive or negative chime trigger
- Includes: Electronic chime with volume control, AES-1 Push Button, transformer, and 26 ft. 4 conductor (AWG #22) wire with a 4-pin female connector installed at one end

Electronic Chime CM-5



- 12V DC input
- 4 selectable chime sounds
- Adjustable sound level
- Includes electronic chime and 26 ft. lead
- Optional extra chime for EBP-401

Wireless Chime Kit with Volume Control for EWP-202C CMW-202 Kit



- 200 ft. wireless (RF) range transmission
- 2 distinctive chime sounds
- Choice of negative or positive chime trigger
- Selectable Hi/Lo frequency sound
- Includes: Wireless electronic chime, transformer, and wire

Electronic Chime with LED CM-4L



- Operates on 12V AC/DC
- 0-85 dB adjustable sound
- 2 distinctive chime sounds
- Selectable Hi/Lo frequency sound
- Choice of positive or negative chime trigger
- Two way flashing light
- State-of-the-art reflective lens
- Includes: Electronic chime with volume control and LED light and 26 ft. 4 conductor (AWG #22) wire with a 4-pin female connector installed at one end

Video-Eye™ Digital Video People Counter

VDP-100



- Entry/Exit bidirectional people counter using CMOS Camera
- Precise entry/exit recognition using digital signal processor and unique algorithm
- Easy installation - no reflector required
- NTSC video output capability for monitoring camera use
- Entry/Exit traffic counting (6-digit)
- Power failure memory back-up
- Volume control

Wireless Traffic Counter and Announcer

EWP-202C



- Remote entry/exit resettable counter (6-digit)
- 200 ft. wireless (RF) transmission
- 16 million security I.D. codes
- Wireless push button for back door included
- Power failure memory back-up
- Includes: 6-digit counter, IR beam sensor, chime, wireless push button, reflector, mounting brackets, transformer, and wire

Door Announcer System

EBP-401



- 40 ft. operating distance across doorway
- Exclusive entry and exit infrared beams
- Adjustable volume control
- Includes: IR beam sensor, chime, reflector, mounting brackets, transformer, and wire

Extra Wireless Push Button

EWPP-202



- 200 ft. wireless (RDF) range transmission
- Includes: 2.3A, 12 VDC battery

Counter and Announcer Chime with Volume Control

EBP-407C



- Digital, resettable traffic counter (4-digit)
- 20 ft. operating distance across doorway
- Exclusive entry and exit infrared beams
- Chime with volume control
- Includes: 4-digit counter, IR beam sensor, chime, reflector, mounting brackets, transformer, and wire



EBP-407LC

Explosion Proof Supervisory Switches

OSYS-U-EX and PIVS-U-EX

- Contact Rating: 15 Amps at 125 VAC, 1/2 Amp at 125 VDC
- -40°F to 140°F
- OSYS-U-EX: Installs on OS & Y valves 1/2"-12"
- PIVS-U-EX: Installs on post indicator valves and butterfly valves with 1/2" mounting nipple
- One year warranty
- Listing: UL enclosure



Outdoor Explosion Proof OS&Y Switch

OSYSU-EX-O

- Contact Rating: 15 Amps at 125 VAC, 1/2 Amp at 125 VDC
- -13°F to 140°F
- Listing: UL enclosure



Explosion Proof Vane Type Waterflow Switch

VSR-FEX

- NEMA 4 and 9 solid metal enclosure
- 0-90 second pneumatic retard
- 450 psi system pressure rated
- Non-corrosive saddle bushing
- Two 1/2" threaded connections for conduit
- Pipe schedules 10-40 sizes 2"-8"
- One year warranty
- Listings: UL, cUL, CSFM, and FM



Explosion Proof Pressure Switches

PS10-EX and PS40-EX

- NEMA 4 and 9 solid metal enclosure
- 250 psi system rated pressure
- 1/2" NPT male brass fitting
- PS10-EX set for operation at:
 - Two switches operate on pressure increase at 6 psi
 - Two switches operate on pressure decrease at 5 psi
- PS40-EX set for operation at:
 - One switch operates on pressure decrease at 30 psi
 - Second switch operates on pressure increase at 50 psi
- One year warranty
- Listings: UL, cUL, CSFM, FM, and NYMEA



Waterflow Alarm Switch

VSR



- NEMA 4 solid metal enclosure
- Factory installed neoprene gasket
- Visual switch activation
- Field replaceable switches
- Field replaceable retard
- 0-90 second pneumatic retard
- 450 psi system pressure rated
- Synchronized switch action
- No water to metal contact, eliminates any corrosion possibility
- Separate isolated wiring chambers eliminate NEC questions regarding multi-voltage applications
- Two 1/2" KOs for dual voltage applications
- Pipe schedules 10-40, sizes 2" - 10"
- Five year warranty (One year warranty on 10")
- Listings: UL, cUL, FM, CSFM, and NYMEA

Waterflow Alarm Switch With Union

VSR-SG/ST



- NEMA 4 solid metal enclosure
- Factory installed neoprene gasket
- 0-90 second pneumatic retard
- 175 psi system pressure rated
- 1" male CPVC fitting or 1" NPT bushing
- Fits CPVC pipe sizes 1", 1 1/4", 1 1/2", and 2"
- Special fitting allows for installation in confined spaces
- Five year warranty
- Listings: UL, cUL, CSFM, and NYMEA

Waterflow Alarm Switch Small Pipe

VSR-S



- NEMA 4 solid metal enclosure
- Factory installed neoprene gasket
- 0-90 second pneumatic retard
- 250 PSI system pressure rated
- Two 1/2" KOs for dual voltage applications
- 1" threaded brass bushing fits pipe sizes 1"- 2"
- Ideal for both commercial and residential applications.
- Five year warranty
- Listings: UL, cUL, CSFM, and NYMEA

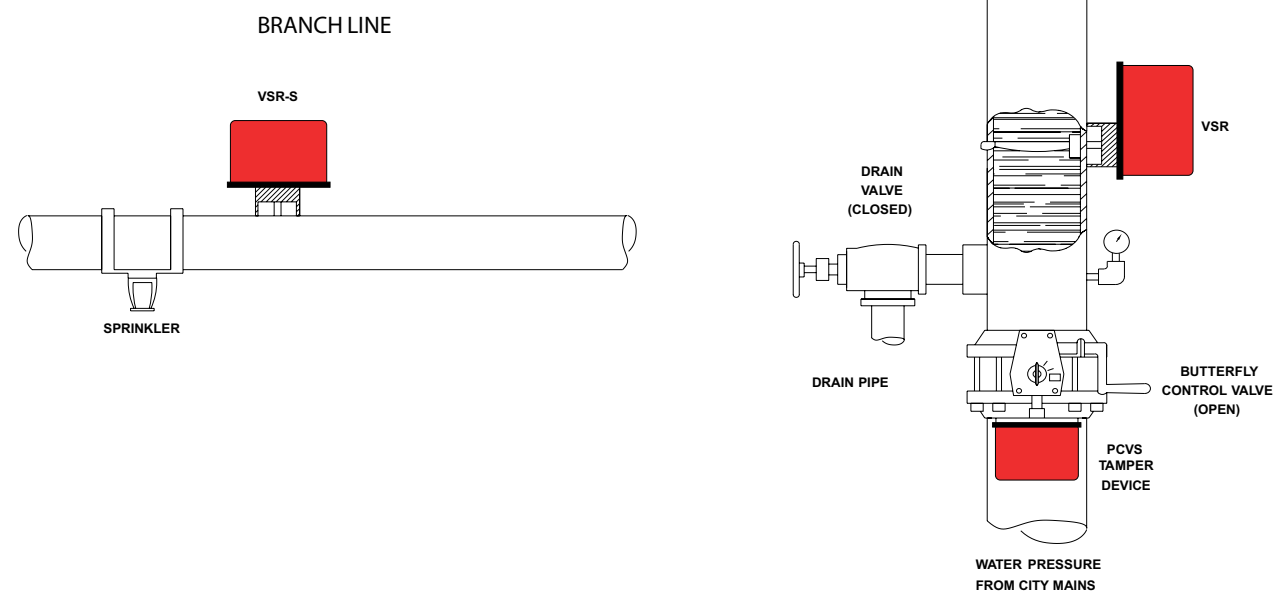
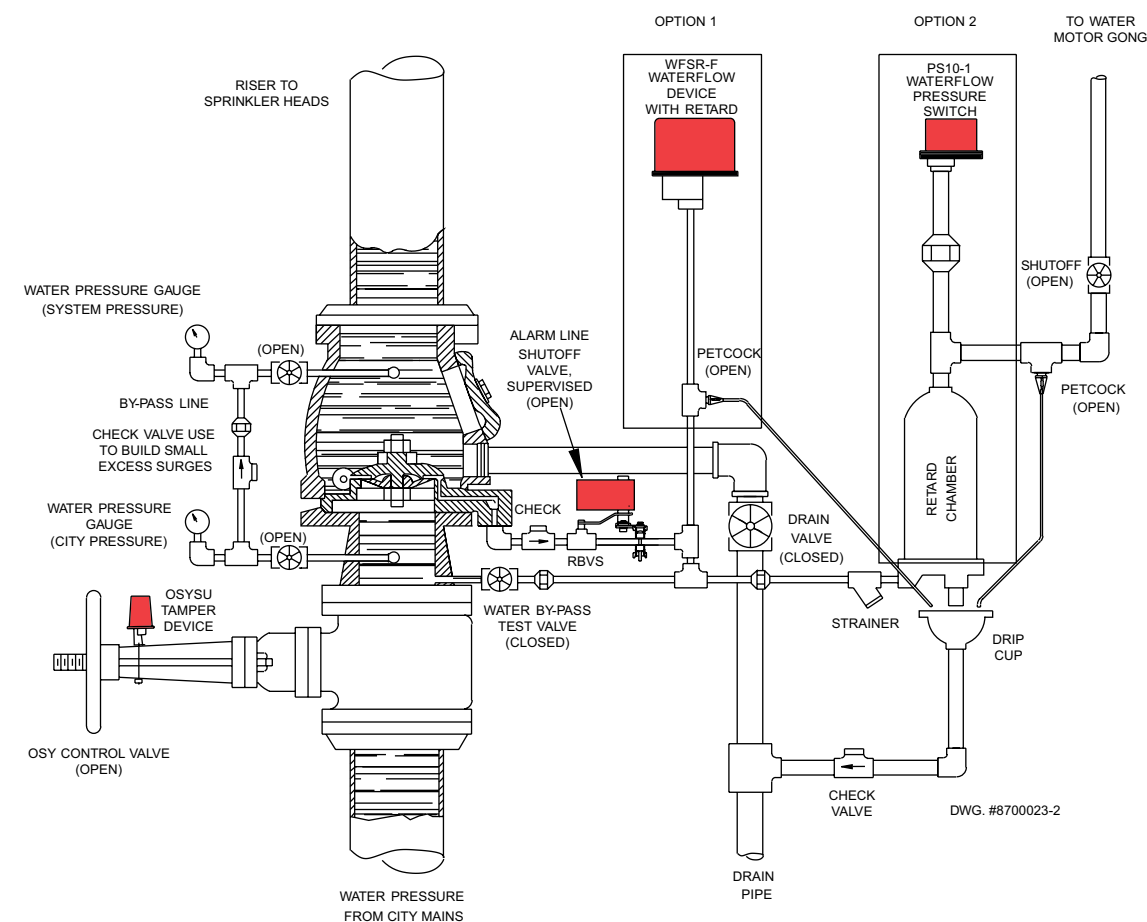
Waterflow Pressure Switch for Alarm Valves

WFSR-F



- NEMA 4 solid metal enclosure
- Factory installed neoprene gasket
- Used on wet systems in place of retard chamber
- 0-90 second pneumatic retard
- 175 psi system pressure rated
- 1/2" male NPT fitting
- Two 1/2" KOs for dual voltage applications
- Five year warranty
- Listings: UL, cUL, CSFM, FM, and NYMEA

WET PIPE SPRINKLER SYSTEMS ALARM CHECK VALVE



Room Temperature Switch

RTS-O/-C



- Designed to warn of potential sprinkler pipe freezing or other cold detection applications
- White ABS enclosure
- Epoxy sealed stainless steel case, bimetallic operating mechanism sensor
- Silver clad contacts
- RTS-O: Normally open
- RTS-C: Normally closed
- Temperature setting: 40° +/- 5°F, 5°+/-3°C

Plug Type Supervisory Switch

PTS-C



- NEMA 6P (Submersible)
- Replaces the PMS and PTS-B
- Factory installed neoprene gasket
- SPDT contacts 100 mA at 28 VDC/AC, 250 mA at 12 VDC/AC
- SPDT cover tamper 250 mA at 28 VDC/AC
- Dimensions 7"L x 3.75"W x 3"D (Including Bracket)
- Temperature rating -40°F to 140°F
- Five year warranty
- Listings: UL, cUL, FM, NYMEA, and CSFM

Control Valve Supervisory Switch

PCVS-2



- NEMA 6P (Submersible)
- Factory installed neoprene gasket
- PCVS-2: two sets of SPDT (Form C)
- 1/2" male NPT fitting
- Fully adjustable stainless steel trip rod
- Installs on wall and post indicator valves, butterfly valves in any position
- Five year warranty
- Listings: UL, cUL, CSFM, FM, and NYMEA

Outside Screw & Yoke Valve Supervisory Switch

OSYSU-1/-2



- NEMA 6P (Submersible)
- Factory installed neoprene gasket
- OSYSU-1: one set of SPDT (Form C)
- OSYSU-2: two sets of SPDT (Form C)
- Fits 1/2" - 12" valves
- Fully adjustable stainless steel trip rod cuts installation time by 75%
- Installs on OS&Y valves in any position
- Five year warranty
- Listings: UL, cUL, CSFM, FM, and NYMEA

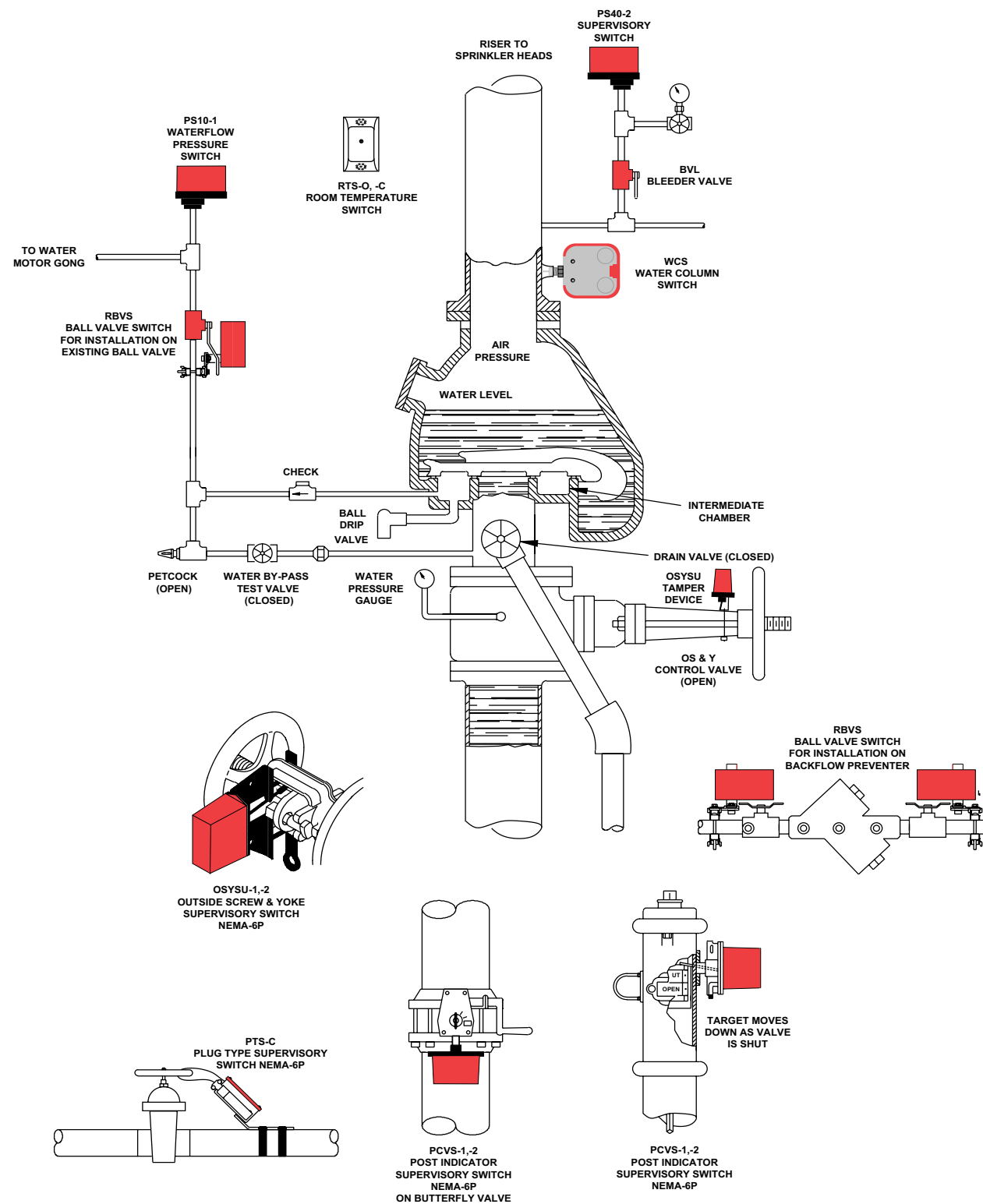
Retrofit Ball Valve Switch

RBVS



- Monitors alarm line ball valves
- Perfect for backflow preventers 1" - 2"
- Mounts on standard & "T" style valves
- NEMA 4 rated enclosure for indoor and outdoor use
- Fits virtually any 1/2" - 2" ball valve
- Optional cover tamper switch
- US Patent 6,945,509
- Listings: UL, cUL, NYMEA, and FM

DRY PIPE VALVE SYSTEM WATERFLOW ALARM INSTALLATION



As of May 1, 2009 all ULC and cUL products include tamper proof screws and are available through Canadian distributors.

PRE-ACTION DELUGE SYSTEM SINGLE ZONE/ELECTRIC CROSS ZONE



Pressure Type Waterflow Alarm/Supervisory Switch

PS10-2

- NEMA 4 solid metal enclosure
- Factory installed neoprene gasket
- 300 psi system pressure rated
- 1/2" male NPT fitting
- Two 1/2" knockouts for dual voltage applications
- Separate isolated wiring chambers eliminate NEC questions regarding multi-voltage applications
- Factory set for operation at:
Pressure Increase at 6 psi
Pressure Decrease at 5 psi
- PS10-1, one set of SPDT (Form C)
- PS10-2, two sets of SPDT (Form C)
- Five year warranty
- Listings: UL, cUL, CSFM, FM, and NYMEA



High/Low Pressure Switch

PS40-2

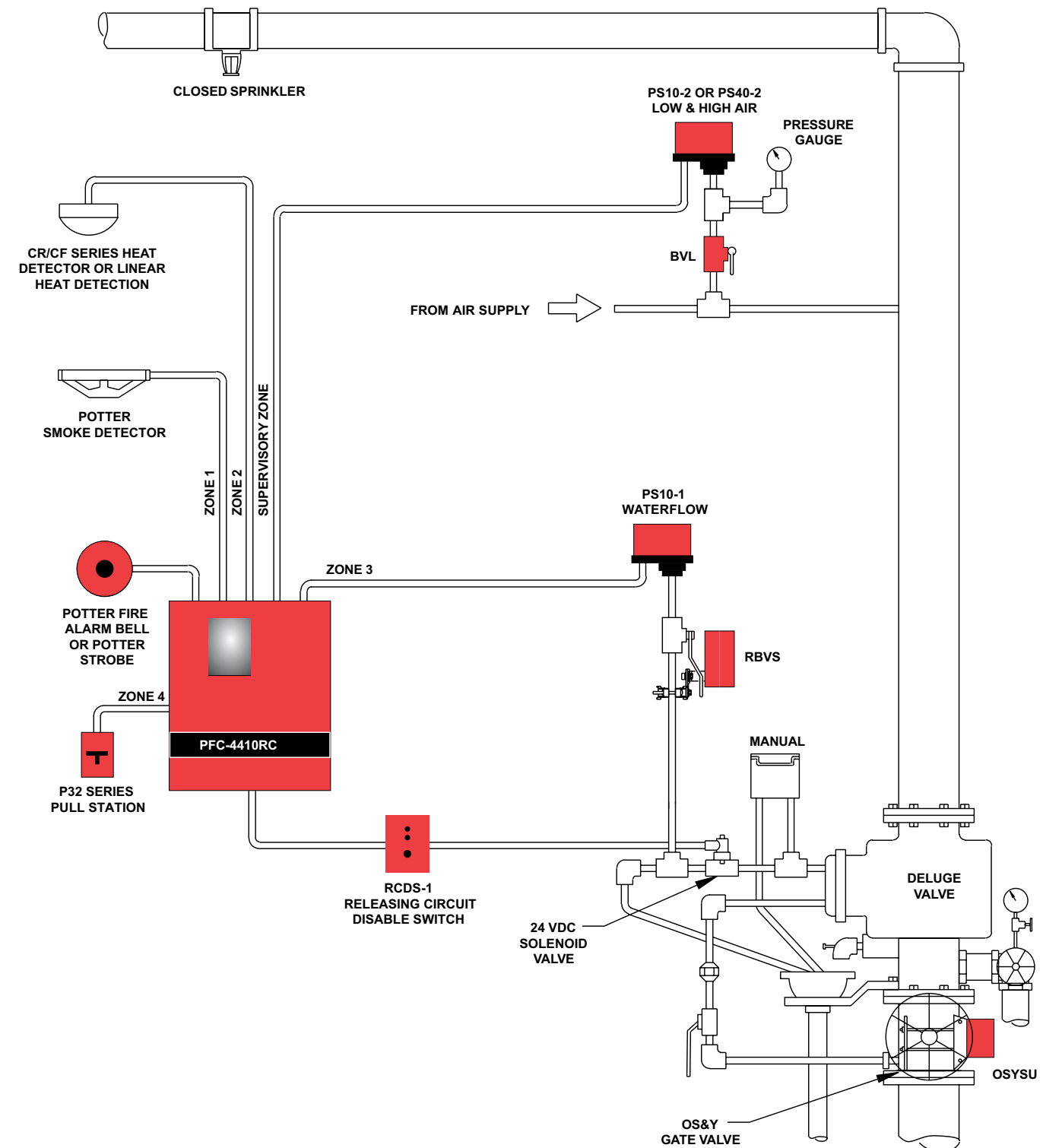
- NEMA 4 solid metal enclosure
- Factory installed neoprene gasket
- 300 psi system pressure rated
- 1/2" male NPT fitting
- Two 1/2" knockouts for dual voltage applications
- Separate isolated wiring chambers eliminate NEC questions regarding multi-voltage applications
- Factory set for operation at:
PS40-1 Pressure Decrease at 30 psi
PS40-2 Pressure Increase at 50 psi, Pressure Decrease at 30 psi
- Five year warranty
- Listings: UL, cUL, CSFM, FM, and NYMEA



Lever Type Bleeder Valve

BVL

- For use as a test valve for supervisory pressure switches on wet pipe sprinkler systems that have excess pressure and dry pipe sprinkler systems
- Should be installed in-line with pressure device
- Convenient means for removal or testing the pressure actuated device without affecting the pressure in the system
- 1/2" NPT connections



Emergency Switches

Stock #	Model #	Description
4400016	AES-1	Emergency Push Button Switch Ivory
4400017	ABS-1	Blank Push Button Switch Ivory

Specialty Switches

Stock #	Model #	Description
4470001	AMPS-10A	5/16" Gap Pull-Apart Surface Mount (N.C. Loop) White
4470003	AMPS-21A	5/16" Gap Pull-Apart Recessed Mount (N.C. Loop) White
4390001	AMC-2	N.O./N.C. Money Clip Switch
4300020	QDC-2	Two Conductor 21" Quick Disconnect Cord
2020014	FDT-J	Flexible Door Trap Jack
2020015	FDT-P	Flexible Door Trap Plug
1010108	RTS-O	Room Temperature Switch, SPST, N.C.
1010109	RTS-C	Room Temperature Switch, SPST, N.C.
4440003	AFS-101B	Armored Cable Fence Detector

Sensors

Stock #	Model #	Description
4340003	GSC-20N	Glass Break Sensor N.C. Loop
4420003	OFL-331	Fluid Level Sensor With L-Bracket N.O./N.C.

Vault & Safe Protection

Stock #	Model #	Description
2000103	VSA	Amplifier Unit
5130080		Battery 6V, 4AH
2000034	PSM-F	Microphone, Flush Mount
2000035	PSM-FT	Microphone With Test Buzzer, Flush Mount
2020290	EVD-1	Electronic Vibration Detection System For Safes, Stand-Alone
2020300	EVD-2	Electronic Vibration Detection System For Safes, Microprocessor Based
2020250	EVD-M	Master Unit, Same as EVD-1 But Expandable
2020260	EVD-R	Pick-Up Unit
2020230	EVD-1C	Safe Pak, EVD-1 With HSC-1
2020240	EVD-2C	Safe/Vault Pak, EVD-2 With HSC-1
2000076	VSA-2K	VSA-1, VSM, RTA
2000075	VSA-1K	VSA-1, RTA
2000070	VSA-1	Integrated Control and Microphone

2000071	VSM	Microphone
2000072	VFM	Flush Mount Kit

Vault & Safe Accessories

Stock #	Model #	Description
2000073	RTA	Remote Test Annunciator for VSA-2 Series
2020270	RTA	Remote Test Annunciator for EVD-1 and EVD-2
5210408	B Cable	High Security Cable (100' per roll)
2000106	APC	Accumulator Pulse Counter for VSA System
2020128	APC-B	Accumulator Pulse Counter for EVD-S System
2020121	PTU-B	Remote Test Annunciator for EVD-S & VSA Systems
2020350	HSC-1	High Security Safe Contact, SPDT Contact

Hold-Up Switches

Stock #	Model #	Description
2020130	HUB-M	Hold-Up Button, DPDT, One Button, Latching or Momentary
2020132	HUB-T	Hold-Up Button, DPDT, Two Buttons, Latching or Momentary
4370034	HUS-7A	Hold-Up Switch Tool Resettable SPDT (N./O., N./C. Loop)
4370038	HUSK-20	Hold-Up Key Resettable Switch SPDT (N./O., N./C. Loop)
4370037	HUSD-15BM	Momentary Type, Double Hold-Up Switch SPDT (N./O., N./C. Loop)
4370036	HUSD-15BL	Latching Type, Double Hold-Up Switch SPDT (N./O., N./C. Loop)
4370039	HUSK 20	Reset Key

Sirens & Siren/Strobes

Stock #	Model #	Description
4150024	SSX-52	Indoor/Outdoor 6-12 VDC Self-Contained Siren Beige 120dB
4150025	SSX-52SA	Indoor/Outdoor 12 VDC Self-Contained Siren/Strobe Beige Amber Lens 120dB
4150026	SSX-52SB	Indoor/Outdoor 12 VDC Self-Contained Siren/Strobe Beige Blue Lens 120dB
4150027	SSX-52SC	Indoor/Outdoor 12 VDC Self-Contained Siren/Strobe Beige Clear Lens 120dB
4150028	SSX-52SR	Indoor/Outdoor 12 VDC Self-Contained Siren/Strobe Beige Red Lens 120dB

4150032	SSX-82	Indoor/Outdoor 25 Watt 12 VDC Siren Beige 127dB
4150033	SSX-82SA	Indoor/Outdoor 25 Watt 12 VDC Siren/Strobe Amber 127dB
4150034	SSX-82SB	Indoor/Outdoor 25 Watt 12 VDC Siren/Strobe Blue 127dB
4150035	SSX-82SC	Indoor/Outdoor 25 Watt 12 VDC Siren/Strobe Clear 127dB
4150036	SSX-82SR	Indoor/Outdoor 25 Watt 12 VDC Siren/Strobe Red 127db

Speakers

Stock #	Model #	Description
4210024	SHX-52	Indoor/Outdoor 15 Watt 12 VDC Armored Speaker Beige
4210025	SHX-52SA	Indoor/Outdoor 15 Watt 12 VDC Armored Speaker/Strobe Amber
4210027	SHX-52SC	Indoor/Outdoor 25 Watt 12 VDC Armored Speaker/Strobe Clear
4210028	SHX-52SR	Indoor/Outdoor 25 Watt 12 VDC Armored Speaker/Strobe Red
4210026	SHX-52SB	Indoor/Outdoor 25 Watt 12 VDC Armored Speaker/Strobe Blue
4170002	VSD-208	Voice Siren Driver w/ Barking Dog
4150002	FSS-26T	Indoor/Outdoor 12 VDC Six-Tone Trumpet Siren 125dB

Conical Strobes

Stock #	Model #	Description
4190016	SL-401	12 VDC Strobe Amber Lens
4190017	SL-401	12 VDC Strobe Blue Lens
4190018	SL-401	12 VDC Strobe Clear Lens
4190019	SL-401	12 VDC Strobe Red Lens
4670028	SL-5A	12/24 VDC 4 Wire Strobe Amber Lens
4670027	SL-5A	12/24 VDC 4 Wire Strobe Blue Lens
4670026	SL-5A	12/24 VDC 4 Wire Strobe Clear Lens
4670029	SL-5A	12/24 VDC 4 Wire Strobe Red Lens
4270043	4SP-M(W)	4SP-MW MOUNTING PLATE FOR SL-5

Burglar Bells

Stock #	Model #	Description
4030002	MBA-10G12PV2	Motor Driven General Signaling Bell (Gray)
4010003	ABB-1014	Bell Box Hinged Almond
4010009	ABB-1033	12VDC Motor Bell With Hinged Box Beige

Piezo Sounders

Stock #	Model #	Description
4050001	PAL-328	Piezo Without Nut
4050002	PAL-328N	Piezo With Nut
4050004	ESZ-25S	Piezo Single Tone
4050003	ESZ-25B	Piezo Steady/ Pulsate Tone
4050005	ESZ-26B	Piezo Dual Tone

Overhead Door Contacts

Stock #	Model #	Description
4410014	ODC-56A	SPST Overhead N/C Loop
4410015	ODC-56B	SPDT Overhead (Form C)
4410017	ODC-59 Mini	Mini Overhead Door Contact
4410003	ODC-59A	SPST Overhead Switch With L Bracket
4410006	ODC-59B	SPDT Overhead Switch With L Bracket
4410004	ODC-59A-36	36" S/S Armored Cable
4410018	ODC-59A-HG	SPST Horizontal Gap Overhead Door Contact
4410019	ODC-59B-HG	SPDT Horizontal Gap Overhead Door Contact
4270005	L BRACKET 59	L-Bracket for ODC-59 (27-110L)

Surface Mount Magnetic Contacts

Stock #	Model #	Description
4350219	AMS-7	3/4" Gap Micro-Mini Surface/Pressfit Contact N.C. Brown
4350220	AMS-7	3/4" Gap Micro-Mini Surface/Pressfit Contact N.C. White
4350222	AMS-9	1/2" Gap Micro-Mini Surface Mount Contact N.C. Ivory
4350090	AMS-9	1/2" Gap Micro-Mini Surface Mount Contact N.C. Brown
4350091	AMS-9	1/2" Gap Micro-Mini Surface Mount Contact N.C. Grey
4350093	AMS-9MG	Mag Only Ivory
4350098	AMS-10C	3/4" Gap Mini Contact Center Leads N.C. Brown
4350100	AMS-10C	3/4" Gap Mini Contact Center Leads N.C. Grey
4350108	AMS-10C	3/4" Gap Mini Contact Center Leads N.C. White
4350099	AMS-10S	3/4" Gap Mini Contact Side Leads N.C. Brown

4350101	AMS-10S	3/4" Gap Mini Contact Side Leads N.C. Grey
4350104	AMS-10S	3/4" Gap Mini Contact Side Leads N.C. Ivory
4350109	AMS-10S	3/4" Gap Mini Contact Side Leads N.C. White
4350106	AMS-T10C(B)	3/4" Gap Mini Contact Terminal Type N.C. Brown
4350107	AMS-T10C(W)	3/4" Gap Mini Contact Terminal Type N.C. White
4350111	AMS-10MG	Magnet Only Grey
4350112	AMS-10MG	Magnet Only Ivory
4350113	AMS-10MG	Magnet Only White
4350027	AMS-10MG	Magnet Brown
4350168	AMS-37	2" Gap Industrial Magnetic Contact N.C. Brown
4350170	AMS-37	2" Gap Industrial Magnetic Contact N.C. Grey
4350180	AMS-37H	Case Spacer Brown
4350181	AMS-37H	Case Spacer Grey
4350060	AMS-37L	2" Gap Industrial Magnetic Contact 24" Leads N.C. Brown
4350172	AMS-37LG	2" Gap Industrial Magnetic Contact 24" Leads N.C. Grey
4350174	AMS-37LG	2" Gap Industrial Magnetic Contact 48" Leads N.C. Grey
4350178	AMS-37MAG	Magnet and L-Bracket Gray
4350177	AMS-37MG	Alnico 2 Magnet Grey
4350182	AMS-37S	Flat Spacer Brown
4350183	AMS-37S	Flat Spacer Grey
4370003	AMS-38B	5/8" Gap Surface Mount AC Rated Mechanical Contact N.C./N.O. Ivory
4370013	AMS-38B	5/8" Gap Surface Mount AC Rated Mechanical Contact N.C./N.O. Brown
4370015	AMS-38B	5/8" Gap Surface Mount AC Rated Mechanical Contact N.C./N.O. Grey
4370017	AMS-38B	5/8" Gap Surface Mount AC Rated Mechanical Contact N.C./N.O. White
4370021	AMS-38MG	Magnet Only White
4370005	AMS-38MG(B)	Magnet Only Brown
4370028	AMS-38S	Flat Spacer AMS3839 Brown
4370029	AMS-38S	Flat Spacer AMS3839 Grey
4370031	AMS-38S	Flat Spacer AMS3839 White

4440004	BMC-33B	3" Gap Anti-Defeat Double Bias Contact 24" Armored Cable
4350187	AMS-39	3/4" Gap Standard Surface Mount Contact N.C. Brown
4350188	AMS-39	3/4" Gap Standard Surface Mount Contact N.C. Grey
4350190	AMS-39	3/4" Gap Standard Surface Mount Contact N.C. White
4350202	AMS-39B	3/4" Gap Standard Surface Mount Contact N.C./N.O. Brown
4350204	AMS-39B	3/4" Gap Standard Surface Mount Contact N.C./N.O. White
4350184	AMS-39CVS	3/4" Gap Surface Mount Contact N.C. Brown w/ Screws, Covers, and Spacers
4350067	AMS-39CVS	3/4" Gap Surface Mount Contact N.C. Grey w/ Screws, Covers, and Spacers
4350185	AMS-39CVS	3/4" Gap Surface Mount Contact N.C. Ivory w/ Screws, Covers, and Spacers
4350186	AMS-39CVS	3/4" Gap Surface Mount Contact N.C. White w/ Screws, Covers, and Spacers
4350191	AMS-39MG	Magnet Only Brown
4350193	AMS-39MG	Magnet Only White
4350075	AMS-39MG	Magnet Only Grey
4350198	AMS-8C	Cover For AMS-38/39 Brown
4350199	AMS-8C	Cover For AMS-38/39 Grey
4350201	AMS-8C	Cover For AMS-38/39 White
4350215	AMS-51CVM	1" Gap Surface Mount Quick Connect Magnet w/ Cover N.C. White
4350211	AMS-51CV	1" Gap Surface Mount Quick Connect Contact w/ Cover N.C. Brown
4350212	AMS-51CV	1" Gap Surface Mount Quick Connect Contact w/ Cover N.C. Grey
4350213	AMS-51CV	1" Gap Surface Mount Quick Connect Contact w/ Cover N.C. White

Steel Door Contacts

Stock #	Model #	Description
4350158	AMS-25A	3/4" Press Fit Steel Door Contact N.C. Grey
4350159	AMS-25A	3/4" Press Fit Steel Door Contact N.C. Ivory
4350051	AMS-25A	3/4" Press Fit Steel Door Contact N.C. Brown
4350157	AMS-25B	3/4" Press Fit Steel Door Contact N.C./N.O. Grey

4350052	AMS-25B	3/4" Press Fit Steel Door Contact N.C./N.O. Brown
4350160	AMS-26A	1 1/4" Press Fit Steel Door Contact N.C. Grey
4350056	AMS-26A	1 1/4" Press Fit Steel Door Contact N.C. Brown
4350233	AMS-26B	1 1/4" Press Fit Steel Door Contact N.O./N.C. Gray

High Security Contacts

Stock #	Model #	Description
4440004	BMC-33B	Anti-Defeat Double Bias Contact
2020350	HSC-1	SPDT High Security Contact
2020420	P2D	Level 2 Dual Contact High Security Switch
2020410	P2S	Level 2 High Security Contact

Recessed Magnetic Contacts

Stock #	Model #	Description
4350118	AMS-17	5/16" Gap Press Fit Recessed (N/C Loop) Switch & Magnet 3/8" Brown
4350121	AMS-17	5/16" Gap Press Fit Recessed (N/C Loop) Switch & Magnet 3/8" White
4350037	AMS-17MG	3/8 Recessed Magnet White
4350124	AMS-17MG	3/8 Recessed Magnet Brown
4350001	AMS-R17	5/8" Gap Press Fit Recessed (N/C Loop) Switch & Magnet 3/8" Rare Earth
4350003	AMS-RT17	5/8" Gap Press Fit Recessed Terminal Type (N/C Loop) Switch & Magnet 3/8" Rare Earth
4350133	AMS-20	5/8" Gap Press Fit Recessed Mini Contact 1/4" (N/C Loop) Switch & Magnet Brown 24" Leads
4350136	AMS-20	5/8" Gap Press Fit Recessed Mini Contact 1/4" (N/C Loop) Switch & Magnet White 24" Leads
4350137	AMS-20MG	1/4" Bare Alnico Magnet
4350141	AMS-21	5/8" Gap Press Fit Recessed (N./C. Loop) Switch & Magnet 3/8" Brown
4350143	AMS-21	5/8" Gap Press Fit Recessed (N./C. Loop) Switch & Magnet 3/8" Ivory
4350144	AMS-21	5/8" Gap Press Fit Recessed (N./C. Loop) Switch & Magnet 3/8" White
4350150	AMS-21D	5/8" Gap Press Fit Recessed (N./O. Loop) Switch & Magnet 3/8" White
4350152	AMS-21P	3/8" Prewire Plug Ivory

4350226	AMS-T21	5/8" Gap Press Fit Recessed Terminal Type (N./C. Loop) Switch & Magnet 3/8" Brown
4350097	AMS-T21	5/8" Gap Press Fit Recessed Terminal Type (N./C. Loop) Switch & Magnet 3/8" White
4350240	AMS-R21	5/8" Gap Press Fit Recessed (N./C. Loop) Switch & Magnet 3/8" Rare Earth
4350016	AMS-RT21	5/8" Gap Press Fit Recessed Terminal Type (N./C. Loop) Switch & Magnet 3/8" Rare Earth
4350001	AMS-R17	3/8" Gap Rare Earth Mini Recessed Contact 22 AWG 12" Lead White
4350003	AMS-RT17	3/8" Gap Rare Earth Mini Recessed Contact Terminal Lad White
4350128	AD-17	Spacer to allow 3/8" Switch to be Placed in 3/4" Hole
4350147	AMS-21MG	3/8" Alnico Magnet Ivory
4350148	AMS-21MG	3/8" Alnico Magnet White

Roller Ball Switches

Stock #	Model #	Description
4430005	RSW-21A	3/4" Press Fit N.O. Rollerball Switch Brown
4430006	RSW-21A	3/4" Press Fit N.O. Rollerball Switch Gray
4430003	RSW-21A	3/4" Press Fit N.O. Rollerball Switch Ivory
4430007	RSW-21B	3/4" Press Fit N.O./N.C. Rollerball Switch Ivory
4430008	RSW-21-S	Flat Spacer Ivory
4430010	RSW-50A	Roller Switch N.C.
4300014	ADC-412	Brown 4 Conductor 12" Door Cord
4300015	ADC-412	Gray 4 Conductor 12" Door Cord
4300034	ADC-418	Brown 4 Conductor 18" Door Cord
4300035	ADC-418	Gray 4 Conductor 18" Door Cord
4300023	NDC-212	Brown 2 Conductor 12" Door Cord
4300024	NDC-212	Grey 2 Conductor 12" Door Cord
4300025	NDC-212	Ivory 2 Conductor 12" Door Cord
4300026	NDC-218	Brown 2 Conductor 18" Door Cord
4300027	NDC-218	Grey 2 Conductor 18" Door Cord
4300028	NDC-218	Ivory 2 Conductor 18" Door Cord
4300002	NRC-11	Brown 24" Retractable Door Cord
4300021	NRC-11	Grey 24" Retractable Door Cord
4300022	NRC-11	Ivory 24" Retractable Door Cord
4300029	NRC-22	Brown 48" Retractable Door Cord

4300030	NRC-22	Grey 48" Retractable Door Cord
4300031	NRC-22	Ivory 48" Retractable Door Cord
4300036	RDC-9	Brown 21" Retractable Door Cord
4300037	RDC-9	Ivory 21" Retractable Door Cord
4300032	RDC-36	Brown 48" Retractable Door Cord w/ Switch

Plunger Tamper Switches

Stock #	Model #	Description
4360006	PSW-1	N.O. Plunger SPST Reed Switch Ivory 25" Leads
4360005	PSW-1H	Adaptor Housing For Plunger Switch
4360008	PSW-2	N.O., N.C. Plunger Reed Switch Grey 25" Leads
4360009	PSW-2	N.O., N.C. Plunger Reed Switch Ivory 25" Leads
4360007	PSW-2	N.O., N.C. Plunger Reed Switch Brown 25" Leads
4360012	PSW-21	3/8" SPST Press-Fit Plunger Ivory 25" Leads
4360010	PSW-21	3/8" SPST Press-Fit Plunger Brown 25" Leads
4360011	PSW-21	3/8" SPST Press-Fit Plunger Grey 25" Leads
4360013	PSW-22	3/8" SPST Press-Fit Plunger With Flange 25" Leads
4400007	TSW-2T	Mechanical Tamper Switch (N/C Loop) 0.5" Overall Operating Stroke Ivory

Door Announcers and People Counters

Stock #	Model #	Description
4130033	VDP-100	CCTV Based Video People Counter System
4130030	EBP-401	Door Announcer Kit
4130015	EBP-407C	Dual Counter Door Announcer System
4130022	EBPT-407	Transmitter For EBP-407C
4130029	EHP-500S	2-Zone Counter And Announcer, 40 Ft. Range
4130003	EWP-202C	Wireless Door Announcer
4130006	EWPT-202	Transmitter
4130007	REF-202	Reflector For EWP-202C
4130031	CM-5	12VDC Chime EBP-401
4060002	CM-4	Chime Electronic
4060003	CM-4KIT	Chime (Kit) Electronic

4060004	CM-4L	Chime w/LED Electronic
4060005	CM-4LKIT	Electronic Chime (Kit)

Sprinkler Monitoring (Flow & Pressure)

Stock #	Model #	Description
1340103	PS10-1	Pressure Type Waterflow Alarm/ Supervisory Switch One Contact
1340102	PS10-2	Pressure Type Waterflow Alarm/ Supervisory Switch Two Contacts
1340404	PS40-2	High/Low Pressure Switch
1000018	BVL	Lever Type Bleeder Valve
1144402	VSR-2	Waterflow Alarm Switch for 2" Pipe
1144425	VSR-2.5	Waterflow Alarm Switch for 2 1/2" Pipe
1144403	VSR-3	Waterflow Alarm Switch for 3" Pipe
1144435	VSR-3.5	Waterflow Alarm Switch for 3 1/2" Pipe
1144404	VSR-4	Waterflow Alarm Switch for 4" Pipe
1144405	VSR-5	Waterflow Alarm Switch for 5" Pipe
1144406	VSR-6	Waterflow Alarm Switch for 6" Pipe
1144408	VSR-8	Waterflow Alarm Switch for 8" Pipe
1144410	VSR-10	Waterflow Alarm Switch for 10" Pipe
1144440	VSR-S	Waterflow Alarm Switch for Small Pipe
1144460	VSR-SG	Waterflow Alarm Switch With Glue In Union
1144465	VSR-ST	Waterflow Alarm Switch With Threaded Union
1010080	WFSR-F	Pressure Activated Waterflow Alarm Switch With Retard
1010109	RTS-C	Room Temperature Switch Normally Open
1010108	RTS-O	Room Temperature Switch Normally Closed
1010107	PCVS-1	Control Valve Supervisory Switch One Contact
1010207	PCVS-2	Control Valve Supervisory Switch Two Contacts
1000040	RBVS	Retrofit Ball Valve Switch
1010106	OSYSU-1	Outside Screw & Yolk Valve Supervisory Switch One Contact
1010206	OSYSU-2	Outside Screw & Yolk Valve Supervisory Switch Two Contacts

Explosion Proof Devices

Stock #	Model #	Description
1010077	OSYSU-EX	Explosion Proof OSY Gate Valve Switch

1010092	PIVSU-EX	Explosion Proof Post Indicator Valve Switch
1350102	PS10-EX	Explosion Proof Low Pressure Supervisory Switch
1350402	PS40-EX	Explosion Proof High Pressure Supervisory Switch
1113202	VSR-FEX-2	Explosion Proof Waterflow Alarm Switch for 2" Pipe
1113225	VSR-FEX-2.5	Explosion Proof Waterflow Alarm Switch for 2 1/2" Pipe
1113203	VSR-FEX-3	Explosion Proof Waterflow Alarm Switch for 3" Pipe
1113235	VSR-FEX-3.5	Explosion Proof Waterflow Alarm Switch for 3 1/2" Pipe
1113204	VSR-FEX-4	Explosion Proof Waterflow Alarm Switch for 4" Pipe
1113205	VSR-FEX-5	Explosion Proof Waterflow Alarm Switch for 5" Pipe
1113206	VSR-FEX-6	Explosion Proof Waterflow Alarm Switch for 6" Pipe
1113208	VSR-FEX-8	Explosion Proof Waterflow Alarm Switch for 8" Pipe



At Potter Electric Signal Company, LLC,
QUALITY is the first order of business. Since 1898, we have served the Security and Fire Sprinkler industries on a world-wide basis. Today, we manufacture a full line of sprinkler monitoring devices, fire alarm panels, releasing control panels, vault, safe, & security systems and peripherals.

We strive to provide you with the finest products and technical support in the industry. You will also receive prompt service from a dedicated team of professionals. After all, you, the customer, are the most important member of our team. So give us a call.

Potter Electric Signal Company, LLC
5757 Phantom Drive, Suite 125
St. Louis, MO 63042

Office Hours:
Monday - Friday
8:00 AM - 5:00 PM, CST

Phone: 800-325-3936 • Fax: 800-768-8377
www.pottersignal.com

Canada: 888-882-1833 • Fax: 416-741-1822
Asia/Pacific: 65-9682-8998 • Fax: 65-6481-2902

X-ON Electronics

Largest Supplier of Electrical and Electronic Components

Click to view similar products for [Piezo Buzzers & Audio Indicators](#) category:

Click to view products by [Amseco](#) manufacturer:

Other Similar products are found below :

[68S1240-PA](#) [ESZ-26B](#) [FDG06PSLLF](#) [FDG111PLF](#) [F/DGX12P WITH LABEL LF](#) [F/EM12PLF](#) [F/NRMB 24 BLACK LF](#) [PF-35N29WQ](#)
[PFD-21A29W](#) [PFD-27A35PQ](#) [PL-21N30WQ](#) [PLD-21N30W](#) [PLD-21N30WQ](#) [PS-531Q](#) [PT-3534FP](#) [B822B](#) [B/CP28/100DB/BLACK LF](#)
[S6109](#) [SC110E](#) [SC2036ACP](#) [SC616N-2](#) [SC628FW](#) [SC628MPG](#) [SC648D](#) [SCS045MD9DT3S](#) [ESZ-25B-5-250B](#) [ESZ-25S](#) [F/BC 35-DR LF](#)
[FCM12PLF](#) [F/EB20P-DR LF](#) [AI-4228-TF-LW305-R](#) [F/SMD03A LF](#) [F/SU 21-02 LF](#) [F/UCW 03 WITH LABEL LF](#) [F/UCW 06 WITH](#)
[LABEL LF](#) [PFD-27N36W](#) [PKM35-4A0](#) [PL-35N29WQ](#) [PLD-27A35PQ](#) [PS-552Q](#) [CM-5](#) [REF-202](#) [B/SE 128 RED LF](#) [KBS-20DA-7AS](#)
[KBS-27DA-5C-105](#) [LSC628ANR](#) [PL-21N31PQ](#) [F-B-P1405ISB LF](#) [F/DGX 05P WITH LABEL LF](#) [B/CP 50 GREY LF](#)