

# HUSK-20

## LATCHING HOLD-UP SWITCH

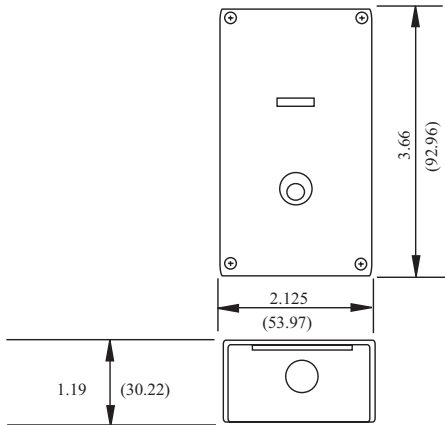


- Form C contact
- Metal housing
- Key reset
- Silent operation
- Status window indicator (armed, alarmed)
- Mechanical operation
- Terminals for easy wiring

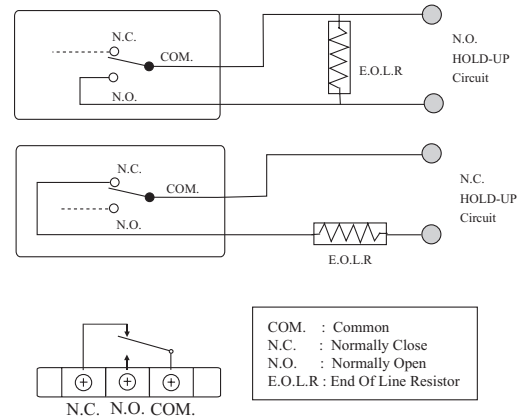
The HUSK-20 is a mechanical hold-up switch designed for silent operation. It is activated by using one finger to press down on the switch. When activated, the switch mechanism locks, insuring an immediate alarm signal. A status window designed on top of the hold-up switch indicates its condition: RED (alarmed) and BLUE (armed). To reset the HUSK-20, use the key provided. The housing is made of metal and is painted gray.

The hold-up switch sends a signal to a dedicated 24 hour hold-up circuit of a burglar control panel. That signal in turn will send the immediate signal to police or central station.

### Dimensions



### Typical Wiring



### Specifications

Model Number	Stock Number	Contact Type	Contact Rating			Screw Terminals Capacity	Operating Temperature Range
			125V DC	30V DC	125V AC		
HUSK-20	4370038	N.O./N.C.	0.4A	5A	5A	AWG #18	-4°F - 176°F (-20°C - 80°C)
KEY	4370039						

## X-ON Electronics

Largest Supplier of Electrical and Electronic Components

*Click to view similar products for [Magnetic/Reed Switches](#) category:*

*Click to view products by [Amseco](#) manufacturer:*

Other Similar products are found below :

[PSW-21](#) [AMS-20MG](#) [AMS-37-G\\_W/Brk](#) [AMS-38S-I](#) [AMS-38SW](#) [AMS-39B-B](#) [HRB10030](#) [2116900170](#) [AMS-10S-B](#) [AMS-25B-B](#) [AMS-37BROWN](#) [AMS-37L](#) [AMS-38MG](#) [AMS-38SB](#) [AMS-9-B](#) [AMS-T10C\(B\)](#) [505-171W WHITE](#) [505-211B](#) [505-70B](#) [HM00-01800](#) [4350186](#) [505-101-GC](#) [505-101-GS](#) [505-101-WS](#) [505-392W](#) [505-90G](#) [505-90I](#) [507-381BB](#) [RSW-21A-I](#) [ODC-56B](#) [RI-90GP1020](#) [FF6-21-DC-03-SS](#) [FF6-11-AC-06](#) [FF6-21-AC-06](#) [DRR-129\(42-48\)](#) [AMS-10MGW](#) [AMS-37B GRAY](#) [HM00-01608LF](#) [HM00-04603LF](#) [HM00-02441BLFTR](#) [KSK-1A80/1-1015](#) [44531-0110](#) [44531-0200](#) [44531-0260](#) [511-59A](#) [35-756](#) [KSK-1A52-1520](#) [KSK-1C90U-1530](#) [KSK-1E85-BV470](#) [MLRR-4-22-28](#)