



# ODC-59 SERIES OVERHEAD DOOR CONTACT



ODC-59 Mini shown

- UL and ULC listed
- 2" operating gap
- HG - 7" Horizontal gap
- 24" stainless steel armored cable
- Adjustable, aluminum L bracket
- Hermetically sealed reed switch

### Application

The ODC-59 Series Overhead Door Contacts are exclusively designed for rugged high traffic installations. The reed switch is hermetically sealed with a PVC shock absorber enclosed within a solid aluminum housing. Installation wires are protected in a 24" stainless steel armored cable. The ODC-59 Series magnet is mounted on an adjustable L shaped bracket designed for greater flexibility, universal mounting, greater pulling power, and to provide a professional installation appearance.

The ODC-59-HG (horizontal gap) is designed as a solution for damaged or loose fitting doors.

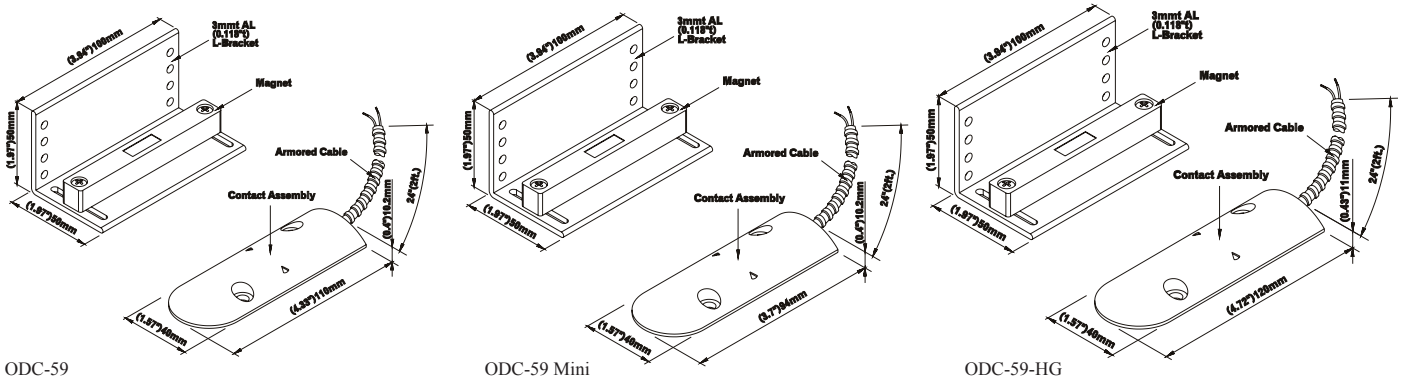
The ODC-59 MINI offers all the same great features in a smaller size for greater installation flexibility. (Not ULC listed)

### ODC-59 Wiring Designations

With Magnet Installed:

Red = Normally-Open (N.O.)	Black = Common (Com)	Green = Normally-Closed (N.C.)
----------------------------	----------------------	--------------------------------

### Dimensions



ODC-59

ODC-59 Mini

ODC-59-HG

### Ordering Information

Model	Stock Number	Contact	Contact Rating	Contact Type	Max. Carry Current	Max. Switching Current	Breakdown Voltage	Operating Gap	Temperature Range
ODC-59A	4410003	22AWG 24" Leads	10VA	Form A N.O.	2 Amp	.5 Amp	250VDC	2"	32°F - 120°F (0°C - 49°C)
ODC-59A-36	4410004	22AWG 36" Leads							
ODC-59B	4410006	22AWG 24" Leads	3VA	Form C N.O./N.C.	.5 Amp	.2 Amp	150VDC		
ODC-59A-HG	4410018		10VA	Form A N.O.	2 Amp	.5 Amp	250VDC		
ODC-59B-HG	4410019		3VA	Form C N.O./N.C.	.5 Amp	.2 Amp	200VDC		
ODC-59A-MINI	4410017		10VA	Form A N.O.	2 Amp	.5 Amp	250VDC		
Accessories	4350178	Magnet and L bracket							

## X-ON Electronics

Largest Supplier of Electrical and Electronic Components

*Click to view similar products for [Magnetic/Reed Switches](#) category:*

*Click to view products by [Amseco](#) manufacturer:*

Other Similar products are found below :

[PSW-21](#) [AMS-20MG](#) [AMS-37-G\\_W/Brk](#) [AMS-38S-I](#) [AMS-38SW](#) [AMS-39B-B](#) [HRB10030](#) [2116900170](#) [AMS-10S-B](#) [AMS-25B-B](#) [AMS-37BROWN](#) [AMS-37L](#) [AMS-38MG](#) [AMS-38SB](#) [AMS-9-B](#) [AMS-T10C\(B\)](#) [505-171W](#) [WHITE](#) [505-211B](#) [505-70B](#) [HM00-01800](#) [4350186](#) [505-101-GC](#) [505-101-GS](#) [505-101-WS](#) [505-392W](#) [505-90G](#) [505-90I](#) [507-381BB](#) [RSW-21A-I](#) [ODC-56B](#) [RI-90GP1020](#) [FF6-21-DC-03-SS](#) [FF6-11-AC-06](#) [FF6-21-AC-06](#) [AMS-10MGW](#) [AMS-37B](#) [GRAY](#) [HM00-01608LF](#) [HM00-04603LF](#) [HM00-02441BLFTR](#) [KSK-1A80/1-1015](#) [44531-0110](#) [44531-0200](#) [44531-0260](#) [35-756](#) [KSK-1A52-1520](#) [KSK-1C90U-1530](#) [KSK-1E85-BV470](#) [MLRR-4-22-28](#) [MLRR-3-42-48](#) [MLRR-4-27-33](#)