

## Features

- Easily installed
- Completely sealed sensor, moisture and vapor resistant
- Highly resistant to vibration and corrosion
- Highly sensitive to temperature changes
- No sensitivity loss due to aging
- Repetitive operation without the need to replace sensing elements
- Small compact design
- Precision and quality at low cost



**Important:** This document contains important information on the installation and operation of room temperature switches. Please read all instructions carefully before beginning installation. A copy of this document is required by NFPA 72 to be maintained on site.

## Description

Each unit consists of a bi-metal operating mechanism, featuring hermetically sealed precious metal contacts, N.O. or N.C., which automatically reset for repetitive operation, eliminating the need for sensing element replacement.

Small compact design, highly resistant to vibration and corrosion. Easily installed using the enclosed hardware or adhesive mounting pad.

Screw terminals permit easy installation in single or multiple detector circuits.

## Application

The RTS Series complies with the requirements of NFPA 13 and 72 for a room temperature switch to operate at 40°F to protect a dry pipe valve from freezing. The RTS can also be used for other temperature detection applications.

## Operation

The normally open detector, RTS-O, will close the contact when the temperature drops below 40°F (4,5°C). The normally closed detector, RTS-C, will open the contact when the temperature drops below 40°F (4,5°C). The detector will automatically reset to the normal state when the temperature rises above 40°F (4,5°C).

The RTS Series Room Temperature Sensors are precision engineered, designed and manufactured for commercial or residential use.

## Technical Specifications

Enclosure	White ABS
Dimensions	2 1/16"W x 3 7/16"L x 1 1/4"H (5,2cm W x 8,7cm L x 3,2cm H)
Sensor	Epoxy sealed stainless steel case, bi-metallic operating mechanism.
Contacts	Silver clad, available normally open or normally closed
Electrical Rating	1 Amp at 24VDC
Temperature Setting	40° ±5°F (4,5° ±3°C)
Terminals	Screw Terminals
Mounting	Wall Mount, Surface

### Inspection, Testing, & Maintenance

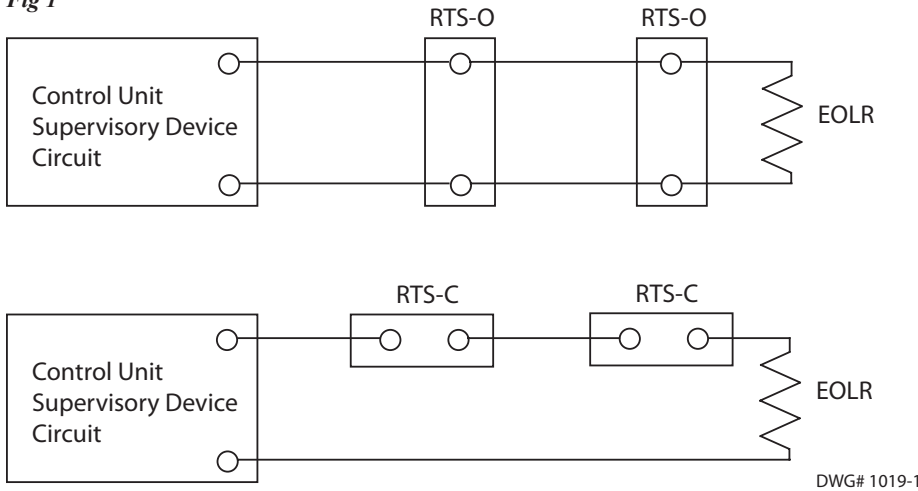
The frequency of inspection and testing of the RTS and its associated monitoring system shall be in accordance with applicable local and NFPA codes and standards. Manufacturer recommends quarterly or more frequently.

Functional test can be accomplished by spraying the RTS with circuit cooler or equivalent.

More accurate test requires exposing the RTS to 40°F ± 5°F.

The RTS requires no maintenance other than ensuring the vent holes are not obstructed.

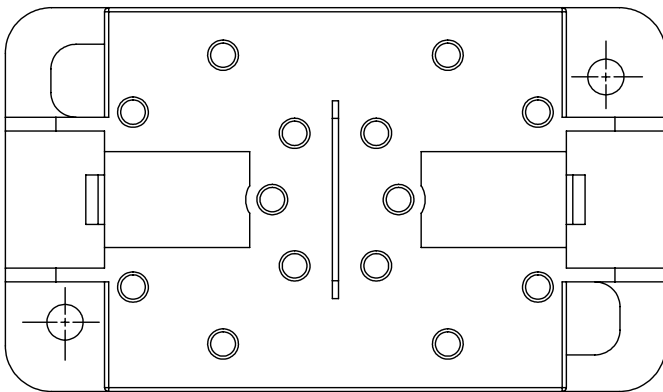
**Fig 1**



**NOTE:** This RTS does not have duplicate terminals. Do not use looped wire under terminals. Break wire run to provide supervision of connections.

### RTS Mounting Template

**Fig 2**



### Ordering Information

Model	Description	Stock No.
RTS-O	Normally Open Room Temperature Switch	1010108
RTS-C	Normally Closed Room Temperature Switch	1010109

### NOTICE

Supervisory switches have a normal service life of 10-15 years. However, the service life may be significantly reduced by local environmental conditions.

## X-ON Electronics

Largest Supplier of Electrical and Electronic Components

*Click to view similar products for [Thermostats](#) category:*

*Click to view products by [Amseco](#) manufacturer:*

Other Similar products are found below :

[66F060-0099](#) [66F060-0396](#) [66L085-0477](#) [67F080-0356](#) [67L060-0368](#) [67L080-0038](#) [77877-00](#) [A1014005](#) [ASP200-22](#) [1831436](#) [1F78-151CB](#) [1NT08L-7399](#) [O54EAB240B-215Y](#) [C53GAB101A-081A](#) [22636-00](#) [2450 00210626](#) [2450 00880010](#) [2450CM 80020691](#) [2450RC 79080002](#) [2455R--01000844](#) [2455R 80580176](#) [2455R--90820376](#) [2455R--90820597](#) [2455RA-94170955](#) [2455RC-00980620](#) [2455RCG81170352](#) [2455RM03090005](#) [2455RM 80820736](#) [2455RM-90980499](#) [2455RP-91000430](#) [2455RP-91000433](#) [2455RP-91000436](#) [2455RP-91000442](#) [300004500021](#) [300004520005](#) [300004530001](#) [300005510137](#) [300005510148](#) [3000-46-29](#) [300100140436](#) [300100240216](#) [300100630004](#) [3001 00830006](#) [A1006505](#) [A1011005](#) [2450 06180001](#) [2450G 83950014](#) [2450RC-90820307](#) [2455R--00030829](#) [2455R--01000140](#)