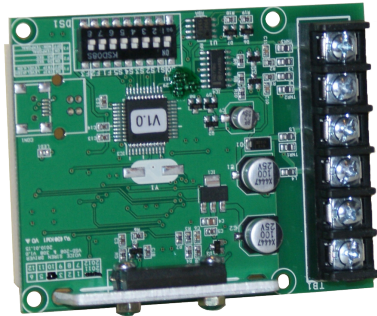


# VSD-208 MULTI-TONE HIGHPOWER SIREN DRIVER

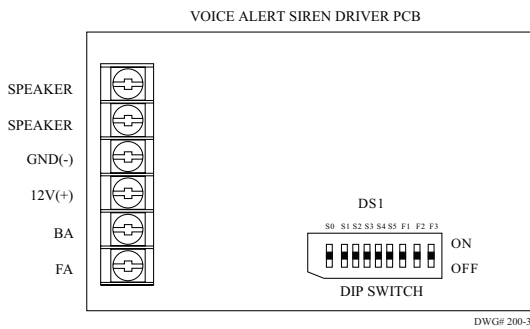


- Fire and burglar message in English, Spanish or both
- 8 distinctive sound outputs
- 32 different selectable sound combinations
- Selectable temporal pattern
- Operates on 9-18 VDC
- Use with 4, 8 and 16 Ohm speakers
- Compatible with Amseco models: SHX-51, SH-4, FHS-2, FHS-3

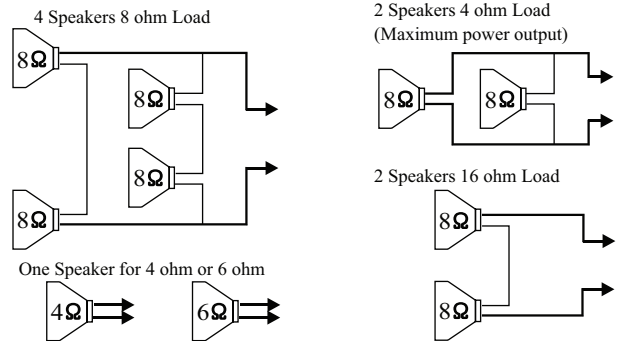
The VSD-208 Voice Siren Driver is designed to be used for fire and intrusion applications. The VSD is versatile and easy to install, compatible with most control panels, and can be mounted with the double sided tape provided.

The VSD-208 can instantly produce a verbal fire or burglary announcement in English, Spanish, or both. Choose from 32 different mode selections. One of 8 distinctive sound options announce independently or in conjunction with the voice warning.

### Installation Wiring



### Multiple Speaker Wiring Configuration



\* 8 ohm 15 watt Speakers are recommended.  
4 ohm or 6 ohm Speakers, use one speaker only.

Model	Stock Number	Input Voltage	Current draw
VSD-208	4170002	12 VDC	Idle - 160mA 4 ohm - 1.9A max 8 ohm - 1.1A max 16 ohm - .8A max

## X-ON Electronics

Largest Supplier of Electrical and Electronic Components

*Click to view similar products for [Piezo Buzzers & Audio Indicators](#) category:*

*Click to view products by [Amseco](#) manufacturer:*

Other Similar products are found below :

[6-4](#) [68S1240-PA](#) [ESZ-26B](#) [FDG06PSLLF](#) [FDG111PLF](#) [F/DGX12P WITH LABEL LF](#) [F/EM12PLF](#) [PF-35N29WQ](#) [PFD-21A29W](#) [PFD-27A35PQ](#) [PL-21N30WQ](#) [PLD-21N30W](#) [PLD-21N30WQ](#) [PS-531Q](#) [PT-3534FP](#) [B822B](#) [B/CP28/100DB/BLACK LF](#) [S6109](#) [SC110E](#) [SC2036ACP](#) [SC616N-2](#) [SC628FW](#) [SC628MPG](#) [SC648D](#) [SCS045MD9DT3S](#) [ESZ-25B-5-250B](#) [ESZ-25S](#) [F/BC 35-DR LF](#) [FCM12PLF](#) [F/EB20P-DR LF](#) [AI-4228-TF-LW305-R](#) [F/UCW 03 WITH LABEL LF](#) [F/UCW 06 WITH LABEL LF](#) [PFD-27N36W](#) [PKM35-4A0](#) [PL-35N29WQ](#) [PLD-27A35PQ](#) [PS-552Q](#) [CM-5](#) [REF-202](#) [B/SE 128 RED LF](#) [KBS-20DA-7AS](#) [KBS-27DA-5C-105](#) [LSC628ANR](#) [PL-21N31PQ](#) [F-B-P1405ISB LF](#) [F/DGX 05P WITH LABEL LF](#) [MSR516NP](#) [OMT222L](#) [STA22702W](#)