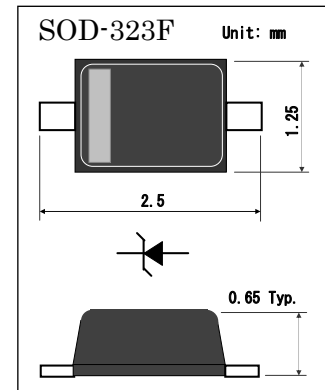


## SCHOTTKY BARRIER DIODE / DATA SHEET

### B5819WS

- ◇ Low Forward Voltage Schottky Rectifier
- ◇ RoHS compliant / Green EMC
- ◇ Matte Tin (Sn) Lead finish
- ◇ Cathode Band / Device marking

Device Marking Code	
<b>B5819WS</b>	<b>SL</b> •



#### Maximum Ratings (Ta = 25 °C)

Symbol	Parameter	Value	Units
$V_{RM}$	Non-Repetitive Peak Reverse Voltage	40	V
$V_{RRM}$	Repetitive Peak Reverse Voltage	40	V
$V_{R(RMS)}$	RMS Reverse Voltage	28	V
$I_O$	Average Rectified Output Current	1	A
$I_{FSM}$	Non-Repetitive Peak Forward Surge Current*1	9	A
$I_{FRM}$	Repetitive Peak Forward Current	1.5	A
$P_D$	Power Dissipation	250	mW
$T_J$	Junction Temperature	125	°C
$T_{STG}$	Storage Temperature	-65 to +150	°C

\*1 8.3 ms single half sine-wave

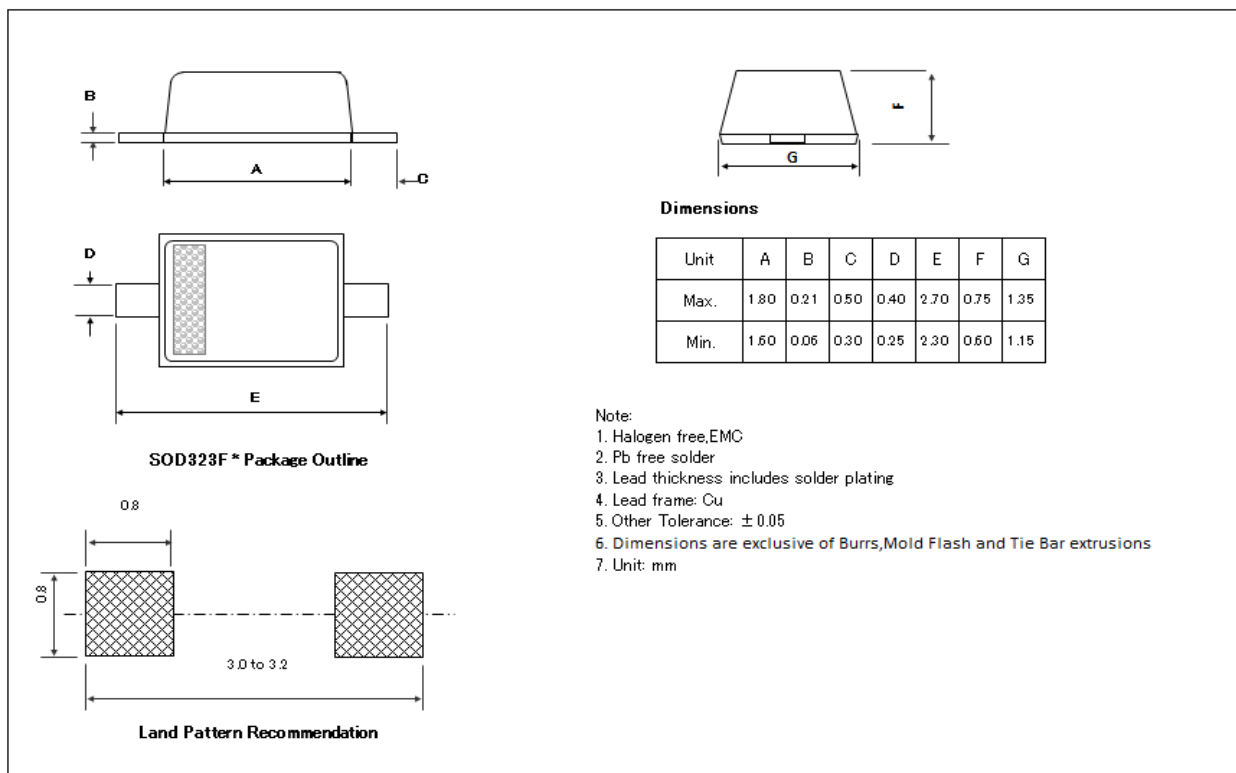
#### Electrical Characteristics (Ta = 25 °C)

Symbol	Parameter	Test Conditions	Min	Typ	Max	Units
$V_F$	Forward Voltage	$I_F=10mA$			0.31	V
		$I_F=500A$			0.53	V
		$I_F=1A$			0.6	V
$V_{BR}$	Reverse breakdown voltage	$I_R=1mA$ $I_R=100uA$	40		75	V
$I_R$	Reverse voltage leakage current	$V_R=40V$		6	20	uA
$C_D$	Diode capacitance	$V_R=4V, f=1MHz$			120	pF

### Ordering Information

Device	Package	Shipping	Tape wide	Emboss pitch	Tape specification	Notes
B5819WS	SOD323F	Tape & Reel 3000pcs /7" Reel	8 mm	4 mm	Conductive	

### Package Dimensions



## X-ON Electronics

Largest Supplier of Electrical and Electronic Components

*Click to view similar products for [Schottky Diodes & Rectifiers](#) category:*

*Click to view products by [amsem](#) manufacturer:*

Other Similar products are found below :

[MA4E2039](#) [MMBD301M3T5G](#) [RB160M-50TR](#) [D83C](#) [BAS16E6433HTMA1](#) [BAS 3010S-02LRH E6327](#) [BAT 54-02LRH E6327](#)  
[NRVBAF360T3G](#) [NSR05F40QNXT5G](#) [NTE555](#) [JANS1N6640](#) [SS3003CH-TL-E](#) [GA01SHT18](#) [CRS10I30A\(TE85L,QM](#) [MBRA140TRPBF](#)  
[MBRB30H30CT-1G](#) [BAT 15-04R E6152](#) [JANTX1N5712-1](#) [DMJ3940-000](#) [SB007-03C-TB-E](#) [NRVBB20100CTT4G](#) [NRVBM120LT1G](#)  
[NTSB30U100CT-1G](#) [CRG04\(T5L,TEMQ\)](#) [ACDBA1100LR-HF](#) [ACDBA1200-HF](#) [ACDBA240-HF](#) [ACDBA3100-HF](#) [CDBQC0530L-HF](#)  
[ACDBA260LR-HF](#) [ACDBA1100-HF](#) [10BQ015-M3/5BT](#) [NRVBM120ET1G](#) [VSSB410S-M3/5BT](#) [1N5819T-G](#) [PDS1040Q-13](#) [B160BQ-13-F](#)  
[SDM05U20CSP-7](#) [BAS 70-07 E6433](#) [B140S1F-7](#) [HSM560Je3/TR13](#) [DDB2265-000](#) [ZHCS506QTA](#) [HSM190Je3/TR13](#) [B330AF-13](#)  
[ACDBUC0230-HF](#) [SDM1U100S1F-7](#) [MBR10200CTF-G1](#) [CDLL5712](#) [DMF2822-000](#)