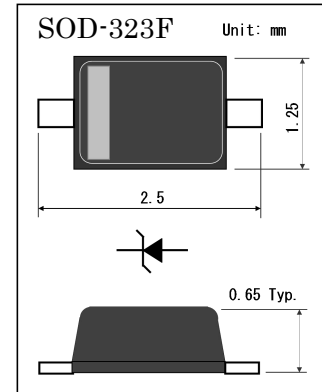


## DATA SHEET

### BAS316M3

- ◇ General purpose diodes
- ◇ Fast switching devices
- ◇ SOD323F Micro SMD package
- ◇ RoHS compliant / Green EMC
- ◇ Matte Tin (Sn) Lead finish
- ◇ Cathode Band / Device marking

Device Marking Code	
BAS316M3	W2



#### Maximum Ratings (Ta = 25 °C)

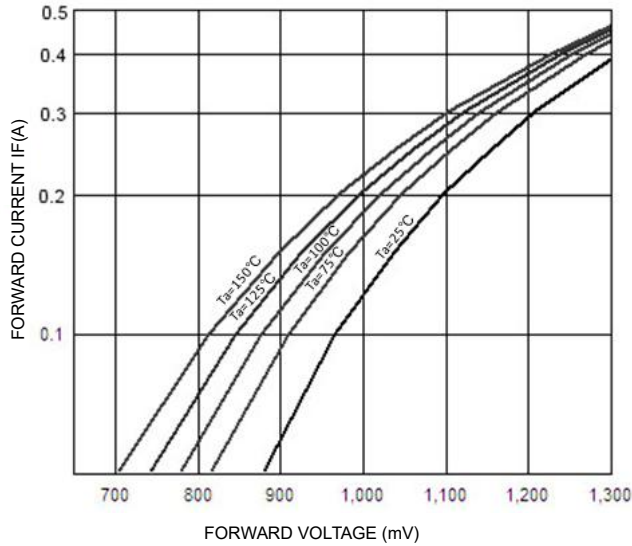
Symbol	Parameter	Value	Units
$V_{RRM}$	Repetitive Peak Reverse Voltage	100	V
$I_{F(AV)}$	Forward Current	250	mA
$I_{FRM}$	Non-Repetitive Peak Forward Surge Current	Pulse Width=1us	4.0 A
		Pulse Width=1ms	1.0 A
$P_D$	Power Dissipation	250	mW
$T_J$	Junction Temperature	150	°C
$T_{STG}$	Storage Temperature	-65 to +150	°C

#### Electrical Characteristics (Ta = 25 °C)

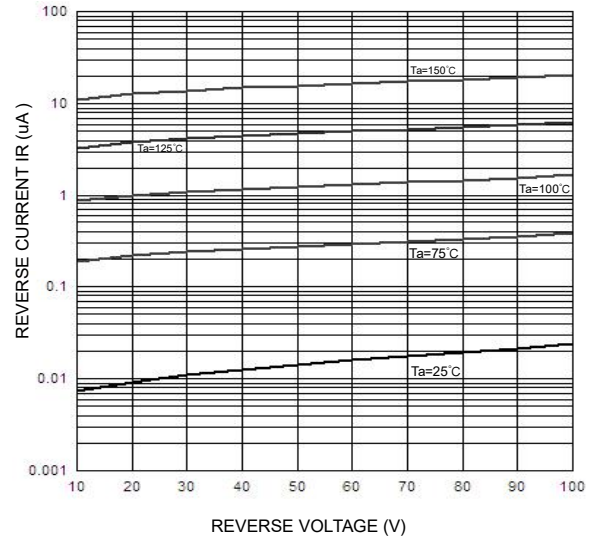
Symbol	Parameter	Test Conditions	Min	Max	Units
$V_F$	Forward Voltage	$I_F=1.0mA$ ,	-	0.715	V
		$I_F=10mA$ ,	-	0.855	
		$I_F=50mA$ ,	-	1.000	
		$I_F=150mA$ ,	-	1.250	
$I_R$	Reverse Current	$V_R=20V$	-	0.03	uA
		$V_R=75V$	-	1.00	
$V_R$	Reverse Voltage	$I_R=100\mu A$	100		V
$C_J$	Junction Capacitance	1MHz, $V_R=0V$	-	1.5	pF
$t_{rr}$	Reverse Recovery Time	$I_F=10mA, I_R=10mA,$ $I_{rr}=0.1 \times I_R$	-	4.0	ns

## Characteristics Curves

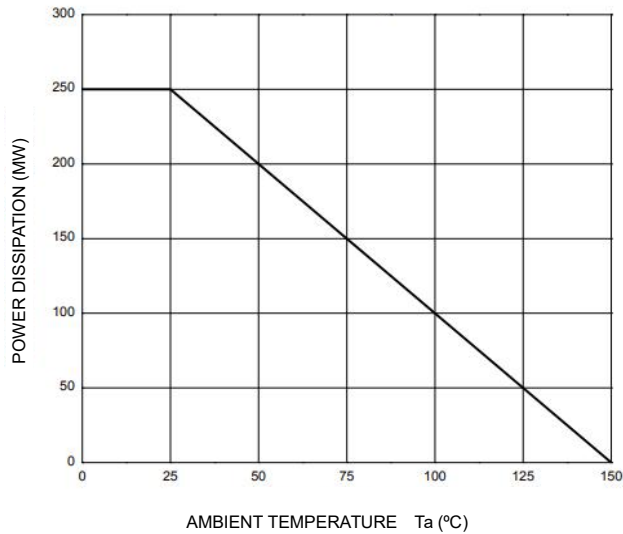
Typical Instantaneous Forward Characteristics



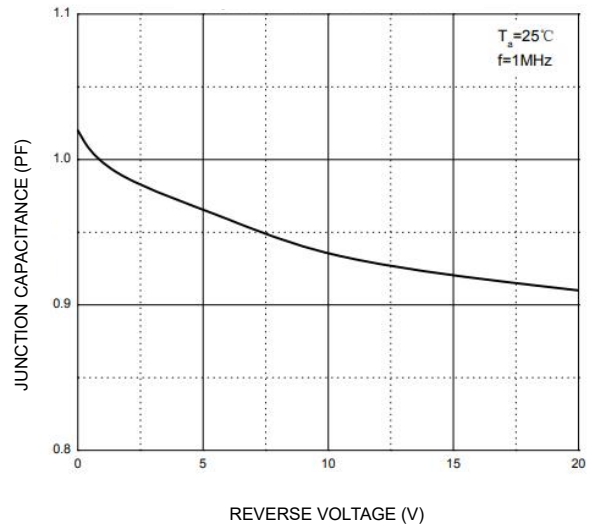
Typical Reverse Leakage Characteristics



Power Derating Curve



Capacitance Characteristics

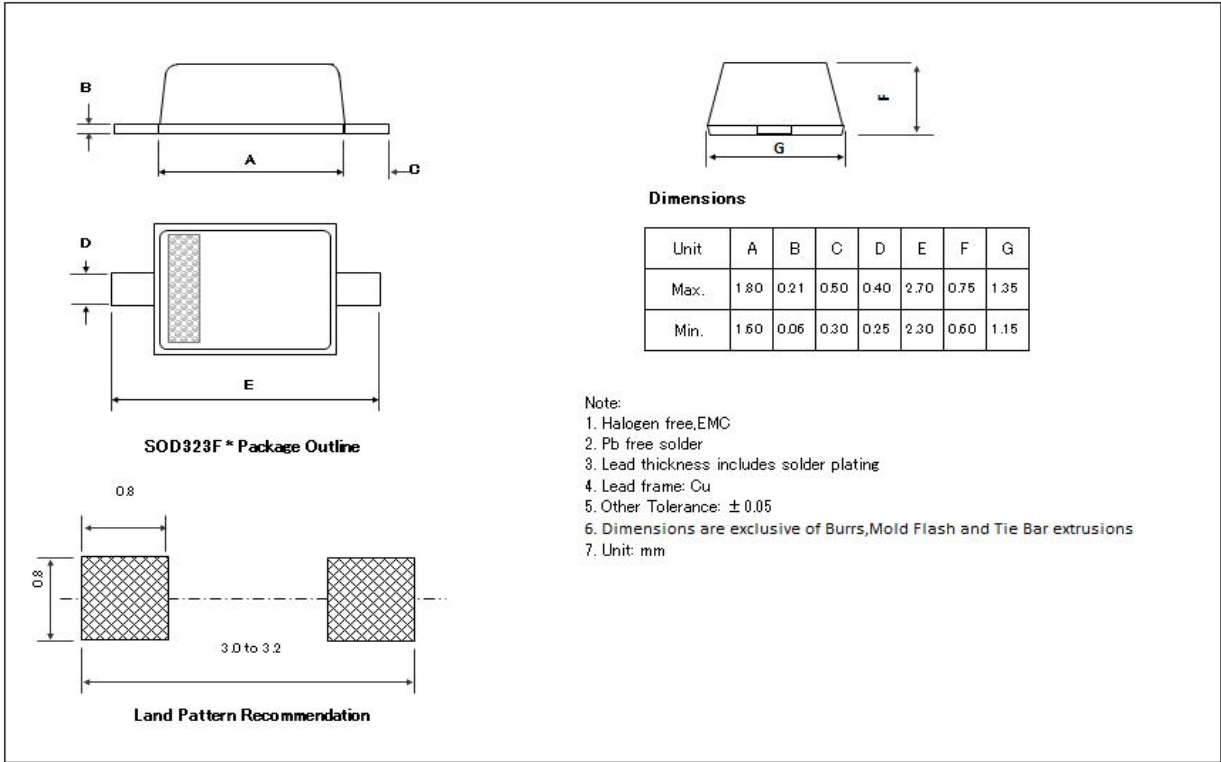


## Ordering Information

Device	Package	Shipping	Tape wide	Emboss pitch	Tape specification	Notes
BAS316M3	SOD323F	Tape & Reel 3000pcs /7" Reel	8 mm	4 mm	Conductive	



Package Dimensions



## X-ON Electronics

Largest Supplier of Electrical and Electronic Components

*Click to view similar products for [Diodes - General Purpose, Power, Switching category](#):*

*Click to view products by [amsem manufacturer](#):*

Other Similar products are found below :

[MMBD3004S-13-F](#) [1N3611](#) [NTE156A](#) [NTE6244](#) [1SS400CST2RA](#) [SDAA13](#) [SHN2D02FUTW1T1G](#) [1N4449](#) [1N456A](#) [1N914BTR](#)  
[D291S45T](#) [BAS 16-02L E6327](#) [BAS 16-02V H6327](#) [BAS 21U E6327](#) [BAS 28 E6327](#) [BAW56DWQ-7-F](#) [BAW56M3T5G](#) [BAW75-TAP](#)  
[MM230L-CAA](#) [IDW40E65D1](#) [JAN1N3600](#) [JAN1N4454UR-1](#) [SMMSD4148T3G](#) [BYW95B/A52A](#) [NSVDAN222T1G](#) [CDSZC01100-HF](#)  
[BAV70HDW-7](#) [BAS28-7](#) [JANTX1N6640](#) [BAW56HDW-13](#) [BAS28 TR](#) [VS-HFA04SD60STR-M3](#) [1SS388-TP](#) [BAV99TQ-13-F](#)  
[BAV99HDW-13](#) [1N4004](#) [MMDB30-E28X](#) [LS4148](#) [IDV15E65D2](#) [W0503RH200S0L](#) [M0268SJ200NLF](#) [M0268RJ200NLF](#) [S3MBF](#) [US1J](#)  
[DAN217U-TP](#) [SHV-06JNS-Q](#) [IDW30C65D1](#) [IDW80C65D1](#) [VS-HFA30TA60CSR-M3](#) [M1MA152WAT1](#)