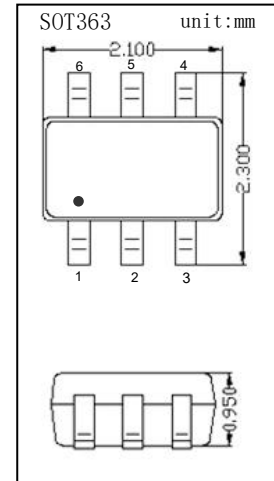
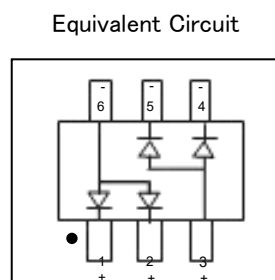


DATA SHEET

BAS70DW-06

- ◇ Low Forward Voltage Schottky Rectifier
- ◇ SOT363 Micro SMD package
- ◇ RoHS Compliant / Green EMC
- ◇ Matte Tin (Sn) Lead Finish

Device Marking Code	
BAS70DW-06	K76



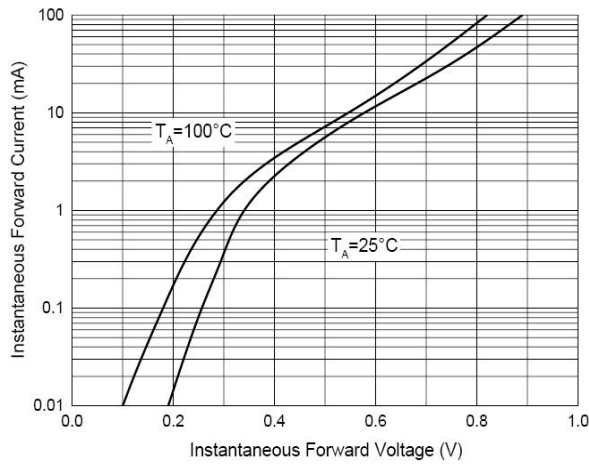
Maximum Ratings (Ta = 25 °C)

Symbol	Parameter	Value	Unit
V_{RRM}	Repetitive Peak Reverse Voltage	70	V
V_R	DC Blocking Voltage	70	V
I_F	Average Current	70	mA
I_{FSM}	Peak Forward Surge Current	100	mA
P_D	Power Dissipation	200	mW
$R_{\theta JA}$	Thermal Resistance From Junction To Ambient	500	°C/W
T_j	Junction Temperature	125	°C
T_{stg}	Storage Temperature	-55~+150	°C

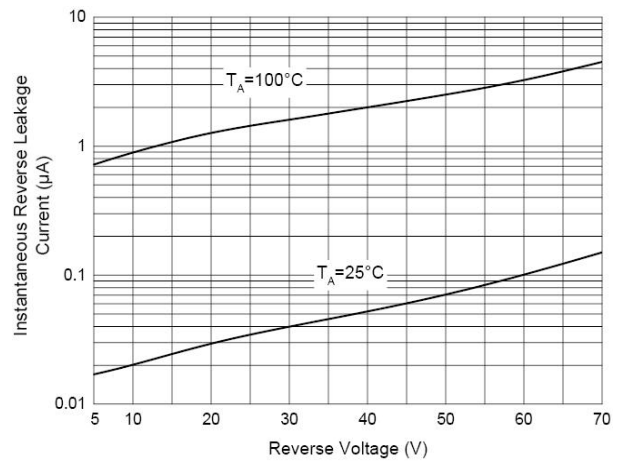
Electrical Characteristics (Ta = 25 °C)

Symbol	Parameter	Test conditions	Min	Max	Unit
V_{BR}	Reverse Voltage	$I_R=10\mu A$	70		V
I_R	Reverse Current	$V_R=50V$		0.1	μA
V_F	Forward Voltage	$I_F=1mA$		0.41	V
		$I_F=15mA$		1.00	V
C_T	Total Capacitance	$V_R=0V, f=1.0MHz$		2.0	pF
t_{rr}	Reverse Recovery Time	$I_F=I_R=10mA,$ $I_{RR}=1mA, R_L=100\Omega$		5.0	nS

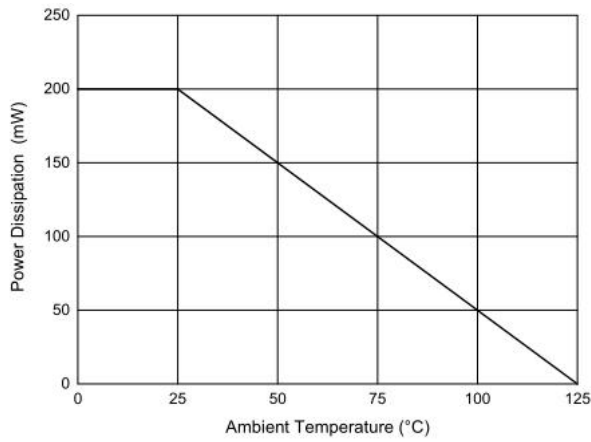
Typical Characteristics



Typical Instantaneous Forward Characteristics



Typical Reverse Leakage Characteristics



Power Derating Curve

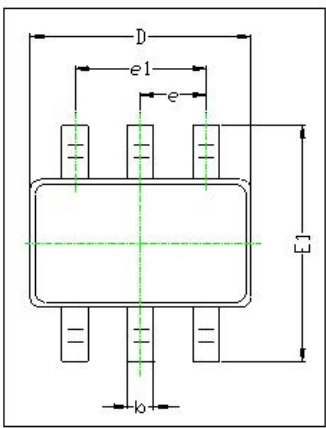
Ordering Information

Device	Package	Shipping	Tape wide	Emboss pitch	Tape specification	Notes
BAS70DW-0 6	SOT363	Tape & Reel 3000pcs /7" Reel	8mm	4mm	Conductive	

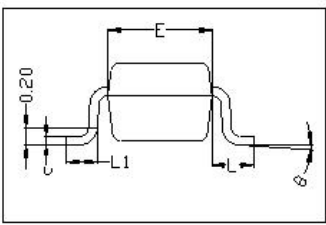
Package Dimensions

Package outline : SOT363

TOP VIEW

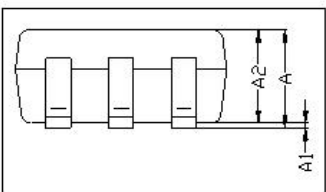


SIDE VIEW

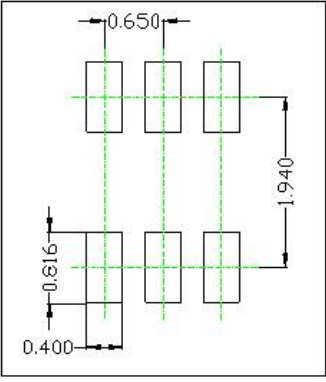


SYMBOL	DIMENSIONS IN MILLIMETER	
	MIN	MAX
A	0.900	1.000
A1	0.000	0.100
A2	0.900	1.000
b	0.150	0.300
c	0.100	0.150
D	2.000	2.200
E	1.150	1.350
E1	2.150	2.400
e	0.650 TYP.	
e1	1.200	1.400
L	0.525 REF.	
L1	0.260	0.450
theta	0°	8°

FRONT VIEW



SOLDERING PATTERN



Notice:

1. Lead plating: Pb free solder
2. Lead thickness includes solder plating
3. Lead frame: CAC-5
4. Other Tolerance: ± 0.05
5. Dimensions are exclusive of Burs, Mold Flash and Tie Bar extrusions
6. Unit: mm

X-ON Electronics

Largest Supplier of Electrical and Electronic Components

Click to view similar products for [Schottky Diodes & Rectifiers](#) category:

Click to view products by [amsem](#) manufacturer:

Other Similar products are found below :

[MA4E2039](#) [MMBD301M3T5G](#) [RB160M-50TR](#) [D83C](#) [BAS16E6433HTMA1](#) [BAS 3010S-02LRH E6327](#) [BAT 54-02LRH E6327](#)
[NRVBAF360T3G](#) [NSR05F40QNXT5G](#) [NTE555](#) [JANS1N6640](#) [SS3003CH-TL-E](#) [GA01SHT18](#) [CRS10I30A\(TE85L,QM](#) [MBRA140TRPBF](#)
[MBRB30H30CT-1G](#) [BAT 15-04R E6152](#) [JANTX1N5712-1](#) [DMJ3940-000](#) [SB007-03C-TB-E](#) [NRVBB20100CTT4G](#) [NRVBM120LT1G](#)
[NTSB30U100CT-1G](#) [CRG04\(T5L,TEMQ\)](#) [ACDBA1100LR-HF](#) [ACDBA1200-HF](#) [ACDBA240-HF](#) [ACDBA3100-HF](#) [CDBQC0530L-HF](#)
[ACDBA260LR-HF](#) [ACDBA1100-HF](#) [10BQ015-M3/5BT](#) [NRVBM120ET1G](#) [VSSB410S-M3/5BT](#) [1N5819T-G](#) [PDS1040Q-13](#) [B160BQ-13-F](#)
[SDM05U20CSP-7](#) [BAS 70-07 E6433](#) [B140S1F-7](#) [HSM560Je3/TR13](#) [DDB2265-000](#) [ZHCS506QTA](#) [HSM190Je3/TR13](#) [B330AF-13](#)
[ACDBUC0230-HF](#) [SDM1U100S1F-7](#) [MBR10200CTF-G1](#) [CDLL5712](#) [DMF2822-000](#)