

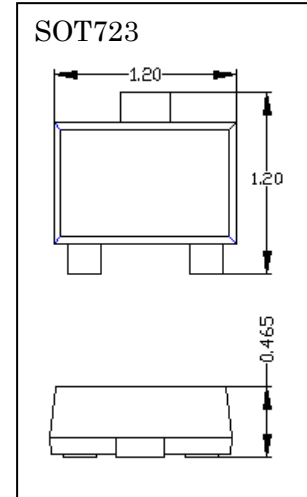
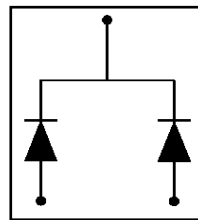
DATA SHEET

BAT54CM

- ◇ High Conductance
- ◇ Low Current Leakage
- ◇ Small Outline Surface Mount Package
- ◇ RoHS compliant / Green EMC

Device	Device Marking
BAT54CM	KL3

Circuit Diagram



MAXIMUM RATINGS (Ta = 25 °C)

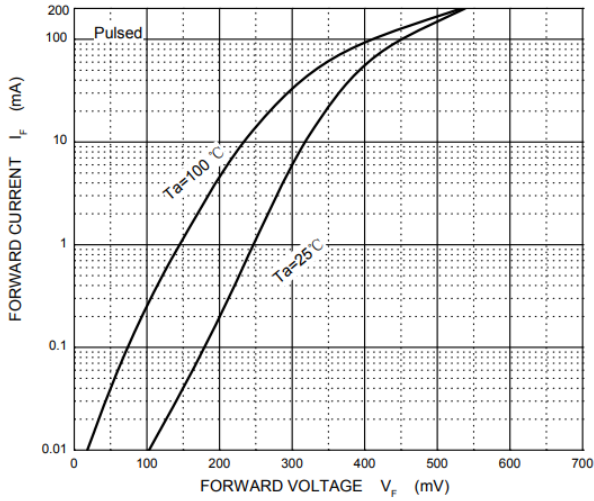
Symbol	Parameter	Value	Units
V_{RRM}	Peak Repetitive Reverse Voltage	30	V
V_{RWM}	Working Peak Reverse Voltage	30	V
$V_{R(RMS)}$	RMS Reverse Voltage	21	V
I_O	Average Forward Current	200	mA
I_{FSM}	Non-repetitive Peak Forward Surge Current @ t=8.3ms	600	mA
I_{FRM}	Repetitive Peak Forward Current @ t≤1s, δ≤0.5	300	mA
P_D	Power Dissipation	150	mW
$R_{\theta JA}$	Thermal Resistance from Junction to Ambient	667	°C/W
T_j	Junction Temperature	125	°C
T_{stg}	Storage Temperature	-55~+150	°C

ELECTRICAL CHARACTERISTICS (Ta = 25 °C)

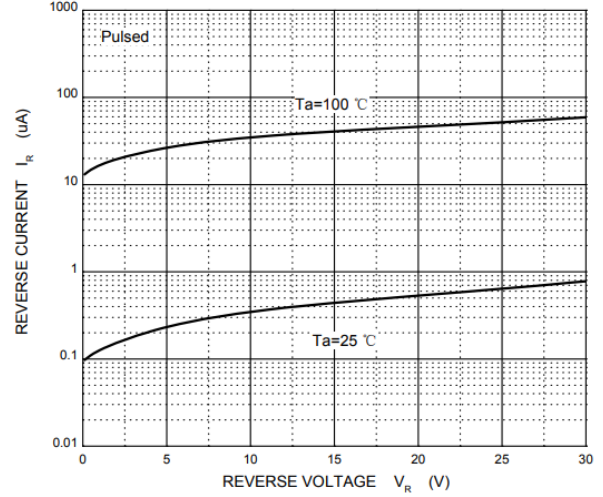
Symbol	Parameter	Test Conditions	Min	Typ	Max	Units
$V_{(BR)}$	Reverse voltage	$I_R=100 \mu A$	30			V
I_R	Reverse current	$V_R=25V$			2	uA
V_F	Forward voltage	$I_F=0.1mA$			0.24	V
		$I_F=1mA$			0.32	
		$I_F=10mA$			0.4	
		$I_F=30mA$			0.5	
		$I_F=100mA$			1	
C_{tot}	Total capacitance	$V_R=1V, f=1.0MHz$			10	pF
T_{rr}	Reverse recovery time	$I_F=I_R=10mA, I_{R(REC)}=1mA$			5	nS

TYPICAL CHARACTERISTICS

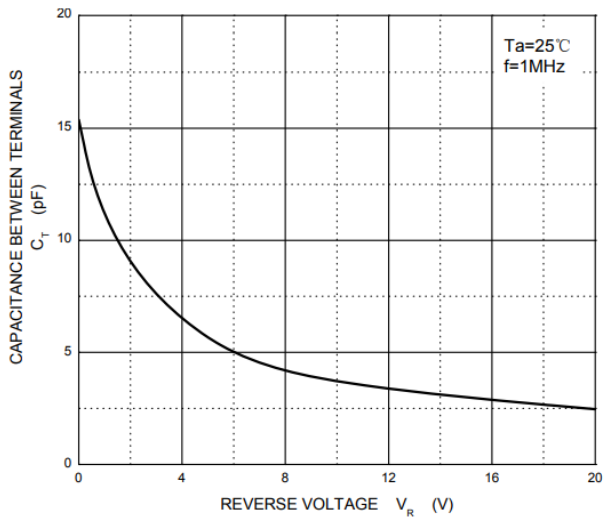
Forward Characteristics



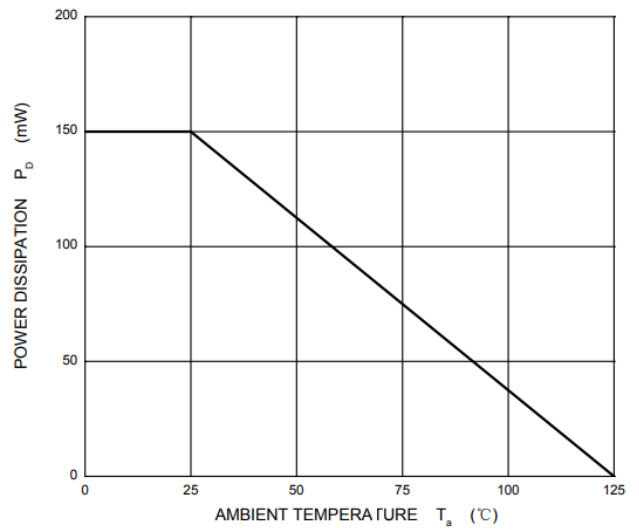
Reverse Characteristics



Capacitance Characteristics



Power Derating Curve



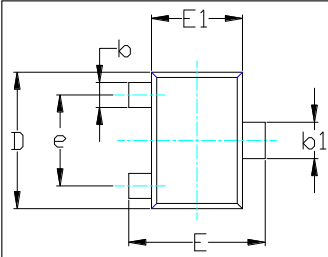
ORDERING INFORMATION

Device	Package	Shipping	Tape wide	Emboss pitch	Tape specification	Notes
BAT54CM	SOT723	Tape & Reel 8000pcs /7" Reel	8mm	4mm	Conductive	

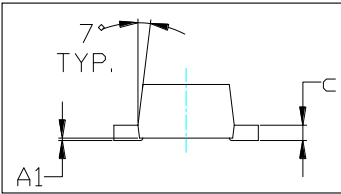
PACKAGE DIMENSIONS

Package outline : SOT723

Top view

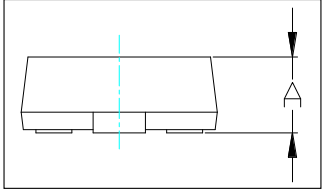


Side view

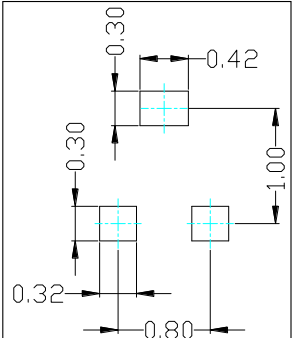


SYMBOL	DIMENSIONS IN MILLIMETER	
	MIN	MAX
A	0.430	0.500
A1	0.000	0.050
b	0.170	0.270
b1	0.270	0.370
c	0.080	0.150
D	1.150	1.250
E	1.150	1.250
E1	0.750	0.850
e	0.800 TYP.	
θ	0°	7°

Front view



Soldering Pattern



Notice:

1. Lead plating: Pb free solder
2. Lead thickness includes solder plating
3. Lead frame: CAC-5
4. Other Tolerance: ±0.05
5. Dimensions are exclusive of Burrs, Mold Flash and Tie Bar extrusions
6. Unit: mm

X-ON Electronics

Largest Supplier of Electrical and Electronic Components

Click to view similar products for [Schottky Diodes & Rectifiers](#) category:

Click to view products by [amsem](#) manufacturer:

Other Similar products are found below :

[MA4E2039](#) [MMBD301M3T5G](#) [RB160M-50TR](#) [D83C](#) [BAS16E6433HTMA1](#) [BAS 3010S-02LRH E6327](#) [BAT 54-02LRH E6327](#)
[NRVBAF360T3G](#) [NSR05F40QNXT5G](#) [NTE555](#) [JANS1N6640](#) [SS3003CH-TL-E](#) [GA01SHT18](#) [CRS10I30A\(TE85L,QM](#) [MBRA140TRPBF](#)
[MBRB30H30CT-1G](#) [BAT 15-04R E6152](#) [JANTX1N5712-1](#) [DMJ3940-000](#) [SB007-03C-TB-E](#) [NRVBB20100CTT4G](#) [NRVBM120LT1G](#)
[NTSB30U100CT-1G](#) [CRG04\(T5L,TEMQ\)](#) [ACDBA1100LR-HF](#) [ACDBA1200-HF](#) [ACDBA240-HF](#) [ACDBA3100-HF](#) [CDBQC0530L-HF](#)
[ACDBA260LR-HF](#) [ACDBA1100-HF](#) [10BQ015-M3/5BT](#) [NRVBM120ET1G](#) [VSSB410S-M3/5BT](#) [1N5819T-G](#) [PDS1040Q-13](#) [B160BQ-13-F](#)
[SDM05U20CSP-7](#) [BAS 70-07 E6433](#) [B140S1F-7](#) [HSM560Je3/TR13](#) [DDB2265-000](#) [ZHCS506QTA](#) [HSM190Je3/TR13](#) [B330AF-13](#)
[ACDBUC0230-HF](#) [SDM1U100S1F-7](#) [MBR10200CTF-G1](#) [CDLL5712](#) [DMF2822-000](#)