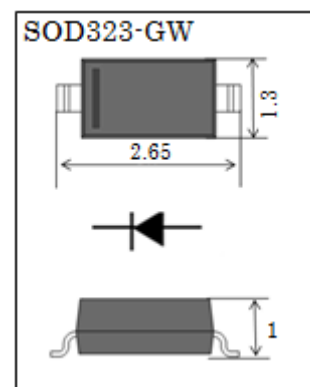


## SCHOTTKY BARRIER DIODE / DATA SHEET

## BAT54WX

- ◇ Low Forward Voltage Schottky Rectifier
- ◇ RoHS compliant / Green EMC
- ◇ SOD323-GW Thin SMD package
- ◇ Matte Tin (Sn) Lead finish
- ◇ Cathode Band / Device marking

Device Marking Code	
BAT54WX	L9



## Maximum Ratings (Ta = 25 °C)

Symbol	Parameter	Value	Units
$V_R$	DC Blocking Voltage	30	V
$I_O$	Average Rectified Output Current	100	mA
$I_F$	Forward continuous current	200	mA
$I_{FRM}$	Repetitive peak forward current	300	mA
$I_{FSM}$	Non-repetitive Peak Forward Surge Current *1	600	mA
$P_D$	Power Dissipation	200	mW
$T_J$	Junction Temperature	125	°C
$T_{STG}$	Storage Temperature	-65 to +125	°C

\*1 8.3 ms single half sine-wave

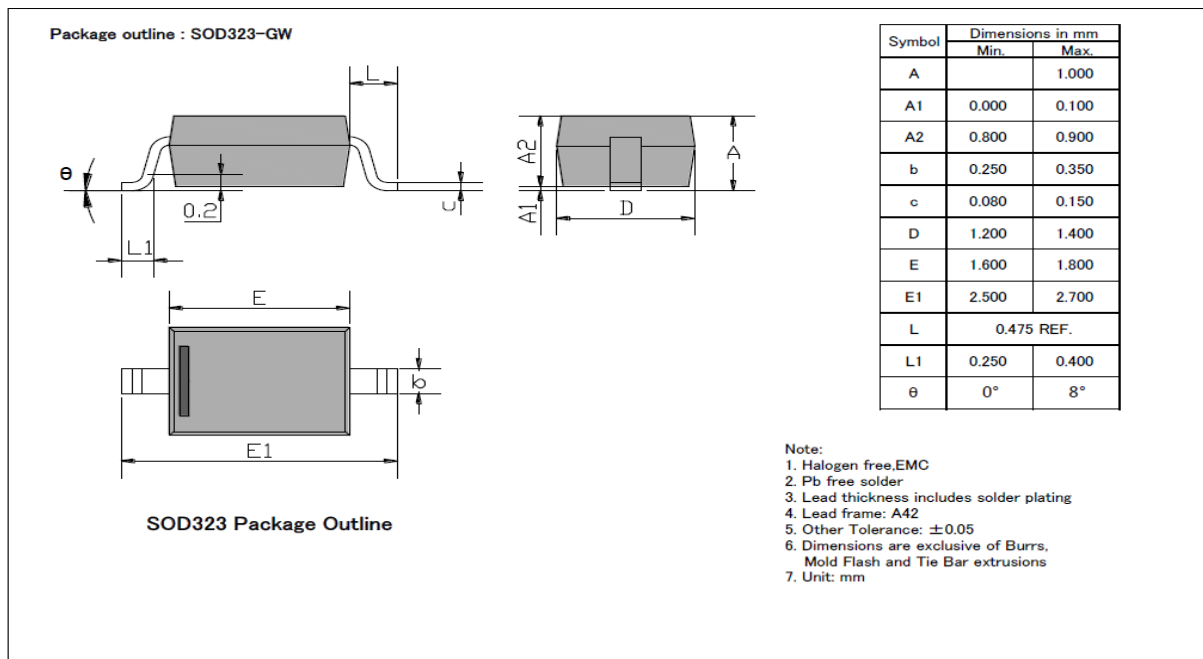
## Electrical Characteristics (Ta = 25 °C)

Symbol	Parameter	Conditions	Min	Typ	Max	Units
$V_{BR}$	Reverse breakdown voltage	$I_R = 100 \mu A$	30			V
$V_F$	Forward Voltage	$I_F = 0.1mA$ $I_F = 1.0mA$ $I_F = 10mA$ $I_F = 30mA$ $I_F = 100mA$			240 320 400 500 1000	mV
$I_R$	Reverse Current	$V_R = 25V$			2.0	$\mu A$
$C_T$	Capacitance	$V_R = 1V, f = 1MHz$			10	pF
trr	Reverse recovery time	$I_F = 10mA,$ $I_R = 10mA$ to 1mA , $R_L = 100\Omega$			5.0	ns

## Ordering Information

Device	Package	Shipping	Tape wide	Emboss pitch	Tape specification	Notes
BAT54WX	SOD323-GW	Tape & Reel 3000pcs /7" Reel	8 mm	4 mm	Conductive	

## Package Dimensions



## X-ON Electronics

Largest Supplier of Electrical and Electronic Components

*Click to view similar products for [Schottky Diodes & Rectifiers](#) category:*

*Click to view products by [amsem](#) manufacturer:*

Other Similar products are found below :

[MA4E2039](#) [MMBD301M3T5G](#) [RB160M-50TR](#) [D83C](#) [BAS16E6433HTMA1](#) [BAS 3010S-02LRH E6327](#) [BAT 54-02LRH E6327](#)  
[NRVBAF360T3G](#) [NSR05F40QNXT5G](#) [NTE555](#) [JANS1N6640](#) [SS3003CH-TL-E](#) [GA01SHT18](#) [CRS10I30A\(TE85L,QM](#) [MBRA140TRPBF](#)  
[MBRB30H30CT-1G](#) [BAT 15-04R E6152](#) [JANTX1N5712-1](#) [DMJ3940-000](#) [SB007-03C-TB-E](#) [NRVBB20100CTT4G](#) [NRVBM120LT1G](#)  
[NTSB30U100CT-1G](#) [CRG04\(T5L,TEMQ\)](#) [ACDBA1100LR-HF](#) [ACDBA1200-HF](#) [ACDBA240-HF](#) [ACDBA3100-HF](#) [CDBQC0530L-HF](#)  
[ACDBA260LR-HF](#) [ACDBA1100-HF](#) [10BQ015-M3/5BT](#) [NRVBM120ET1G](#) [VSSB410S-M3/5BT](#) [1N5819T-G](#) [PDS1040Q-13](#) [B160BQ-13-F](#)  
[SDM05U20CSP-7](#) [BAS 70-07 E6433](#) [B140S1F-7](#) [HSM560Je3/TR13](#) [DDB2265-000](#) [ZHCS506QTA](#) [HSM190Je3/TR13](#) [B330AF-13](#)  
[ACDBUC0230-HF](#) [SDM1U100S1F-7](#) [MBR10200CTF-G1](#) [CDLL5712](#) [DMF2822-000](#)