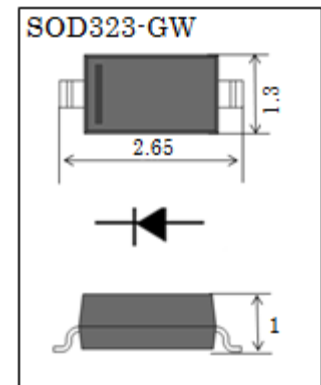


SWITCHING DIODE / DATA SHEET

BAV19WX–BAV21WX

- ◇ General purpose diodes
- ◇ Fast switching devices
- ◇ **SOD323GW** Micro SMD package
- ◇ RoHS compliant / Green EMC
- ◇ Matte Tin (Sn) Lead finish
- ◇ Cathode Band / Device marking

| Device Marking Code | |
|---------------------|-------|
| BAV19WX | A8 |
| BAV20WX | T2 |
| BAV21WX | T3/JS |



Maximum Ratings (Ta = 25 °C)

| Symbol | Parameter | BAV19M3 | BAV20M3 | BAV21M3 | Units |
|--------------|---|-------------|---------|---------|-------|
| V_{RM} | Non-Repetitive Peak Reverse Voltage | 120 | 200 | 250 | V |
| V_{RRM} | Repetitive Peak Reverse Voltage | 100 | 150 | 200 | V |
| $V_{R(RMS)}$ | RMS Reverse Voltage | 71 | 106 | 141 | V |
| I_O | Average Rectified Output Current | 200 | | | mA |
| I_{FSM} | Non-Repetitive Peak Forward Surge Current(@t=1uS) | 4.0 | | | A |
| P_D | Power Dissipation | 250 | | | mW |
| T_J | Junction Temperature | 150 | | | °C |
| T_{STG} | Storage Temperature | -65 to +150 | | | °C |

Electrical Characteristics (Ta = 25 °C)

| Symbol | Parameter | Test Conditions | | Min | Max | Units |
|--------|-----------------------|---|-------------------------------|-----|-------------------|-------|
| V_F | Forward Voltage | $I_F=100mA$ $I_F=200mA$ | | | 1 1.25 | V |
| I_R | Reverse current | $V_R=100V$ $V_R=150V$ $V_R=200V$ | BAV19WX BAV20WX BAV21WX | | 0.1 0.1 0.1 | uA |
| Ctot | Total capacitance | $V_R=0V, f=1MHz$ | | | 5 | pF |
| trr | Reverse recovery time | $I_F=I_R=30mA, I_{rr}=0.1*I_R, R_L=100\Omega$ | | | 50 | ns |

Characteristics Curves

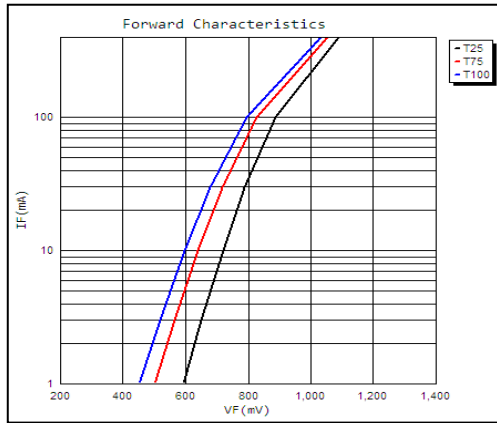


Fig.1 Forward current(IF) vs Forward voltage(VF)

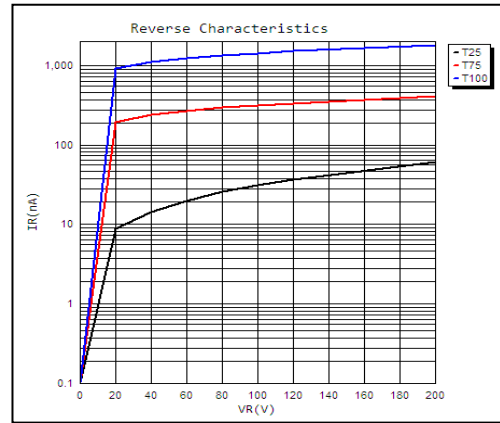


Fig.2 Reverse current(IR) vs Reverse voltage(VR)

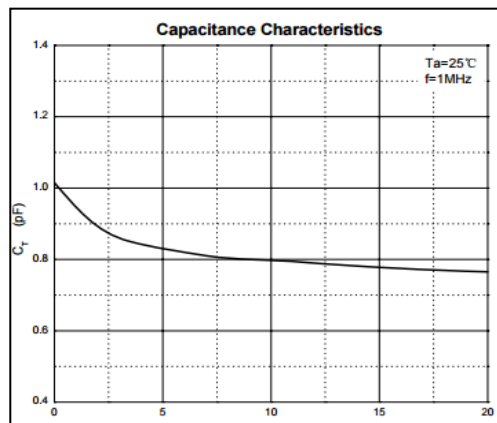


Fig.3 Capacitance vs Reverse voltage(VR)

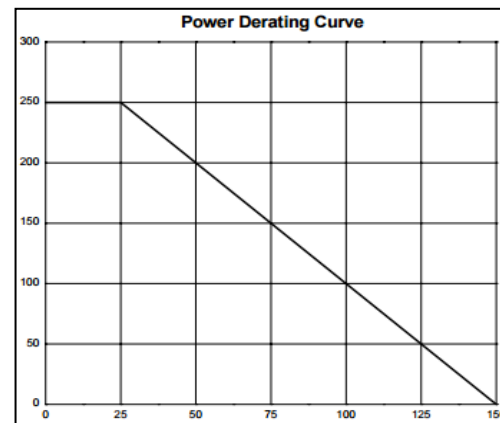
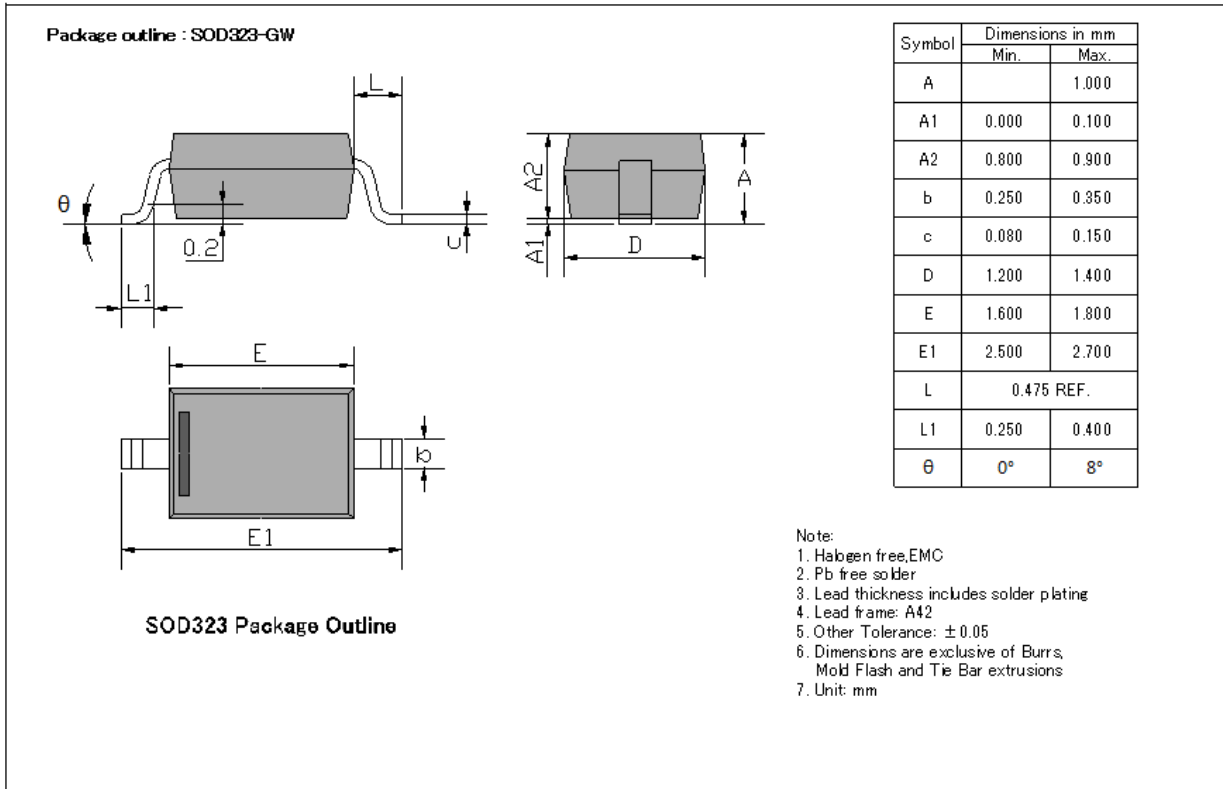


Fig.4 Power Derating Curve

Ordering Information

| Device | Package | Shipping | Tape wide | Emboss pitch | Tape specification | Notes |
|---------------------|--------------|---------------------------------|-----------|--------------|--------------------|-------|
| BAV19WX- BAV21WX | SOD323G W | Tape & Reel 3000pcs /7" Reel | 8 mm | 4 mm | Conductive | |

Package Dimensions



NOTICE

AM'S PRODUCTS ARE NOT AUTHORIZED FOR USE AS COMPONENTS IN ANY LIFE SUPPORT DEVICES OR SYSTEMS.

AM reserve the right to make modifications, enhancements, improvements, corrections or other changes without further notice to any product herein. AM does not assume any liability arising out of the application or use of any product described herein.

X-ON Electronics

Largest Supplier of Electrical and Electronic Components

Click to view similar products for [Diodes - General Purpose, Power, Switching category](#):

Click to view products by [amsem manufacturer](#):

Other Similar products are found below :

[MMBD3004S-13-F](#) [1N3611](#) [NTE156A](#) [NTE6244](#) [1SS400CST2RA](#) [SDAA13](#) [SHN2D02FUTW1T1G](#) [1N4449](#) [1N456A](#) [1N914BTR](#)
[D291S45T](#) [BAS 16-02L E6327](#) [BAS 16-02V H6327](#) [BAS 21U E6327](#) [BAS 28 E6327](#) [BAW56DWQ-7-F](#) [BAW56M3T5G](#) [BAW75-TAP](#)
[MM230L-CAA](#) [IDW40E65D1](#) [JAN1N3600](#) [JAN1N4454UR-1](#) [SMMSD4148T3G](#) [BYW95B/A52A](#) [NSVDAN222T1G](#) [CDSZC01100-HF](#)
[BAV70HDW-7](#) [BAS28-7](#) [JANTX1N6640](#) [BAW56HDW-13](#) [BAS28 TR](#) [VS-HFA04SD60STR-M3](#) [1SS388-TP](#) [BAV99TQ-13-F](#)
[BAV99HDW-13](#) [1N4004](#) [MMDB30-E28X](#) [LS4148](#) [IDV15E65D2](#) [W0503RH200S0L](#) [M0268SJ200NLF](#) [M0268RJ200NLF](#) [S3MBF](#) [US1J](#)
[DAN217U-TP](#) [SHV-06JNS-Q](#) [IDW30C65D1](#) [IDW80C65D1](#) [VS-HFA30TA60CSR-M3](#) [M1MA152WAT1](#)