

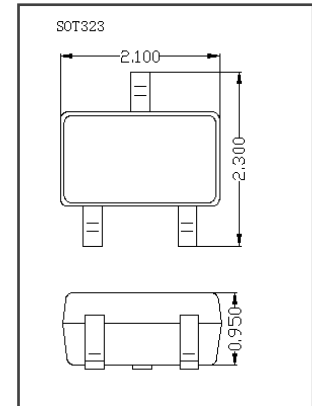
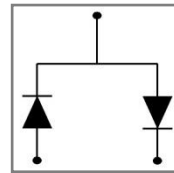
DATA SHEET

BAV99W

- ◇Epoxy meets UL 94 V-0 flammability rating
- ◇Small Outline Surface Mount Package
- ◇Low Current Leakage
- ◇For high-speed switching applications

Device Marking Code	
BAV99W	KJG

Equivalent Circuit

MAXIMUM RATINGS (T_a = 25 °C)

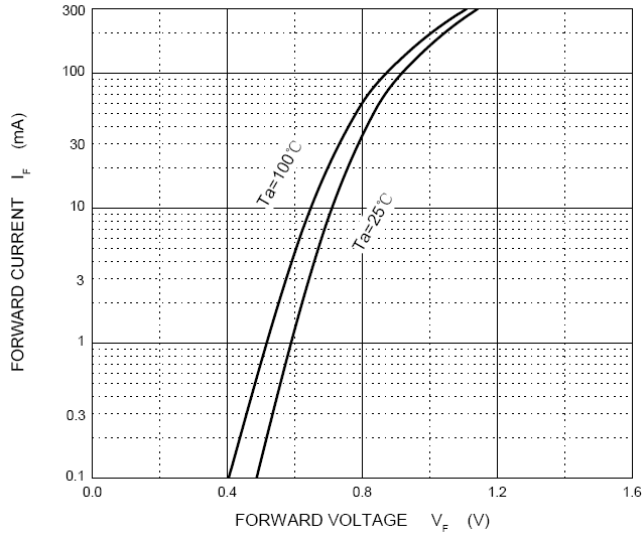
Symbol	Parameter	Value	Units
V _R	Reverse Voltage	75	V
I _F	Forward Current	150	mA
I _{FSM}	Non-Repetitive Peak Forward Surge Current @t=8.3ms	2.0	A
P _d	Power Dissipation	200	mW
T _J	Junction Temperature	150	°C
T _{STG}	Storage Temperature	-55 to 150	°C
R _{θJA}	Thermal Resistance from Junction to Ambient	625	°C/W

ELECTRICAL CHARACTERISTICS (T_a = 25 °C)

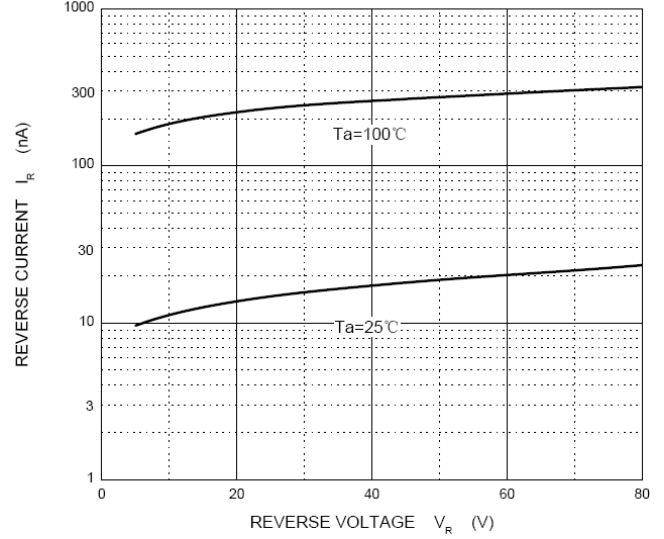
Symbol	Parameter	Test Conditions	Min	Typ	Max	Units
V _{BR}	Reverse breakdown voltage	I _R =100uA	75			V
I _R	Reverse voltage leakage current	V _R =75V			2.5	uA
		V _R =25V			25	nA
V _F	Forward voltage	I _F =1mA			715	mV
		I _F =10mA			855	mV
		I _F =50mA			1000	mV
		I _F =150mA			1250	mV
C _D	Diode capacitance	V _R =0V, f=1MHZ			2	pF
t _{rr}	Reverse recovery time	I _F =I _R =10mA I _{rr} =0.1 × I _R , R _L =100 Ω			4	nS

TYPICAL CHARACTERISTICS

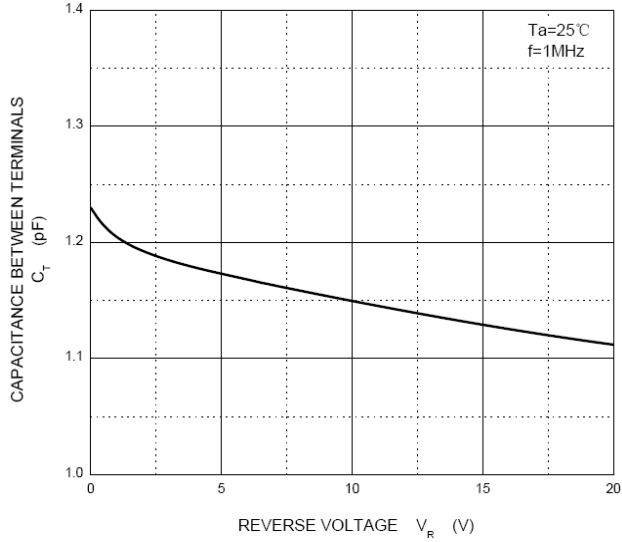
Forward Characteristics



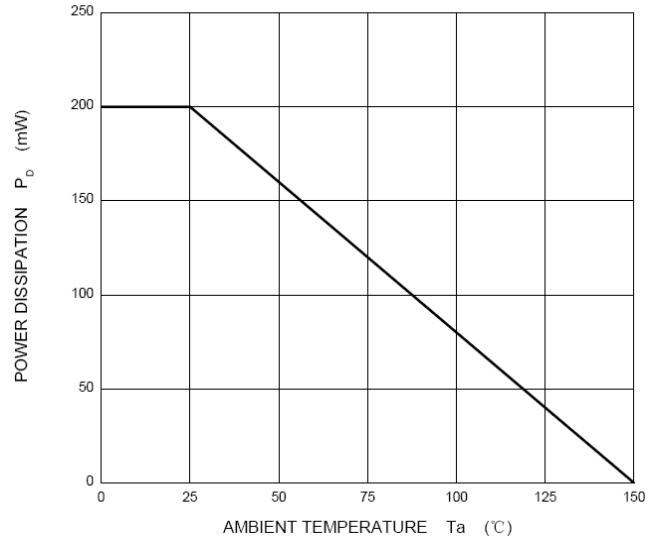
Reverse Characteristics



Capacitance Characteristics



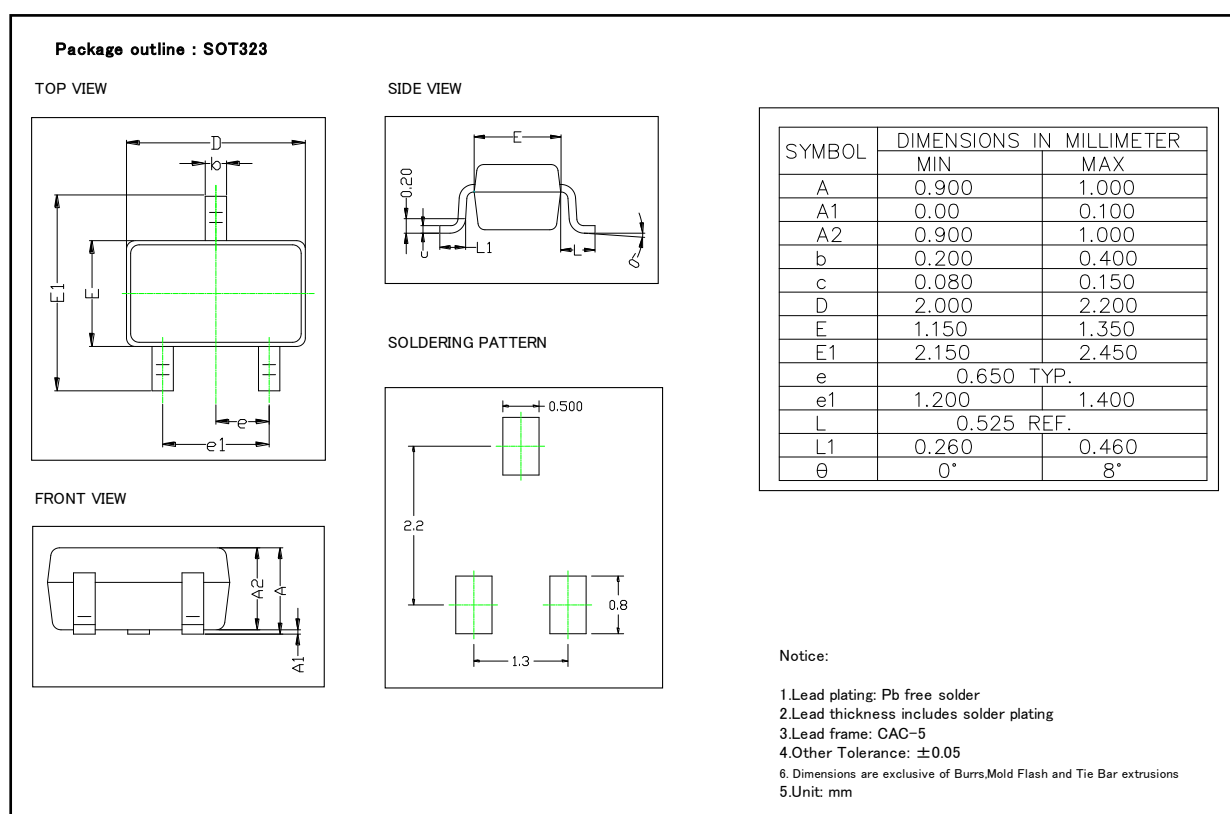
Power Derating Curve



ORDERING INFORMATION

Device	Package	Shipping	Tape wide	Emboss pitch	Tape specification	Notes
BAV99W	SOT323	Tape & Reel 3000pcs /7" Reel	8mm	4mm	Conductive	

PACKAGE DIMENSIONS



X-ON Electronics

Largest Supplier of Electrical and Electronic Components

Click to view similar products for [Diodes - General Purpose, Power, Switching category:](#)

Click to view products by [amsem manufacturer:](#)

Other Similar products are found below :

[MMBD3004S-13-F](#) [1N3611](#) [NTE156A](#) [NTE6244](#) [1SS400CST2RA](#) [SDAA13](#) [SHN2D02FUTW1T1G](#) [1N4449](#) [1N456A](#) [1N914BTR](#)
[D291S45T](#) [BAS 16-02L E6327](#) [BAS 16-02V H6327](#) [BAS 21U E6327](#) [BAS 28 E6327](#) [BAW56DWQ-7-F](#) [BAW56M3T5G](#) [BAW75-TAP](#)
[MM230L-CAA](#) [IDW40E65D1](#) [JAN1N3600](#) [JAN1N4454UR-1](#) [SMMSD4148T3G](#) [BYW95B/A52A](#) [NSVDAN222T1G](#) [CDSZC01100-HF](#)
[BAV70HDW-7](#) [BAS28-7](#) [JANTX1N6640](#) [BAW56HDW-13](#) [BAS28 TR](#) [VS-HFA04SD60STR-M3](#) [1SS388-TP](#) [BAV99TQ-13-F](#)
[BAV99HDW-13](#) [1N4004](#) [MMDB30-E28X](#) [LS4148](#) [IDV15E65D2](#) [W0503RH200S0L](#) [W0503SH200S0L](#) [M0268SJ200NLF](#)
[M0268RJ200NLF](#) [S3MBF](#) [US1J](#) [DAN217U-TP](#) [SHV-06JNS-Q](#) [IDW30C65D1](#) [IDW80C65D1](#) [VS-HFA30TA60CSR-M3](#)