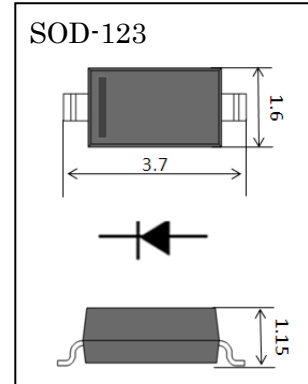


Schottky Barrier Diode / DATA SHEET

MBR0520-MBR0580

- ◇ Low Forward Voltage Schottky Rectifier
- ◇ RoHS compliant / Green EMC
- ◇ Matte Tin (Sn) Lead finish
- ◇ Moisture Level Sensitivity 1
- ◇ Cathode Band / Device marking

Device Marking Code	
MBR0520	R2 •
MBR0530	R3 •
MBR0540	R4 •
MBR0560	R6 •
MBR0580	R8 •



Absolute Maximum Ratings (Ta = 25 °C)

Symbol	Parameter	Value					Units
		20	30	40	60	80	
V _{RRM}	Maximum recurrent peak reverse voltage	20	30	40	60	80	V
V _{RMS}	Maximum RMS voltage	14	21	28	42	56	
I _O	Continuous Forward Current	0.5					A
I _{FSM}	Non-repetitive Peak Forward Surge Current*1	5.5					A
P _D	Power Dissipation	410					mW
T _{STG}	Storage Temperature	-65 to +150					°C

*1 8.3 ms single half sine-wave

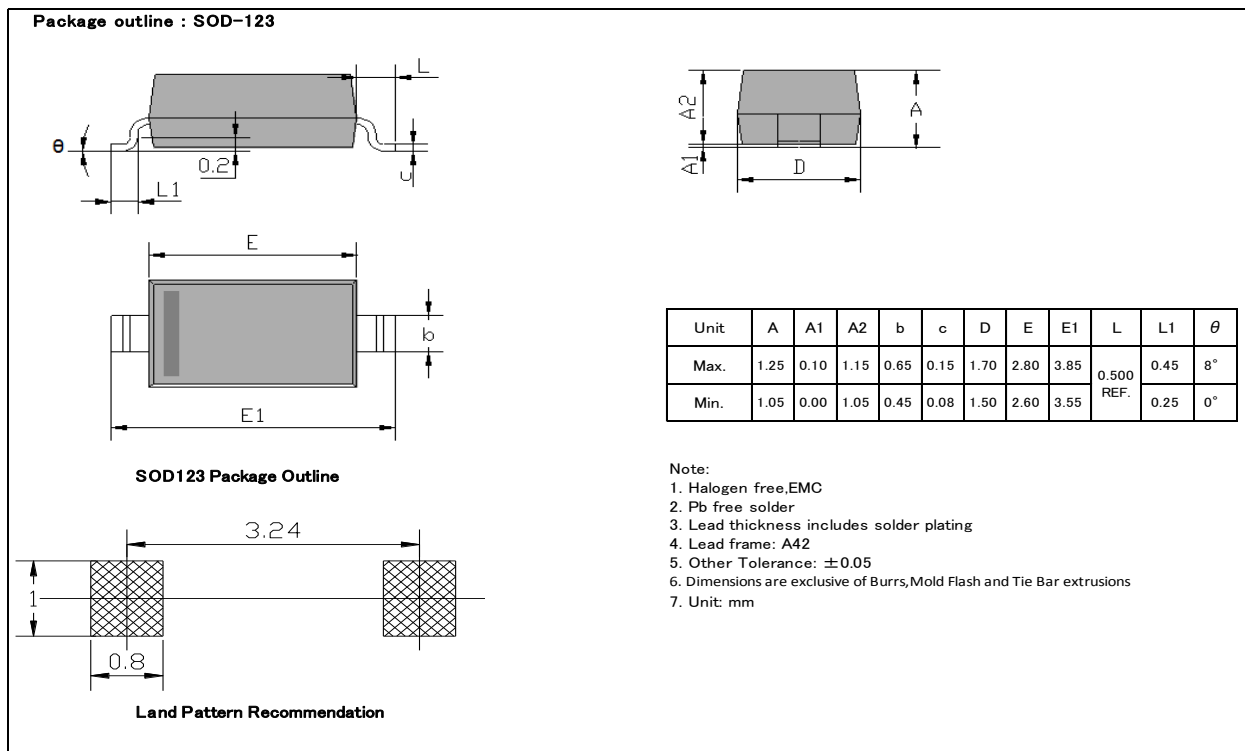
Electrical Characteristics (Ta = 25 °C)

Device	Symbol	Parameter	Conditions	Min	Typ	Max	Units
MBR0520	V _F	Forward Voltage	IF = 0.5A			0.45	V
MBR0530						0.55	
MBR0540						0.55	
MBR0560						0.70	
MBR0580						0.80	
MBR0520	I _R	Reverse Current	V _R = 20V V _R = 30V V _R = 40V V _R = 60V V _R = 80V			200	μA
MBR0530							
MBR0540							
MBR0560							
MBR0580							
MBR series	C _T	Capacitance	V _R = 4V, f = 1MHz		30		pF

Ordering Information

Device	Package	Shipping	Tape wide	Emboss pitch	Tape specification	Notes
MBR series	SOD123	Tape & Reel 3000pcs /7" Reel	8 mm	4 mm	Conductive	

Package Dimensions



X-ON Electronics

Largest Supplier of Electrical and Electronic Components

Click to view similar products for [Schottky Diodes & Rectifiers](#) category:

Click to view products by [amsem](#) manufacturer:

Other Similar products are found below :

[MA4E2039](#) [MMBD301M3T5G](#) [RB160M-50TR](#) [D83C](#) [BAS16E6433HTMA1](#) [BAS 3010S-02LRH E6327](#) [BAT 54-02LRH E6327](#)
[NRVBAF360T3G](#) [NSR05F40QNXT5G](#) [NTE555](#) [JANS1N6640](#) [SS3003CH-TL-E](#) [GA01SHT18](#) [CRS10I30A\(TE85L,QM](#) [MBRA140TRPBF](#)
[MBRB30H30CT-1G](#) [BAT 15-04R E6152](#) [JANTX1N5712-1](#) [DMJ3940-000](#) [SB007-03C-TB-E](#) [NRVBB20100CTT4G](#) [NRVBM120LT1G](#)
[NTSB30U100CT-1G](#) [CRG04\(T5L,TEMQ\)](#) [ACDBA1100LR-HF](#) [ACDBA1200-HF](#) [ACDBA240-HF](#) [ACDBA3100-HF](#) [CDBQC0530L-HF](#)
[ACDBA260LR-HF](#) [ACDBA1100-HF](#) [10BQ015-M3/5BT](#) [NRVBM120ET1G](#) [VSSB410S-M3/5BT](#) [1N5819T-G](#) [PDS1040Q-13](#) [B160BQ-13-F](#)
[SDM05U20CSP-7](#) [BAS 70-07 E6433](#) [B140S1F-7](#) [HSM560Je3/TR13](#) [DDB2265-000](#) [ZHCS506QTA](#) [HSM190Je3/TR13](#) [B330AF-13](#)
[ACDBUC0230-HF](#) [SDM1U100S1F-7](#) [MBR10200CTF-G1](#) [CDLL5712](#) [DMF2822-000](#)