

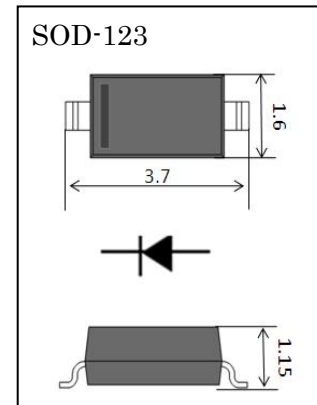
DATA SHEET

MBRX120LF

- ◇ Low Forward Voltage Schottky Rectifier
- ◇ RoHS compliant / Green EMC
- ◇ SOD123 Thin SMD package
- ◇ Matte Tin (Sn) Lead finish
- ◇ Cathode Band / Device marking

Device Marking Code

MBRX120LF	F02
------------------	------------



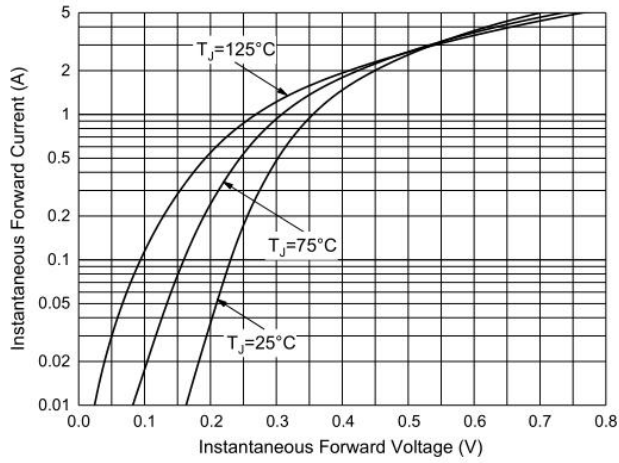
Maximum Ratings (Ta = 25 °C)

Symbol	Parameter	Value	Units
V_{RRM}	Maximum Recurrent Peak Reverse Voltage	20	V
$V_{R(RMS)}$	RMS Reverse Voltage	14	V
I_{FM}	Forward Continuous Current	1	A
I_{FSM}	Repetitive Peak Forward Current (8.3 ms)	12	A
P_D	Power Dissipation Note	556	mW
T_J	Junction Temperature	125	°C
T_{STG}	Storage Temperature	-65 to +125	°C

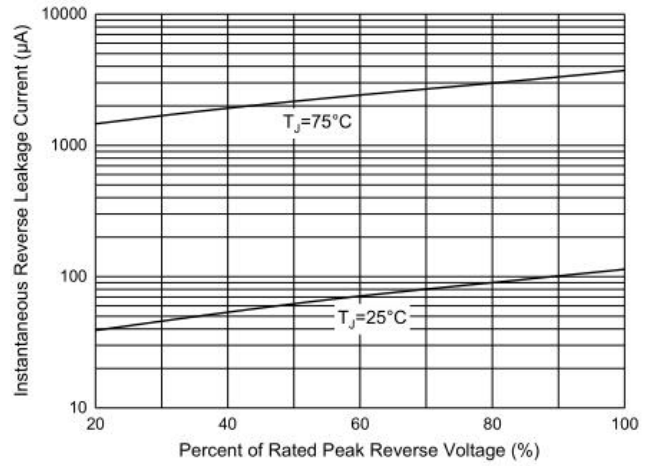
Electrical Characteristics (Ta = 25 °C)

Symbol	Parameter	Conditions	Min	Typ	Max	Units
V_{BR}	Reverse Breakdown Voltage	$I_R=500 \mu A$	20			V
V_F	Forward Voltage	$I_F=0.1A$		0.2		V
		$I_F=0.7A$		0.3		
		$I_F=1A$		0.32	0.36	
I_R	Reverse Current	$V_R = 5V$ $V_R = 20V$		0.26	1	mA
C_T	Capacitance	$V_R = 10V, f = 1MHz$		75		pF

Typical Characteristics



Typical Instantaneous Forward Characteristics



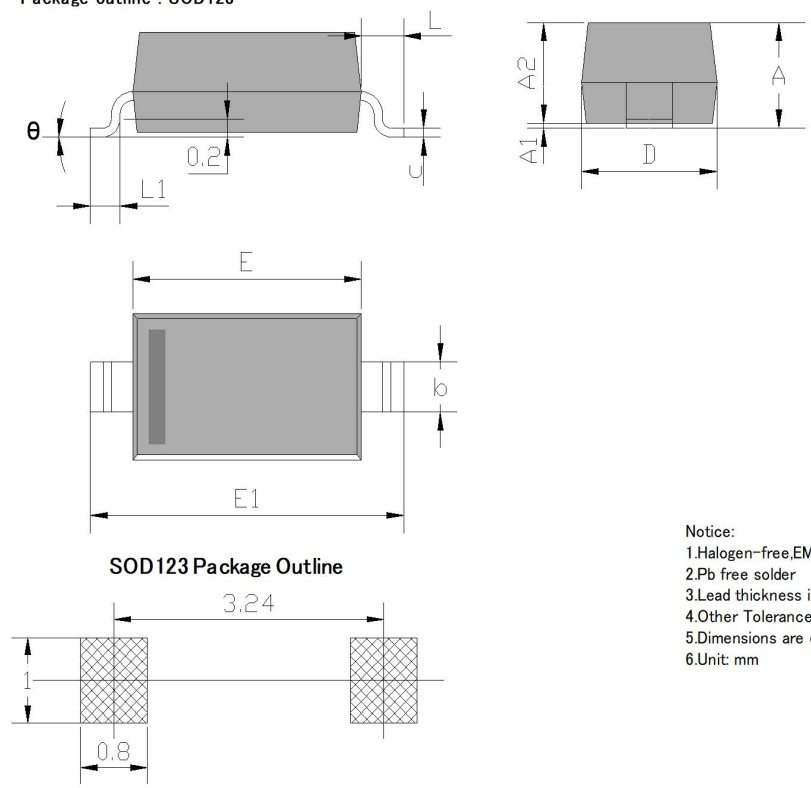
Typical Reverse Leakage Characteristics

Ordering Information

Device	Package	Shipping	Tape wide	Emboss pitch	Tape specification	Notes
MBRX120LF	SOD123	Tape & Reel 3000pcs /7" Reel	8 mm	4 mm	Conductive	

Package Dimensions

Package outline : SOD123



SOD123 Package Outline

Land Pattern Recommendation

Symbol	Dimensions in mm	
	Min.	Max.
A	1.050	1.250
A1	0.000	0.100
A2	1.050	1.150
b	0.450	0.650
c	0.080	0.150
D	1.500	1.700
E	2.600	2.800
E1	3.550	3.850
L	0.500 REF.	
L1	0.250	0.450
θ	0°	8°

Notice:

- 1.Halogen-free,EMC
- 2.Pb free solder
- 3.Lead thickness includes solder plating
- 4.Other Tolerance: ± 0.05
- 5.Dimensions are exclusive of Burrs,Mold Flash and Tie Bar extrusions
- 6.Unit: mm

X-ON Electronics

Largest Supplier of Electrical and Electronic Components

Click to view similar products for [Schottky Diodes & Rectifiers](#) category:

Click to view products by [amsem](#) manufacturer:

Other Similar products are found below :

[MA4E2039](#) [MMBD301M3T5G](#) [RB160M-50TR](#) [D83C](#) [BAS16E6433HTMA1](#) [BAS 3010S-02LRH E6327](#) [BAT 54-02LRH E6327](#)
[NRVBAF360T3G](#) [NSR05F40QNXT5G](#) [NTE555](#) [JANS1N6640](#) [SS3003CH-TL-E](#) [GA01SHT18](#) [CRS10I30A\(TE85L,QM](#) [MBRA140TRPBF](#)
[MBRB30H30CT-1G](#) [BAT 15-04R E6152](#) [JANTX1N5712-1](#) [DMJ3940-000](#) [SB007-03C-TB-E](#) [NRVBB20100CTT4G](#) [NRVBM120LT1G](#)
[NTSB30U100CT-1G](#) [CRG04\(T5L,TEMQ\)](#) [ACDBA1100LR-HF](#) [ACDBA1200-HF](#) [ACDBA240-HF](#) [ACDBA3100-HF](#) [CDBQC0530L-HF](#)
[ACDBA260LR-HF](#) [ACDBA1100-HF](#) [10BQ015-M3/5BT](#) [NRVBM120ET1G](#) [VSSB410S-M3/5BT](#) [1N5819T-G](#) [PDS1040Q-13](#) [B160BQ-13-F](#)
[SDM05U20CSP-7](#) [BAS 70-07 E6433](#) [B140S1F-7](#) [HSM560Je3/TR13](#) [DDB2265-000](#) [ZHCS506QTA](#) [HSM190Je3/TR13](#) [B330AF-13](#)
[ACDBUC0230-HF](#) [SDM1U100S1F-7](#) [MBR10200CTF-G1](#) [CDLL5712](#) [DMF2822-000](#)