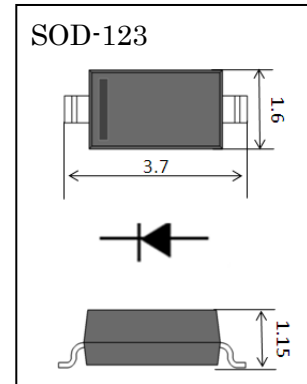


Schottky Barrier Diode / DATA SHEET

SD103AW;SD103BW;SD103CW

- ◇ Low Power Loss For High Efficiency
- ◇ Low Forward Voltage Schottky Rectifier
- ◇ **SOD123** Micro SMD package
- ◇ RoHS compliant / Green EMC
- ◇ Matte Tin (Sn) Lead finish
- ◇ Cathode Band / Device marking

Device Marking Code	
SD103AW	S4
SD103BW	S5
SD103CW	S6



Maximum Ratings (Ta = 25 °C)

Symbol	Parameter	SD103AW	SD103BW	SD103CW	Units
V_{RM}	Non-Repetitive Peak Reverse Voltage	40	30	20	V
V_{RRM}	Repetitive Peak Reverse Voltage	40	30	20	V
$V_{R(RMS)}$	RMS Reverse Voltage	28	21	14	V
I_O	Average Rectified Output Current	350			mA
I_{FSM}	Non-Repetitive Peak Forward Surge Current (@t<=1.0s)	1.5			A
P_D	Power Dissipation	400			mW
T_J	Junction Temperature	125			°C
T_{STG}	Storage Temperature	-55 to +125			°C

Electrical Characteristics (Ta = 25 °C)

Symbol	Parameter	Test Conditions		Min	Max	Units
V_F	Forward Voltage	$I_F=20mA$ $I_F=200mA$			0.37 0.6	V
I_R	Reverse current	$V_R=30V$	SD103AW		5.0	uA
		$V_R=20V$	SD103BW		5.0	
		$V_R=10V$	SD103CW		5.0	

Electrical Characteristics (Ta = 25 °C)

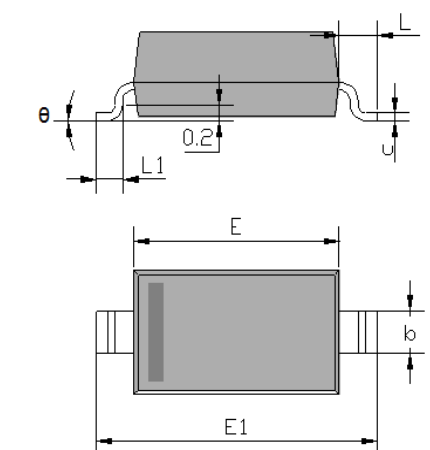
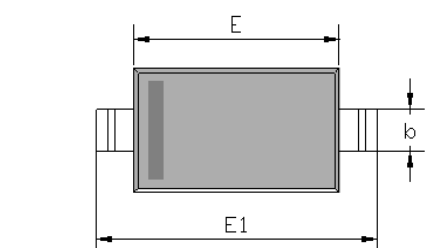
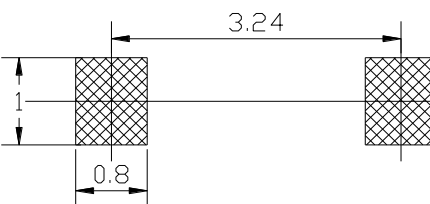
Symbol	Parameter	Test Conditions	Min	Max	Units
Ctot	Total capacitance	$V_R=0V, f=1MHz$		50	pF
trr	Reverse recovery time	$I_F=I_R=200mA, I_{rr}=0.1 \cdot I_R, R_L=100\Omega$		10	ns

Ordering Information

Device	Package	Shipping	Tape wide	Emboss pitch	Tape specification	Notes
SD103xW series	SOD123	Tape & Reel 3000pcs /7" Reel	8 mm	4 mm	Conductive	

Package Dimensions

Package outline : SOD-123

Unit	A	A1	A2	b	c	D	E	E1	L	L1	θ
Max.	1.25	0.10	1.15	0.65	0.15	1.70	2.80	3.85	0.500 REF.	0.45	8°
Min.	1.05	0.00	1.05	0.45	0.08	1.50	2.60	3.55		0.25	0°

SOD123 Package Outline

Land Pattern Recommendation

Note:

1. Halogen free, EMC
2. Pb free solder
3. Lead thickness includes solder plating
4. Lead frame: A42
5. Other Tolerance: ± 0.05
6. Dimensions are exclusive of Burrs, Mold Flash and Tie Bar extrusions
7. Unit: mm

NOTICE

AM'S PRODUCTS ARE NOT AUTHORIZED FOR USE AS COMPONENTS IN ANY LIFE SUPPORT DEVICES OR SYSTEMS.

AM reserve the right to make modifications, enhancements, improvements, corrections or other changes without further notice to any product herein. AM does not assume any liability arising out of the application or use of any product described herein.

X-ON Electronics

Largest Supplier of Electrical and Electronic Components

Click to view similar products for [Schottky Diodes & Rectifiers](#) category:

Click to view products by [amsem](#) manufacturer:

Other Similar products are found below :

[MA4E2039](#) [MMBD301M3T5G](#) [RB160M-50TR](#) [D83C](#) [BAS16E6433HTMA1](#) [BAS 3010S-02LRH E6327](#) [BAT 54-02LRH E6327](#)
[NRVBAF360T3G](#) [NSR05F40QNXT5G](#) [NTE555](#) [JANS1N6640](#) [SS3003CH-TL-E](#) [GA01SHT18](#) [CRS10I30A\(TE85L,QM](#) [MBRA140TRPBF](#)
[MBRB30H30CT-1G](#) [BAT 15-04R E6152](#) [JANTX1N5712-1](#) [DMJ3940-000](#) [SB007-03C-TB-E](#) [NRVBB20100CTT4G](#) [NRVBM120LT1G](#)
[NTSB30U100CT-1G](#) [CRG04\(T5L,TEMQ\)](#) [ACDBA1100LR-HF](#) [ACDBA1200-HF](#) [ACDBA240-HF](#) [ACDBA3100-HF](#) [CDBQC0530L-HF](#)
[ACDBA260LR-HF](#) [ACDBA1100-HF](#) [10BQ015-M3/5BT](#) [NRVBM120ET1G](#) [VSSB410S-M3/5BT](#) [1N5819T-G](#) [PDS1040Q-13](#) [B160BQ-13-F](#)
[SDM05U20CSP-7](#) [BAS 70-07 E6433](#) [B140S1F-7](#) [HSM560Je3/TR13](#) [DDB2265-000](#) [ZHCS506QTA](#) [HSM190Je3/TR13](#) [B330AF-13](#)
[ACDBUC0230-HF](#) [SDM1U100S1F-7](#) [MBR10200CTF-G1](#) [CDLL5712](#) [DMF2822-000](#)