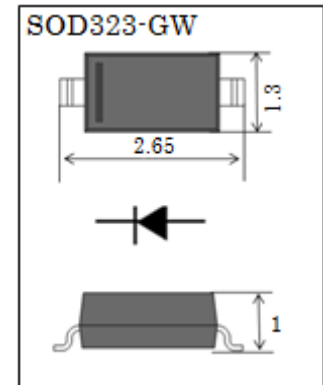


Schottky Barrier Diode / DATA SHEET

SD103AWX;SD103BWX;SD103CWX

- ◇ Low Power Loss For High Efficiency
- ◇ Low Forward Voltage Schottky Rectifier
- ◇ SOD323 Micro SMD package
- ◇ RoHS compliant / Green EMC
- ◇ Matte Tin (Sn) Lead finish
- ◇ Cathode Band / Device marking

Device Marking Code	
SD103AWX	S4
SD103BWX	S5
SD103CWX	S6



Maximum Ratings (Ta = 25 °C)

Symbol	Parameter	SD103AWX	SD103BWX	SD103CWX	Units
V_{RM}	Non-Repetitive Peak Reverse Voltage	40	30	20	V
V_{RRM}	Repetitive Peak Reverse Voltage	40	30	20	V
$V_{R(RMS)}$	RMS Reverse Voltage	28	21	14	V
I_O	Average Rectified Output Current	350			mA
I_{FSM}	Non-Repetitive Peak Forward Surge Current (@t=8.3ms)	2			A
P_D	Power Dissipation	200			mW
T_J	Junction Temperature	125			°C
T_{STG}	Storage Temperature	-55 to +125			°C

Electrical Characteristics (Ta = 25 °C)

Symbol	Parameter	Test Conditions		Min	Typ	Max	Units
V_{BR}	Reverse brekedown Voltage	$I_R=100\mu A$	SD103AWX	40			V
		$I_R=100\mu A$	SD103BWX	30			
		$I_R=100\mu A$	SD103CWX	20			
V_F	Forward Voltage	$I_F=20mA$				0.37	V
		$I_F=200mA$				0.6	
I_R	Reverse current	$V_R=30V$	SD103AWX			5.0	uA
		$V_R=20V$	SD103BWX			5.0	
		$V_R=10V$	SD103CWX			5.0	

Electrical Characteristics (Ta = 25 °C)

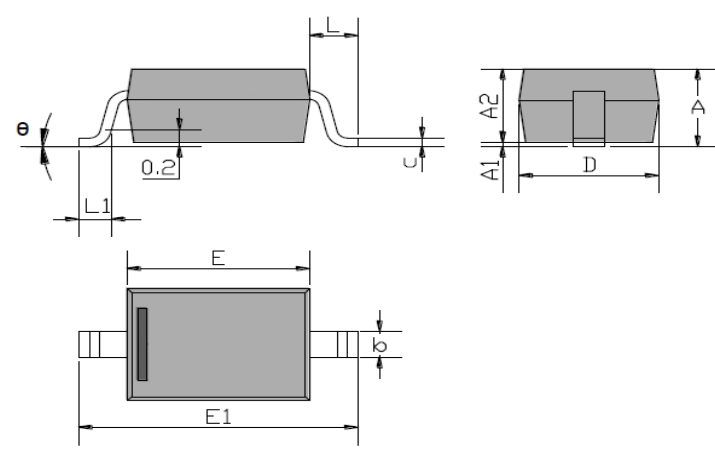
Symbol	Parameter	Test Conditions	Min	Max	Units
Ctot	Total capacitance	$V_R=0V, f=1MHz$		50	pF
trr	Reverse recovery time	$I_F=I_R=200mA, I_{rr}=0.1*I_R, R_L=100\Omega$	10		ns

Ordering Information

Device	Package	Shipping	Tape wide	Emboss pitch	Tape specification	Notes
SD103xWX	SOD323-GW	Tape & Reel 3000pcs /7" Reel	8 mm	4 mm	Conductive	

Package Dimensions

Package outline : SOD323-GW



Symbol	Dimensions in mm	
	Min.	Max.
A		1.000
A1	0.000	0.100
A2	0.800	0.900
b	0.250	0.350
c	0.080	0.150
D	1.200	1.400
E	1.600	1.800
E1	2.500	2.700
L	0.475 REF.	
L1	0.250	0.400
θ	0°	8°

SOD323 Package Outline

Note:
 1. Halogen free,EMC
 2. Pb free solder
 3. Lead thickness includes solder plating
 4. Lead frame: A42
 5. Other Tolerance: ±0.05
 6. Dimensions are exclusive of Burrs, Mold Flash and Tie Bar extrusions
 7. Unit: mm

NOTICE

AM'S PRODUCTS ARE NOT AUTHORIZED FOR USE AS COMPONENTS IN ANY LIFE SUPPORT DEVICES OR SYSTEMS.

AM reserve the right to make modifications, enhancements, improvements, corrections or other changes without further notice to any product herein. AM does not assume any liability arising out of the application or use of any product described herein.

X-ON Electronics

Largest Supplier of Electrical and Electronic Components

Click to view similar products for [Schottky Diodes & Rectifiers](#) category:

Click to view products by [amsem](#) manufacturer:

Other Similar products are found below :

[MA4E2039](#) [MMBD301M3T5G](#) [RB160M-50TR](#) [D83C](#) [BAS16E6433HTMA1](#) [BAS 3010S-02LRH E6327](#) [BAT 54-02LRH E6327](#)
[NRVBAF360T3G](#) [NSR05F40QNXT5G](#) [NTE555](#) [JANS1N6640](#) [SS3003CH-TL-E](#) [GA01SHT18](#) [CRS10I30A\(TE85L,QM](#) [MBRA140TRPBF](#)
[MBRB30H30CT-1G](#) [BAT 15-04R E6152](#) [JANTX1N5712-1](#) [DMJ3940-000](#) [SB007-03C-TB-E](#) [NRVBB20100CTT4G](#) [NRVBM120LT1G](#)
[NTSB30U100CT-1G](#) [CRG04\(T5L,TEMQ\)](#) [ACDBA1100LR-HF](#) [ACDBA1200-HF](#) [ACDBA240-HF](#) [ACDBA3100-HF](#) [CDBQC0530L-HF](#)
[ACDBA260LR-HF](#) [ACDBA1100-HF](#) [10BQ015-M3/5BT](#) [NRVBM120ET1G](#) [VSSB410S-M3/5BT](#) [1N5819T-G](#) [PDS1040Q-13](#) [B160BQ-13-F](#)
[SDM05U20CSP-7](#) [BAS 70-07 E6433](#) [B140S1F-7](#) [HSM560Je3/TR13](#) [DDB2265-000](#) [ZHCS506QTA](#) [HSM190Je3/TR13](#) [B330AF-13](#)
[ACDBUC0230-HF](#) [SDM1U100S1F-7](#) [MBR10200CTF-G1](#) [CDLL5712](#) [DMF2822-000](#)