

FEATURES

EASY TO USE

Pin-Strappable Gains of 10 and 100

All Errors Specified for Total System Performance
Higher Performance than Discrete In Amp Designs
Available in 8-Lead DIP and SOIC

Low Power, 1.3 mA Max Supply Current
Wide Power Supply Range (± 2.3 V to ± 18 V)

EXCELLENT DC PERFORMANCE

0.15% Max, Total Gain Error
 ± 5 ppm/ $^{\circ}$ C, Total Gain Drift
125 μ V Max, Total Offset Voltage
1.0 μ V/ $^{\circ}$ C Max, Offset Voltage Drift

LOW NOISE

9 nV/ $\sqrt{\text{Hz}}$, @ 1 kHz, Input Voltage Noise
0.28 μ V p-p Noise (0.1 Hz to 10 Hz)

EXCELLENT AC SPECIFICATIONS

800 kHz Bandwidth (G = 10), 200 kHz (G = 100)
12 μ s Settling Time to 0.01%

APPLICATIONS

Weigh Scales
Transducer Interface and Data Acquisition Systems
Industrial Process Controls
Battery-Powered and Portable Equipment

PRODUCT DESCRIPTION

The AD621 is an easy to use, low cost, low power, high accuracy instrumentation amplifier that is ideally suited for a wide range of applications. Its unique combination of high performance, small size and low power, outperforms discrete in amp implementations. High functionality, low gain errors, and low

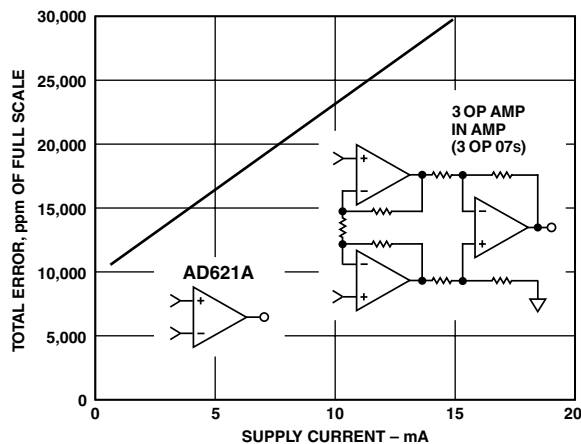


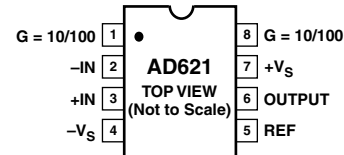
Figure 1. Three Op Amp IA Designs vs. AD621

REV. B

Information furnished by Analog Devices is believed to be accurate and reliable. However, no responsibility is assumed by Analog Devices for its use, nor for any infringements of patents or other rights of third parties which may result from its use. No license is granted by implication or otherwise under any patent or patent rights of Analog Devices.

CONNECTION DIAGRAM

8-Lead Plastic Mini-DIP (N), Cerdip (Q)
and SOIC (R) Packages



gain drift errors are achieved by the use of internal gain setting resistors. Fixed gains of 10 and 100 can easily be set via external pin strapping. The AD621 is fully specified as a total system, therefore, simplifying the design process.

For portable or remote applications, where power dissipation, size, and weight are critical, the AD621 features a very low supply current of 1.3 mA max and is packaged in a compact 8-lead SOIC, 8-lead plastic DIP or 8-lead cerdip. The AD621 also excels in applications requiring high total accuracy, such as precision data acquisition systems used in weigh scales and transducer interface circuits. Low maximum error specifications including nonlinearity of 10 ppm, gain drift of 5 ppm/ $^{\circ}$ C, 50 μ V offset voltage, and 0.6 μ V/ $^{\circ}$ C offset drift ("B" grade), make possible total system performance at a lower cost than has been previously achieved with discrete designs or with other monolithic instrumentation amplifiers.

When operating from high source impedances, as in ECG and blood pressure monitors, the AD621 features the ideal combination of low noise and low input bias currents. Voltage noise is specified as 9 nV/ $\sqrt{\text{Hz}}$ at 1 kHz and 0.28 μ V p-p from 0.1 Hz to 10 Hz. Input current noise is also extremely low at 0.1 pA/ $\sqrt{\text{Hz}}$. The AD621 outperforms FET input devices with an input bias current specification of 1.5 nA max over the full industrial temperature range.

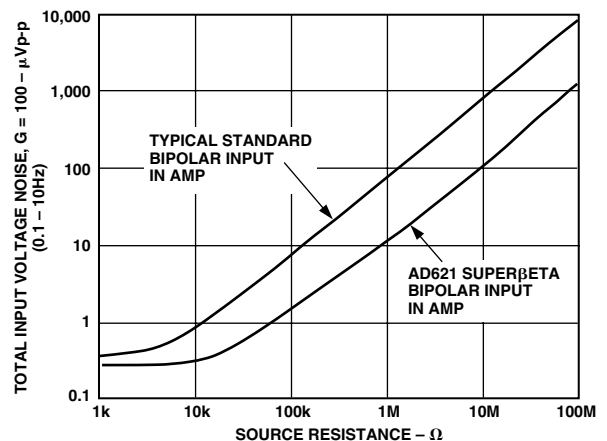


Figure 2. Total Voltage Noise vs. Source Resistance

AD621—SPECIFICATIONS

Gain = 10 (Typical @ 25°C, $V_S = \pm 15$ V, and $R_L = 2$ k Ω , unless otherwise noted.)

| Model | Conditions | AD621A | | | AD621B | | | AD621S ¹ | | | Unit |
|--|---|--------------|----------------|--------------|--------------|----------------|--------------|---------------------|----------------|--------------|------------------------|
| | | Min | Typ | Max | Min | Typ | Max | Min | Typ | Max | |
| GAIN | | | | | | | | | | | |
| Gain Error | $V_{OUT} = \pm 10$ V | | | 0.15 | | | 0.05 | | | 0.15 | % |
| Nonlinearity, $V_{OUT} = -10$ V to +10 V | $R_L = 2$ k Ω | | 2 | 10 | | 2 | 10 | | 2 | 10 | ppm of FS |
| Gain vs. Temperature | | | -1.5 | ± 5 | | -1.5 | ± 5 | | -1 | ± 5 | ppm/°C |
| TOTAL VOLTAGE OFFSET | | | | | | | | | | | |
| Offset (RTI) | $V_S = \pm 15$ V | | 75 | 250 | | 50 | 125 | | 75 | 250 | μ V |
| Over Temperature | $V_S = \pm 5$ V to ± 15 V | | | 400 | | | 215 | | | 500 | μ V |
| Average TC | $V_S = \pm 5$ V to ± 15 V | | 1.0 | 2.5 | | 0.6 | 1.5 | | 1.0 | 2.5 | μ V/°C |
| Offset Referred to the Input vs. Supply (PSR) ² | $V_S = \pm 2.3$ V to ± 18 V | 95 | 120 | | 100 | 120 | | 95 | 120 | | dB |
| Total NOISE | | | | | | | | | | | |
| Voltage Noise (RTI) | 1 kHz | | 13 | 17 | | 13 | 17 | | 13 | 17 | nV/ $\sqrt{\text{Hz}}$ |
| RTI | 0.1 Hz to 10 Hz | | 0.55 | | | 0.55 | 0.8 | | 0.55 | 0.8 | μ V p-p |
| Current Noise | $f = 1$ kHz | | 100 | | | 100 | | | 100 | | fA/ $\sqrt{\text{Hz}}$ |
| | 0.1 Hz–10 Hz | | 10 | | | 10 | | | 10 | | pA p-p |
| INPUT CURRENT | | | | | | | | | | | |
| Input Bias Current | $V_S = \pm 15$ V | | 0.5 | 2.0 | | 0.5 | 1.0 | | 0.5 | 2 | nA |
| Over Temperature | | | | 2.5 | | | 1.5 | | | 4 | nA |
| Average TC | | | 3.0 | | | 3.0 | | | 8.0 | | pA/°C |
| Input Offset Current | | | 0.3 | 1.0 | | 0.3 | 0.5 | | 0.3 | 1.0 | nA |
| Over Temperature | | | | 1.5 | | | 0.75 | | | 2.0 | nA |
| Average TC | | | 1.5 | | | 1.5 | | | 8.0 | | pA/°C |
| INPUT | | | | | | | | | | | |
| Input Impedance | | | | | | | | | | | |
| Differential | | | 10 2 | | | 10 2 | | | 10 2 | | G Ω pF |
| Common-Mode | | | 10 2 | | | 10 2 | | | 10 2 | | G Ω pF |
| Input Voltage Range ³ | $V_S = \pm 2.3$ V to ± 5 V | $-V_S + 1.9$ | | $+V_S - 1.2$ | $-V_S + 1.9$ | | $+V_S - 1.2$ | $-V_S + 1.9$ | | $+V_S - 1.2$ | V |
| Over Temperature | | $-V_S + 2.1$ | | $+V_S - 1.3$ | $-V_S + 2.1$ | | $+V_S - 1.3$ | $-V_S + 2.1$ | | $+V_S - 1.3$ | V |
| | $V_S = \pm 5$ V to ± 18 V | $-V_S + 1.9$ | | $+V_S - 1.4$ | $-V_S + 1.9$ | | $+V_S - 1.4$ | $-V_S + 1.9$ | | $+V_S - 1.4$ | V |
| Over Temperature | | $-V_S + 2.1$ | | $+V_S - 1.4$ | $-V_S + 2.1$ | | $+V_S - 1.4$ | $-V_S + 2.3$ | | $+V_S - 1.4$ | V |
| Common-Mode Rejection Ratio DC to 60 Hz with 1 k Ω Source Imbalance | $V_{CM} = 0$ V to ± 10 V | 93 | 110 | | 100 | 110 | | 93 | 110 | | dB |
| OUTPUT | | | | | | | | | | | |
| Output Swing | $R_L = 10$ k Ω , $V_S = \pm 2.3$ V to ± 5 V | $-V_S + 1.1$ | | $+V_S - 1.2$ | $-V_S + 1.1$ | | $+V_S - 1.2$ | $-V_S + 1.1$ | | $+V_S - 1.2$ | V |
| Over Temperature | | $-V_S + 1.4$ | | $+V_S - 1.3$ | $-V_S + 1.4$ | | $+V_S - 1.3$ | $-V_S + 1.6$ | | $+V_S - 1.3$ | V |
| | $V_S = \pm 5$ V to ± 18 V | $-V_S + 1.2$ | | $+V_S - 1.4$ | $-V_S + 1.2$ | | $+V_S - 1.4$ | $-V_S + 1.2$ | | $+V_S - 1.4$ | V |
| Over Temperature | | $-V_S + 1.6$ | | $+V_S - 1.5$ | $-V_S + 1.6$ | | $+V_S - 1.5$ | $-V_S + 2.3$ | | $+V_S - 1.5$ | V |
| Short Current Circuit | | | ± 18 | | | ± 18 | | | ± 18 | | mA |
| DYNAMIC RESPONSE | | | | | | | | | | | |
| Small Signal, -3 dB Bandwidth | | | 800 | | | 800 | | | 800 | | kHz |
| Slew Rate | | 0.75 | 1.2 | | 0.75 | 1.2 | | 0.75 | 1.2 | | V/ μ s |
| Settling Time to 0.01% | 10 V Step | | 12 | | | 12 | | | 12 | | μ s |
| REFERENCE INPUT | | | | | | | | | | | |
| R_{IN} | | | 20 | | | 20 | | | 20 | | k Ω |
| I_{IN} | $V_{IN+}, V_{REF} = 0$ | | 50 | 60 | | 50 | 60 | | +50 | +60 | μ A |
| Voltage Range | | $-V_S + 1.6$ | | $+V_S - 1.6$ | $-V_S + 1.6$ | | $+V_S - 1.6$ | $V_S + 1.6$ | | $+V_S - 1.6$ | V |
| Gain to Output | | | 1 ± 0.0001 | | | 1 ± 0.0001 | | | 1 ± 0.0001 | | |
| POWER SUPPLY | | | | | | | | | | | |
| Operating Range | | ± 2.3 | | ± 18 | ± 2.3 | | ± 18 | ± 2.3 | | ± 18 | V |
| Quiescent Current | $V_S = \pm 2.3$ V to ± 18 V | | 0.9 | 1.3 | | 0.9 | 1.3 | | 0.9 | 1.3 | mA |
| Over Temperature | | | 1.1 | 1.6 | | 1.1 | 1.6 | | 1.1 | 1.6 | mA |
| TEMPERATURE RANGE | | | | | | | | | | | |
| For Specified Performance | | | -40 to +85 | | -40 to +85 | | | -55 to +125 | | | °C |

NOTES

¹See Analog Devices' military data sheet for 883B tested specifications.

²This is defined as the supply range over which PSRR is defined.

³Input Voltage Range = CMV + (Gain \times V_{DIFF}).

Specifications subject to change without notice.

Gain = 100 (Typical @ 25°C, $V_S = \pm 15$ V, and $R_L = 2$ k Ω , unless otherwise noted.)

| Model | Conditions | AD621A | | | AD621B | | | AD621S ¹ | | | Unit |
|--|---|---------------|----------------|---------------|---------------|----------------|---------------|---------------------|----------------|---------------|------------------------|
| | | Min | Typ | Max | Min | Typ | Max | Min | Typ | Max | |
| GAIN | | | | | | | | | | | |
| Gain Error | $V_{OUT} = \pm 10$ V | | | 0.15 | | | 0.05 | | | 0.15 | % |
| Nonlinearity, $V_{OUT} = -10$ V to $+10$ V | $R_L = 2$ k Ω | | 2 | 10 | | 2 | 10 | | 2 | 10 | ppm of FS |
| Gain vs. Temperature | | | -1 | ± 5 | | -1 | ± 5 | | -1 | ± 5 | ppm/ $^{\circ}$ C |
| TOTAL VOLTAGE OFFSET | | | | | | | | | | | |
| Offset (RTI) | $V_S = \pm 15$ V | | 35 | 125 | | 25 | 50 | | 35 | 125 | μ V |
| Over Temperature | $V_S = \pm 5$ V to ± 15 V | | | 185 | | | 215 | | | 225 | μ V |
| Average TC | $V_S = \pm 5$ V to ± 15 V | | 0.3 | 1.0 | | 0.1 | 0.6 | | 0.3 | 1.0 | μ V/ $^{\circ}$ C |
| Offset Referred to the Input vs. Supply (PSR) ² | $V_S = \pm 2.3$ V to ± 18 V | 110 | 140 | | 120 | 140 | | 110 | 140 | | dB |
| Total NOISE | | | | | | | | | | | |
| Voltage Noise (RTI) | 1 kHz | | 9 | 13 | | 9 | 13 | | 9 | 13 | nV/ $\sqrt{\text{Hz}}$ |
| RTI | 0.1 Hz to 10 Hz | | 0.28 | | | 0.28 | 0.4 | | 0.28 | 0.4 | μ V p-p |
| Current Noise | f = 1 kHz | | 100 | | | 100 | | | 100 | | fA/ $\sqrt{\text{Hz}}$ |
| | 0.1 Hz–10 Hz | | 10 | | | 10 | | | 10 | | pA p-p |
| INPUT CURRENT | | | | | | | | | | | |
| Input Bias Current | $V_S = \pm 15$ V | | 0.5 | 2.0 | | 0.5 | 1.0 | | 0.5 | 2 | nA |
| Over Temperature | | | | 2.5 | | | 1.5 | | | 4 | nA |
| Average TC | | | 3.0 | | | 3.0 | | | 8.0 | | pA/ $^{\circ}$ C |
| Input Offset Current | | | 0.3 | 1.0 | | 0.3 | 0.5 | | 0.3 | 1.0 | nA |
| Over Temperature | | | | 1.5 | | | 0.75 | | | 2.0 | nA |
| Average TC | | | 1.5 | | | 1.5 | | | 8.0 | | pA/ $^{\circ}$ C |
| INPUT | | | | | | | | | | | |
| Input Impedance | | | | | | | | | | | |
| Differential | | | 10 2 | | | 10 2 | | | 10 2 | | G Ω pF |
| Common-Mode | | | 10 2 | | | 10 2 | | | 10 2 | | G Ω pF |
| Input Voltage Range ³ | $V_S = \pm 2.3$ V to ± 5 V | - $V_S + 1.9$ | | + $V_S - 1.2$ | - $V_S + 1.9$ | | + $V_S - 1.2$ | - $V_S + 1.9$ | | + $V_S - 1.2$ | V |
| Over Temperature | | - $V_S + 2.1$ | | + $V_S - 1.3$ | - $V_S + 2.1$ | | + $V_S - 1.3$ | - $V_S + 2.1$ | | + $V_S - 1.3$ | V |
| | $V_S = \pm 5$ V to ± 18 V | - $V_S + 1.9$ | | + $V_S - 1.4$ | - $V_S + 1.9$ | | + $V_S - 1.4$ | - $V_S + 1.9$ | | + $V_S - 1.4$ | V |
| Over Temperature | | - $V_S + 2.1$ | | + $V_S - 1.4$ | - $V_S + 2.1$ | | + $V_S - 1.4$ | - $V_S + 2.3$ | | + $V_S - 1.4$ | V |
| Common-Mode Rejection Ratio DC to 60 Hz with 1 k Ω Source Imbalance | $V_{CM} = 0$ V to ± 10 V | 110 | 130 | | 120 | 130 | | 110 | 130 | | dB |
| OUTPUT | | | | | | | | | | | |
| Output Swing | $R_L = 10$ k Ω , $V_S = \pm 2.3$ V to ± 5 V | - $V_S + 1.1$ | | + $V_S - 1.2$ | - $V_S + 1.1$ | | + $V_S - 1.2$ | - $V_S + 1.1$ | | + $V_S - 1.2$ | V |
| Over Temperature | | - $V_S + 1.4$ | | + $V_S - 1.3$ | - $V_S + 1.4$ | | + $V_S - 1.3$ | - $V_S + 1.6$ | | + $V_S - 1.3$ | V |
| | $V_S = \pm 5$ V to ± 18 V | - $V_S + 1.2$ | | + $V_S - 1.4$ | - $V_S + 1.2$ | | + $V_S - 1.4$ | - $V_S + 1.2$ | | + $V_S - 1.4$ | V |
| Over Temperature | | - $V_S + 1.6$ | | + $V_S - 1.5$ | - $V_S + 1.6$ | | + $V_S - 1.5$ | - $V_S + 2.3$ | | + $V_S - 1.5$ | V |
| Short Current Circuit | | ± 18 | | | ± 18 | | | ± 18 | | | mA |
| DYNAMIC RESPONSE | | | | | | | | | | | |
| Small Signal, -3 dB Bandwidth | | | 200 | | | 200 | | | 200 | | kHz |
| Slew Rate | | 0.75 | 1.2 | | 0.75 | 1.2 | | 0.75 | 1.2 | | V/ μ s |
| Settling Time to 0.01% | 10 V Step | | 12 | | | 12 | | | 12 | | μ s |
| REFERENCE INPUT | | | | | | | | | | | |
| R_{IN} | | | 20 | | | 20 | | | 20 | | k Ω |
| I_{IN} | $V_{IN} +, V_{REF} = 0$ | | 50 | 60 | | 50 | 60 | | 50 | 60 | μ A |
| Voltage Range | | - $V_S + 1.6$ | | + $V_S - 1.6$ | - $V_S + 1.6$ | | + $V_S - 1.6$ | $V_S + 1.6$ | | + $V_S - 1.6$ | V |
| Gain to Output | | | 1 ± 0.0001 | | | 1 ± 0.0001 | | | 1 ± 0.0001 | | |
| POWER SUPPLY | | | | | | | | | | | |
| Operating Range | | ± 2.3 | | ± 18 | ± 2.3 | | ± 18 | ± 2.3 | | ± 18 | V |
| Quiescent Current | $V_S = \pm 2.3$ V to ± 18 V | | 0.9 | 1.3 | | 0.9 | 1.3 | | 0.9 | 1.3 | mA |
| Over Temperature | | | 1.1 | 1.6 | | 1.1 | 1.6 | | 1.1 | 1.6 | mA |
| TEMPERATURE RANGE | | | | | | | | | | | |
| For Specified Performance | | | -40 to +85 | | | -40 to +85 | | | -55 to +125 | | $^{\circ}$ C |

NOTES

¹See Analog Devices' military data sheet for 883B tested specifications.

²This is defined as the supply range over which PSEE is defined.

³Input Voltage Range = CMV + (Gain \times V_{DIFF}).

Specifications subject to change without notice.

AD621

ABSOLUTE MAXIMUM RATINGS¹

| | |
|---|-----------------|
| Supply Voltage | ±18 V |
| Internal Power Dissipation ² | 650 mW |
| Input Voltage (Common Mode) | ±V _S |
| Differential Input Voltage | ±25 V |
| Output Short Circuit Duration | Indefinite |
| Storage Temperature Range (Q) | -65°C to +150°C |
| Storage Temperature Range (N, R) | -65°C to +125°C |
| Operating Temperature Range | |
| AD621 (A, B) | -40°C to +85°C |
| AD621 (S) | -55°C to +125°C |
| Lead Temperature Range | |
| (Soldering 10 seconds) | 300°C |

NOTES

¹Stresses above those listed under Absolute Maximum Ratings may cause permanent damage to the device. This is a stress rating only; functional operation of the device at these or any other conditions above those indicated in the operational section of this specification is not implied. Exposure to absolute maximum rating conditions for extended periods may affect device reliability.

²Specification is for device in free air:

8-Lead Plastic Package: $\theta_{JA} = 95^{\circ}\text{C/W}$

8-Lead Cerdip Package: $\theta_{JA} = 110^{\circ}\text{C/W}$

8-Lead SOIC Package: $\theta_{JA} = 155^{\circ}\text{C/W}$

ESD SUSCEPTIBILITY

ESD (electrostatic discharge) sensitive device. Electrostatic charges as high as 4000 volts, which readily accumulate on the human body and on test equipment, can discharge without detection. Although the AD621 features proprietary ESD protection circuitry, permanent damage may still occur on these devices if they are subjected to high energy electrostatic discharges. Therefore, proper ESD precautions are recommended to avoid any performance degradation or loss of functionality.

ORDERING GUIDE

| Model | Temperature Range | Package Description | Package Option ¹ |
|---------------------------|-------------------|---------------------|-----------------------------|
| AD621AN | -40°C to +85°C | 8-Lead Plastic DIP | N-8 |
| AD621BN | -40°C to +85°C | 8-Lead Plastic DIP | N-8 |
| AD621AR | -40°C to +85°C | 8-Lead Plastic SOIC | R-8 |
| AD621BR | -40°C to +85°C | 8-Lead Plastic SOIC | R-8 |
| AD621SQ/883B ² | -55°C to +125°C | 8-Lead Cerdip | Q-8 |
| AD621ACHIPS | -40°C to +85°C | Die | |

NOTES

¹N = Plastic DIP; Q = Cerdip; R = SOIC.

²See Analog Devices' military data sheet for 883B specifications.

METALIZATION PHOTOGRAPH

Dimensions shown in inches and (mm).

Contact factory for latest dimensions.



Typical Performance Characteristics—AD621



TPC 1. Typical Distribution of V_{OS} , Gain = 10



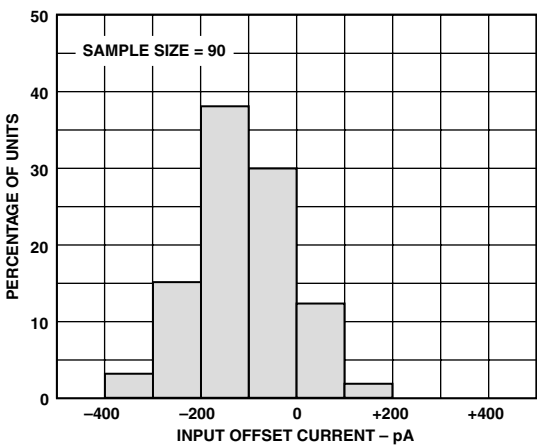
TPC 4. Typical Distribution of Input Bias Current



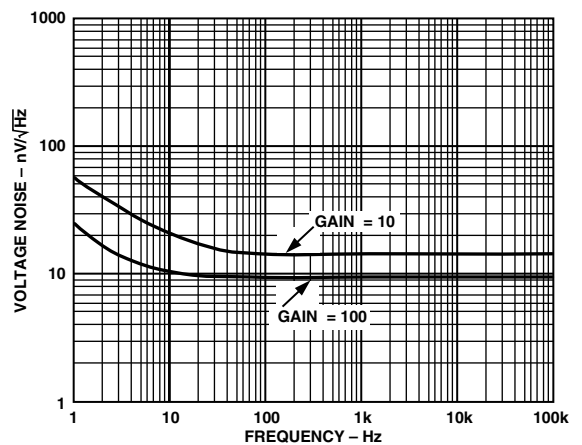
TPC 2. Typical Distribution of V_{OS} , Gain = 100



TPC 5. Change in Input Offset Voltage vs. Warm-Up Time



TPC 3. Typical Distribution of Input Offset Current



TPC 6. Voltage Noise Spectral Density

AD621



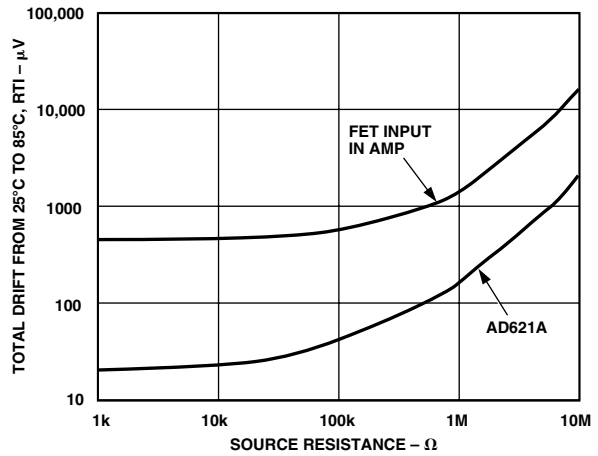
TPC 7. Current Noise Spectral Density vs. Frequency



TPC 9. 0.1 Hz to 10 Hz Current Noise, 5 pA per Vertical Div, 1 Second per Horizontal Div



TPC 8a. 0.1 Hz to 10 Hz RTI Voltage Noise, Gain = 10



TPC 10. Total Drift vs. Source Resistance



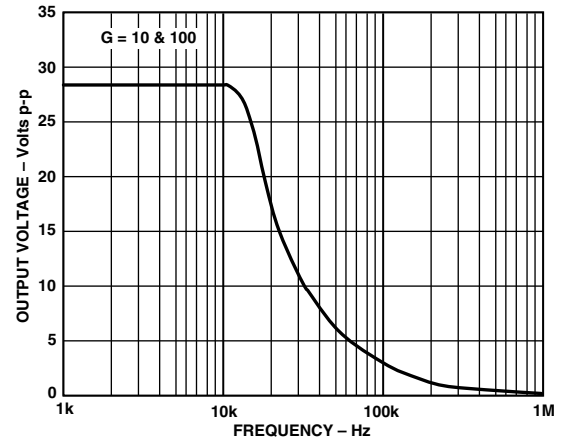
TPC 8b. 0.1 Hz to 10 Hz RTI Voltage Noise, G = 100



TPC 11. CMR vs. Frequency, RTI, for a Zero to 1 kΩ Source Imbalance



TPC 12. Positive PSR vs. Frequency



TPC 15. Large Signal Frequency Response



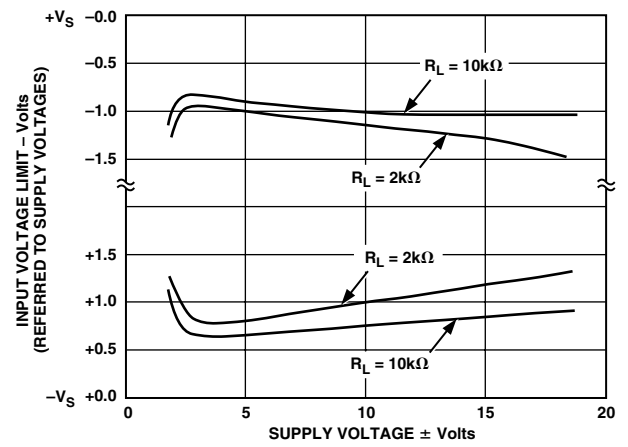
TPC 13. Negative PSR vs. Frequency



TPC 16. Input Voltage Range vs. Supply Voltage



TPC 14. Closed-Loop Gain vs. Frequency



TPC 17. Output Voltage Swing vs. Supply Voltage, G = 10

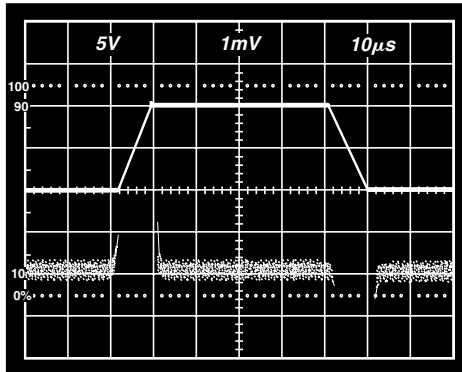
AD621



TPC 18. Output Voltage Swing vs. Resistive Load



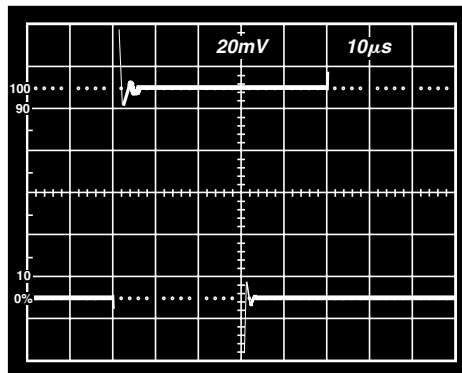
TPC 21. Large Signal Pulse Response and Settling Time, $G = 100$ ($0.5 \text{ mV} = 0.1\%$), $R_L = 2 \text{ k}\Omega$, $C_L = 100 \text{ pF}$



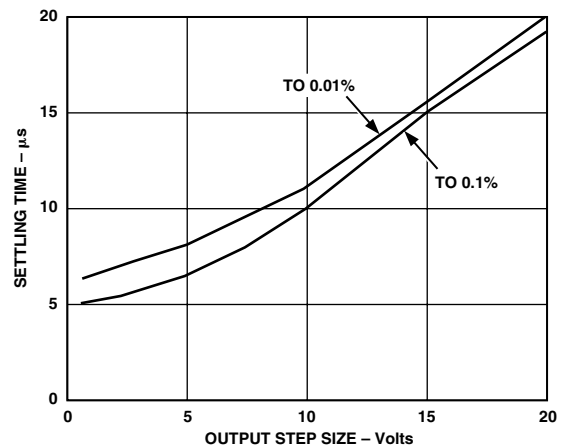
TPC 19. Large Signal Pulse Response and Settling Time Gain, $G = 10$ ($0.5 \text{ mV} = 0.01\%$), $R_L = 1 \text{ k}\Omega$, $C_L = 100 \text{ pF}$



TPC 22. Small Signal Pulse Response, $G = 100$, $R_L = 2 \text{ k}\Omega$, $C_L = 100 \text{ pF}$



TPC 20. Small Signal Pulse Response, $G = 10$, $R_L = 1 \text{ k}\Omega$, $C_L = 100 \text{ pF}$



TPC 23. Settling Time vs. Step Size, $G = 10$



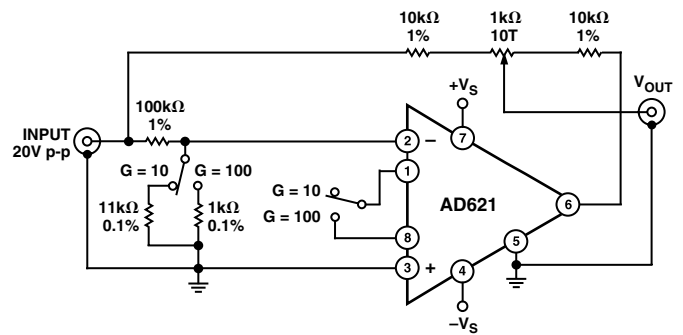
TPC 24. Settling Time vs. Step Size, Gain = 100



TPC 27. Gain Nonlinearity, $G = 10$, $R_L = 10\text{ k}\Omega$, Vertical Scale: $100\ \mu\text{V}/\text{Div} = 100\text{ ppm}/\text{Div}$, Horizontal Scale: $2\text{ Volts}/\text{Div}$



TPC 25. Input Bias Current vs. Temperature



TPC 28. Settling Time Test Circuit



TPC 26. Gain Nonlinearity, $G = 100$, $R_L = 10\text{ k}\Omega$, $C_L = 0\text{ pF}$. Vertical Scale: $100\ \mu\text{V}/\text{Div} = 100\text{ ppm}/\text{Div}$ Horizontal Scale: $2\text{ Volts}/\text{Div}$

AD621



Figure 3. Simplified Schematic of AD621

THEORY OF OPERATION

The AD621 is a monolithic instrumentation amplifier based on a modification of the classic three op amp circuit. Careful layout of the chip, with particular attention to thermal symmetry builds in tight matching and tracking of critical components, thus preserving the high level of performance inherent in this circuit, at a low price.

On chip gain resistors are pretrimmed for gains of 10 and 100. The AD621 is preset to a gain of 10. A single external jumper (between Pins 1 and 8) is all that is needed to select a gain of 100. Special design techniques assure a low gain TC of 5 ppm/°C max, even at a gain of 100.

Figure 3 is a simplified schematic of the AD621. The input transistors Q1 and Q2 provide a single differential-pair bipolar input for high precision, yet offer 10× lower Input Bias Current, thanks to Superbeta processing. Feedback through the Q1-A1-R1 loop and the Q2-A2-R2 loop maintains constant collector current of the input devices Q1 and Q2, thereby impressing the input voltage across the gain-setting resistor, RG, which equals

R5 at a gain of 10 or the parallel combination of R5 and R6 at a gain of 100.

This creates a differential gain from the inputs to the A1/A2 outputs given by $G = (R1 + R2) / R_G + 1$. The unity-gain subtractor A3 removes any common-mode signal, yielding a single-ended output referred to the REF pin potential.

The value of RG also determines the transconductance of the preamp stage. As RG is reduced for larger gains, the transconductance increases asymptotically to that of the input transistors. This has three important advantages: (a) Open-loop gain is boosted for increasing programmed gain, thus reducing gain-related errors. (b) The gain-bandwidth product (determined by C1, C2 and the preamp transconductance) increases with programmed gain, thus optimizing frequency response. (c) The input voltage noise is reduced to a value of 9 nV/√Hz, determined mainly by the collector current and base resistance of the input devices.

Make vs. Buy: A Typical Bridge Application Error Budget

The AD621 offers improved performance over discrete three op amp IA designs, along with smaller size, fewer components and 10 times lower supply current. In the typical application, shown in Figure 4, a gain of 100 is required to amplify a bridge output of 20 mV full scale over the industrial temperature range of -40°C to +85°C. The error budget table below shows how to calculate the effect various error sources have on circuit accuracy.

Regardless of the system it is being used in, the AD621 provides greater accuracy, and at low power and price. In simple systems, absolute accuracy and drift errors are by far the most significant contributors to error. In more complex systems with an intelligent processor, an autogain/autozero cycle will remove all absolute accuracy and drift errors leaving only the resolution errors of gain nonlinearity and noise, thus allowing full 14-bit accuracy.

Note that for the discrete circuit, the OP07 specifications for input voltage offset and noise have been multiplied by 2. This is because a three op amp type in amp has two op amps at its inputs, both contributing to the overall input error.

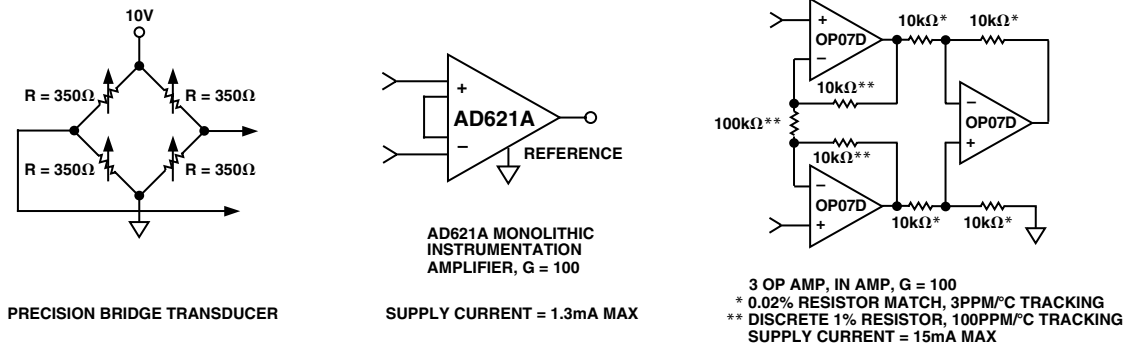


Figure 4. Make vs. Buy

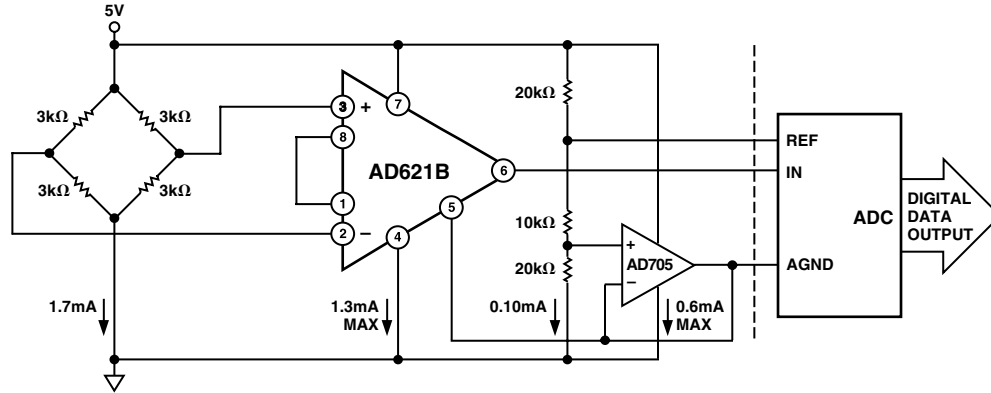


Figure 5. A Pressure Monitor Circuit which Operates on a 5 V Power Supply

Pressure Measurement

Although useful in many bridge applications such as weigh-scales, the AD621 is especially suited for higher resistance pressure sensors powered at lower voltages where small size and low power become more even significant.

Figure 5 shows a 3 kΩ pressure transducer bridge powered from 5 V. In such a circuit, the bridge consumes only 1.7 mA. Adding the AD621 and a buffered voltage divider allows the signal to be conditioned for only 3.8 mA of total supply current.

Small size and low cost make the AD621 especially attractive for voltage output pressure transducers. Since it delivers low noise and drift, it will also serve applications such as diagnostic non-invasion blood pressure measurement.

Wide Dynamic Range Gain Block Suppresses Large Common-Mode and Offset Signals

The AD621 is especially useful in wide dynamic range applications such as those requiring the amplification of signals in the

presence of large, unwanted common-mode signals or offsets. Many monolithic in amps achieve low total input drift and noise errors only at relatively high gains (~100). In contrast the AD621's low output errors allow such performance at a gain of 10, thus allowing larger input signals and therefore greater dynamic range. The circuit of Figure 6 (± 15 V supply, $G = 10$) has only $2.5 \mu\text{V}/^\circ\text{C}$ max. V_{OS} drift and $0.55 \mu\text{V}$ p-p typical 0.1 Hz to 10 Hz noise, yet will amplify a ± 0.5 V differential signal while suppressing a ± 10 V common-mode signal, or it will amplify a ± 1.25 V differential signal while suppressing a 1 V offset by use of the DAC driving the reference pin of the AD621. An added benefit, the offsetting DAC connected to the reference pin allows removal of a dc signal without the associated time-constant of ac coupling. Note the representations of a differential and common-mode signal shown in Figure 6 such that a single-ended (or normal mode) signal of 1 V would be composed of a 0.5 V common-mode component and a 1 V differential component.

Table I. Make vs. Buy Error Budget

| Error Source | AD621 Circuit Calculation | Discrete Circuit Calculation | Error, ppm of Full Scale | |
|---|---|---|--------------------------|----------|
| | | | AD621 | Discrete |
| ABSOLUTE ACCURACY at $T_A = +25^\circ\text{C}$ | | | | |
| Input Offset Voltage, μV | 125 $\mu\text{V}/20$ mV | $(150 \mu\text{V} \times 2/20)$ mV | 6,250 | 15,000 |
| Output Offset Voltage, μV | N/A | $((150 \mu\text{V} \times 2)/100)/20$ mV | N/A | 150 |
| Input Offset Current, nA | $2 \text{ nA} \times 350 \Omega/20$ mV | $(6 \text{ nA} \times 350 \Omega)/20$ mV | 18 | 53 |
| CMR, dB | $110 \text{ dB} \rightarrow 3.16 \text{ ppm}, \times 5 \text{ V}/20 \text{ mV}$ | $(0.02\% \text{ Match} \times 5 \text{ V})/20 \text{ mV}$ | 791 | 4,988 |
| DRIFT TO $+85^\circ\text{C}$ | | | | |
| Gain Drift, ppm/ $^\circ\text{C}$ | $5 \text{ ppm} \times 60^\circ\text{C}$ | $100 \text{ ppm}/^\circ\text{C} \text{ Track} \times 60^\circ\text{C}$ | 300 | 600 |
| Input Offset Voltage Drift, $\mu\text{V}/^\circ\text{C}$ | $1 \mu\text{V}/^\circ\text{C} \times 60^\circ\text{C}/20$ mV | $(2.5 \mu\text{V}/^\circ\text{C} \times 2 \times 60^\circ\text{C})/20$ mV | 3,000 | 15,000 |
| Output Offset Voltage Drift, $\mu\text{V}/^\circ\text{C}$ | N/A | $(2.5 \mu\text{V}/^\circ\text{C} \times 2 \times 60^\circ\text{C})/100/20$ mV | N/A | 150 |
| RESOLUTION | | | | |
| Gain Nonlinearity, ppm of Full Scale | 40 ppm | 40 ppm | 40 | 40 |
| Typ 0.1 Hz–10 Hz Voltage Noise, μV p-p | $0.28 \mu\text{V}$ p-p/20 mV | $(0.38 \mu\text{V} \text{ p-p} \times \sqrt{2})/20$ mV | 14 | 27 |
| Total Resolution Error | | | 54 | 67 |
| Grand Total Error | | | 11,472 | 36,008 |

$G = 100, V_S = \pm 15 \text{ V}$.
(All errors are min/max and referred to input.)

AD621



Figure 6. Suppressing a Large Common-Mode or Offset Voltage in Order to Measure a Small Differential Signal ($V_S = \pm 15\text{ V}$)

The AD621, as well as many other monolithic instrumentation amplifiers, is based on the “three op amp” in amp circuit (Figure 7) amplifier. Since the input amplifiers (A1 and A2) have a common-mode gain of unity and a differential gain equal to the set gain of the overall in amp, the voltages V_1 and V_2 are defined by the equations

$$V_1 = V_{CM} + G \times V_{DIFF}/2$$

$$V_2 = V_{CM} - G \times V_{DIFF}/2$$

The common-mode voltage will drive the outputs of amplifiers A1 and A2 to the differential-signal voltage, multiplied by the gain, spreads them apart. For a 10 V common-mode 0.1 V differential input, V_1 would be at 10.5 V and V_2 at 9.5 V.



Figure 7. Typical Three Op Amp Instrumentation Amplifier, Differential Gain = 10

The AD621’s input amplifiers can provide output voltage within 2.5 V of the supplies. To avoid saturation of the input amplifier the input voltage must therefore obey the equations:

$$V_{CM} + G \times V_{DIFF}/2 \leq (\text{Upper Supply} - 2.5\text{ V})$$

$$V_{CM} - G \times V_{DIFF}/2 \geq (\text{Lower Supply} + 2.5\text{ V})$$

Figure 8 shows the trade-off between common-mode and differential-mode input for $\pm 15\text{ V}$ supplies and $G = 10$.

By cascading with use of the optional AD621, the circuit of Figure 6 will provide $\pm 1\text{ V}$ of zero suppression at gains of 10 and 100 (at V_{OUT1} and V_{OUT2} respectively) with maximum TCs of $\pm 4\text{ ppm}/^\circ\text{C}$ and $\pm 8\text{ ppm}/^\circ\text{C}$, respectively. Therefore, depending on the magnitude of the differential input signal, either V_{OUT1} or V_{OUT2} may be used as the output.



Figure 8. Trade-Off Between V_{CM} and V_{DIFF} Range ($V_S = \pm 15\text{ V}$, $G = 10$), for Reference Pin at Ground

Precision V-I Converter

The AD621 along with another op amp and two resistors make a precision current source (Figure 9). The op amp buffers the reference terminal to maintain good CMR. The output voltage V_X of the AD621 appears across R_1 which converts it to a current. This current less only the input bias current of the op amp then flows out to the load.



Figure 9. Precision Voltage to Current Converter (Operates on 1.8 mA, ± 3 V)

INPUT AND OUTPUT OFFSET VOLTAGE

The AD621 is fully specified for total input errors at gains of 10 and 100. That is, effects of all error sources within the AD621 are properly included in the guaranteed input error specs, eliminating the need for separate error calculation.

$$\text{Total Error RTI} = \text{Input Error} + (\text{Output Error}/G)$$

$$\text{Total Error RTO} = (\text{Input Error} \times G) + \text{Output Error}$$

REFERENCE TERMINAL

Although usually grounded, the reference terminal may be used to offset the output of the AD621. This is useful when the load is “floating” or does not share a ground with the rest of the system. It also provides a direct means of injecting a precise offset.

Another benefit of having a reference terminal is that it can be quite effective in eliminating ground loops and noise in a circuit or system.

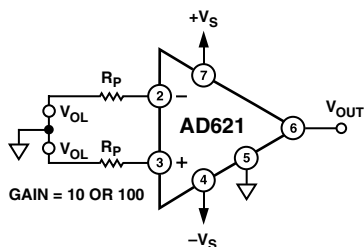


Figure 10. Input Overload Protection

INPUT OVERLOAD CONSIDERATIONS

Failure of a transducer, faults on input lines, or power supply sequencing can subject the inputs of an instrumentation amplifier to voltages well beyond their linear range, or even the supply voltage, so it is essential that the amplifier handle these overloads without being damaged.

The AD621 will safely withstand continuous input overloads of ± 3.0 volts (± 6.0 mA). This is true for gains of 10 and 100, with power on or off.

The inputs of the AD621 are protected by high current capacity dielectrically isolated 400 Ω thin-film resistors R_3 and R_4 (Figure 3) and by diodes which protect the input transistors Q_1 and Q_2 from reverse breakdown. If reverse breakdown occurred, there would be a permanent increase in the amplifier’s input current.

The input overload capability of the AD621 can be easily increased while only slightly degrading the noise, common-mode rejection and offset drift of the device by adding external resistors in series with the amplifier’s inputs as shown in Figure 10.

Table II summarizes the overload voltages and total input noise for a range of range of r values. Note that a 2 k Ω resistor in series with each input will protect the AD621 from a ± 15 volt continuous overload, while only increasing input noise to 13 nV $\sqrt{\text{Hz}}$ —about the same level as would be expected from a typical unprotected 3 op amp in amp.

Table II. Input Overload Protection vs. Value of Resistor R_P

| Value of Resistor R_P | Total Input Noise in nV $\sqrt{\text{Hz}}$ @ 1 kHz | | Maximum Continuous Overload Voltage, V_{OL} In Volts |
|-------------------------|--|---------|--|
| | G = 10 | G = 100 | |
| 0 | 14 | 9 | 3 |
| 499 Ω | 14 | 10 | 6 |
| 1.00 k Ω | 14 | 11 | 9 |
| 2.00 k Ω | 15 | 13 | 15 |
| 3.01 k Ω * | 16 | 14 | 21 |
| 4.99 k Ω * | 17 | 16 | 33 |

*1/4 watt, 1% metal-film resistor. All others are 1/8 watt, 1% RN55 or equivalent.

AD621

Gain Selection

The AD621 has accurate, low temperature coefficient (TC), gains of 10 and 100 available. The gain of the AD621 is nominally set at 10; this is easily changed to a gain of 100 by simply connecting a jumper between Pins 1 and 8.



Figure 11. Programming the AD621 for Gains Between 10 and 100

As shown in Figure 11, the device can be programmed for any gain between 10 and 100 by connecting a single external resistor between Pins 1 and 8. Note that adding the external resistor will degrade both the gain accuracy and gain TC. Since the gain equation of the AD621 yields:

$$G = 1 + \frac{9(R_X + 6,111.111)}{(R_X + 555.555)}$$

This can be solved for the nominal value of external resistor for gains between 10 and 100:

$$R_X = \frac{(G - 1) 555.555 - 55,000}{(10 - G)}$$

Table III gives practical 1% resistor values for several common gains.

Table III. Practical 1% External Resistor Values for Gains Between 10 and 100

| Desired Gain | Recommended 1% Resistor Value | Gain Error | Temperature Coefficient (TC) |
|--------------|-------------------------------|------------|--------------------------------|
| 10 | ∞ (Pins 1 and 8 Open) | * | 5 ppm/°C max |
| 20 | 4.42 kΩ | ±10% | ≈0.4 (50 ppm/°C + Resistor TC) |
| 50 | 698 Ω | ±10% | ≈0.4 (50 ppm/°C + Resistor TC) |
| 100 | 0 (Pins 1 and 8 Shorted) | * | 5 ppm/°C max |

*Factory trimmed—exact value depends on grade.

A High Performance Programmable Gain Amplifier

The excellent performance of the AD621 at a gain of 10 makes it a good choice to team up with the AD526 programmable gain amplifier (PGA) to yield a differential input PGA with gains of 10, 20, 40, 80, 160. As shown in Figure 12, the low offset of the AD621 allows total circuit offset to be trimmed using the offset null of the AD526, with only a negligible increase in total drift error. The total gain TC will be 9 ppm/°C max, with 2 μV/°C typical input offset drift. Bandwidth is 600 kHz to gains of 10 to 80, and 350 kHz at G = 160. Settling time is 13 μs to 0.01% for a 10 V output step for all gains.



Figure 12. A High Performance Programmable Gain Amplifier

COMMON-MODE REJECTION

Instrumentation amplifiers like the AD621 offer high CMR which is a measure of the change in output voltage when both inputs are changed by equal amounts. These specifications are usually given for a full-range input voltage change and a specified source imbalance.

For optimal CMR, the reference terminal should be tied to a low impedance point, and differences in capacitance and resistance should be kept to a minimum between the two inputs. In many applications shielded cables are used to minimize noise, and for best CMR over frequency the shield should be properly driven. Figures 13 and 14 show active data guards that are configured to improve ac common-mode rejections by “bootstrapping” the capacitances of input cable shields, thus minimizing the capacitance mismatch between the inputs.



Figure 13. Differential Shield Driver, G = 10

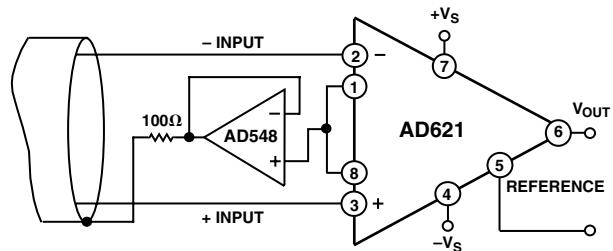


Figure 14. Common-Mode Shield Driver, G = 100

GROUNDING

Since the AD621 output voltage is developed with respect to the potential on the reference terminal, it can solve many grounding problems by simply tying the REF pin to the appropriate “local ground.”

In order to isolate low level analog signals from a noisy digital environment, many data-acquisition components have separate analog and digital ground pins (Figure 15). It would be convenient to use a single ground line; however, current through ground wires and PC runs of the circuit card can cause hundreds of millivolts of error. Therefore, separate ground returns should be provided to minimize the current flow from the sensitive points to the system ground. These ground returns must be tied together at some point, usually best at the ADC package as shown.

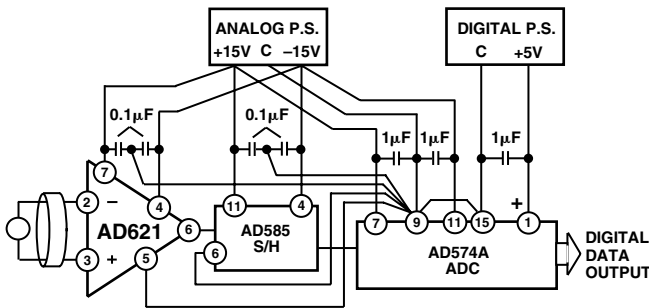


Figure 15. Basic Grounding Practice

GROUND RETURNS FOR INPUT BIAS CURRENTS

Input bias currents are those currents necessary to bias the input transistors of an amplifier. There must be a direct return path for these currents; therefore when amplifying “floating” input sources such as transformers, or ac-coupled sources, there must be a dc path from each input to ground as shown in Figures 16a through 16c. Refer to the *Instrumentation Amplifier Application Guide* (free from Analog Devices) for more information regarding in amp applications.

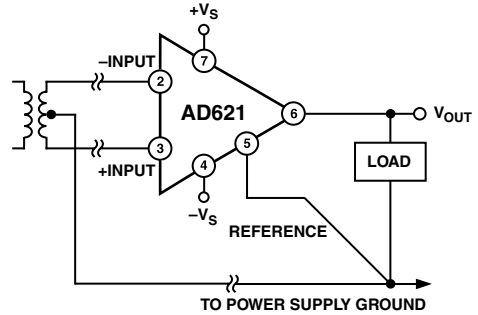


Figure 16a. Ground Returns for Bias Currents when Using Transformer Input Coupling



Figure 16b. Ground Returns for Bias Currents when Using a Thermocouple Input

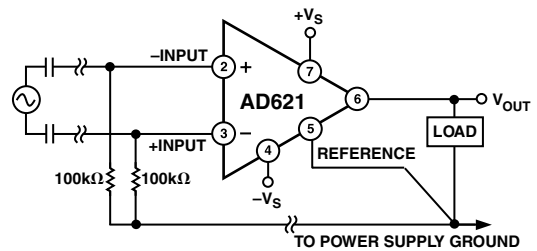
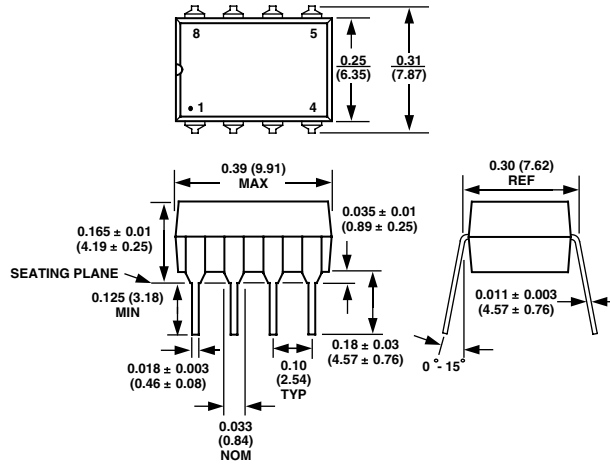


Figure 16c. Ground Returns for Bias Currents when Using AC Input Coupling

OUTLINE DIMENSIONS

Dimensions shown in inches and (mm).

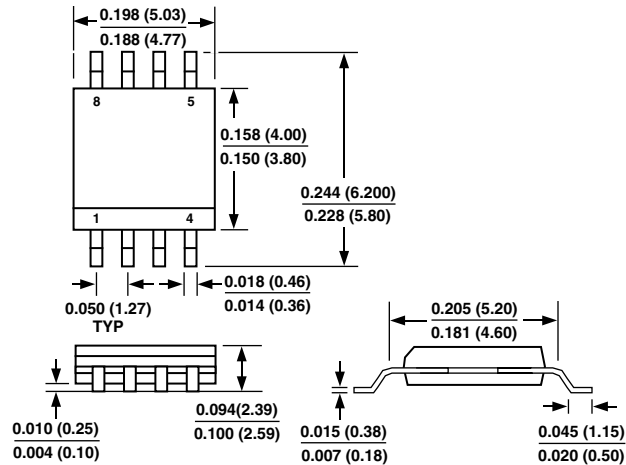
Plastic DIP (N-8) Package



Cerdip (Q-8) Package



SOIC (R-8) Package



X-ON Electronics

Largest Supplier of Electrical and Electronic Components

Click to view similar products for [Instrumentation Amplifiers](#) category:

Click to view products by [Analog Devices](#) manufacturer:

Other Similar products are found below :

[ADA4254RU-EBZ](#) [JM38510/13501BGA](#) [MCP6N16-001E/MF](#) [LT1102IN8#PBF](#) [AD694BRZ-REEL7](#) [LT1101ISW](#) [JM38510/13502BGA](#)
[AD521JDZ](#) [AD521KDZ](#) [AD521LDZ](#) [AD524ADZ](#) [AD524BDZ](#) [AD524CDZ](#) [AD620ANZ](#) [AD621BNZ](#) [AD621BR](#) [AD622ANZ](#) [AD623ANZ](#)
[AD623BNZ](#) [AD624ADZ](#) [AD624CDZ](#) [AD624SD/883B](#) [AD625ADZ](#) [AD625BDZ](#) [AD625JNZ](#) [AD625KNZ](#) [AD625SD](#) [AD627BNZ](#)
[AD693AD](#) [AD693AE](#) [AD693AQ](#) [AD694AQ](#) [AD694ARZ-REEL](#) [AD694BRZ-REEL](#) [AD694JNZ](#) [AD8221ARMZ-R7](#) [AD8222HBCPZ-WP](#)
[AD8224ACPZ-R7](#) [AD8224BCPZ-WP](#) [AD8224HBCPZ-WP](#) [AD8226ARMZ-R7](#) [AD8228ARMZ](#) [AD8228ARMZ-R7](#) [AD8229HDZ](#)
[AD8236ARMZ-R7](#) [AD8237ARMZ-R7](#) [AD8253ARMZ](#) [AD8293G160BRJZ-R7](#) [AD8293G80BRJZ-R2](#) [AD8553ARMZ](#)