

## FEATURES

- 10-bit ADC with 9  $\mu$ s conversion time
  - 1 **AD7818** and 4 **AD7817** single-ended analog input channels
  - On-chip temperature sensor
    - Resolution of 0.25°C
    - $\pm 2^\circ\text{C}$  error from  $-40^\circ\text{C}$  to  $+85^\circ\text{C}$
    - $-55^\circ\text{C}$  to  $+125^\circ\text{C}$  operating range
  - Wide operating supply range: 2.7 V to 5.5 V
  - Inherent track-and-hold functionality
  - On-chip reference (2.5 V  $\pm$  1%)
  - Overtemperature indicator
  - Automatic power-down at the end of a conversion
  - Low power operation
    - 4  $\mu$ W at a throughput rate of 10 SPS
    - 40  $\mu$ W at a throughput rate of 1 kSPS
    - 400  $\mu$ W at a throughput rate of 10 kSPS
  - Flexible serial interface
- ## APPLICATIONS
- Data acquisition systems with ambient temperature monitoring
  - Industrial process control
  - Automotive
  - Battery charging applications

## GENERAL DESCRIPTION

The **AD7817/AD7818** are 10-bit, single- and 4-channel analog-to-digital converters (ADCs) with an on-chip temperature sensor that can operate from a single 2.7 V to 5.5 V power supply. Each device contains a 9  $\mu$ s successive approximation converter based around a capacitor digital-to-analog converter (DAC), an on-chip temperature sensor with an accuracy of  $\pm 2^\circ\text{C}$ , an on-chip clock oscillator, inherent track-and-hold functionality, and an on-chip reference (2.5 V).

The on-chip temperature sensor of the **AD7817/AD7818** can be accessed via Channel 0. When Channel 0 is selected and a conversion is initiated, the resulting ADC code at the end of the conversion gives a measurement of the ambient temperature with a resolution of  $\pm 0.25^\circ\text{C}$ . See the Temperature Measurement section.

The **AD7817/AD7818** have a flexible serial interface that allows easy interfacing to most microcontrollers. The interface is compatible with the Intel 8051, Motorola SPI and QSPI, and National Semiconductors MICROWIRE protocols. For more

## FUNCTIONAL BLOCK DIAGRAMS

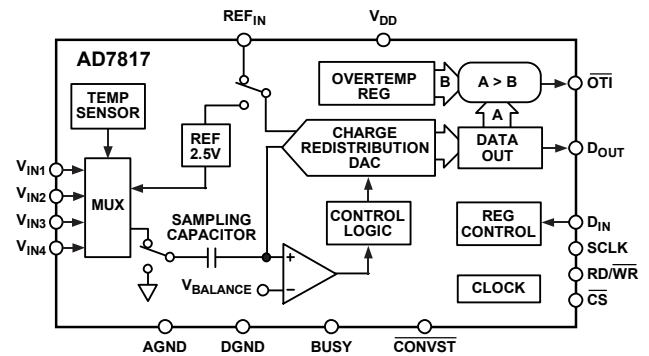


Figure 1. AD7817 Functional Block Diagram

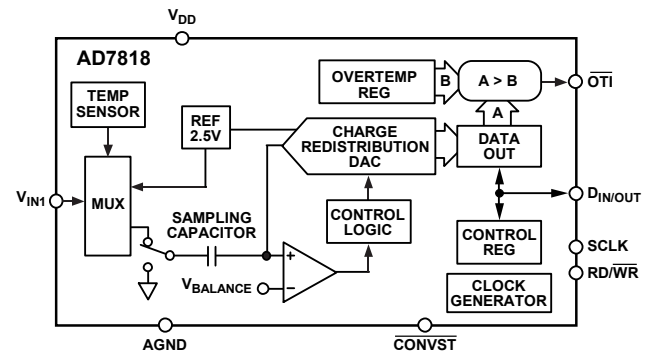


Figure 2. AD7818 Functional Block Diagram

information, refer to the AD7817 Serial Interface section and the AD7818 Serial Interface Mode section.

The **AD7817** is available in a narrow body, 0.15 inch, 16-lead SOIC and a 16-lead TSSOP, and the **AD7818** comes in an 8-lead SOIC and an 8-lead MSOP.

## PRODUCT HIGHLIGHTS

1. The devices have an on-chip temperature sensor that allows an accurate measurement of the ambient temperature to be made. The measurable temperature range is  $-55^\circ\text{C}$  to  $+125^\circ\text{C}$ .
2. An overtemperature indicator is implemented by carrying out a digital comparison of the ADC code for Channel 0 (temperature sensor) with the contents of the on-chip overtemperature register. The overtemperature indicator pin goes logic low when a predetermined temperature is exceeded.
3. The automatic power-down feature enables the **AD7817** and **AD7818** to achieve superior power performance at slower throughput rates, that is, 40  $\mu$ W at 1 kSPS throughput rate.

## TABLE OF CONTENTS

Features .....	1	Converter Details .....	12
Applications.....	1	Typical Connection Diagram .....	12
Functional Block Diagrams.....	1	Analog Inputs .....	12
General Description .....	1	On-Chip Reference .....	13
Product Highlights .....	1	ADC Transfer Function.....	13
Revision History .....	2	Temperature Measurement .....	14
Specifications.....	3	Temperature Measurement Error Due to Reference Error... 14	
Timing Characteristics .....	6	Self-Heating Considerations.....	14
Absolute Maximum Ratings.....	7	Operating Modes.....	15
ESD Caution.....	7	Power vs. Throughput.....	17
Pin Configurations and Function Descriptions .....	8	AD7817 Serial Interface.....	17
Terminology .....	10	AD7818 Serial Interface Mode .....	18
Control Byte .....	11	Outline Dimensions .....	19
Circuit Information.....	12	Ordering Guide .....	20

## REVISION HISTORY

### 11/15—Rev. D to Rev. E

Changes to Title, Figure 1, and Figure 2.....	1
Change to Temperature Sensor (AD7818 Only) Parameter, Table 1 .....	4
Change to Power Requirements (AD7818 Only) Parameter, Table 1 .....	5

### 10/12—Rev. C to Rev. D

Deleted AD7816.....	Universal
Changes to Format .....	Universal
Deleted Figure 15; Renumbered Sequentially .....	14
Updated Outline Dimensions .....	19
Changes to Ordering Guide .....	20

### 9/04—Rev. B to Rev. C

Changes to Ordering Guide .....	6
Changes to Operating Modes Section and Figure 16 .....	13
Changes to Figure 17.....	14
Changes to AD7817 Serial Interface, Read Operation Section and Figure 20.....	15
Changes to Figure 21.....	16

## SPECIFICATIONS

$V_{DD} = 2.7\text{ V}$  to  $5.5\text{ V}$ ,  $GND = 0\text{ V}$ ,  $REF_{IN} = 2.5\text{ V}$ , unless otherwise noted. The [AD7817](#) temperature sensor is specified with an external  $2.5\text{ V}$  reference, and the [AD7818](#) temperature sensor is specified with an on-chip reference. For  $V_{DD} = 2.7\text{ V}$ ,  $T_A = 85^\circ\text{C}$  maximum and temperature sensor measurement error =  $\pm 3^\circ\text{C}$ .

Table 1.

Parameter	A Version <sup>1</sup>	B Version <sup>1</sup>	S Version <sup>1</sup>	Unit	Test Conditions/Comments
<b>DYNAMIC PERFORMANCE (AD7817 ONLY)</b>					
Signal-to-(Noise + Distortion) Ratio <sup>2</sup>	58	58	58	dB min	Sample rate = 100 kSPS, any channel, $f_{IN} = 20\text{ kHz}$ -75 dB typical -75 dB typical $f_a = 19.9\text{ kHz}$ , $f_b = 20.1\text{ kHz}$ $f_{IN} = 20\text{ kHz}$
Total Harmonic Distortion <sup>2</sup>	-65	-65	-65	dB max	
Peak Harmonic or Spurious Noise <sup>2</sup>	-65	-65	-65	dB max	
Intermodulation Distortion <sup>2</sup>					
Second-Order Terms	-67	-67	-67	dB typ	
Third-Order Terms	-67	-67	-67	dB typ	
Channel-to-Channel Isolation <sup>2</sup>	-80	-80	-80	dB typ	
<b>DC ACCURACY (AD7817 ONLY)</b>					
Resolution	10	10	10	Bits	Any channel  External reference Internal reference
Minimum Resolution for Which No Missing Codes are Guaranteed	10	10	10		
Relative Accuracy <sup>2</sup>	$\pm 1$	$\pm 1$	$\pm 1$	LSB max	
Differential Nonlinearity <sup>2</sup>	$\pm 1$	$\pm 1$	$\pm 1$	LSB max	
Gain Error <sup>2</sup>	$\pm 2$	$\pm 2$	$\pm 2$	LSB max	
	$\pm 10$	$\pm 10$	$+20/-10$	LSB max	
Gain Error Match <sup>2</sup>	$\pm 1/2$	$\pm 1/2$	$\pm 1/2$	LSB max	
Offset Error <sup>2</sup>	$\pm 2$	$\pm 2$	$\pm 2$	LSB max	
Offset Error Match	$\pm 1/2$	$\pm 1/2$	$\pm 1/2$	LSB max	
<b>TEMPERATURE SENSOR (AD7817 ONLY)</b>					
Measurement Error					External reference $V_{REF} = 2.5\text{ V}$
Ambient Temperature $25^\circ\text{C}$	$\pm 2$	$\pm 1$	$\pm 2$	$^\circ\text{C}$ max	
$T_{MIN}$ to $T_{MAX}$	$\pm 3$	$\pm 2$	$\pm 3$	$^\circ\text{C}$ max	On-chip reference
Measurement Error					
Ambient Temperature $25^\circ\text{C}$	$\pm 2.25$	$\pm 2.25$	$\pm 2.25$	$^\circ\text{C}$ max	
$T_{MIN}$ to $T_{MAX}$	$\pm 3$	$\pm 3$	$\pm 6$	$^\circ\text{C}$ max	
Temperature Resolution	1/4	1/4	1/4	$^\circ\text{C}/\text{LSB}$	
<b>REFERENCE INPUT (AD7817 ONLY)<sup>3,4</sup></b>					
$REF_{IN}$ Input Voltage Range <sup>3</sup>	2.625	2.625	2.625	V max	2.5 V + 5%
	2.375	2.375	2.375	V min	
Input Impedance	40	40	40	k $\Omega$ min	
Input Capacitance	10	10	10	pF max	
<b>ON-CHIP REFERENCE (AD7817 ONLY)<sup>5</sup></b>					
Temperature Coefficient <sup>3</sup>	80	80	150	ppm/ $^\circ\text{C}$ typ	Nominal 2.5 V
<b>CONVERSION RATE (AD7817 ONLY)</b>					
Track-and-Hold Acquisition Time <sup>4</sup>	400	400	400	ns max	Source Impedance < 10 $\Omega$
Conversion Time					
Temperature Sensor	27	27	27	$\mu\text{s}$ max	
Channel 1 to Channel 4	9	9	9	$\mu\text{s}$ max	

Parameter	A Version <sup>1</sup>	B Version <sup>1</sup>	S Version <sup>1</sup>	Unit	Test Conditions/Comments
<b>POWER REQUIREMENTS (AD7817 ONLY)</b>					
$V_{DD}$	5.5 2.7	5.5 2.7	5.5 2.7	V max V min	For specified performance
$I_{DD}$					Logic inputs = 0 V or $V_{DD}$
Normal Operation	2	2	2	mA max	1.6 mA typical
Using External Reference	1.75	1.75	1.75	mA max	2.5 V external reference connected
Power-Down ( $V_{DD} = 5$ V)	10	10	12.5	$\mu$ A max	5.5 $\mu$ A typical
Power-Down ( $V_{DD} = 3$ V)	4	4	4.5	$\mu$ A max	2 $\mu$ A typical
Auto Power-Down Mode					$V_{DD} = 3$ V
10 SPS Throughput Rate	6.4	6.4	6.4	$\mu$ W typ	See the Power vs. Throughput section for description of power dissipation in auto power-down mode
1 kSPS Throughput Rate	48.8	48.8	48.8	$\mu$ W typ	
10 kSPS Throughput Rate	434	434	434	$\mu$ W typ	
Power-Down	12	12	13.5	$\mu$ W max	Typically 6 $\mu$ W
<b>DYNAMIC PERFORMANCE (AD7818 ONLY)<sup>6</sup></b>					
Signal-to-(Noise + Distortion) Ratio <sup>2</sup>	57			dB min	Sample rate = 100 kSPS, any channel, $f_{IN} = 20$ kHz
Total Harmonic Distortion <sup>2</sup>	-65			dB max	-75 dB typical
Peak Harmonic or Spurious Noise <sup>2</sup>	-67			dB typ	-75 dB typical
Intermodulation Distortion <sup>2</sup>					$f_a = 19.9$ kHz, $f_b = 20.1$ kHz
Second-Order Terms	-67			dB typ	
Third-Order Terms	-67			dB typ	
Channel-to-Channel Isolation <sup>2</sup>	-80			dB typ	$f_{IN} = 20$ kHz
<b>DC ACCURACY (AD7818 ONLY)<sup>6</sup></b>					
Resolution	10			Bits	Any channel
Minimum Resolution for Which No Missing Codes are Guaranteed	10			Bits	
Relative Accuracy <sup>2</sup>	$\pm 1$			LSB max	
Differential Nonlinearity <sup>2</sup>	$\pm 1$			LSB max	
Gain Error <sup>2</sup>	$\pm 10$			LSB max	
Offset Error <sup>2</sup>	$\pm 4$			LSB max	
<b>TEMPERATURE SENSOR (AD7818 ONLY)<sup>6</sup></b>					
Measurement Error					Internal reference $V_{REF} = 2.5$ V
Ambient Temperature 25°C	$\pm 2$			$^{\circ}$ C max	
$T_{MIN}$ to $T_{MAX}$	$\pm 3$			$^{\circ}$ C max	
Measurement Error					On-chip reference
Ambient Temperature 25°C	$\pm 2$			$^{\circ}$ C max	
$T_{MIN}$ to $T_{MAX}$	$\pm 3$			$^{\circ}$ C max	
Temperature Resolution	1/4			$^{\circ}$ C/LSB	
<b>ON-CHIP REFERENCE (AD7818 ONLY)<sup>5</sup></b>					
Temperature Coefficient <sup>3</sup>	30			ppm/ $^{\circ}$ C typ	Nominal 2.5 V
<b>CONVERSION RATE (AD7818 ONLY)<sup>6</sup></b>					
Track-and-Hold Acquisition Time <sup>4</sup>	400			ns max	Source impedance < 10 $\Omega$
Conversion Time					
Temperature Sensor	27			$\mu$ s max	
Channel 1	9			$\mu$ s max	

Parameter	A Version <sup>1</sup>	B Version <sup>1</sup>	S Version <sup>1</sup>	Unit	Test Conditions/Comments
<b>POWER REQUIREMENTS (AD7818 ONLY)<sup>6</sup></b>					
$V_{DD}$	5.5 2.7			V max V min	For specified performance
$I_{DD}$					Logic inputs = 0 V or $V_{DD}$
Normal Operation	2			mA max	1.3 mA typical
Using External Reference	1.75			mA max	2.5 V internal reference connected
Power-Down ( $V_{DD} = 5$ V)	10.75			$\mu$ A max	6 $\mu$ A typ
Power-Down ( $V_{DD} = 3$ V)	4.5			$\mu$ A max	2 $\mu$ A typ
Auto Power-Down Mode					$V_{DD} = 3$ V
10 SPS Throughput Rate	6.4			$\mu$ W typ	See the Power vs. Throughput section
1 kSPS Throughput Rate	48.8			$\mu$ W typ	for description of power dissipation
10 kSPS Throughput Rate	434			$\mu$ W typ	in auto power-down mode
Power-Down	13.5			$\mu$ W max	Typically 6 $\mu$ W
<b>ANALOG INPUTS (AD7817/AD7818)<sup>7</sup></b>					
Input Voltage Range	$V_{REF}$ 0	$V_{REF}$ 0	$V_{REF}$ 0	V max V min	
Input Leakage	$\pm 1$	$\pm 1$	$\pm 1$	$\mu$ A min	
Input Capacitance	10	10	10	pF max	
<b>LOGIC INPUTS (AD7817/AD7818)<sup>4</sup></b>					
Input High Voltage, $V_{INH}$	2.4	2.4	2.4	V min	$V_{DD} = 5$ V $\pm 10\%$
Input Low Voltage, $V_{INL}$	0.8	0.8	0.8	V max	$V_{DD} = 5$ V $\pm 10\%$
Input High Voltage, $V_{INH}$	2	2	2	V min	$V_{DD} = 3$ V $\pm 10\%$
Input Low Voltage, $V_{INL}$	0.4	0.4	0.4	V max	$V_{DD} = 3$ V $\pm 10\%$
Input Current, $I_{IN}$	$\pm 3$	$\pm 3$	$\pm 3$	$\mu$ A max	Typically 10 nA, $V_{IN} = 0$ V to $V_{DD}$
Input Capacitance, $C_{IN}$	10	10	10	pF max	
<b>LOGIC OUTPUTS (AD7817/AD7818)<sup>4</sup></b>					
Output High Voltage, $V_{OH}$	4 2.4	4 2.4	4 2.4	V min V min	$I_{SOURCE} = 200$ $\mu$ A $V_{DD} = 5$ V $\pm 10\%$ $V_{DD} = 3$ V $\pm 10\%$
Output Low Voltage, $V_{OL}$	0.4 0.2	0.4 0.2	0.4 0.2	V max V max	$I_{SINK} = 200$ $\mu$ A $V_{DD} = 5$ V $\pm 10\%$ $V_{DD} = 3$ V $\pm 10\%$
High Impedance Leakage Current	$\pm 1$	$\pm 1$	$\pm 1$	$\mu$ A max	
High Impedance Capacitance	15	15	15	pF max	

<sup>1</sup> The B Version and the S Version only apply to the AD7817. The A Version applies to the AD7817 or the AD7818 (as stated in specification).

<sup>2</sup> See Terminology.

<sup>3</sup> The accuracy of the temperature sensor is affected by reference tolerance. The relationship between the two is explained in the Temperature Measurement Error Due to Reference Error section.

<sup>4</sup> Sample tested during initial release and after any redesign or process change that may affect this parameter.

<sup>5</sup> On-chip reference shuts down when external reference is applied.

<sup>6</sup> These specifications are typical for AD7818 at temperatures above 85°C and with  $V_{DD}$  greater than 3.6 V.

<sup>7</sup> This refers to the input current when the part is not converting. Primarily due to the reverse leakage current in the ESD protection diodes.

## TIMING CHARACTERISTICS

$V_{DD} = 2.7\text{ V}$  to  $5.5\text{ V}$ ,  $GND = 0\text{ V}$ ,  $REF_{IN} = 2.5\text{ V}$ . All specifications  $T_{MIN}$  to  $T_{MAX}$ , unless otherwise noted. Sample tested during initial release and after any redesign or process changes that may affect the parameters. All input signals are measured with  $t_r = t_f = 1\text{ ns}$  (10% to 90% of 5 V) and timed from a voltage level of 1.6 V. See Figure 17, Figure 18, Figure 21, and Figure 22.

Table 2.

Parameter	A Version/B Version	Unit	Test Conditions/Comments
$t_{POWER-UP}$	2	$\mu\text{s max}$	Power-up time from rising edge of $\overline{CONVST}$
$t_{1a}$	9	$\mu\text{s max}$	Conversion time Channel 1 to Channel 4
$t_{1b}$	27	$\mu\text{s max}$	Conversion time temperature sensor
$t_2$	20	ns min	$\overline{CONVST}$ pulse width
$t_3$	50	ns max	$\overline{CONVST}$ falling edge to $BUSY$ rising edge
$t_4$	0	ns min	$\overline{CS}$ falling edge to $RD/\overline{WR}$ falling edge setup time
$t_5$	0	ns min	$RD/\overline{WR}$ falling edge to $SCLK$ falling edge setup
$t_6$	10	ns min	$D_{IN}$ setup time before $SCLK$ rising edge
$t_7$	10	ns min	$D_{IN}$ hold time after $SCLK$ rising edge
$t_8$	40	ns min	$SCLK$ low pulse width
$t_9$	40	ns min	$SCLK$ high pulse width
$t_{10}$	0	ns min	$\overline{CS}$ falling edge to $RD/\overline{WR}$ rising edge setup time
$t_{11}$	0	ns min	$RD/\overline{WR}$ rising edge to $SCLK$ falling edge setup time
$t_{12}^1$	20	ns max	$D_{OUT}$ access time after $RD/\overline{WR}$ rising edge
$t_{13}^1$	20	ns max	$D_{OUT}$ access time after $SCLK$ falling edge
$t_{14a}^{1,2}$	30	ns max	$D_{OUT}$ bus relinquish time after falling edge of $RD/\overline{WR}$
$t_{14b}^{1,2}$	30	ns max	$D_{OUT}$ bus relinquish time after rising edge of $\overline{CS}$
$t_{15}$	150	ns max	$BUSY$ falling edge to $\overline{OTI}$ falling edge
$t_{16}$	40	ns min	$RD/\overline{WR}$ rising edge to $\overline{OTI}$ rising edge
$t_{17}$	400	ns min	$SCLK$ rising edge to $\overline{CONVST}$ falling edge (acquisition time of T/H)

<sup>1</sup> These figures are measured with the load circuit of Figure 3. They are defined as the time required for  $D_{OUT}$  to cross 0.8 V or 2.4 V for  $V_{DD} = 5\text{ V} \pm 10\%$  and 0.4 V or 2 V for  $V_{DD} = 3\text{ V} \pm 10\%$ , as shown in Table 1.

<sup>2</sup> These times are derived from the measured time taken by the data outputs to change 0.5 V when loaded with the circuit of Figure 3. The measured number is then extrapolated back to remove the effects of charging or discharging the 50 pF capacitor. This means that the times quoted in the timing characteristics are the true bus relinquish times of the part and as such are independent of the external bus loading capacitances.

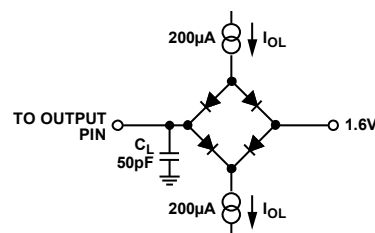


Figure 3. Load Circuit for Access Time and Bus Relinquish Time

01316-003

## ABSOLUTE MAXIMUM RATINGS

$T_A = 25^\circ\text{C}$  unless otherwise noted.

Table 3.

Parameter	Rating
$V_{DD}$ to AGND	-0.3 V to +7 V
$V_{DD}$ to DGND	-0.3 V to +7 V
Analog Input Voltage to AGND $V_{IN1}$ to $V_{IN4}$	-0.3 V to $V_{DD} + 0.3$ V
Reference Input Voltage to AGND <sup>1</sup>	-0.3 V to $V_{DD} + 0.3$ V
Digital Input Voltage to DGND	-0.3 V to $V_{DD} + 0.3$ V
Digital Output Voltage to DGND	-0.3 V to $V_{DD} + 0.3$ V
Storage Temperature Range	-65°C to +150°C
Junction Temperature	150°C
16-Lead TSSOP, Power Dissipation	450 mW
$\theta_{JA}$ Thermal Impedance	120°C/W
Lead Temperature, Soldering	260°C
Vapor Phase (60 sec)	215°C
Infrared (15 sec)	220°C
16-Lead SOIC Package, Power Dissipation	450 mW
$\theta_{JA}$ Thermal Impedance	100°C/W
Lead Temperature, Soldering	
Vapor Phase (60 sec)	215°C
Infrared (15 sec)	220°C
8-Lead SOIC Package, Power Dissipation	450 mW
$\theta_{JA}$ Thermal Impedance	157°C/W
Lead Temperature, Soldering	
Vapor Phase (60 sec)	215°C
Infrared (15 sec)	220°C
8-Lead MSOP Package, Power Dissipation	450 mW
$\theta_{JA}$ Thermal Impedance	206°C/W
Lead Temperature, Soldering	
Vapor Phase (60 sec)	215°C
Infrared (15 sec)	220°C

<sup>1</sup> If the reference input voltage is likely to exceed  $V_{DD}$  by more than 0.3 V (that is, during power-up) and the reference is capable of supplying 30 mA or more, it is recommended to use a clamping diode between the  $REF_{IN}$  pin and  $V_{DD}$  pin.

Stresses at or above those listed under Absolute Maximum Ratings may cause permanent damage to the product. This is a stress rating only; functional operation of the product at these or any other conditions above those indicated in the operational section of this specification is not implied. Operation beyond the maximum operating conditions for extended periods may affect product reliability.

### ESD CAUTION



**ESD (electrostatic discharge) sensitive device.** Charged devices and circuit boards can discharge without detection. Although this product features patented or proprietary protection circuitry, damage may occur on devices subjected to high energy ESD. Therefore, proper ESD precautions should be taken to avoid performance degradation or loss of functionality.

## PIN CONFIGURATIONS AND FUNCTION DESCRIPTIONS

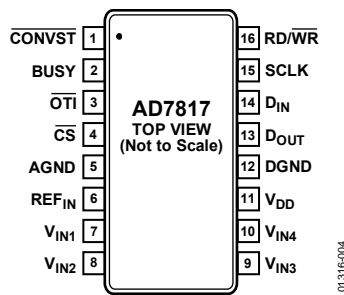


Figure 4. AD7817 Pin Configuration

Table 4. AD7817 Pin Function Descriptions

Pin No.	Mnemonic	Description
1	$\overline{\text{CONVST}}$	Logic Input Signal. The convert start signal. A 10-bit analog-to-digital conversion is initiated on the falling edge of this signal. The falling edge of this signal places track-and-hold in hold mode. Track-and-hold goes into track mode again at the end of the conversion. The state of the $\overline{\text{CONVST}}$ signal is checked at the end of a conversion. If it is logic low, the AD7817 powers down. See the Operating Modes section.
2	BUSY	Logic Output. The busy signal is logic high during a temperature or voltage A/D conversion. The signal can be used to interrupt a microcontroller when a conversion has finished.
3	$\overline{\text{OTI}}$	Logic Output. The overtemperature indicator ( $\overline{\text{OTI}}$ ) is set logic low if the result of a conversion on Channel 0 (temperature sensor) is greater than an 8-bit word in the overtemperature register (OTR). The signal is reset at the end of a serial read operation, that is, a rising RD/WR edge when CS is low.
4	$\overline{\text{CS}}$	Logic Input Signal. The chip select signal is used to enable the serial port of the AD7817. This is necessary if the AD7817 is sharing the serial bus with more than one device.
5	AGND	Analog Ground. Ground reference for track-and-hold comparator and capacitor DAC.
6	REF <sub>IN</sub>	Analog Input. An external 2.5 V reference can be connected to the AD7817 at this pin. To enable the on-chip reference, tie the REF <sub>IN</sub> pin to AGND. If an external reference is connected to the AD7817, the internal reference shuts down.
7 to 10	V <sub>IN1</sub> to V <sub>IN4</sub>	Analog Input Channels. The AD7817 has four analog input channels. The input channels are single-ended with respect to AGND (analog ground). The input channels can convert voltage signals in the range 0 V to V <sub>REF</sub> . A channel is selected by writing to the address register of the AD7817. See the Control Byte section.
11	V <sub>DD</sub>	Positive Supply Voltage, 2.7 V to 5.5 V.
12	DGND	Digital Ground. Ground reference for digital circuitry.
13	D <sub>OUT</sub>	Logic Output with a High Impedance State. Data is clocked out of the AD7817 serial port at this pin. This output goes into a high impedance state on the falling edge of RD/WR or on the rising edge of the CS signal, whichever occurs first.
14	D <sub>IN</sub>	Logic Input. Data is clocked into the AD7817 at this pin.
15	SCLK	Clock Input for the Serial Port. The serial clock is used to clock data into and out of the AD7817. Data is clocked out on the falling edge and clocked in on the rising edge.
16	RD/WR	Logic Input Signal. The read/write signal is used to indicate to the AD7817 whether the data transfer operation is a read or a write. Set the RD/WR logic high for a read operation and logic low for a write operation.





Figure 5. AD7818 Pin Configuration

Table 5. AD7818 Pin Function Descriptions

Pin No.	Mnemonic	Description
1	CONVST	Logic Input Signal. The convert start signal initiates a 10-bit analog-to-digital conversion on the falling edge of this signal. The falling edge of this signal places track-and-hold in hold mode. Track-and-hold goes into track mode again at the end of the conversion. The state of the $\overline{\text{CONVST}}$ signal is checked at the end of a conversion. If it is logic low, the AD7818 powers down. See the Operating Modes section.
2	$\overline{\text{OTI}}$	Logic Output. The overtemperature indicator ( $\overline{\text{OTI}}$ ) is set logic low if the result of a conversion on Channel 0 (temperature sensor) is greater than an 8-bit word in the overtemperature register (OTR). The signal is reset at the end of a serial read operation, that is, a rising RD/WR edge.
3	GND	Analog and Digital Ground.
4	V <sub>IN</sub>	Analog Input Channel. The input channel is single-ended with respect to GND. The input channel can convert voltage signals in the range 0 V to 2.5 V. The input channel is selected by writing to the address register of the AD7818. See the Control Byte section.
5	V <sub>DD</sub>	Positive Supply Voltage, 2.7 V to 5.5 V.
6	D <sub>IN/OUT</sub>	Logic Input and Output. Serial data is clocked in and out of the AD7818 at this pin.
7	SCLK	Clock Input for the Serial Port. The serial clock is used to clock data into and out of the AD7818. Data is clocked out on the falling edge and clocked in on the rising edge.
8	RD/WR	Logic Input. The read/write signal is used to indicate to the AD7818 whether the next data transfer operation is a read or a write. Set the RD/WR logic high for a read operation and logic low for a write.

## TERMINOLOGY

### Signal-to-(Noise + Distortion) Ratio

This is the measured ratio of signal-to-(noise + distortion) at the output of the A/D converter. The signal is the rms amplitude of the fundamental. Noise is the rms sum of all nonfundamental signals up to half the sampling frequency ( $f_s/2$ ), excluding dc. The ratio is dependent upon the number of quantization levels in the digitization process; the more levels, the smaller the quantization noise. The theoretical signal-to-(noise + distortion) ratio for an ideal N-bit converter with a sine wave input is given by:

$$\text{Signal-to-(Noise + Distortion)} = (6.02N + 1.76) \text{ dB}$$

Thus, for a 10-bit converter, this is 62 dB.

### Total Harmonic Distortion (THD)

THD is the ratio of the rms sum of harmonics to the fundamental. For the AD7817/AD7818, it is defined as:

$$\text{THD(dB)} = 20 \log \frac{\sqrt{V_2^2 + V_3^2 + V_4^2 + V_5^2 + V_6^2}}{V_1}$$

where:

$V_1$  is the rms amplitude of the fundamental.

$V_2, V_3, V_4, V_5,$  and  $V_6$  are the rms amplitudes of the second through the sixth harmonics.

### Peak Harmonic or Spurious Noise

Peak harmonic or spurious noise is defined as the ratio of the rms value of the next largest component in the ADC output spectrum (up to  $f_s/2$  and excluding dc) to the rms value of the fundamental. Normally, the value of this specification is determined by the largest harmonic in the spectrum; however, for devices where the harmonics are buried in the noise floor, it is a noise peak.

### Intermodulation Distortion

With inputs consisting of sine waves at two frequencies,  $f_a$  and  $f_b$ , any active device with nonlinearities creates distortion products at sum and difference frequencies of  $m f_a \pm n f_b$ , where  $m, n = 0, 1, 2, 3,$  etc. Intermodulation terms are those for which neither  $m$  nor  $n$  are equal to zero. For example, the second-order terms include  $(f_a + f_b)$  and  $(f_a - f_b)$ , while the third-order terms include  $(2f_a + f_b), (2f_a - f_b), (f_a + 2f_b),$  and  $(f_a - 2f_b)$ .

The AD7817/AD7818 are tested using the CCIF standard where two input frequencies near the top end of the input bandwidth are used. In this case, the second- and third-order terms are of different significance. The second-order terms are usually distanced in frequency from the original sine waves, while the third-order terms are usually at a frequency close to the input frequencies. As a result, the second- and third-order terms are

specified separately. The calculation of the intermodulation distortion is as per the THD specification where it is the ratio of the rms sum of the individual distortion products to the rms amplitude of the fundamental expressed in dBs.

### Channel-to-Channel Isolation

Channel-to-channel isolation is a measure of the level of crosstalk between channels. It is measured by applying a full-scale 20 kHz sine wave signal to one input channel and determining how much that signal is attenuated in each of the other channels. The figure given is the worst case across all four channels.

### Relative Accuracy

Relative accuracy or endpoint nonlinearity is the maximum deviation from a straight line passing through the endpoints of the ADC transfer function.

### Differential Nonlinearity

This is the difference between the measured and the ideal 1 LSB change between any two adjacent codes in the ADC.

### Gain Error

This is the deviation of the last code transition (1111 . . . 110) to (1111 . . . 111) from the ideal, that is,  $V_{REF} - 1 \text{ LSB}$ , after the offset error has been adjusted out.

### Gain Error Match

This is the difference in gain error between any two channels.

### Offset Error

This is the deviation of the first code transition (0000 . . . 000) to (0000 . . . 001) from the ideal, that is,  $AGND + 1 \text{ LSB}$ .

### Offset Error Match

This is the difference in offset error between any two channels.

### Track-and-Hold Acquisition Time

The track-and-hold acquisition time is the time required for the output of the track-and-hold amplifier to reach its final value, within  $\pm 1/2 \text{ LSB}$ , after the end of conversion (the point at which the track-and-hold returns to track mode). It also applies to situations where a change in the selected input channel takes place or where there is a step input change on the input voltage applied to the selected  $V_{IN}$  input of the AD7817 or the AD7818. It means that the user must wait for the duration of the track-and-hold acquisition time after the end of conversion or after a channel change/step input change to  $V_{IN}$  before starting another conversion, to ensure that the device operates to specification.

## CONTROL BYTE

The AD7817/AD7818 contain two on-chip registers, the address register and the overtemperature register. These registers can be accessed by carrying out an 8-bit serial write operation to the devices. The 8-bit word or control byte written to the AD7817/AD7818 is transferred to one of the two on-chip registers as follows.

### Address Register

If the five MSBs of the control byte are logic zero, the three LSBs of the control byte are transferred to the address register (see Figure 6). The address register is a 3-bit-wide register used to select the analog input channel on which to carry out a conversion. It is also used to select the temperature sensor, which has the 000 address. Table 6 shows the channel selection. The internal reference selection connects the input of the ADC to a band gap reference. When this selection is made and a conversion is initiated, the ADC output must be approximately midscale. After power-up, the default channel selection is DB2 = DB1 = DB0 = 0 (temperature sensor).

Table 6. Channel Selection

DB2	DB1	DB0	Channel Selection	Device
0	0	0	Temperature sensor	All
0	0	1	Channel 1	All
0	1	0	Channel 2	AD7817
0	1	1	Channel 3	AD7817
1	0	0	Channel 4	AD7817
1	1	1	Internal reference (1.23 V)	All

### Overtemperature Register

If any of the five MSBs of the control byte are logic one, the entire eight bits of the control byte are transferred to the overtemperature register (see Figure 6). At the end of a temperature conversion, a digital comparison is carried out between the 8 MSBs of the temperature conversion result (10 bits) and the contents of the overtemperature register (8 bits). If the result of the temperature conversion is greater than the contents of the overtemperature register (OTR), the overtemperature indicator ( $\overline{OTI}$ ) goes logic low. The resolution of the OTR is 1°C. The lowest temperature that can be written to the OTR is -95°C and the highest is +152°C (see Figure 7). However, the usable temperature range of the temperature sensor is -55°C to +125°C. Figure 7 shows the OTR and how to set  $T_{ALARM}$  (the temperature at which the  $\overline{OTI}$  goes low).

$$OTR (Dec) = T_{ALARM} (°C) + 103°C$$

For example, to set  $T_{ALARM}$  to 50°C,  $OTR = 50 + 103 = 153$  Dec or 10011001 bin. If the result of a temperature conversion exceeds 50°C,  $\overline{OTI}$  goes logic low. The  $\overline{OTI}$  logic output is reset high at the end of a serial read operation or if a new temperature measurement is lower than  $T_{ALARM}$ . The default power on  $T_{ALARM}$  is 50°C.

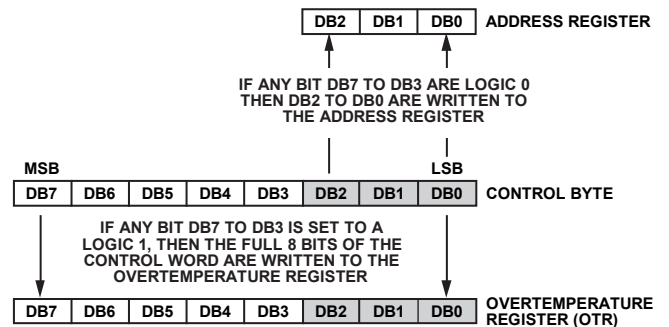


Figure 6. Address and Overtemperature Register Selection

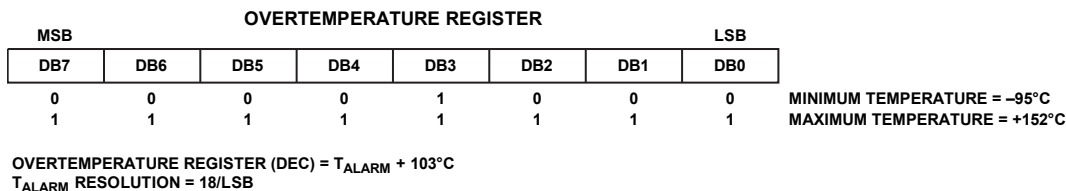


Figure 7. The Overtemperature Register (OTR)

**CIRCUIT INFORMATION**

The AD7817/AD7818 are single- and four-channel, 9  $\mu$ s conversion time, 10-bit ADCs with an on-chip temperature sensor, reference, and serial interface logic functions on a single chip. The ADC section consists of a conventional, successive approximation converter based around a capacitor DAC. The AD7817/AD7818 are capable of running on a 2.7 V to 5.5 V power supply, and they accept an analog input range of 0 V to  $V_{REF}$ . The on-chip temperature sensor allows an accurate measurement of the ambient device temperature to be made. The working measurement range of the temperature sensor is  $-55^{\circ}\text{C}$  to  $+125^{\circ}\text{C}$ . The AD7817/AD7818 require a 2.5 V reference, which can be provided from their internal reference or from an external reference source. The on-chip reference is selected by connecting the  $REF_{IN}$  pin to analog ground.

**CONVERTER DETAILS**

Conversion is initiated by pulsing the  $CONVST$  input. The conversion clock for the device is internally generated; therefore, an external clock is not required, except when reading from and writing to the serial port. The on-chip, track-and-hold goes from track mode to hold mode, and the conversion sequence is started on the falling edge of the  $CONVST$  signal. At this point, the  $BUSY$  signal goes high and low again 9  $\mu$ s or 27  $\mu$ s later (depending on whether an analog input or the temperature sensor is selected) to indicate the end of the conversion process. A microcontroller can use this signal to determine when the result of the conversion is to be read. The track-and-hold acquisition time of the AD7817/AD7818 is 400 ns.

A temperature measurement is made by selecting the Channel 0 of the on-chip mux and carrying out a conversion on this channel. A conversion on Channel 0 takes 27  $\mu$ s to complete. Temperature measurement is explained in the Temperature Measurement section.

The on-chip reference is not available, however,  $REF_{IN}$  can be overdriven by an external reference source (2.5 V only). The effect of reference tolerances on temperature measurements is discussed in the Temperature Measurement Error Due to Reference Error section.

Tie all unused analog inputs to a voltage within the nominal analog input range to avoid noise pickup. For minimum power consumption, tie the unused analog inputs to AGND.

**TYPICAL CONNECTION DIAGRAM**

Figure 8 shows a typical connection diagram for the AD7817. The AGND and DGND are connected together at the device for good noise suppression. The  $BUSY$  line is used to interrupt the microcontroller at the end of the conversion process, and the serial interface is implemented using three wires (see the AD7817 Serial Interface section for more details). An external 2.5 V reference can be connected at the  $REF_{IN}$  pin. If an external reference is used, connect a 10  $\mu$ F capacitor between  $REF_{IN}$  and AGND. For applications where power consumption is a concern, use the automatic power-down at the end of a conversion to improve power performance. See the Power vs. Throughput section.

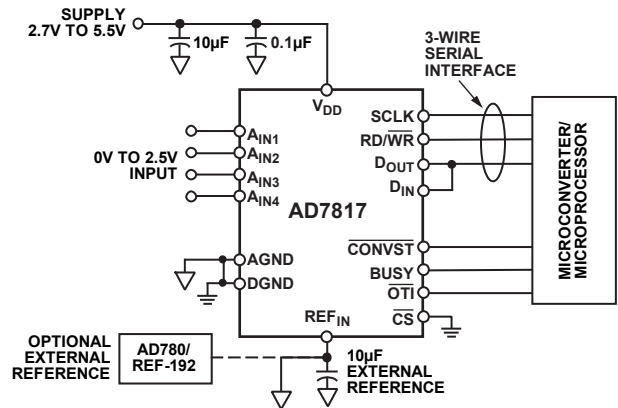


Figure 8. Typical Connection Diagram

**ANALOG INPUTS**

**Analog Input**

Figure 9 shows an equivalent circuit of the analog input structure of the AD7817/AD7818. The two diodes, D1 and D2, provide ESD protection for the analog inputs. Take care to ensure that the analog input signal never exceeds the supply rails by more than 200 mV. This causes these diodes to become forward-biased and start conducting current into the substrate. The maximum current these diodes can conduct without causing irreversible damage to the device is 20 mA. The C2 capacitor in Figure 9 is typically about 4 pF and can mostly be attributed to pin capacitance. The R1 resistor is a lumped component made up of the on resistance of a multiplexer and a switch. This resistor is typically about 1 k $\Omega$ . The C1 capacitor is the ADC sampling capacitor and has a capacitance of 3 pF.

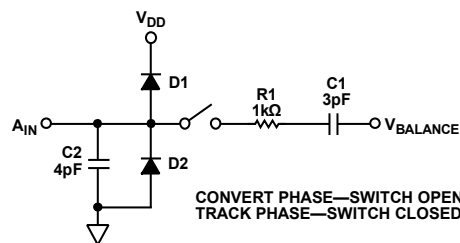


Figure 9. Equivalent Analog Input Circuit

**DC Acquisition Time**

The ADC starts a new acquisition phase at the end of a conversion and ends on the falling edge of the CONVST signal. At the end of a conversion, a settling time is associated with the sampling circuit. This settling time lasts approximately 100 ns. The analog signal on V<sub>IN</sub> is also being acquired during this settling time. Therefore, the minimum acquisition time needed is approximately 100 ns.

Figure 10 shows the equivalent charging circuit for the sampling capacitor when the ADC is in its acquisition phase. R2 represents the source impedance of a buffer amplifier or resistive network, R1 is an internal multiplexer resistance, and C1 is the sampling capacitor.

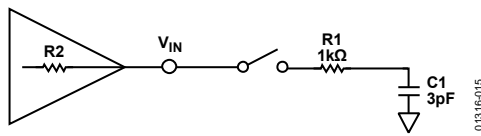


Figure 10. Equivalent Sampling Circuit

During the acquisition phase, the sampling capacitor must be charged to within a 1/2 LSB of its final value. The time it takes to charge the sampling capacitor ( $T_{CHARGE}$ ) is given by

$$T_{CHARGE} = 7.6 \times (R2 + 1 \text{ k}\Omega) \times 3 \text{ pF}$$

For small values of source impedance, the settling time associated with the sampling circuit (100 ns) is, in effect, the acquisition time of the ADC. For example, with a source impedance (R2) of 10 Ω, the charge time for the sampling capacitor is approximately 23 ns. The charge time becomes significant for source impedances of 1 kΩ and greater.

**AC Acquisition Time**

In ac applications, it is recommended to always buffer analog input signals. The source impedance of the drive circuitry must be kept as low as possible to minimize the acquisition time of the ADC. Large values of source impedance cause the THD to degrade at high throughput rates.

**ON-CHIP REFERENCE**

The AD7817/AD7818 have an on-chip, 1.2 V band gap reference that is gained up to give an output of 2.5 V. By connecting the REF<sub>IN</sub> pin to analog ground, the on-chip reference is selected. This selection causes SW1 to open and the reference amplifier to power up during a conversion (see Figure 11). Therefore, the on-chip reference is not available externally. An external 2.5 V reference can be connected to the REF<sub>IN</sub> pin, which has the effect of shutting down the on-chip reference circuitry and reducing I<sub>DD</sub> by approximately 0.25 mA.

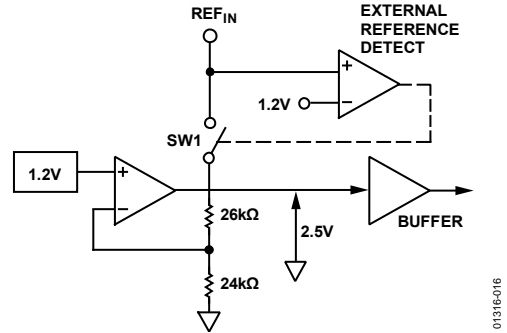


Figure 11. On-Chip Reference

**ADC TRANSFER FUNCTION**

The output coding of the AD7817/AD7818 is straight binary. The designed code transitions occur at successive integer LSB values (that is, 1 LSB, 2 LSBs, and so on). The LSB size is = 2.5 V/1024 = 2.44 mV. The ideal transfer characteristic is shown in Figure 12.

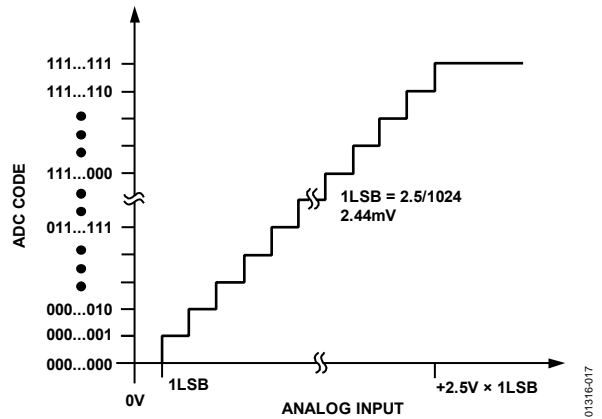


Figure 12. ADC Transfer Function

**TEMPERATURE MEASUREMENT**

The on-chip temperature sensor can be accessed via multiplexer Channel 0, that is, by writing 0 0 0 to the channel address register. The temperature is also the power on default selection. The transfer characteristic of the temperature sensor is shown in Figure 13. The result of the 10-bit conversion on Channel 0 can be converted to degrees centigrade by the following:

$$T_{AMB} = -103^{\circ}\text{C} + (\text{ADC Code}/4)$$

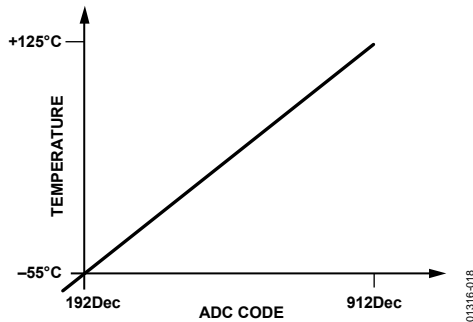


Figure 13. Temperature Sensor Transfer Characteristics

For example, if the result of a conversion on Channel 0 was 1000000000 (512 Dec), the ambient temperature is equal to  $-103^{\circ}\text{C} + (512/4) = +25^{\circ}\text{C}$ .

Table 7 shows some ADC codes for various temperatures.

Table 7. Temperature Sensor Output

ADC Code	Temperature
00 1100 0000	-55°C
01 0011 1000	-25°C
01 1001 1100	0°C
10 0000 0000	+25°C
10 0111 1000	+55°C
11 1001 0000	+125°C

**TEMPERATURE MEASUREMENT ERROR DUE TO REFERENCE ERROR**

The AD7817/AD7818 are trimmed using a precision 2.5 V reference to give the transfer function previously described. To show the effect of the reference tolerance on a temperature reading, the temperature sensor transfer function can be rewritten as a function of the reference voltage and the temperature.

$$\text{CODE (DEC)} = ([113.3285 \times K \times T] / [q \times V_{REF}] - 0.6646) \times 1024$$

where:

$K$  = Boltzmann's Constant,  $1.38 \times 10^{-23}$

$q$  = charge on an electron,  $1.6 \times 10^{-19}$

$T$  = temperature (K)

So, for example, to calculate the ADC code at 25°C,

$$\begin{aligned} \text{CODE} &= ([113.3285 \times 298 \times 1.38 \times 10^{-23}] / [1.6 \times 10^{-19} \times 2.5] \\ &\quad - 0.6646) \times 1024 \\ &= 511.5 \text{ (200 Hex)} \end{aligned}$$

As can be seen from the expression, a reference error produces a gain error. This means that the temperature measurement error due to reference error will be greater at higher temperatures. For example, with a reference error of -1%, the measurement error at -55°C is 2.2 LSBs (+0.5°C) and 16 LSBs (+4°C) at +125°C.

**SELF-HEATING CONSIDERATIONS**

The AD7817/AD7818 have an analog-to-digital conversion function capable of a throughput rate of 100 kSPS. At this throughput rate, the AD7817/AD7818 consume between 4 mW and 6.5 mW of power. Because a thermal impedance is associated with the IC package, the temperature of the die rises as a result of this power dissipation. Figure 14 to Figure 16 show the self-heating effect in a 16-lead SOIC. Figure 14 and Figure 15 show the self-heating effect on a two-layer and four-layer PCB. The plots were generated by assembling a heater (resistor) and temperature sensor (diode) in the package being evaluated. In Figure 14, the heater (6 mW) is turned off after 30 sec. The PCB has little influence on the self-heating over the first few seconds after the heater is turned on. This can be more clearly seen in Figure 15 where the heater is switched off after 2 sec. Figure 16 shows the relative effects of self-heating in air, fluid, and thermal contact with a large heat sink.

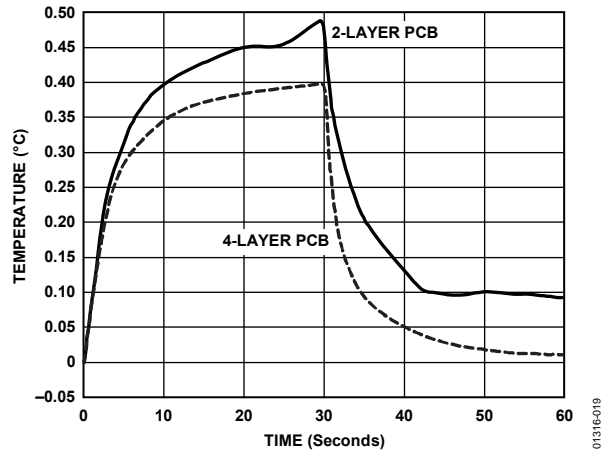


Figure 14. Self-Heating Effect 2-Layer and 4-Layer PCB with the Heater (6 mW) Turned Off After 30 sec

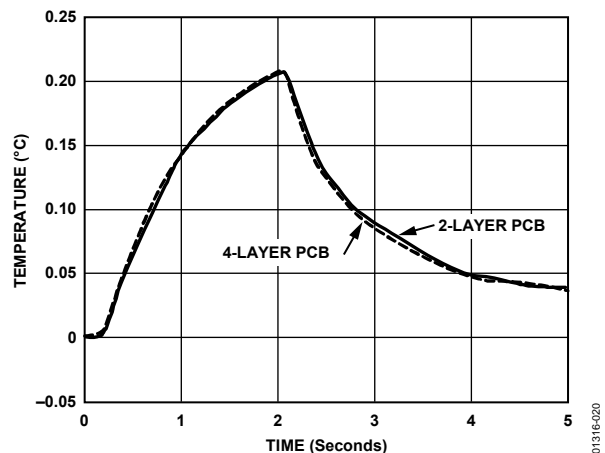


Figure 15. Self-Heating Effect 2-Layer and 4-Layer PCB with the Heater Switched Off After 2 sec

Figure 16 represents the worst-case effects of self-heating. The heater delivered 6 mW to the interior of the package in all cases. This power level is equivalent to the ADC continuously converting at 100 kSPS. The effects of the self-heating can be reduced at lower ADC throughput rates by operating in Mode 2 (see Operating Modes section). When operating in this mode, the on-chip power dissipation reduces dramatically and, as a consequence, the self-heating effects.

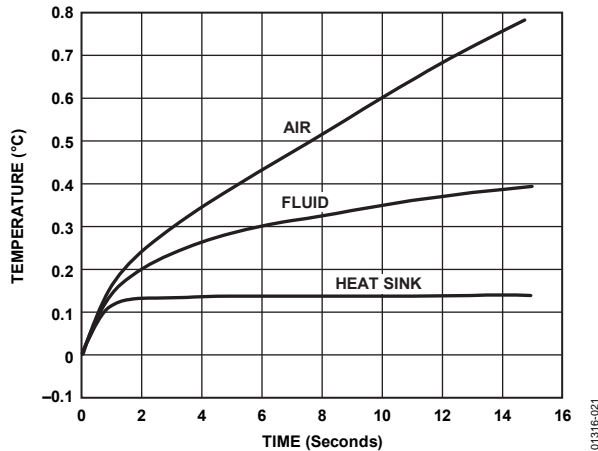


Figure 16. Self-Heating Effect in Air, Fluid, and Thermal Contact with a Heat Sink

## OPERATING MODES

The AD7817/AD7818 have two possible modes of operation depending on the state of the  $\overline{\text{CONVST}}$  pulse at the end of a conversion.

### Mode 1

In this mode of operation, the  $\overline{\text{CONVST}}$  pulse is brought high before the end of a conversion, that is, before  $\text{BUSY}$  goes low (see Figure 17). When operating in this mode, do not initiate a new conversion until 100 ns after the end of a serial read operation. This quiet time is to allow the track-and-hold to accurately acquire the input signal after a serial read.

### Mode 2

In this mode of operation, AD7817/AD7818 automatically power down at the end of a conversion (see Figure 18). The  $\overline{\text{CONVST}}$  is brought low to initiate a conversion and is left logic low until after the end of the conversion. At this point, that is, when  $\text{BUSY}$  goes low, the devices power down.

The devices are powered up again on the rising edge of the  $\overline{\text{CONVST}}$  signal. Superior power performance can be achieved in this mode of operation by powering up the AD7817/AD7818 only to carry out a conversion (see the Power VS. Throughput section). In Figure 18, the  $\overline{\text{CS}}$  line is applicable to the AD7817 only.

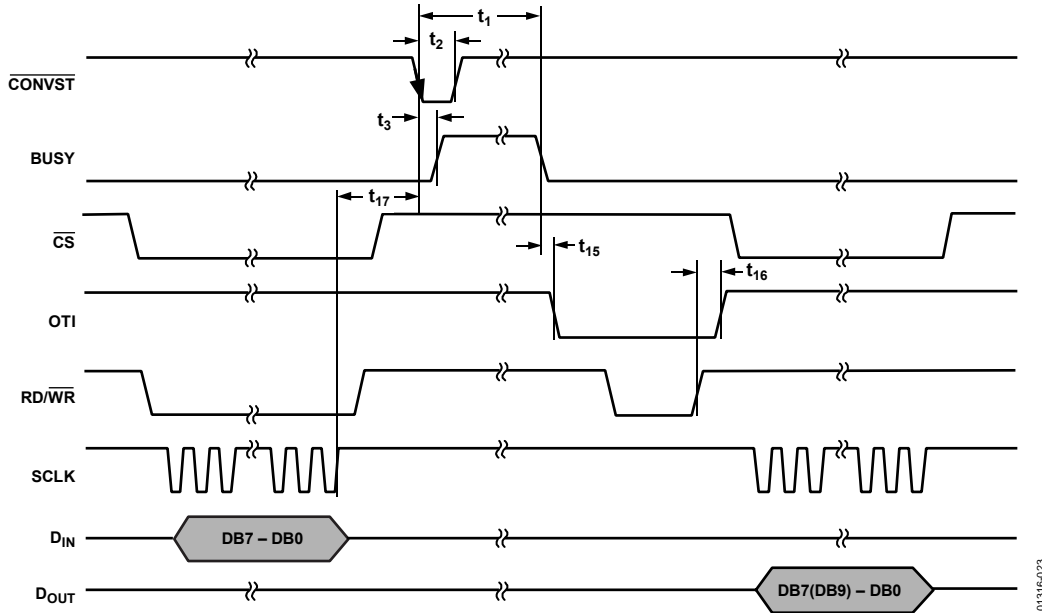


Figure 17. Mode 1 Operation

01316-023

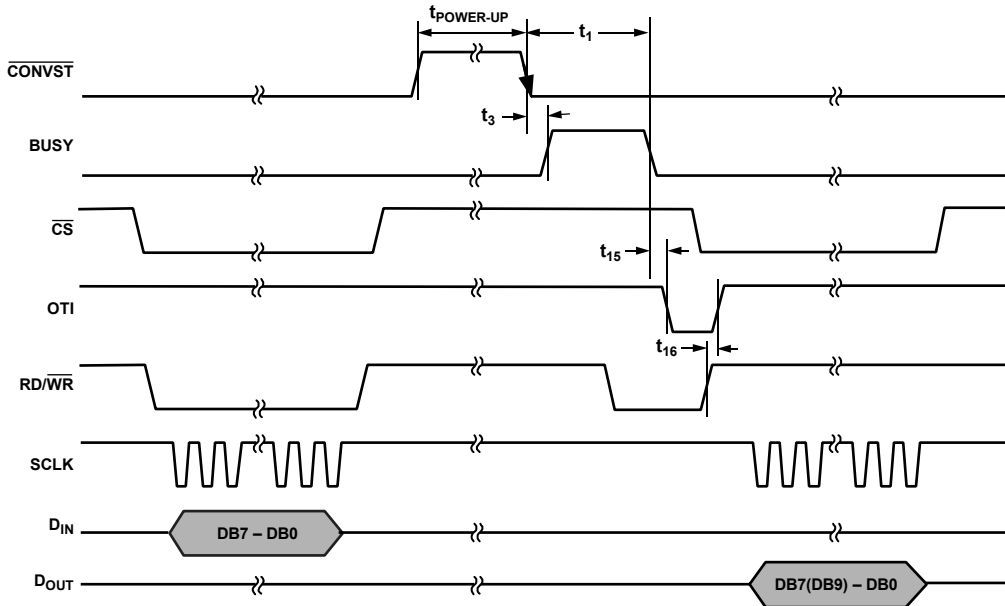


Figure 18. Mode 2 Operation

01316-024



**POWER vs. THROUGHPUT**

Superior power performance can be achieved by using the automatic power-down (Mode 2) at the end of a conversion (see the Operating Modes section).

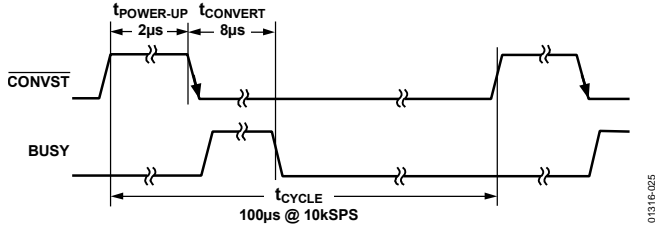


Figure 19. Automatic Power-Down

Figure 19 shows how the automatic power-down is implemented to achieve the optimum power performance from the AD7817 and AD7818. The devices operate in Mode 2, and the duration of CONVST pulse is set equal to the power-up time (2 µs). As the throughput rate of the device is reduced, the device remains in its power-down state longer, and the average power consumption over time drops accordingly.

For example, if the AD7817 operates in continuous sampling mode with a throughput rate of 10 kSPS, the power consumption is calculated as follows. The power dissipation during normal operation is 4.8 mW,  $V_{DD} = 3$  V. If the power-up time is 2 µs, and the conversion time is 9 µs, the AD7817 can typically dissipate 4.8 mW for 11 µs (worst case) during each conversion cycle. If the throughput rate is 10 kSPS, the cycle time is 100 µs, and the power dissipated while powered up during each cycle is  $(11/100) \times (4.8 \text{ mW}) = 528 \text{ µW}$  typical. Power dissipated while powered down during each cycle is  $(89/100) \times (3 \text{ V} \times 2 \text{ µA}) = 5.34 \text{ µW}$  typ. Overall power dissipated is  $528 \text{ µW} + 5.34 \text{ µW} = 533 \text{ µW}$ .

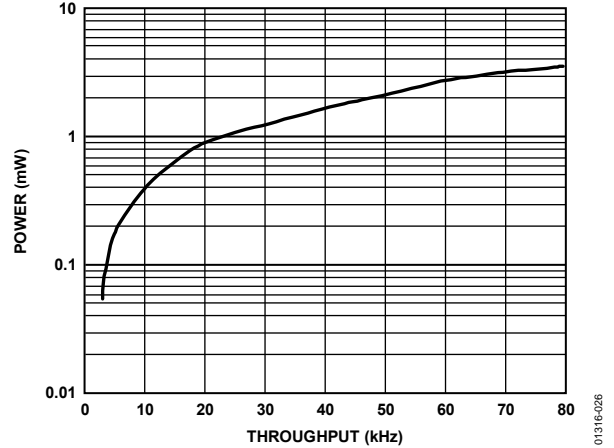


Figure 20. Power vs. Throughput Rate

**AD7817 SERIAL INTERFACE**

The serial interface on the AD7817 is a 5-wire interface that has read and write capabilities, with data being read from the output register via the D<sub>OUT</sub> line and data being written to the control register via the D<sub>IN</sub> line. The AD7817 operates in slave mode and requires an externally applied serial clock to the SCLK input to access data from the data register or write to the control byte. The RD/WR line is used to determine whether data is being written to or read from the AD7817. When data is being written to the AD7817, the RD/WR line is set logic low, and when data is being read from the device, the RD/WR line is set logic high (see Figure 21). The serial interface on the AD7817 is designed to allow the device to be interfaced to systems that provide a serial clock that is synchronized to the serial data, such as the 80C51, 87C51, 68HC11, 68HC05, and PIC16Cxx microcontrollers.

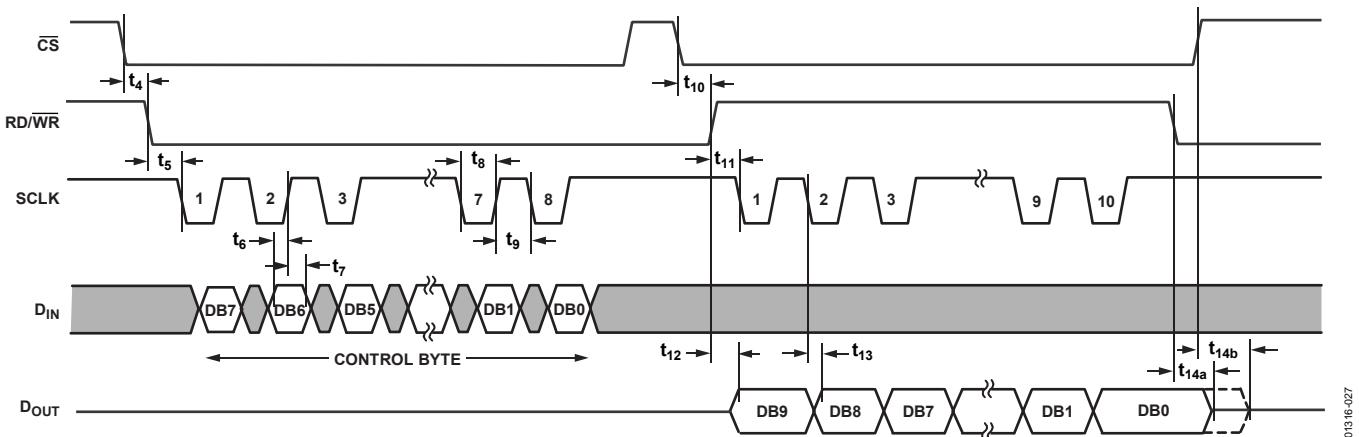


Figure 21. AD7817 Serial Interface Timing Diagram

### Read Operation

Figure 21 shows the timing diagram for a serial read from the AD7817.  $\overline{CS}$  is brought low to enable the serial interface, and  $\overline{RD}/\overline{WR}$  is set logic high to indicate that the data transfer is a serial read from the AD7817. The rising edge of  $\overline{RD}/\overline{WR}$  clocks out the first data bit (DB9), subsequent bits are clocked out on the falling edge of SCLK (except for the first falling SCLK edge) and are valid on the rising edge. During a read operation, 10 bits of data are transferred. However, a choice is available to only clock eight bits if the full 10 bits of the conversion result are not required. The serial data can be accessed in a number of bytes if 10 bits of data are being read. However,  $\overline{RD}/\overline{WR}$  must remain high for the duration of the data transfer operation. Before starting a new data read operation, the  $\overline{RD}/\overline{WR}$  signal must be brought low and high again. At the end of the read operation, the  $\overline{D}_{OUT}$  line enters a high impedance state on the rising edge of the  $\overline{CS}$ , or the falling edge of  $\overline{RD}/\overline{WR}$ , whichever occurs first. The readback process is a destructive process, in that once data is read back, it is erased. A conversion must be done again; otherwise, no data is read back.

### Write Operation

Figure 21 also shows the control byte write operation to the AD7817. The  $\overline{RD}/\overline{WR}$  input goes low to indicate to the device that a serial write is about to occur. The AD7817 control byte is loaded on the rising edge of the first eight clock cycles of the serial clock with data on all subsequent clock cycles being ignored. To carry out a second successive write operation, the  $\overline{RD}/\overline{WR}$  signal must be brought high and low again.

### Simplifying the Serial Interface

To minimize the number of interconnect lines to the AD7817, connect the  $\overline{CS}$  line to DGND. This is possible if the AD7817 is not sharing the serial bus with another device. It is also possible to tie the  $\overline{D}_{IN}$  and  $\overline{D}_{OUT}$  lines together. This arrangement is compatible with the 8051 microcontroller. The 68HC11, 68HC05, and PIC16Cxx can be configured to operate with a single serial data line. In this way, the number of lines required to operate the serial interface can be reduced to three, that is,  $\overline{RD}/\overline{WR}$ , SCLK, and  $\overline{D}_{IN}/\overline{D}_{OUT}$  (see Figure 8).

### AD7818 SERIAL INTERFACE MODE

The serial interface on the AD7818 is a 3-wire interface that has read and write capabilities. Data is read from the output register and the control byte is written to the AD7818 via the  $\overline{D}_{IN}/\overline{D}_{OUT}$  line. The AD7818 operates in slave mode and requires an externally applied serial clock to the SCLK input to access data from the data register or write to the control byte. The  $\overline{RD}/\overline{WR}$  line is used to determine whether data is being written to or read from the AD7818. When data is being written to the AD7818, the  $\overline{RD}/\overline{WR}$  line is set logic low, and when data is being read from the AD7818 the line is set logic high (see Figure 22). The serial interface on AD7818 is designed to allow the AD7818 to interface with systems that provide a serial clock that is synchronized to the serial data, such as the 80C51, 87C51, 68HC11, 68HC05, and PIC16Cxx microcontrollers.

### Read Operation

Figure 22 shows the timing diagram for a serial read from the AD7818. The  $\overline{RD}/\overline{WR}$  is set logic high to indicate that the data transfer is a serial read from the devices. When  $\overline{RD}/\overline{WR}$  is logic high, the  $\overline{D}_{IN}/\overline{D}_{OUT}$  pin becomes a logic output, and the first data bit (DB9) appears on the pin. Subsequent bits are clocked out on the falling edge of SCLK, starting with the second SCLK falling edge after  $\overline{RD}/\overline{WR}$  goes high, and are valid on the rising edge of SCLK. Ten bits of data are transferred during a read operation. However, a choice is available to only clock eight bits if the full 10 bits of the conversion result are not required. The serial data can be accessed in a number of bytes if 10 bits of data are being read. However,  $\overline{RD}/\overline{WR}$  must remain high for the duration of the data transfer operation. To carry out a successive read operation, the  $\overline{RD}/\overline{WR}$  pin must be brought logic low and high again. At the end of the read operation, the  $\overline{D}_{IN}/\overline{D}_{OUT}$  pin becomes a logic input on the falling edge of  $\overline{RD}/\overline{WR}$ .

### Write Operation

A control byte write operation to the AD7818 is also shown in Figure 22. The  $\overline{RD}/\overline{WR}$  input goes low to indicate to the device that a serial write is about to occur. The AD7818 control bytes are loaded on the rising edge of the first eight clock cycles of the serial clock with data on all subsequent clock cycles being ignored. To carry out a successive write to the AD7818 the  $\overline{RD}/\overline{WR}$  pin must be brought logic high and low again.

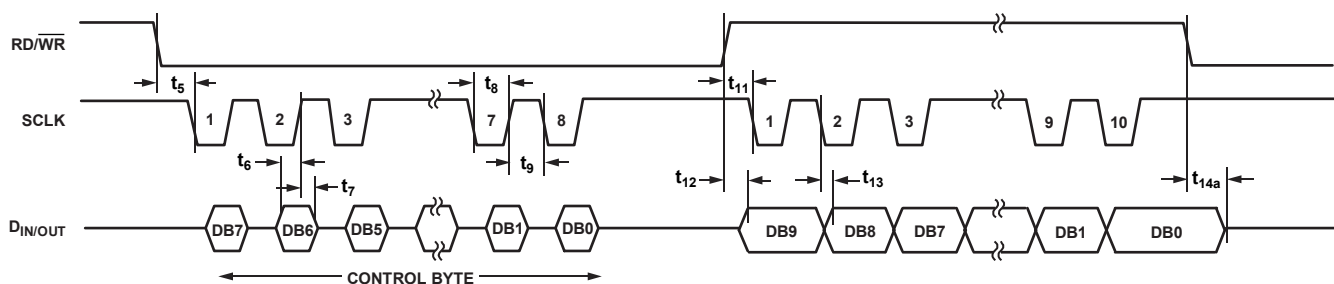
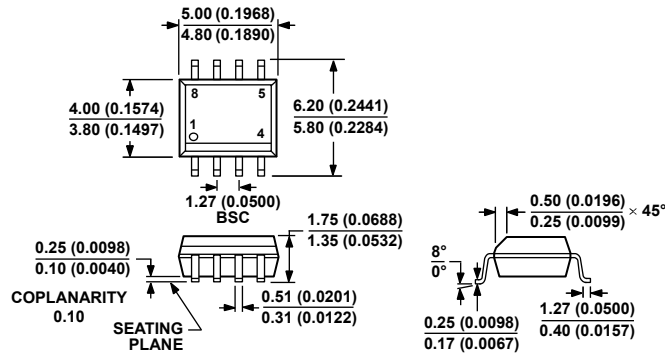


Figure 22. AD7818 Serial Interface Timing Diagram

01316-028

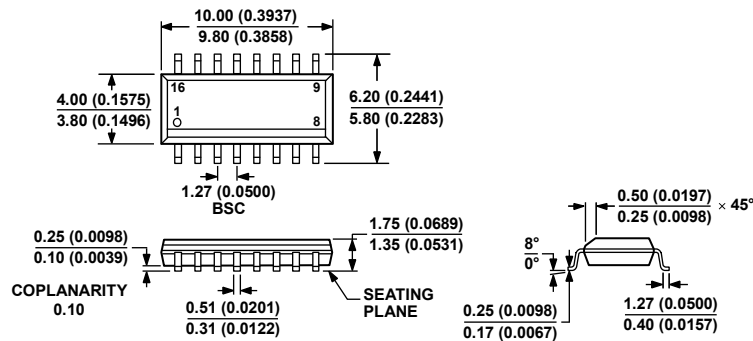
OUTLINE DIMENSIONS



COMPLIANT TO JEDEC STANDARDS MS-012-AA  
 CONTROLLING DIMENSIONS ARE IN MILLIMETERS; INCH DIMENSIONS (IN PARENTHESES) ARE ROUNDED-OFF MILLIMETER EQUIVALENTS FOR REFERENCE ONLY AND ARE NOT APPROPRIATE FOR USE IN DESIGN.

Figure 23. 8-Lead Standard Small Outline Package [SOIC\_N] Narrow Body (R-8)

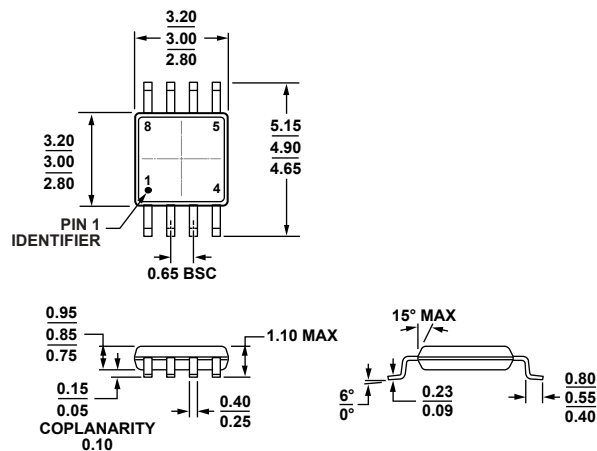
Dimensions shown in millimeters and (inches)



COMPLIANT TO JEDEC STANDARDS MS-012-AC  
 CONTROLLING DIMENSIONS ARE IN MILLIMETERS; INCH DIMENSIONS (IN PARENTHESES) ARE ROUNDED-OFF MILLIMETER EQUIVALENTS FOR REFERENCE ONLY AND ARE NOT APPROPRIATE FOR USE IN DESIGN.

Figure 24. 16-Lead Standard Small Outline Package [SOIC\_N] Narrow Body (R-16)

Dimensions shown in millimeters and (inches)



COMPLIANT TO JEDEC STANDARDS MO-187-AA

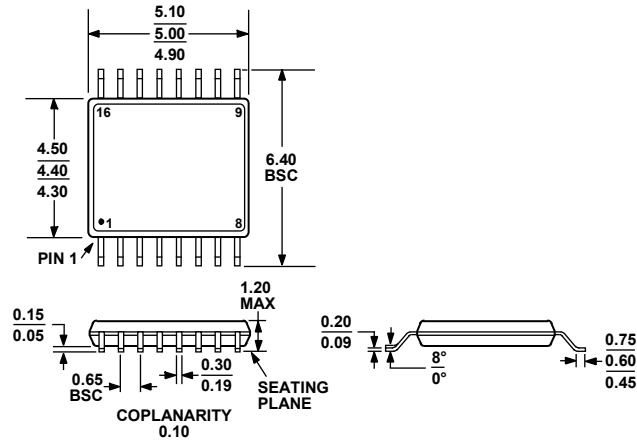
Figure 25. 8-Lead Mini Small Outline Package [MSOP] (RM-8)

Dimensions shown in millimeters

012407-A

060606-A

10-07-2008-B



COMPLIANT TO JEDEC STANDARDS MO-153-AB

Figure 26. 16-Lead Thin Shrink Small Outline Package [TSSOP]  
(RU-16)

Dimensions shown in millimeters

## ORDERING GUIDE

Model <sup>1</sup>	Temperature Range	Temperature Error at 25°C	Package Description	Package Option	Branding
AD7817ARZ	-40°C to +85°C	±2°C	16-Lead SOIC_N	R-16	
AD7817ARZ-REEL7	-40°C to +85°C	±2°C	16-Lead SOIC_N	R-16	
AD7817ARU	-40°C to +85°C	±2°C	16-Lead TSSOP	RU-16	
AD7817ARU-REEL7	-40°C to +85°C	±2°C	16-Lead TSSOP	RU-16	
AD7817ARUZ	-40°C to +85°C	±2°C	16-Lead TSSOP	RU-16	
AD7817ARUZ-REEL7	-40°C to +85°C	±2°C	16-Lead TSSOP	RU-16	
AD7817BRZ	-40°C to +85°C	±2°C	16-Lead SOIC_N	R-16	
AD7817BRZ-REEL	-40°C to +85°C	±2°C	16-Lead SOIC_N	R-16	
AD7817BRZ-REEL7	-40°C to +85°C	±2°C	16-Lead SOIC_N	R-16	
AD7817BRU	-40°C to +85°C	±1°C	16-Lead TSSOP	RU-16	
AD7817BRU-REEL7	-40°C to +85°C	±1°C	16-Lead TSSOP	RU-16	
AD7817BRUZ	-40°C to +85°C	±1°C	16-Lead TSSOP	RU-16	
AD7817BRUZ-REEL	-40°C to +85°C	±1°C	16-Lead TSSOP	RU-16	
AD7817BRUZ-REEL7	-40°C to +85°C	±1°C	16-Lead TSSOP	RU-16	
AD7817SR	-40°C to +85°C	±2°C	16-Lead SOIC_N	R-16	
AD7818ARZ-REEL7	-40°C to +85°C	±2°C	8-Lead SOIC_N	R-8	
AD7818ARM	-40°C to +85°C	±2°C	8-Lead MSOP	RM-8	C3A
AD7818ARMZ	-40°C to +85°C	±2°C	8-Lead MSOP	RM-8	T1P
AD7818ARMZ-REEL	-40°C to +85°C	±2°C	8-Lead MSOP	RM-8	T1P
AD7818ARMZ-REEL7	-40°C to +85°C	±2°C	8-Lead MSOP	RM-8	T1P

<sup>1</sup> Z = RoHS Compliant Part.

## X-ON Electronics

Largest Supplier of Electrical and Electronic Components

*Click to view similar products for [Analog to Digital Converters - ADC category](#):*

*Click to view products by [Analog Devices manufacturer](#):*

Other Similar products are found below :

[ADC0804LCD](#) [ADC0808](#) [MCP37211-200I/TE](#) [MAX15511TGTL+](#) [MCP33141-10T-E/MS](#) [MCP33141D-05T-E/MS](#) [MCP33151D-05T-E/MS](#)  
[MCP3202T-CI/MS](#) [MCP33141-05T-E/MS](#) [MCP33141D-10T-E/MS](#) [MCP33151-05T-E/MS](#) [MCP33151-10T-E/MS](#) [ADE1201ACCZ](#)  
[ADE1202ACCZ](#) [LTC1090CN](#) [LTC1605IG](#) [LTC1605AIG](#) [LTC2208IUP](#) [ADS1282HPW](#) [LTC1297DCN8](#) [LTC1741CFW](#) [MCP3422A0-](#)  
[E/MS](#) [MCP3426A2-E/MC](#) [MCP3426A3-E/MC](#) [MCP3427-E/MF](#) [TLC0820ACN](#) [TLC2543IN](#) [TLV2543IDW](#) [NCD9830DBR2G](#)  
[ADS5231IPAG](#) [ADS7807U](#) [ADS7891IPFBT](#) [ADS8328IBPW](#) [AMC1204BDWR](#) [ADS7959QDBTRQ1](#) [ADS7807UB](#) [ADS7805UB](#)  
[ADS1220IPWR](#) [MCP3426A0-E/MS](#) [MCP3423-E/UN](#) [MCP3422A0-E/MC](#) [AD9220AR](#) [MAX11123ATI+](#) [MAX11212AEUB+](#)  
[MAX11135ATI+](#) [TLV1570CDW](#) [TLC3574IDWR](#) [TLC0838CDWR](#) [AD7714ARZ-5REEL](#) [AD7914BRUZ-REEL7](#)