

FEATURES

Integrated active load and gain of 1 buffer

Very low buffer power consumption

As low as 20 mW on chip

Power save feature to reduce active load current by GPO control

High buffer speed

400 MHz, -3 dB bandwidth

415 V/ μ s slew rate

Fast settling time to 1%, 2 V step: 5 ns

Adjustable buffer bandwidth

Push-pull output stage

Adjustable active load current

Known Good Die (KGD): these die are fully guaranteed to data sheet specifications.

APPLICATIONS

CCD image sensor output buffer

Digital still cameras

Camcorders

GENERAL DESCRIPTION

The [ADA4800-KGD](#) is voltage buffer integrated with an active load. The buffer is a low power, high speed, low noise, high slew rate, fast settling, fixed gain of 1 monolithic amplifier for charge-coupled device (CCD) applications. For CCD applications, the active load current source (I_{AL}) can load the open source CCD sensor outputs, and the buffer can drive the AFE load. The active current load can also be switched off to use the [ADA4800-KGD](#) as a unity-gain buffer. The buffer consumes only 20 mW of static power. In applications where power savings is critical, the [ADA4800-KGD](#) features a power save mode that further reduces the total current consumption. The bandwidth of the [ADA4800-KGD](#) buffer is also fully adjustable through the IDR_V pin.

The buffer of the [ADA4800-KGD](#) employs a push-pull output stage architecture, providing drive current and maximum slew capability for both rising and falling signal transitions. At a 4.7 mA quiescent current setting, it provides 400 MHz, -3 dB bandwidth, which makes this buffer well suited for CCD sensors from machine vision to digital still camera applications.

FUNCTIONAL BLOCK DIAGRAM

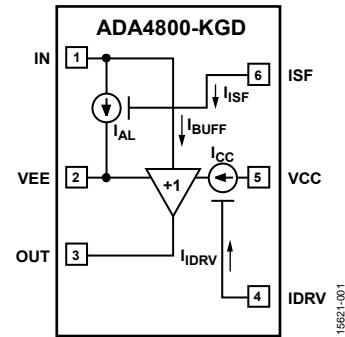


Figure 1.

The [ADA4800-KGD](#) is ideal for driving the input of the Analog Devices, Inc., 12-bit and 14-bit high resolution analog front ends (AFE), such as the [AD9928](#), the [AD9990](#), the [AD9920A](#), the [AD9923A](#), and the [AD9970](#) to [AD9979](#) family.

The versatility of the [ADA4800-KGD](#) allows for seamless interfacing with many CCD sensors from various manufacturers.

The [ADA4800-KGD](#) operates at supply voltages as low as 4 V and up to 17 V.

Additional application and technical information can be found in the [ADA4800](#) data sheet.

TABLE OF CONTENTS

Features	1	Absolute Maximum Ratings	4
Applications.....	1	ESD Caution.....	4
Functional Block Diagram	1	Pin Configuration and Function Descriptions.....	5
General Description	1	Test Circuit	6
Revision History	2	Outline Dimensions	7
Specifications.....	3	Die Specifications and Assembly Recommendations	7
Buffer Electrical Characteristics.....	3	Ordering Guide	7
Active Current Load Electrical Characteristics.....	3		

REVISION HISTORY

4/2017—Revision 0: Initial Version

SPECIFICATIONS

BUFFER ELECTRICAL CHARACTERISTICS

$T_A = 25^\circ\text{C}$, $V_{CC} = 15\text{ V}$, $V_{EE} = 0\text{ V}$, $R_{IDRV} = 249\text{ k}\Omega$ connected to V_{IDRV} , $R_{LOAD} = 1\text{ k}\Omega$ in parallel with 22 pF in series with $10\text{ }\Omega$, $V_{IN} = 7.5\text{ V}$, unless otherwise noted (see Figure 3 for the test circuit).

Table 1.

Parameter	Test Conditions/Comments	Min	Typ	Max	Unit
GAIN					
Voltage Gain	$V_{IN} = 6.5\text{ V to }8.5\text{ V}$, $R_{ISF} = 0\text{ }\Omega$	0.995	0.998	1.005	V/V
INPUT/OUTPUT CHARACTERISTICS					
Offset Voltage	$R_{IDRV} = 249\text{ k}\Omega$, $V_{IDRV} = 15\text{ V}$		30	41	mV
IDRV Current			52	59	μA
Voltage Range		$V_{EE} + 1.4$		$V_{CC} - 1.4$	V
Input Bias Current (I_{BUFF})			1		μA
DYNAMIC PERFORMANCE					
-3 dB Bandwidth	$R_{IDRV} = 300\text{ k}\Omega$, $I_{CC} = 1.1\text{ mA}$, $V_{OUT} = 0.1\text{ V p-p}$		182		MHz
	$R_{IDRV} = 150\text{ k}\Omega$, $I_{CC} = 2.1\text{ mA}$, $V_{OUT} = 0.1\text{ V p-p}$		288		MHz
	$R_{IDRV} = 50\text{ k}\Omega$, $I_{CC} = 4.7\text{ mA}$, $V_{OUT} = 0.1\text{ V p-p}$		400		MHz
Slew Rate	$V_{OUT} = 2\text{ V step}$		415		V/ μs
Rise Time	$V_{IN} = 7.5\text{ V to }8.5\text{ V}$, 10% to 90%		2.2		ns
Fall Time	$V_{IN} = 8.5\text{ V to }7.5\text{ V}$, 10% to 90%		1.8		ns
1% Settling Time	$V_{IN} = 9.5\text{ V to }7.5\text{ V}$ (falling edge)		5		ns
	$V_{IN} = 7.5\text{ V to }9.5\text{ V}$ (rising edge)		4.5		ns
	$V_{IN} = 8.5\text{ V to }7.5\text{ V}$ (falling edge)		4.5		ns
	$V_{IN} = 7.5\text{ V to }8.5\text{ V}$ (rising edge)		4		ns
Input/Output Delay Time	$V_{IN} = 8.5\text{ V to }7.5\text{ V}$ (falling edge)		0.4		ns
	$V_{IN} = 7.5\text{ V to }8.5\text{ V}$ (rising edge)		0.35		ns
Output Voltage Noise	At 20 MHz		1.5		nV/ $\sqrt{\text{Hz}}$
POWER SUPPLY					
Supply Voltage Range		4	15	17	V
Supply Current (I_{CC})			1.4	1.8	mA
OPERATING TEMPERATURE RANGE		-40		+85	$^\circ\text{C}$

ACTIVE CURRENT LOAD ELECTRICAL CHARACTERISTICS

$T_A = 25^\circ\text{C}$, $V_{EE} = 0\text{ V}$, $V_{ISF} = 3\text{ V}$, $R_{ISF} = 10\text{ k}\Omega$ connected to V_{ISF} , $V_{IN} = 7.5\text{ V}$, unless otherwise noted (see Figure 3 for a test circuit).

Table 2.

Parameter	Test Conditions/Comments	Min	Typ	Max	Unit
INPUT/OUTPUT CHARACTERISTICS					
Active Load Current (I_{AL})	$V_{ISF} = 0\text{ V}$		1		μA
	$V_{ISF} = 3\text{ V}$		3		mA
	$V_{ISF} = 7.5\text{ V}$		12.7		mA
ISF Current (I_{ISF})	$R_{ISF} = 10\text{ k}\Omega$		111	120	μA
Input Voltage Range		$V_{EE} + 1.7$		V_{CC}	V
OPERATING TEMPERATURE RANGE		-40		+85	$^\circ\text{C}$

ABSOLUTE MAXIMUM RATINGS

T_A = 25°C, unless otherwise noted.

Table 3.

Parameter	Rating
Supply Voltage	18 V
Input Voltage Range	V _{EE} to V _{CC}
ISF Pin Range	V _{EE} to V _{CC}
IDRV Pin Range	V _{EE} to V _{CC}
Storage Temperature Range	-65°C to +150°C
Operating Temperature Range	-40°C to +85°C
Junction Temperature Range	-65°C to +150°C

Stresses at or above those listed under Absolute Maximum Ratings may cause permanent damage to the product. This is a stress rating only; functional operation of the product at these or any other conditions above those indicated in the operational section of this specification is not implied. Operation beyond the maximum operating conditions for extended periods may affect product reliability.

ESD CAUTION



ESD (electrostatic discharge) sensitive device. Charged devices and circuit boards can discharge without detection. Although this product features patented or proprietary protection circuitry, damage may occur on devices subjected to high energy ESD. Therefore, proper ESD precautions should be taken to avoid performance degradation or loss of functionality.

PIN CONFIGURATION AND FUNCTION DESCRIPTIONS

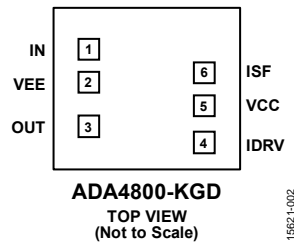


Figure 2. Pin Configuration

Table 4. Pin Function Descriptions

Pin No.	Mnemonic	X-Axis (μm)	Y-Axis (μm)	Type	Description
1	IN	-136	+94	Input	Input. Connect this pad to the CCD sensor output.
2	VEE	-136	+14	Input	Negative Power Supply Voltage.
3	OUT	-136	-88	Output	Output. Connect this pad to the AFE input.
4	IDRV	+136	-125	Input	Bandwidth Adjustment Pad. Connect this pad to VCC or an external voltage with an external resistor. This pad allows bandwidth to be controlled by adjusting I_{CC} . This pad can also be used to power down the buffer.
5	VCC	+136	-45	Input	Positive Power Supply Voltage.
6	ISF	+136	+35	Input	Active Load Current Adjustment Pad. Connect to VCC or an external voltage with an external resistor. This pad can also be connected to the microcontroller logic output through an external resistor for power save mode. This pad can also be used to power down the active current load.

TEST CIRCUIT

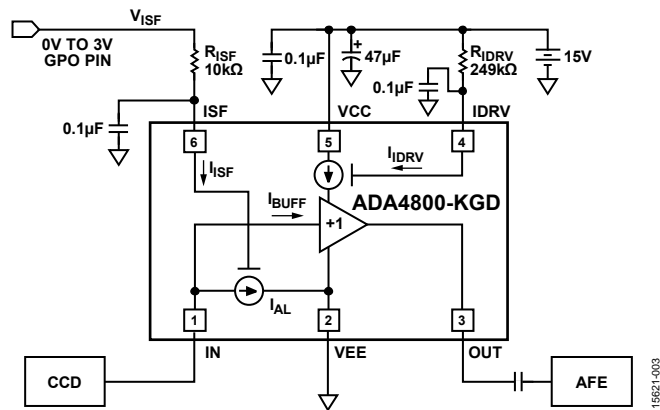


Figure 3. Typical Current Flow

15621-003

OUTLINE DIMENSIONS

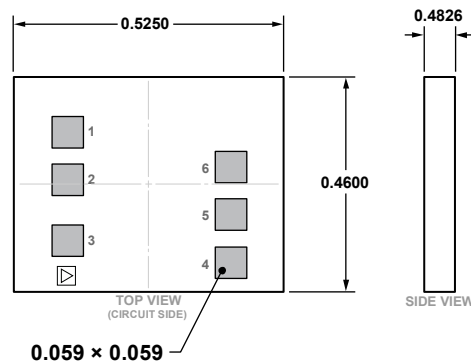


Figure 4. 6-Pad Bare Die [CHIP]
(C-6-11)
Dimensions shown in millimeters

DIE SPECIFICATIONS AND ASSEMBLY RECOMMENDATIONS

Table 5. Die Specifications

Parameter	Value	Unit
Scribe Line Width	75	μm
Die Size (Maximum Size)	525 × 460	μm
Thickness	482.6	μm
Bond Pads (Minimum Size)	59 × 59	μm
Bond Pad Composition	AlCu (0.5%)	%
Backside	None	Not applicable
Passivation	Doped oxide/SiN	Not applicable
ESD, Human Body Model (HBM)	2000	V

Table 6. Assembly Recommendations

Assembly Component	Recommendation
Die Attach	Hitachi EN4900GC
Bonding Method	0.8 mil gold
Bonding Sequence	1, 2, 3, 4, 5, 6

ORDERING GUIDE

Model	Temperature Range	Package Description	Package Option
ADA4800-KGD-WP	−40°C to +85°C	6-Pad Bare Die [CHIP]	C-6-11

X-ON Electronics

Largest Supplier of Electrical and Electronic Components

Click to view similar products for [High Speed Operational Amplifiers](#) category:

Click to view products by [Analog Devices](#) manufacturer:

Other Similar products are found below :

[NJU7047RB1-TE2](#) [LTC6226IS8#PBF](#) [LTC6226HS8#PBF](#) [LT1058ACN](#) [LT1206CR](#) [LT1058ISW](#) [OPA2677IDDAR](#) [THS6042ID](#)
[THS4221DBVR](#) [THS4081CD](#) [ADA4858-3ACPZ-R7](#) [LT6202IS5#TRMPBF](#) [LT1206CR#PBF](#) [LTC6253CMS8#PBF](#) [LT1813CDD#PBF](#)
[ADA4851-4YRUZ-RL](#) [LT1037IN8#PBF](#) [LTC6401CUD-20#PBF](#) [LT1192CN8#PBF](#) [LTC6401IUD-26#PBF](#) [LT1037ACN8#PBF](#)
[LTC6253CTS8#TRMPBF](#) [LT1399HVCS#PBF](#) [LT1993CUD-2#PBF](#) [LT1722CS8#PBF](#) [LT1208CN8#PBF](#) [LT1222CN8#PBF](#)
[LT6203IDD#PBF](#) [LT6411IUD#PBF](#) [LTC6400CUD-26#PBF](#) [LTC6400CUD-8#PBF](#) [LT6211IDD#PBF](#) [OP27EN8#PBF](#) [LT1810IMS8#PBF](#)
[OP37EN8#PBF](#) [LTC6253IMS8#PBF](#) [LT1360CS8](#) [OPA2132PAG4](#) [OPA2353UA/2K5](#) [OPA2691I-14D](#) [OPA4353UA/2K5](#) [OPA690IDRG4](#)
[LMH6723MFX/NOPB](#) [ADP5302ACPZ-3-R7](#) [AD8007AKSZ-REEL7](#) [AD8008ARMZ](#) [AD8009JRTZ-REEL7](#) [AD8010ANZ](#) [AD8014ARTZ-](#)
[REEL7](#) [AD8016AREZ](#)