

FEATURES

Programmable FastDSP audio processing engine
Up to 768 kHz sample rate
Biquad filters, limiters, volume controls, mixing

28-bit SigmaDSP audio processing core
Visually programmable using [SigmaStudio](#)
Up to 50 MIPS performance

Low latency, 24-bit ADCs and DACs
96 dB SNR (signal through PGA and ADC with A-weighted filter)
105 dB combined SNR (signal through DAC and headphone with A-weighted filter)

Serial port f_{SYNC} frequency from 8 kHz to 768 kHz
5 μs group delay ($f_s = 768 \text{ kHz}$) analog in to analog out with FastDSP bypass (zero instructions)

4 single-ended analog inputs, configurable as microphone or line inputs

8 digital microphone inputs

2 analog differential audio outputs, configurable as either line output or headphone driver

PLL supporting any input clock rate from 30 kHz to 27 MHz

Full-duplex, 4-channel ASRCs

2, 16-channel serial audio ports supporting I²S, left justified, or up to TDM16

8 interpolators and 8 decimators with flexible routing

Power supplies
Analog AVDD at 1.8 V typical
Digital I/O IOVDD at 1.1 V to 1.98 V

Digital DVDD at 0.9 V typical

Low power (11.079 mW for typical stereo ANC settings)
I²C and SPI control interfaces, self boot from I²C EEPROM
Flexible GPIO
42-ball, 0.35 mm pitch, 2.695 mm \times 2.320 mm WLCSP

APPLICATIONS

Noise cancelling handsets, headsets, and headphones
Bluetooth ANC handsets, headsets, and headphones
Personal navigation devices
Digital still and video cameras
Musical instrument effect processors
Multimedia speaker systems
Smartphones

GENERAL DESCRIPTION

The ADAU1787 is a codec with four inputs and two outputs that incorporates two digital signal processors (DSPs). The path from the analog input to the DSP core to the analog output is optimized for low latency and is ideal for noise cancelling headsets. With the addition of just a few passive components, the ADAU1787 provides a complete headset solution.

Note that throughout this data sheet, multifunction pins, such as BCLK_0/MP1, are referred to either by the entire pin name or by a single function of the pin, for example, BCLK_0, when only that function is relevant.

TABLE OF CONTENTS

Features	1	Interpolation and Decimation Blocks	39
Applications.....	1	Signal Levels.....	39
General Description	1	FastDSP Core	40
Revision History	5	Instructions	40
Functional Block Diagram	6	Filter Precision.....	40
Specifications.....	7	Flags and Conditional Execution.....	40
Analog Performance Specifications	7	Input Sources	40
Crystal Amplifier Specifications.....	9	Power and Run Control.....	41
Digital Input and Output Specifications	9	Data Memory.....	41
Power Supply Specifications.....	10	Parameters.....	41
Power-Down Current	10	Parameter Bank Switching.....	41
Typical Power Consumption.....	10	Parameter Bank Copying	41
Digital Filters.....	11	Parameter Memory Access.....	42
Digital Timing Specifications	12	FastDSP Parameter Safeload.....	42
Absolute Maximum Ratings.....	16	SigmaDSP Core	43
Thermal Resistance	16	Read/Write Data Formats	44
ESD Caution.....	16	Software Safeload	45
Pin Configuration and Function Descriptions.....	17	FastDSP Safeload.....	45
Typical Performance Characteristics	20	Program RAM, Parameter RAM, and Data RAM	46
System Block Diagram	27	Program RAM	46
Theory of Operation	28	Parameter RAM.....	46
System Clocking and Power-Up.....	29	Data RAM	46
Power-Down Operation and Options	29	Power Saving Options.....	47
Example ADC to DAC Power-up.....	30	Control Port	49
DVDD LDO Regulator	30	Burst Mode Communication.....	49
Clock Initialization.....	30	Reading and Writing to Memories	50
PLL	31	I ² C Port	50
Multichip Phase Synchronization	32	SPI Port.....	53
Clock Output.....	32	Self Boot.....	54
Power Supply Sequencing	32	Multipurpose Pins.....	56
Signal Routing.....	33	Serial Data Ports	57
Input Signal Paths.....	34	Applications Information	59
Analog Inputs.....	34	Power Supply Bypass Capacitors.....	59
Digital Microphone Inputs.....	35	Layout	59
ADCs.....	36	Grounding.....	59
Output Signal Paths.....	37	PCB Stackup.....	59
Analog Outputs.....	37	Register Summary	60
DACs	37	Register Details	67
PDM Outputs.....	38	ADI Vendor ID Register.....	67
ASRCs	38	Device ID Registers.....	67

Revision Code Register	67	PGA Channel 3 Gain Control LSBs Register	92
ADC, DAC, Headphone Power Controls Register	68	PGA Slew Rate and Gain Link Register	93
PLL, Microphone Bias, and PGA Power Controls Register ..	69	Microphone Bias Level and Current Register	93
Digital Microphone Power Controls Register	70	Digital Microphone Clock Rate Control Register	94
Serial Port, PDM Output, and Digital Microphone CLK Power Controls Register	71	Digital Microphone Channel 0 and Channel 1 Rate, Order, Mapping, and Edge Control Register	95
DSP Power Controls Register	72	Digital Microphone Channel 2 and Channel 3 Rate, Order, Mapping, and Edge Control Register	96
ASRC Power Controls Register	72	Digital Microphone Channel 4 and Channel 5 Rate, Order, Mapping, and Edge Control Register	97
Interpolator Power Controls Register	73	Digital Microphone Channel 6 and Channel 7 Rate, Order, Mapping, and Edge Control Register	98
Decimator Power Controls Register	74	Digital Microphone Volume Options Register	99
State Retention Controls Register	75	Digital Microphone Channel Mute Controls Register	100
Chip Power Control Register	76	Digital Microphone Channel 0 Volume Control Register ..	101
Clock Control Register	77	Digital Microphone Channel 1 Volume Control Register ..	102
PLL Input Divider Register	78	Digital Microphone Channel 2 Volume Control Register ..	103
PLL Feedback Integer Divider (LSBs Register)	78	Digital Microphone Channel 3 Volume Control Register ..	104
PLL Feedback Integer Divider (MSBs Register)	78	Digital Microphone Channel 4 Volume Control Register ..	105
PLL Fractional Numerator Value (LSBs Register)	78	Digital Microphone Channel 5 Volume Control Register ..	106
PLL Fractional Numerator Value (MSBs Register)	79	Digital Microphone Channel 6 Volume Control Register ..	107
PLL Fractional Denominator (LSBs Register)	79	Digital Microphone Channel 7 Volume Control Register ..	108
PLL Fractional Denominator (MSBs Register)	79	DAC Sample Rate, Filtering, and Power Controls Register	109
PLL Update Register	79	DAC Volume Link, High-Pass Filter (HPF), and Mute Controls Register	110
ADC Sample Rate Control Register	80	DAC Channel 0 Volume Register	111
ADC I _{BIAS} Controls Register	81	DAC Channel 1 Volume Register	112
ADC HPF Control Register	81	DAC Channel 0 Routing Register	113
ADC Mute and Compensation Control Register	82	DAC Channel 1 Routing Register	115
Analog Input Precharge Time Register	83	Headphone Control Register	117
ADC Channel Mutes Register	84	Fast to Slow Decimator Sample Rates Channel 0 and Channel 1 Register	117
ADC Channel 0 Volume Control Register	85	Fast to Slow Decimator Sample Rates Channel 2 and Channel 3 Register	118
ADC Channel 1 Volume Control Register	86	Fast to Slow Decimator Sample Rates Channel 4 and Channel 5 Register	119
ADC Channel 2 Volume Control Register	87	Fast to Slow Decimator Sample Rates Channel 6 and Channel 7 Register	120
ADC Channel 3 Volume Control Register	88	Fast to Slow Decimator Channel 0 Input Routing Register	121
PGA Channel 0 Gain Control MSBs, Mute, Boost, Slew Register	89	Fast to Slow Decimator Channel 1 Input Routing Register	122
PGA Channel 0 Gain Control LSBs Register	89	Fast to Slow Decimator Channel 2 Input Routing Register	124
PGA Channel 1 Gain Control MSBs, Mute, Boost, Slew Register	90	Fast to Slow Decimator Channel 3 Input Routing Register	125
PGA Channel 1 Gain Control LSBs Register	90	Fast to Slow Decimator Channel 4 Input Routing Register	127
PGA Channel 2 Gain Control MSBs, Mute, Boost, Slew Register	91		
PGA Channel 2 Gain Control LSBs Register	91		
PGA Channel 3 Gain Control MSBs, Mute, Boost, Slew Register	92		

Fast to Slow Decimator Channel 5 Input Routing Register.....	128	FastDSP Modulo N Counter for Lower Rate Conditional Execution Register	167
Fast to Slow Decimator Channel 6 Input Routing Register.....	130	FastDSP Generic Conditional Execution Registers.....	168
Fast to Slow Decimator Channel 7 Input Routing Register.....	131	FastDSP Safeload Address Register.....	169
Slow to Fast Interpolator Sample Rates Channel 0 and Channel 1 Register	133	FastDSP Safeload Parameter 0 Value Registers	169
Slow to Fast Interpolator Sample Rates Channel 2 and Channel 3 Register	134	FastDSP Safeload Parameter 1 Value Registers	170
Slow to Fast Interpolator Sample Rates Channel 4 and Channel 5 Register	135	FastDSP Safeload Parameter 2 Value Registers	171
Slow to Fast Interpolator Sample Rates Channel 6 and Channel 7 Register	136	FastDSP Safeload Parameter 3 Value Registers	172
Slow to Fast Interpolator Channel 0 Input Routing Register	137	FastDSP Safeload Parameter 4 Value Registers	173
Slow to Fast Interpolator Channel 1 Input Routing Register	139	FastDSP Safeload Update Register.....	174
Slow to Fast Interpolator Channel 2 Input Routing Register	141	SigmaDSP Frame Rate Source Select Register	174
Slow to Fast Interpolator Channel 3 Input Routing Register	143	SigmaDSP Run Register	175
Slow to Fast Interpolator Channel 4 Input Routing Register	145	SigmaDSP Watchdog Controls Register.....	176
Slow to Fast Interpolator Channel 5 Input Routing Register	147	SigmaDSP Watchdog Value Registers	176
Slow to Fast Interpolator Channel 6 Input Routing Register	149	SigmaDSP Modulo Data Memory Start Position Registers	177
Slow to Fast Interpolator Channel 7 Input Routing Register	151	SigmaDSP Fixed Frame Rate Divisor Registers	177
Input ASRC Control, Source, and Rate Selection Register .	153	SigmaDSP Set Interrupts Register.....	178
Input ASRC Channel 0 and Channel 1 Input Routing Register	154	MultiPurpose Pin 0 and Pin 1 Mode Select Register.....	179
Input ASRC Channel 2 and Channel 3 Input Routing Register	155	MultiPurpose Pin 2 and Pin 3 Mode Select Register.....	180
Output ASRC Control Register	156	MultiPurpose Pin 4 and Pin 5 Mode Select Register.....	181
Output ASRC Channel 0 Input Routing Register	157	MultiPurpose Pin 6 and Pin 7 Mode Select Register.....	182
Output ASRC Channel 1 Input Routing Register	158	MultiPurpose Pin 8 and Pin 9 Mode Select Register.....	183
Output ASRC Channel 2 Input Routing Register	160	MultiPurpose Pin 10 and Pin 11 Mode Select Register	184
Output ASRC Channel 3 Input Routing Register	161	General-Purpose Input Debounce Control and Master Clock Output Rate Selection Register.....	185
FastDSP Run Register	163	General-Purpose Outputs Control Pin 0 to Pin 7 Register	186
FastDSP Current Bank and Bank Ramping Controls Register	163	General-Purpose Outputs Control Pin 8 to Pin 10 Register ...	187
FastDSP Bank Ramping Stop Point Register	164	FSYNC_0 Pin Controls Register	188
FastDSP Bank Copying Register	165	BCLK_0 Pin Controls Register.....	189
FastDSP Frame Rate Source Register.....	166	SDATAO_0 Pin Control Register.....	189
FastDSP Fixed Rate Division MSBs Register	166	SDATAI_0 Pin Controls Register.....	190
FastDSP Fixed Rate Division LSBs Register	167	FSYNC_1 Pin Controls Register	191
		BCLK_1 Pin Controls Register.....	192
		SDATAO_1 Pin Controls Register	193
		SDATAI_1 Pin Controls Register.....	194
		DMIC_CLK0 Pin Controls Register.....	195
		DMIC_CLK1 Pin Controls Register.....	196
		DMIC01 Pin Controls Register	197
		DMIC23 Pin Controls Register	198
		SDA/MISO Pin Controls Register	198
		IRQ Signaling and Clearing Register.....	199
		IRQ1 Masking Registers	200

IRQ2 Masking Registers.....	203	Serial Port 0 Output Routing Slot 15 Register	241
Chip Resets Register	205	Serial Port 1 Control 1 Register	243
FastDSP Current Lambda Register	206	Serial Port 1 Control 2 Register	244
Chip Status 1 Register.....	207	Serial Port 1 Output Routing Slot 0 (Left Register).....	245
Chip Status 2 Register.....	208	Serial Port 1 Output Routing Slot 1 (Right Register).....	246
General-Purpose Input Read 0 to Input Read 7 Register ...	209	Serial Port 1 Output Routing Slot 2 Register.....	248
General-Purpose Input Read 8 to Input Read 10 Register	210	Serial Port 1 Output Routing Slot 3 Register.....	249
DSP Status Register.....	210	Serial Port 1 Output Routing Slot 4 Register.....	251
IRQ1 Status 1 Register.....	211	Serial Port 1 Output Routing Slot 5 Register.....	252
IRQ1 Status 2 Register.....	212	Serial Port 1 Output Routing Slot 6 Register.....	254
IRQ1 Status 3 Register.....	213	Serial Port 1 Output Routing Slot 7 Register.....	255
IRQ2 Status 1 Register.....	214	Serial Port 1 Output Routing Slot 8 Register.....	257
IRQ2 Status 2 Register.....	215	Serial Port 1 Output Routing Slot 9 Register.....	258
IRQ2 Status 3 Register.....	216	Serial Port 1 Output Routing Slot 10 Register	260
Serial Port 0 Control 1 Register.....	217	Serial Port 1 Output Routing Slot 11 Register	261
Serial Port 0 Control 2 Register.....	218	Serial Port 1 Output Routing Slot 12 Register	263
Serial Port 0 Output Routing Slot 0 (Left Register).....	219	Serial Port 1 Output Routing Slot 13 Register	264
Serial Port 0 Output Routing Slot 1 (Right Register)	220	Serial Port 1 Output Routing Slot 14 Register	266
Serial Port 0 Output Routing Slot 2 Register.....	222	Serial Port 1 Output Routing Slot 15 Register	267
Serial Port 0 Output Routing Slot 3 Register.....	223	MP12 Pin Control Register.....	269
Serial Port 0 Output Routing Slot 4 Register.....	225	SELFB00T Pin Controls Register	270
Serial Port 0 Output Routing Slot 5 Register.....	226	SW_EN Pin Controls Register	271
Serial Port 0 Output Routing Slot 6 Register.....	228	PDM Sample Rate and Filtering Control Register	272
Serial Port 0 Output Routing Slot 7 Register.....	229	PDM Muting, High-Pass, and Volume Options Register.....	273
Serial Port 0 Output Routing Slot 8 Register.....	231	PDM Output Channel 0 Volume Register	274
Serial Port 0 Output Routing Slot 9 Register.....	232	PDM Output Channel 1 Volume Register	275
Serial Port 0 Output Routing Slot 10 Register.....	234	PDM Output Channel 0 Routing Register	276
Serial Port 0 Output Routing Slot 11 Register.....	235	PDM Output Channel 1 Routing Register	278
Serial Port 0 Output Routing Slot 12 Register.....	237	Outline Dimensions.....	280
Serial Port 0 Output Routing Slot 13 Register.....	238	Ordering Guide	280
Serial Port 0 Output Routing Slot 14 Register.....	240		

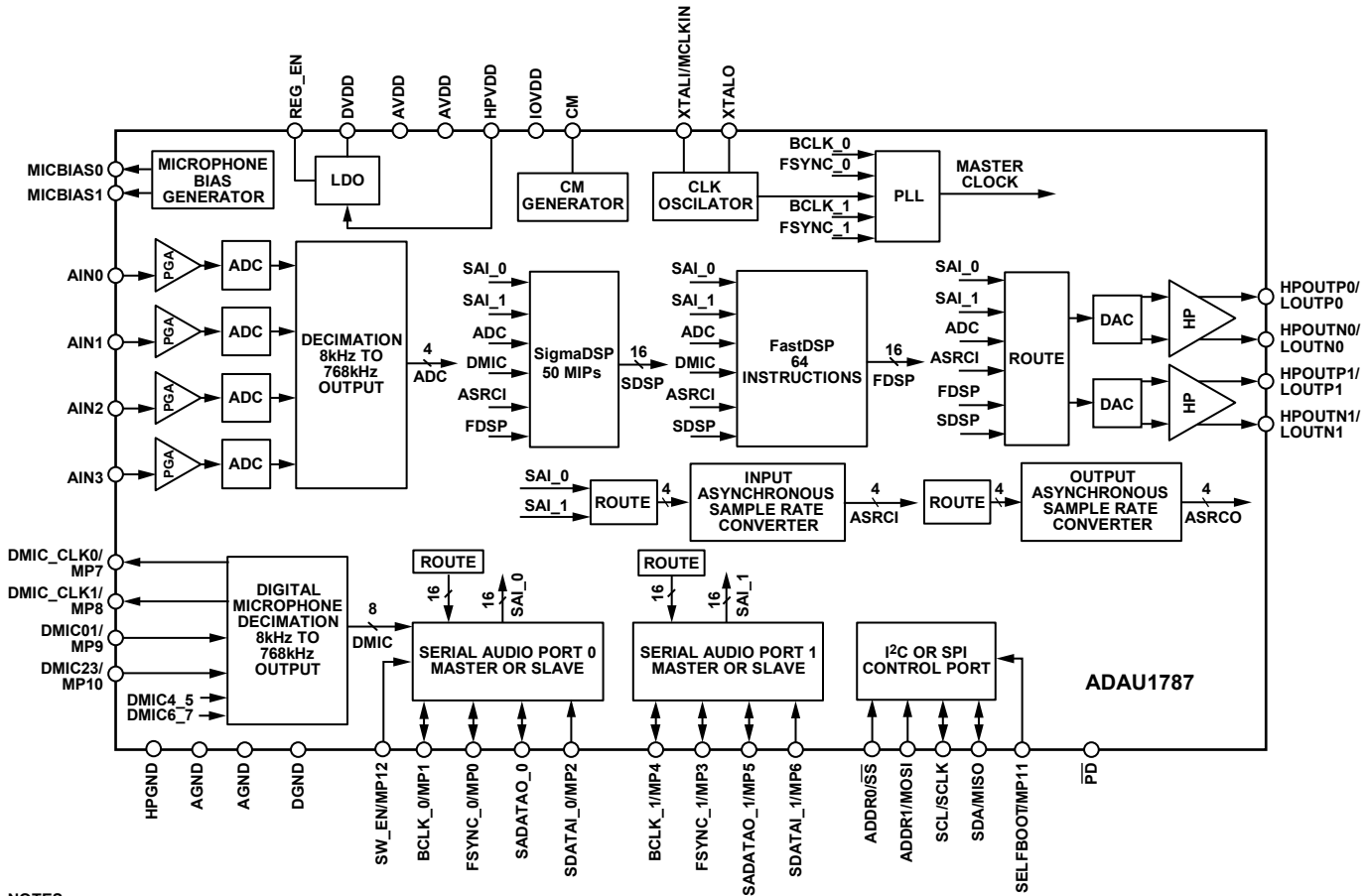
REVISION HISTORY

1/2020—Rev. 0 to Rev. A

Changes to Features Section	1
Changes to Typical Power Consumption Section and Table 6	10
Changes to Table 7 and Added Note 1 to Table 8	11
Added Note 1 to Table 9, Renumbered Sequentially.....	12
Changes to Figure 7.....	15
Changes to Table 10	16
Changes to Analog Input Precharge Time Register Section and Table 67	83

4/2019—Revision 0: Initial Revision

FUNCTIONAL BLOCK DIAGRAM



- NOTES
1. SAI_0 IS THE SERIAL AUDIO INTERFACE 0.
 2. SAI_1 IS THE SERIAL AUDIO INTERFACE 1.
 3. DMIC IS THE DIGITAL MICROPHONE.
 4. ASRCI IS THE INPUT ASYNCHRONOUS SAMPLE RATE CONVERTER.
 5. ASRCO IS THE OUTPUT ASYNCHRONOUS SAMPLE RATE CONVERTER.
 6. FDSP IS FastDSP.
 7. SDSP IS SigmaDSP.

Figure 1.

20127-001

SPECIFICATIONS

Master clock input = 24.576 MHz, serial input sample rate = 48 kHz, measurement bandwidth = 20 Hz to 20 kHz, word width = 24 bits, ambient temperature (T_A) = 25°C, and line output load = 10 k Ω , unless otherwise noted.

ANALOG PERFORMANCE SPECIFICATIONS

Supply voltages AVDD = IOVDD = 1.8 V and DVDD = 0.9 V, unless otherwise noted.

Table 1.

Parameter	Test Conditions/Comments	Min	Typ	Max	Unit
ANALOG-TO-DIGITAL CONVERTERS (ADCs)					
ADC Resolution	All ADCs		24		Bits
Digital Gain Step			0.375		dB
Digital Gain Range		-71		+24	dB
INPUT RESISTANCE					
Single-Ended Line Input			14.3		k Ω
Programmable Gain Amplifier (PGA) Inputs	0 dB gain		20.26		k Ω
	32 dB gain		0.97		k Ω
SINGLE-ENDED LINE INPUT					
Full-Scale Input Voltage	PGAx_EN = 0, PGMx_BOOST = 0, PGMx_SLEW_DIS = 1 0 dBFS		0.49		V rms
	0 dBFS		1.38		V p-p
Dynamic Range ¹	20 Hz to 20 kHz, -60 dB input				
With A-Weighted Filter (RMS)			97		dB
With Flat 20 Hz to 20 kHz Filter			94		dB
Signal-to-Noise Ratio (SNR) ²					
With A-Weighted Filter (RMS)			98		dB
With Flat 20 Hz to 20 kHz Filter			96		dB
Interchannel Gain Mismatch			40		mdB
Total Harmonic Distortion + Noise (THD + N) Level	20 Hz to 20 kHz, -1 dB full-scale output				
Offset Error			-90		dBFS
Gain Error			± 0.1		mV
Interchannel Isolation	CM capacitor = 10 μ F		± 0.2		dB
Power Supply Rejection Ratio (PSRR)	CM capacitor = 10 μ F		100		dB
	100 mV p-p at 1 kHz		60		dB
	100 mV p-p at 10 kHz		40		dB
SINGLE-ENDED PGA INPUT					
Full-Scale Input Voltage	PGAx_EN = 1, PGMx_BOOST = 0		0.49		V rms
	0 dBFS		1.38		V p-p
Dynamic Range ¹	20 Hz to 20 kHz, -60 dB input				
With A-Weighted Filter (RMS)			96		dB
With Flat 20 Hz to 20 kHz Filter			94		dB
THD + N Level	20 Hz to 20 kHz, -1 dBFS output		-88		dBFS
SNR ²					
With A-Weighted Filter (RMS)			96		dB
With Flat 20 Hz to 20 kHz Filter			94		dB
PGA Gain Variation	Standard deviation				
With 0 dB Setting			0.05		dB
With 35.25 dB Setting			0.15		dB
PGA Boost	PGAx_BOOST		10		dB
Interchannel Gain Mismatch			0.005		dB

Parameter	Test Conditions/Comments	Min	Typ	Max	Unit
Offset Error			0		mV
Gain Error			±0.2		dB
Interchannel Isolation			83		dB
PSRR	CM capacitor = 10 µF, 100 mV p-p at 1 kHz 100 mV p-p at 1 kHz		70 49		dB dB
MICROPHONE BIAS	MBIASx_EN = 1, 1 µF load				
Bias Voltage	MBIASx_LEVEL = 1 MBIASx_LEVEL = 0		1.18 1.63		V V
Bias Current Source				2	mA
Output Impedance			1		Ω
MICBIASx Isolation	MBIASx_LEVEL = 0 MBIASx_LEVEL = 1		95 99		dB dB
Noise ³	AVDD = 1.8 V, 20 Hz to 20 kHz, A-weighted MBIASx_LEVEL = 0 MBIASx_LEVEL = 1		3.5 3.5		µV µV
CONVERTERS DIGITAL					
Internal Converter Resolution	All digital-to-analog converters (DACs)/ADCs		24		Bits
Digital Gain					
Step			0.375		dB
Range		-71		+24	dB
Ramp Rate			4.5		dB/ms
DAC DIFFERENTIAL OUTPUT	Differential operation				
Full-Scale Output Voltage	0 dBFS to DAC		1.0		V rms
Dynamic Range ¹	Line output mode, 20 Hz to 20 kHz, -60 dB input				
With A-Weighted Filter (RMS)			105		dB
With Flat 20 Hz to 20 kHz Filter			102		dB
SNR ²	Line output mode, 20 Hz to 20 kHz				
With A-Weighted Filter (RMS)			105		dB
With Flat 20 Hz to 20 kHz Filter			102		dB
Interchannel Gain Mismatch	Line output mode		20		mdB
THD + N Level	Line output mode, 20 Hz to 20 kHz, -1 dBFS		-93		dBV
Gain Error	Line output mode				%
Dynamic Range ¹	Headphone mode, 20 Hz to 20 kHz, -60 dB input				
With A-Weighted Filter (RMS)			105		dB
With Flat 20 Hz to 20 kHz Filter			101		dB
SNR ²	Headphone mode, 20 Hz to 20 kHz				
With A-Weighted Filter (RMS)			105		dB
With Flat 20 Hz to 20 kHz Filter			101		dB
Interchannel Gain Mismatch	Headphone mode		75		mdB
THD + N Level	Headphone mode				
32 Ω Load	-1 dBFS, output power (P _{OUT}) = 27 mW P _{OUT} = 1 mW		-75 -82		dBV dBV
24 Ω Load	-2 dBFS, P _{OUT} = 28 mW		-75		dBV
16 Ω Load	-3 dBFS, P _{OUT} = 33 mW		-75		dBV
Headphone Output Power					
32 Ω Load	AVDD = 1.8 V, <0.1% THD + N		30		mW
24 Ω Load	AVDD = 1.8 V, <0.1% THD + N		40		mW
16 Ω Load	AVDD = 1.8 V, <0.1% THD + N		50		mW

Parameter	Test Conditions/Comments	Min	Typ	Max	Unit
Gain Error	Headphone mode		±2.5		%
DC Offset			±0.2		mV
Interchannel Isolation	1 kHz, 0 dBFS input signal		100		dB
PSRR	CM capacitor = 10 µF 100 mV p-p at 1 kHz 100 mV p-p at 10 kHz		70 70		dB dB
AVDD Undervoltage Trip Point			1.5		V
CM REFERENCE	CM pin				
Output			0.85		V
Source Impedance			5		kΩ
PHASED-LOCKED LOOP (PLL)					
Input Frequency	After input prescale	0.03		27	MHz
Output Frequency		32	49.152	50	MHz
Fractional Limits	Fractional mode, fraction part (N/M), see the PLL section	0.1		0.9	
Integer Limits	Fractional mode, integer part	2		1536	
Lock Time	48 kHz input 24.576 MHz input		2.03 0.46	0.55	ms ms
REGULATOR					
Line Regulation			1		mV/V
Load Regulation			0.5		mV/mA

¹ Dynamic range is the ratio of the sum of the noise and harmonic power in the band of interest with a –60 dBFS signal present to the full-scale power level in decibels.

² SNR is the ratio of the sum of all noise power in the band of interest with no signal present to the full-scale power level in decibels.

³ These specifications are with 4.7 µF decoupling and 5.0 kΩ load on the pin.

CRYSTAL AMPLIFIER SPECIFICATIONS

Supply voltages AVDD = IOVDD = 1.8 V and DVDD = 0.9 V, unless otherwise noted.

Table 2.

Parameter	Test Conditions/Comments	Min	Typ	Max	Unit
JITTER			270	500	ps
FREQUENCY RANGE		1		27	MHz
LOAD CAPACITANCE				20	pF

DIGITAL INPUT AND OUTPUT SPECIFICATIONS

–40°C < T_A < +85°C, IOVDD = 1.1 V to 1.98 V, unless otherwise noted.

Table 3.

Parameter	Symbols	Test Conditions/Comments	Min	Typ	Max	Unit
INPUT VOLTAGE						
High	V _{IH}		0.7 × IOVDD			V
Low	V _{IL}				0.3 × IOVDD	V
		IOVDD = 1.8 V, input high current (I _{IH}) at V _{IH} = 1.1 V Input low current (I _{IL}) at V _{IL} = 0.45 V			10	µA
					10	µA
OUTPUT VOLTAGE HIGH	V _{OH}					
Drive Strength						
Low		Output high current (I _{OH}) = 1 mA	0.71 × IOVDD	0.83 × IOVDD		V
High		I _{OH} = 3 mA	0.71 × IOVDD	0.83 × IOVDD		V
OUTPUT VOLTAGE LOW	V _{OL}					
Drive Strength						
Low		Output low current (I _{OL}) = 1 mA		0.1 × IOVDD	0.3 × IOVDD	V
High		I _{OL} = 3 mA		0.1 × IOVDD	0.3 × IOVDD	V
INPUT CAPACITANCE					5	pF

POWER SUPPLY SPECIFICATIONS

Supply voltages AVDD = IOVDD = 1.8 V and DVDD = 0.9 V, unless otherwise noted. PLL disabled, direct master clock. Digital input/output (I/O) lines loaded with 25 pF.

Table 4.

Parameter	Test Conditions/Comments	Min	Typ	Max	Unit	
SUPPLIES						
AVDD Voltage		1.7	1.8	1.98	V	
DVDD Voltage		0.85	0.9	0.99	V	
IOVDD Voltage		1.1	1.8	1.98	V	
Digital I/O Current with IOVDD = 1.8 V	Crystal oscillator (24.576 MHz) enabled, IOVDD = 1.8 V Sampling frequency (f _s) = 48 kHz, BCLK_x = 3.072 MHz f _s = 192 kHz, BCLK_x = 12.288 MHz f _s = 48 kHz, BCLK_x = 3.072 MHz f _s = 192 kHz, BCLK_x = 12.288 MHz					
Slave Mode, Serial Audio Port 0 (SPT0) On			0.271		mA	
				0.280		mA
Master Mode, SPT0 On				0.477		mA
			1.077		mA	

POWER-DOWN CURRENT

Supply voltages AVDD = IOVDD = 1.8 V and DVDD = 0.9 V externally supplied. PLL and crystal oscillator disabled.

Table 5.

Parameter	AVDD Current			DVDD Current			IOVDD Current			Unit
	Min	Typ	Max	Min	Typ	Max	Min	Typ	Max	
PD PIN LOW (HARDWARE POWER-DOWN)		0.52			11			0.69		μA
POWER_EN = 0										
No Keep Alives		0.52			11			0.69		μA
CM_KEEP_ALIVE = 1, KEEP_FDSP and KEEP_SDSP = 0		62			11			6.0		μA
CM_KEEP_ALIVE = 1, KEEP_FDSP and KEEP_SDSP = 1		64			11			6.0		μA

TYPICAL POWER CONSUMPTION

PLL enabled with master clock = 24.576 MHz (crystal oscillator enabled). DVDD = 0.9 V, and AVDD = IOVDD = 1.8 V supplied externally. Where applicable, ADC0 and ADC1 running at 384 kHz, and ADC2 and ADC3 running at 48 kHz. FastDSP™ running at 384 kHz (biquad filters with 27-bit precision), and SigmaDSP® running at 48 kHz. SDSP_SPEED = 0 for 24 MIPS measurements, SDSP_SPEED = 1 for 50 MIPS measurements, DAC0 and DAC1 running at 384 kHz, DAC_LPM = 1. One serial port input and output, configured as a slave, with headphone load of 32 Ω. Quiescent current (no signal).

Table 6.

ADC Channel	DAC Channel	ASRCI/ASRCO Channel ¹	SigmaDSP MIPS	FastDSP Instruction	Digital Microphone Channels	Interpolator/Decimator Channel	DVDD Current (mA)	AVDD Current (mA)	IOVDD Current (mA)
0	2	0	0	0	0	0	0.395	1.888	0.283
4	0	0	24	0	0	0	1.285	2.697	0.293
4	0	0	50	0	0	0	2.477	2.697	0.293
4	0	0	0	32	0	0	1.970	2.703	0.293
4	0	0	0	64	0	0	3.250	2.697	0.293
4	2	2/2	24	32	0	0	3.299	4.345	0.293
4	2	2/2	24	32	0	2/2	3.356	4.346	0.293
4	2	2/2	24	32	4	2/2	3.420	4.345	0.415
4	2	2/2	50	64	8	4/4	5.910	4.347	0.412

¹ ASRCI is the input asynchronous sample rate converter, and ASRCO is the output asynchronous sample rate converter.

Typical active noise cancelling (ANC) settings. Master clock = 24.576 MHz (crystal oscillator disabled and PLL bypassed). DVDD = 0.9 V, and AVDD = IOVDD = 1.8 V supplied externally. Two ADCs with PGA enabled and two ADCs configured for line input. Two DACs configured for differential headphone operation, and DAC outputs loaded with 32 Ω , DAC_LPM = 1. One serial port input and output, configured as slave. Two input and output ASRCs. Two slow to fast interpolators enabled. Both MICBIAS0 and MICBIAS1 enabled at 0.9 \times AVDD. FastDSP running 32 instructions (biquad filters with 27-bit precision) at 384 kHz. SigmaDSP running 24 MIPS at 48 kHz. Quiescent current (no signal).

Table 7.

Operating Voltage	Power Management Setting	Typical Current (mA)			Total Power Consumption (mW)	Typical ADC THD + N (dB)	Typical High Power Output THD + N (dB)
		AVDD	DVDD	IOVDD			
AVDD = IOVDD = 1.8 V	Normal (default)	4.490	3.280	0.025	11.079	-89.5	-78 at 24 mW output
DVDD = 0.9 V	Power saving	3.772	3.280	0.025	9.787	-80.5	-78 at 24 mW output
	Extreme power saving	3.446	3.280	0.025	9.200	-78	-77.5 at 24 mW output

DIGITAL FILTERS

Table 8.

Parameter	Test Conditions/Comments	Min	Typ	Max	Unit
ADC INPUT TO DAC OUTPUT PATH					
Pass-Band Ripple	DC to 20 kHz, $f_s = 192$ kHz (ADCxx_FCOMP = 1, DAC_FCOMP = 1)			± 0.02	dB
Group Delay ¹	$f_s = 192$ kHz		12.9		μ s
	$f_s = 384$ kHz		7.5		μ s
	$f_s = 768$ kHz		5		μ s
SAMPLE RATE CONVERTER					
Pass Band	LRCLK < 63 kHz			$0.475 \times f_s$	kHz
	63 kHz < LRCLK < 112 kHz			$0.4286 \times f_s$	
	LRCLK > 112 kHz		$0.4286 \times f_s$		
Audio Band Ripple	20 Hz to 20 kHz	-0.1		+0.1	dB
Input and Output Sample Frequency Range		7		224	kHz
Dynamic Range	x_LPM = 0		130		dB
	x_LPM = 1		130		dB
	x_LPM_II = 1		130		dB
THD + Noise	20 Hz to 20 kHz, input: typical at 1 kHz and maximum at 20 kHz				
	x_LPM = 0	-130		-120	dBFS
	x_LPM = 1	-120		-110	dBFS
	x_LPM_II = 1	-115		-90	dBFS
Startup Time to Lock				25	ms
PULSE DENSITY MODULATION (PDM) OUTPUTS					
Dynamic Range	20 Hz to 20 kHz, with A-weighted filter		126		dBFS
THD + N	20 Hz to 20 kHz, -6 dBFS input		-125		dBFS
Group Delay from ADC	$f_s = 384$ kHz		7.5		μ s
	$f_s = 768$ kHz		4.9		μ s

¹ Group delay measured with FastDSP using zero instructions.

DIGITAL TIMING SPECIFICATIONS

-40°C < T_A < +85°C, IOVDD = 1.1 V to 1.8 V, and DVDD = 0.9 V to 0.99 V.

Table 9.

Parameter	Limit		Unit	Description
	Min	Max		
MASTER CLOCK				MCLKIN period
t _{MPI}	0.037	33.3	μs	30 kHz to 27 MHz input clock using PLL in integer mode
t _{MPF}	0.037	1.0	μs	30 kHz to 27 MHz input clock using PLL in fractional mode
SERIAL PORT				
t _{BL}	18		ns	BCLK_x low pulse width (master and slave modes)
t _{BH}	18		ns	BCLK_x high pulse width (master and slave modes)
f _{BCLK}	0.512	24.576	MHz	BCLK_x frequency
t _{LS}	3		ns	FSYNC_x setup, time to BCLK_x rising (slave mode)
t _{LH}	5		ns	FSYNC_x hold, time from BCLK_x rising (slave mode)
f _{SYNC}	8	768 ¹	kHz	FSYNC_x frequency
t _{SS}	3		ns	SDATAI_x setup, time to BCLK_x rising (master and slave modes)
t _{SH}	10		ns	SDATAI_x hold, time from BCLK_x rising (master and slave modes)
t _{TS}		6	ns	BCLK_x falling to FSYNC_x timing skew (master mode)
t _{SOD}	0	16	ns	SDATAO_x delay, time from BCLK_x falling (master and slave modes), IOVDD at 1.62 V minimum
	0	32	ns	SDATAO_x delay, time from BCLK_x falling (master and slave modes), IOVDD at 1.1 V minimum
t _{SOTD}	0	16	ns	BCLK_x falling to SDATAO_x driven in tristate mode
t _{SOTX}	0	16	ns	BCLK_x falling to SDATAO_x tristated in tristate mode
SERIAL PERIPHERAL INTERFACE (SPI) PORT				
f _{SCLK}		10	MHz	SCLK frequency
t _{CCPL}	35		ns	SCLK pulse width low
t _{CCPH}	35		ns	SCLK pulse width high
t _{CLS}	5		ns	\overline{SS} setup, time to SCLK rising
t _{CLH}	40		ns	\overline{SS} hold, time from SCLK rising
t _{CLPH}	10		ns	\overline{SS} pulse width high
t _{CDS}	10		ns	MOSI setup, time to SCLK rising
t _{CDH}	10		ns	MOSI hold, time from SCLK rising
t _{COD}		30	ns	MISO delay, time from SCLK falling
t _{COTS}		30	ns	MISO high-Z, time from \overline{SS} rising
I ² C PORT				
f _{SCL}		1	MHz	SCL frequency
t _{SCLH}	0.26		μs	SCL high
t _{SCLL}	0.5		μs	SCL low
t _{SCS}	0.26		μs	SCL rise setup time (to SDA falling), relevant for repeated start condition
t _{SCR}		120	ns	SCL and SDA rise time, C _{LOAD} = 400 pF
t _{SCH}	0.26		μs	SCL fall hold time (from SDA falling), relevant for start condition
t _{DS}	50		ns	SDA setup time (to SCL rising)
t _{SCF}		120	ns	SCL and SDA fall time, C _{LOAD} = 400 pF
t _{BFT}	0.5		μs	SCL rise setup time (to SDA rising), relevant for stop condition

Parameter	Limit		Unit	Description
	Min	Max		
I²C EEPROM SELF BOOT				
t _{SCHE}	26 × t _{MP} - 70		ns	t _{MP} is the input clock on the MCLKIN pin SCL fall hold time (from SDA falling), relevant for start condition
t _{SCSE}	38 × t _{MP} - 70		ns	SCL rise setup time (to SDA falling), relevant for repeated start condition
t _{BFTE}	70 × t _{MP} - 70		ns	SCL rise setup time (to SDA rising), relevant for stop condition
t _{DSE}	6 × t _{MP} - 70		ns	Delay from SCL falling to SDA changing
t _{BHTE}	32 × t _{MP}		ns	SDA rising in self-boot stop condition to SDA falling edge for external master start condition
GENERAL-PURPOSE INPUT/OUTPUT (GPIO) PINS				
t _{GIL}		1.5 × 1/f _s	μs	MPx input latency, time until high or low value is read by core
t _{RLPW}	20		ns	PD low pulse width
DIGITAL MICROPHONE				
t _{CF} ²		12	ns	Digital microphone clock fall time
t _{CR} ²		14	ns	Digital microphone clock rise time
t _{SETUP}	10		ns	Digital microphone data setup time
t _{HOLD}	3		ns	Digital microphone data hold time
PDM OUTPUT				
f _{PDM_CLK}		3.072	MHz	PDM clock frequency 3 MHz setting
		6.144	MHz	6 MHz setting
t _{CF} ²		12	ns	Digital PDM clock output fall time
t _{CR} ²		14	ns	Digital PDM clock output rise time
t _{HOLD}	35	46	ns	PDM data hold time

¹ Stereo, 16 bit per channel only at 768 kHz.

² Digital microphone clock rise and fall times are measured at 2 mA drive strength with 25 pF load.

Digital Timing Diagrams

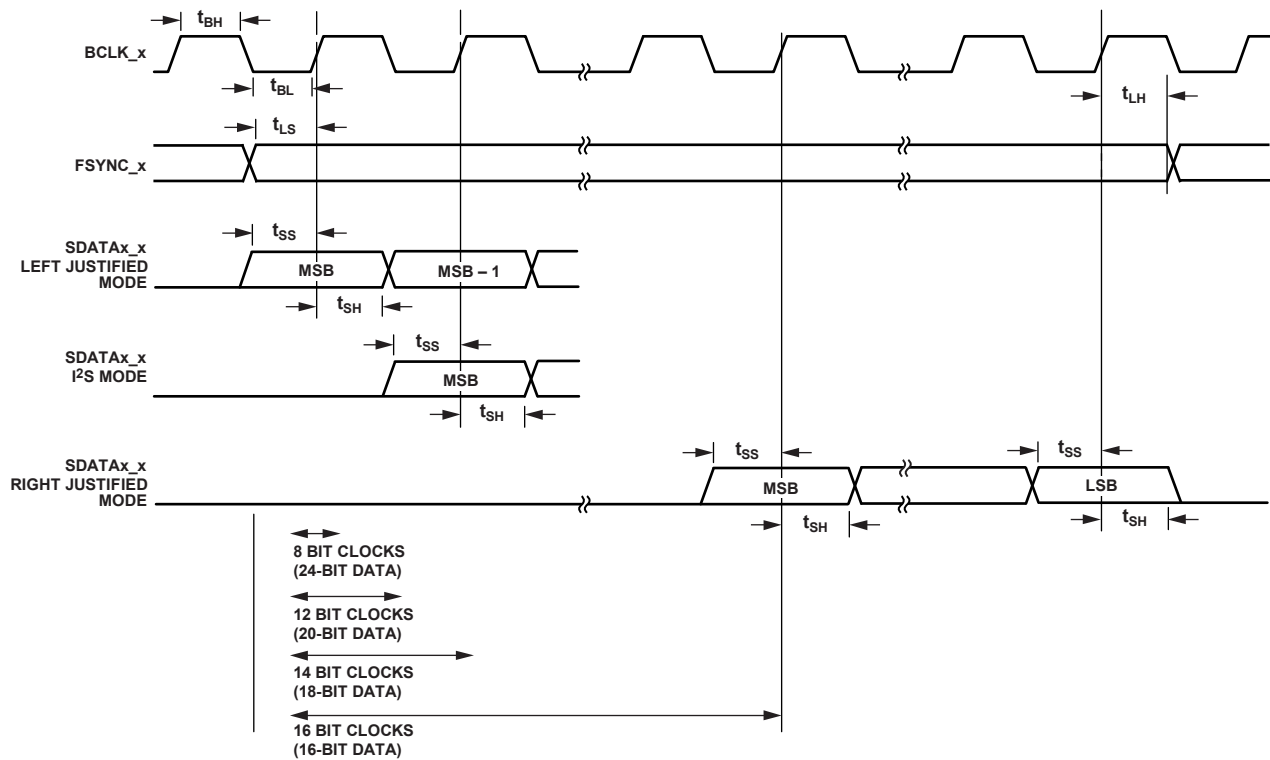


Figure 2. Serial Input Port Timing Diagram

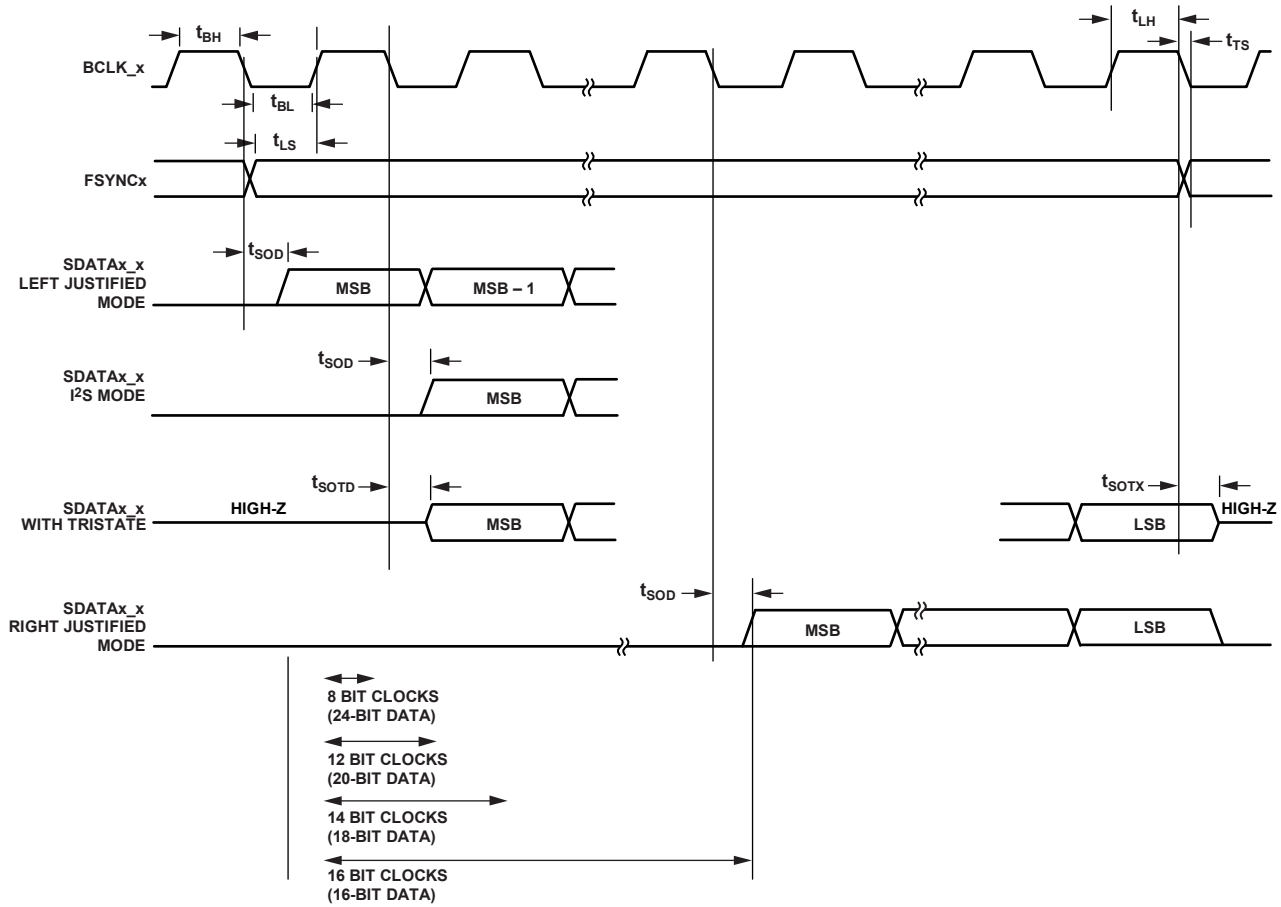


Figure 3. Serial Output Port Timing Diagram

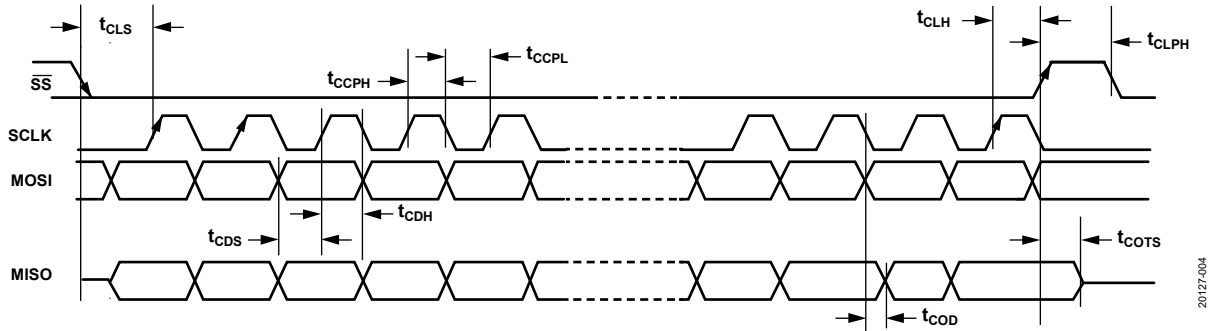


Figure 4. SPI Port Timing Diagram

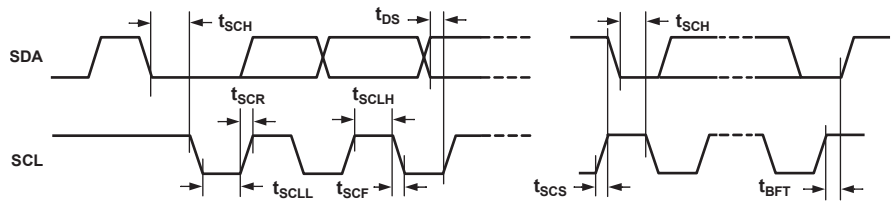


Figure 5. I²C Port Timing Diagram

20127-003

20127-004

20127-005

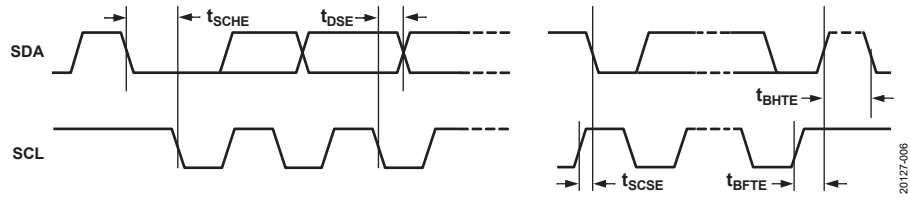


Figure 6. I²C Self Boot Timing Diagram

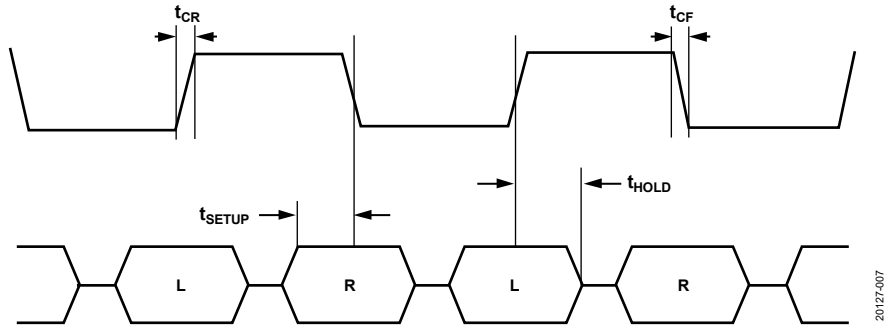


Figure 7. Digital Microphone Timing Diagram

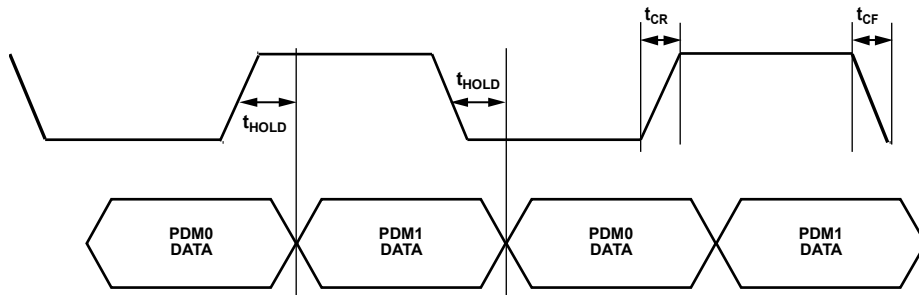


Figure 8. PDM Output Timing Diagram

ABSOLUTE MAXIMUM RATINGS

Table 10.

Parameter	Rating
Supply	
Power (AVDD, IOVDD)	−0.3 V to +1.98 V
Digital (DVDD)	−0.3 V to +1.21 V
Input	
Current (Except Supply Pins)	±20 mA
Analog Voltage (Signal Pins)	−0.3 V to AVDD + 0.3 V
Digital Voltage (Signal Pins)	−0.3 to IOVDD + 0.3 V
Temperature	
Operating Range (Case)	−40°C to +85°C
Storage Range	−65°C to +150°C
Junction	135°C
Electrostatic Discharge (ESD) Human Body Model (HBM) Rating	±4 kV
Power Dissipation	400 mW

Stresses at or above those listed under Absolute Maximum Ratings may cause permanent damage to the product. This is a stress rating only; functional operation of the product at these or any other conditions above those indicated in the operational section of this specification is not implied. Operation beyond the maximum operating conditions for extended periods may affect product reliability.

THERMAL RESISTANCE

Thermal performance is directly linked to printed circuit board (PCB) design and operating environment. Careful attention to PCB thermal design is required.

θ_{JA} and θ_{JC} are determined according to JESD51-9 on a 4-layer PCB with natural convection cooling.

Table 11. Thermal Resistance

Package Type	θ_{JA} ¹	θ_{JC} ¹	Unit
CB-42-2	46.7	0.3	°C/W

¹ Thermal impedance simulated values are based on a JEDEC 2S2P thermal test board with two thermal vias. See JEDEC JESD-51.

ESD CAUTION



ESD (electrostatic discharge) sensitive device. Charged devices and circuit boards can discharge without detection. Although this product features patented or proprietary protection circuitry, damage may occur on devices subjected to high energy ESD. Therefore, proper ESD precautions should be taken to avoid performance degradation or loss of functionality.

PIN CONFIGURATION AND FUNCTION DESCRIPTIONS

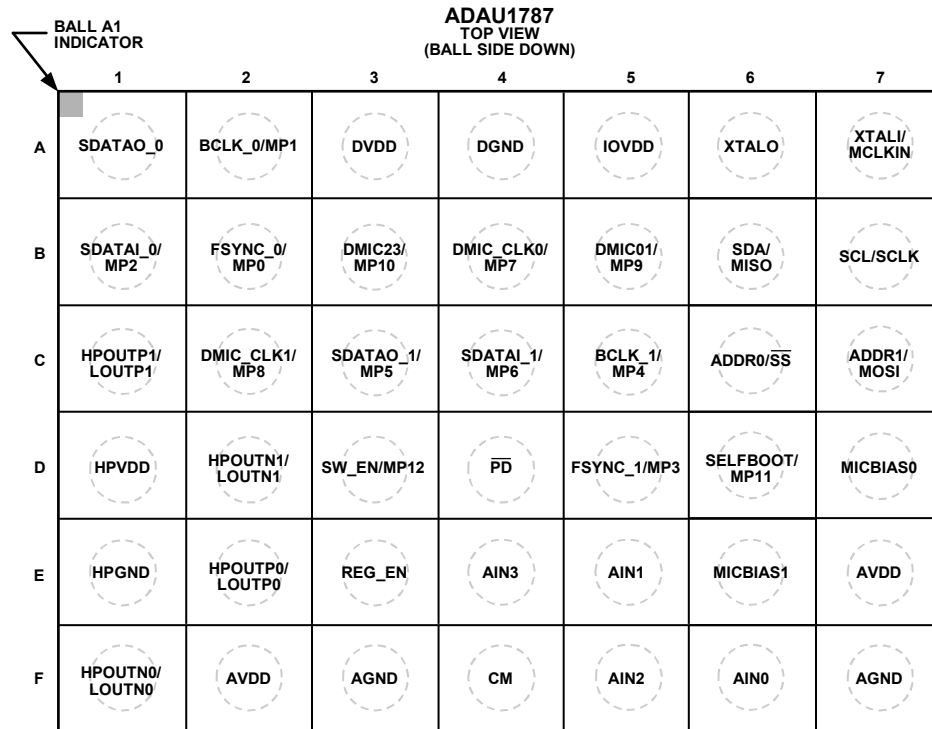


Figure 9. Ball Configuration (Top View)

Table 12. Ball Function Descriptions

Ball No.	Mnemonic	Type ¹	Description
A1	SDATAO_0	D_IO	Serial Audio Port 0 Output Data.
A2	BCLK_0/MP1	D_IO	Serial Audio Port 0 Bit Clock (BCLK_0). Multipurpose I/O 1 (MP1).
A3	DVDD	PWR	Digital Core Supply. The digital supply can be generated from an on-board regulator or supplied directly from an external supply. In each case, decouple DVDD to DGND with a 1 μ F and a 0.1 μ F capacitor.
A4	DGND	PWR	Digital Ground. The AGND and DGND pins can be tied directly together in a common ground plane.
A5	IOVDD	PWR	Supply for the Digital Input and Output Pins. The digital output pins are supplied from IOVDD, and this pin sets the highest input voltage seen on the digital input pins. The current draw of this pin is variable because the current is dependent on the loads of the digital outputs. Decouple IOVDD to DGND with a 0.1 μ F capacitor.
A6	XTALO	A_OUT	Crystal Clock Output. This pin is the output of the crystal amplifier. Do not use this pin to provide a clock to other ICs in the system.
A7	XTALI/MCLKIN	D_IN	Crystal Clock Input (XTALI). Master Clock Input (MCLKIN).
B1	SDATAI_0/MP2	D_IO	Serial Audio Port 0 Input Data (SDATAI_0). Multipurpose I/O 2 (MP2).
B2	FSYNC_0/MP0	D_IO	Serial Audio Port 0 Frame Sync/Left Right Clock (FSYNC_0). Multipurpose I/O 0 (MP0).
B3	DMIC23/MP10	D_IO	Digital Microphone Stereo Input 2 and Digital Microphone Stereo Input 3 (DMIC23). Multipurpose I/O 10 (MP10).

Ball No.	Mnemonic	Type ¹	Description
B4	DMIC_CLK0/MP7	D_IO	Digital Microphone Clock Output 0. Multipurpose I/O 7 (MP7).
B5	DMIC01/MP9	D_IO	Digital Microphone Stereo Input 0 and Digital Microphone Stereo Input 1 (DMIC01). Multipurpose I/O 9 (MP9).
B6	SDA/MISO	D_IO	I ² C Data (SDA). This pin is a bidirectional open-collector input. The line connected to this pin must have a 2.0 kΩ pull-up resistor. SPI Data Output (MISO). This SPI data output is used for reading back registers and memory locations. This pin is tristated when an SPI read is not active. SPI Clock (SCLK). This pin can either run continuously or can be gated off between SPI transactions.
B7	SCL/SCLK	D_IN	I ² C Clock (SCL). This pin is always an open-collector input when the device is in I ² C control mode. When the device is in self-boot mode, this pin is an open-collector output (I ² C master). The line connected to this pin must have a 2.0 kΩ pull-up resistor. SPI Clock (SCLK). This pin can either run continuously or be gated off between SPI transactions.
C1	HPOUTP1/LOUTP1	A_OUT	Headphone Output Noninverted Channel 1 (HPOUTP1). Line Output Noninverted Channel 1 (LOUTP1).
C2	DMIC_CLK1/MP8	D_IO	Digital Microphone Clock Output 1 (DMIC_CLK1). Multipurpose I/O 8 (MP8).
C3	SDATAO_1/MP5	D_IO	Serial Audio Port 1 Output Data (SDATAO_1). Multipurpose I/O 5 (MP5).
C4	SDATAI_1/MP6	D_IO	Serial Audio Port 1 Input Data (SDATAI_1). Multipurpose I/O 6 (MP6).
C5	BCLK_1/MP4	D_IO	Serial Audio Port 1 Bit Clock (BCLK_1). Multipurpose I/O 4 (MP4).
C6	ADDR0/ \overline{SS}	D_IN	I ² C Address 0 (ADDR0). SPI Latch Signal (\overline{SS}). This pin must go low at the beginning of an SPI transaction and high at the end of a transaction. Each SPI transaction may take a different number of SCLK cycles to complete, depending on the address and read/write bit that are sent at the beginning of the SPI transaction.
C7	ADDR1/MOSI	D_IN	I ² C Address 1 (ADDR1). SPI Data Input (MOSI).
D1	HPVDD	PWR	Headphone Amplifier Power, 1.8 V Analog Supply. Decouple this pin to HPGND with a 0.1 μF capacitor. The PCB trace to this pin must be wider to supply the higher current necessary for driving the headphone outputs.
D2	HPOUTN1/LOUTN1	A_OUT	Headphone Output Inverted Channel 1 (HPOUTN1). Line Output Inverted Channel 1 (LOUTN1).
D3	SW_EN/MP12	D_IN	I ² C/SPI Enable (SW_EN). Connect this pin to DGND. Multipurpose I/O 12 (MP12).
D4	\overline{PD}	D_IN	Active Low Power-Down. All digital and analog circuits are powered down. There is an internal pull-down resistor on this pin. Therefore, the ADAU1787 is held in power-down mode if the input signal is floating while power is applied to the supply pins.
D5	FSYNC_1/MP3	D_IO	Serial Audio Port 1 Frame Sync/Left Right Clock (FSYNC_1). Multipurpose I/O 3 (MP3).
D6	SELFBOOT/MP11	D_IN	Self Boot. Connect this pin to IOVDD at power-up to enable the self boot mode. Otherwise, set this pin to DGND at startup. Multipurpose I/O 11 (MP11).
D7	MICBIAS0	A_OUT	Bias Voltage for Electret Microphone 0. Decouple this pin with a 1 μF capacitor.
E1	HPGND	PWR	Headphone Amplifier Ground.
E2	HPOUTP0/LOUTP0	A_OUT	Headphone Output Noninverted Channel 0 (HPOUTP0). Line Output Noninverted Channel 0 (LOUTP0).

Ball No.	Mnemonic	Type ¹	Description
E3	REG_EN	A_IN	Regulator Enable. Tie this pin to AVDD to enable the regulator, and tie this pin to ground to disable the regulator.
E4	AIN3	A_IN	ADC3 Input.
E5	AIN1	A_IN	ADC1 Input.
E6	MICBIAS1	A_OUT	Bias Voltage for Electret Microphone 1. Decouple this pin with a 1 μ F capacitor.
E7	AVDD	PWR	1.8 V Analog Supply. Decouple this pin to AGND with a 0.1 μ F capacitor.
F1	HPOUTN0/LOUTN0	A_OUT	Headphone Output Noninverted Channel 0 (HPOUTP0). Line Output Noninverted Channel 0 (LOUTP0).
F2	AVDD	PWR	1.8 V Analog Supply. Decouple AVDD to AGND with a 0.1 μ F capacitor.
F3	AGND	PWR	Analog Ground. The AGND and DGND pins can be tied directly together in a common ground plane.
F4	CM	A_OUT	Common-Mode Reference, Fixed at 0.85 V Nominal. Connect a 10 μ F and 0.1 μ F decoupling capacitor between this pin and AGND to reduce crosstalk between the ADCs and DACs. The material of the capacitors is not critical. This pin can bias external analog circuits as long as the circuits are not drawing current from CM (for example, the noninverting input of an op amp).
F5	AIN2	A_IN	ADC2 Input.
F6	AIN0	A_IN	ADC0 Input.
F7	AGND	PWR	Analog Ground.

¹ D_IO means digital input/output, PWR means power, A_OUT means analog output, D_IN means digital input, and A_IN means analog input.

TYPICAL PERFORMANCE CHARACTERISTICS

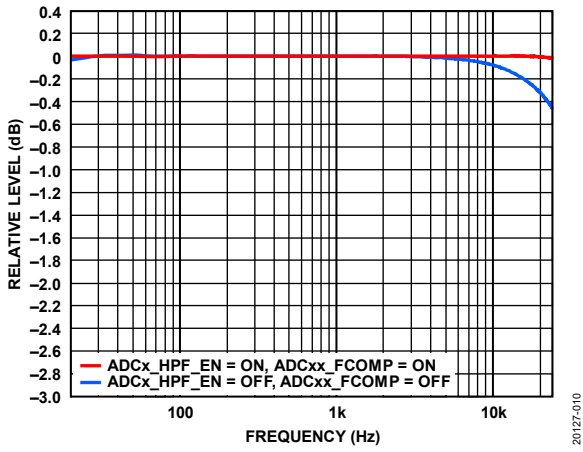


Figure 10. Frequency Response, $f_s = 48$ kHz, -20 dBV Input, Signal Path = AINx to SDATAO_x, No PGA

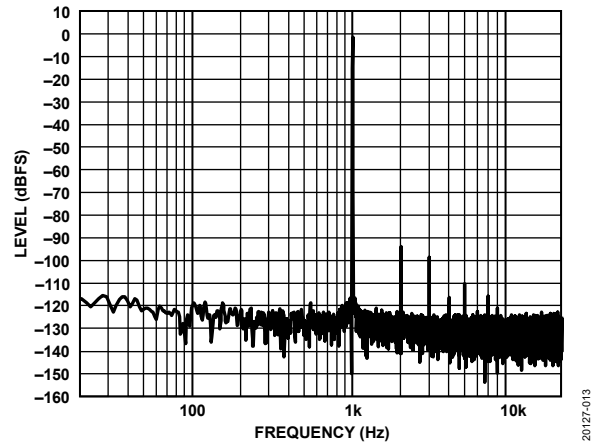


Figure 13. Fast Fourier Transform (FFT), -7 dBV Input, -1 dBFS Output, $f_s = 48$ kHz, Signal Path = AINx to SDATAO_x, No PGA

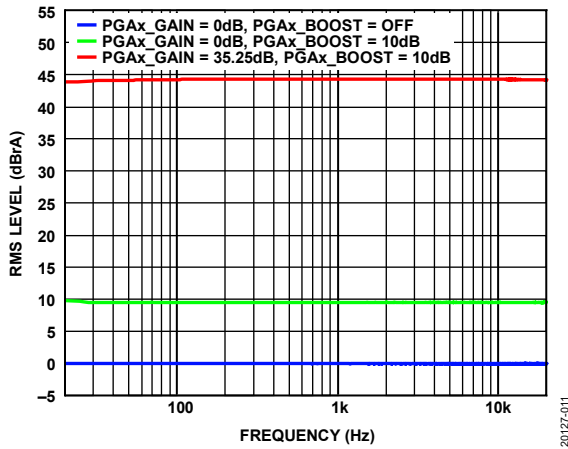


Figure 11. Frequency Response, $f_s = 48$ kHz, Signal Path = AINx to SDATAO_x, Output Relative to PGA Gain Settings (0 dB/10 dB/35.25 dB + 10 dB Boost)

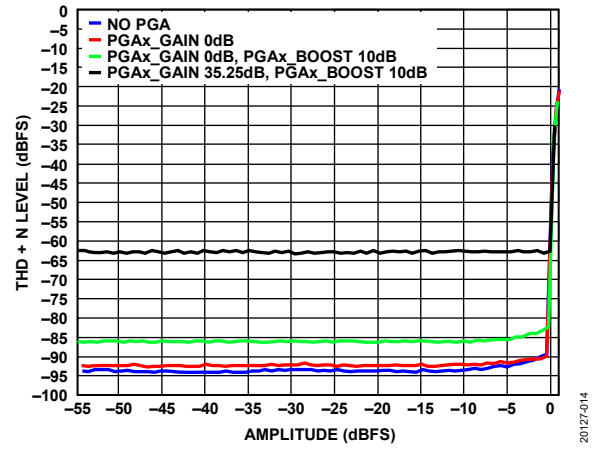


Figure 14. THD + N Level vs. Amplitude, $f_s = 48$ kHz, Signal Path = AINx to SDATAO_x

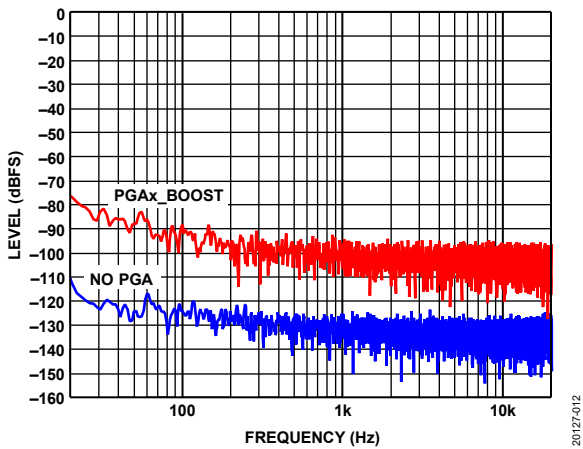


Figure 12. FFT, No Signal, $f_s = 48$ kHz, Signal Path = AINx to SDATAO_x, No PGA and 35.25 dB PGAx_GAIN + 10 dB PGAx_BOOST

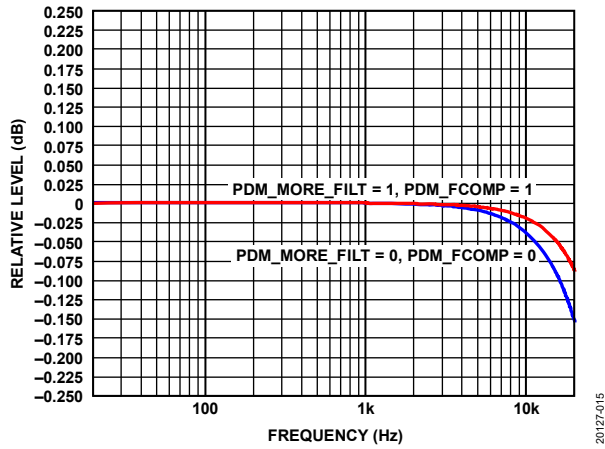


Figure 15. Frequency Response, $f_s = 48$ kHz, Signal Path = SDATAI_x to PDM Output

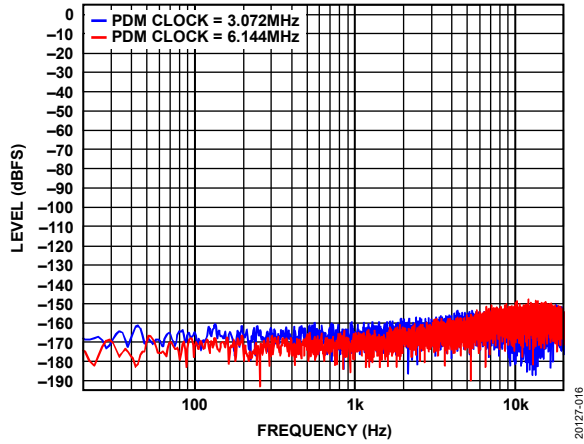


Figure 16. FFT, No Signal, $f_s = 48$ kHz Throughout, Signal Path = SDATA1_x to FastDSP to PDM Output

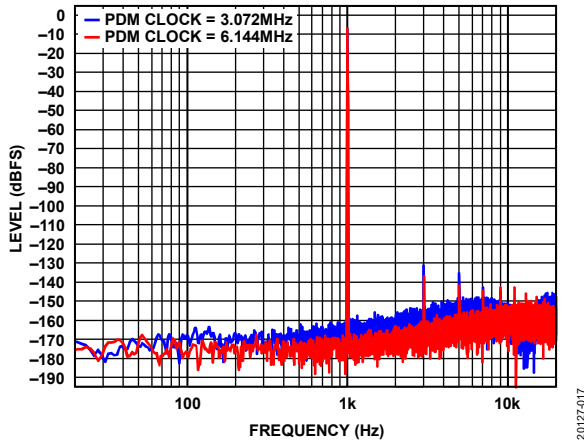


Figure 17. FFT, -7 dBFS, $f_s = 48$ kHz Throughout, Signal Path = SDATA1_x to FastDSP to PDM Output

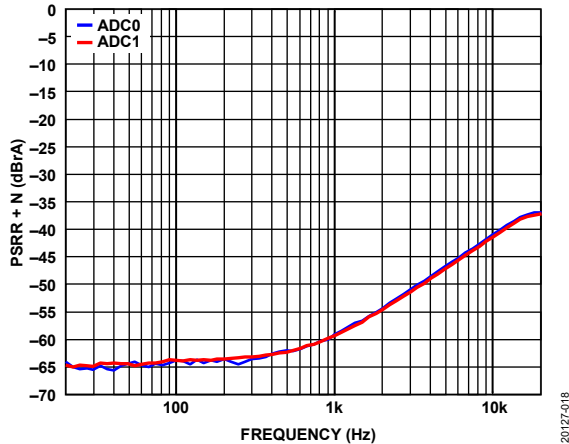


Figure 18. PSRR + N, Signal Path = AINx to SDATAO_x, $f_s = 48$ kHz, 100 mV p-p Ripple Input on AVDD, No PGA

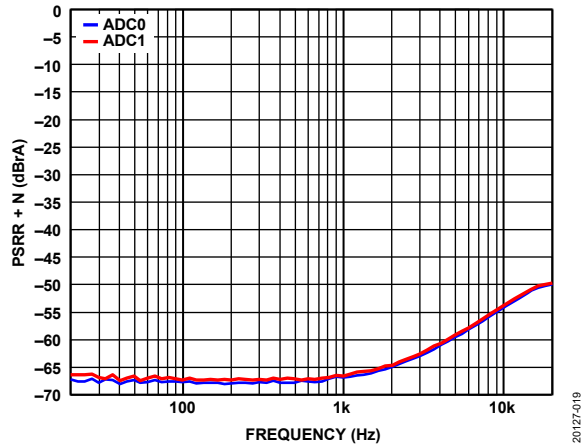


Figure 19. PSRR + N, Signal Path = AINx to SDATAO_x, $f_s = 48$ kHz, 100 mV p-p Ripple Input on AVDD, PGA = 0 dB

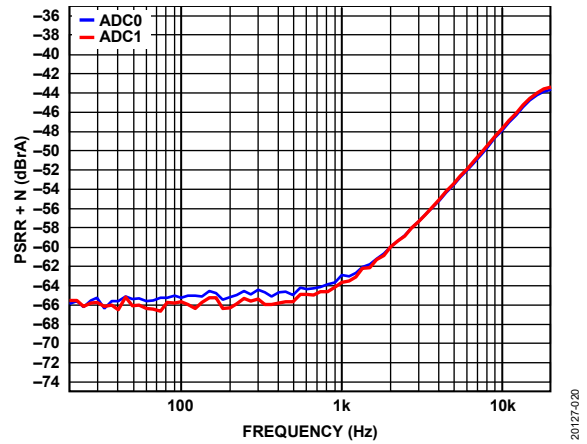


Figure 20. PSRR + N, Signal Path = AINx to SDATAO_x, $f_s = 48$ kHz, 100 mV p-p Ripple Input on AVDD, PGA = 10 dB

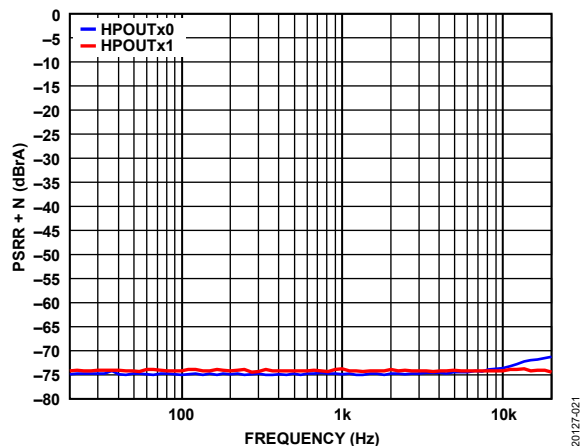


Figure 21. PSRR + N, Signal Path = SDATA1_x to HPOUTxx, $f_s = 48$ kHz, 100 mV p-p Ripple Input on AVDD

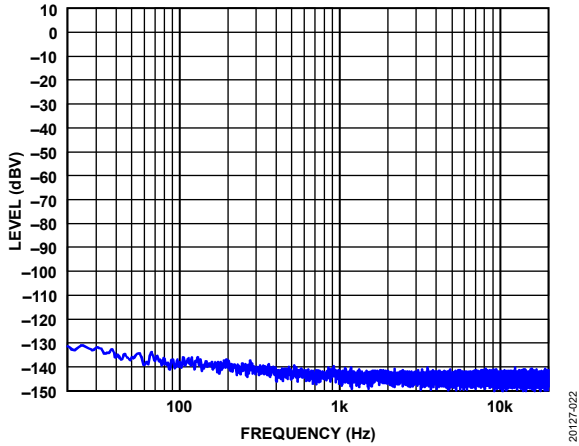


Figure 22. FFT, No Signal, $f_s = 48$ kHz, Signal Path = SDATA1_x to HPOUTxx, Headphone Mode, Load = 16 Ω

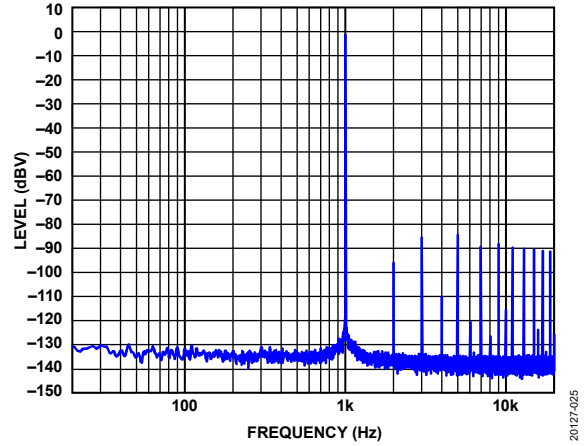


Figure 25. FFT, -1 dBFS, $f_s = 48$ kHz, Signal Path = SDATA1_x to HPOUTxx, Headphone Mode, Load = 24 Ω

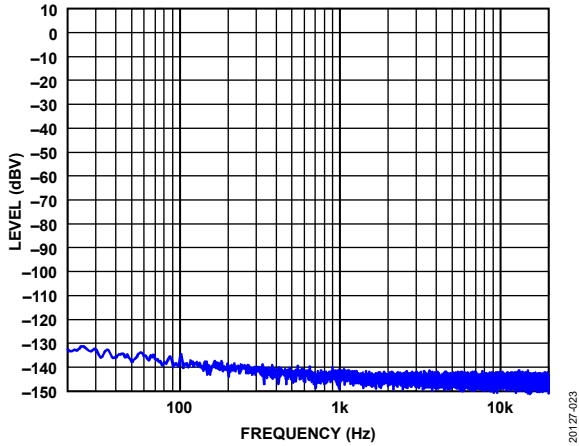


Figure 23. FFT, No Signal, $f_s = 48$ kHz, Signal Path = SDATA1_x to LOOUTxx, Line Output Mode, Load = 10 k Ω

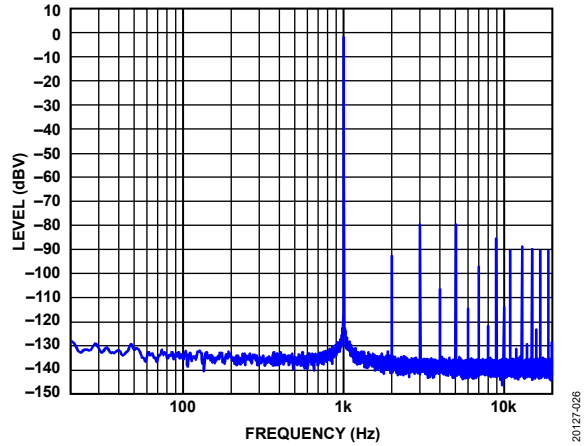


Figure 26. FFT, -1 dBFS, $f_s = 48$ kHz, Signal Path = SDATA1_x to HPOUTxx, Headphone Mode, Load = 16 Ω

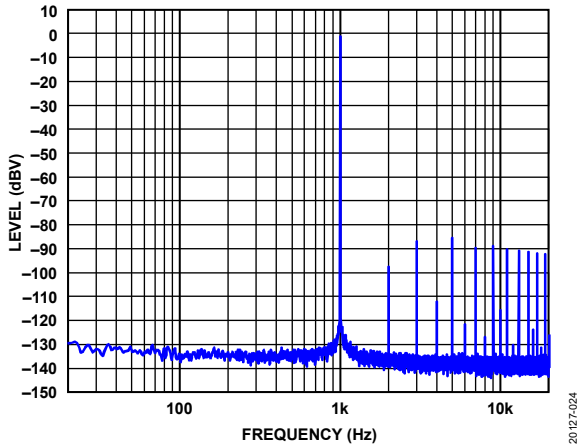


Figure 24. FFT, -1 dBFS, $f_s = 48$ kHz, Signal Path = SDATA1_x to HPOUTxx, Headphone Mode, Load = 32 Ω

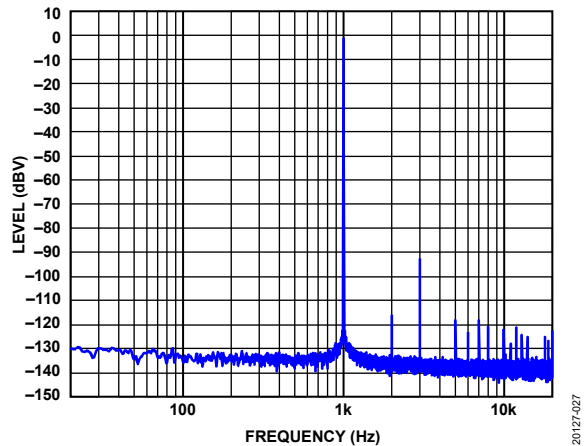


Figure 27. FFT, -1 dBFS, $f_s = 48$ kHz, Signal Path = SDATA1_x to LOOUTxx, Line Output Mode, Load = 10 k Ω

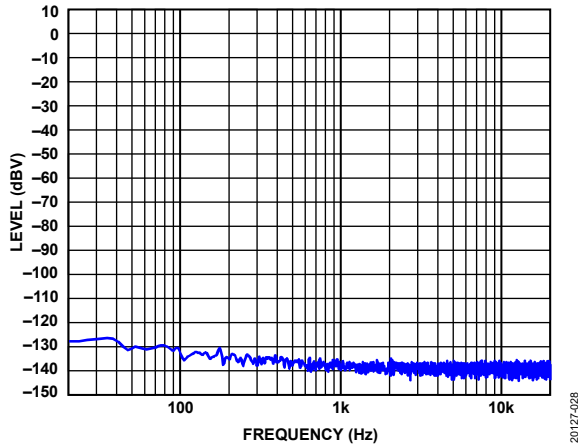


Figure 28. FFT, No Signal, $f_s = 768$ kHz, Signal Path = SDATA1_x to Interpolator to FastDSP to HPOUTxx, Headphone Mode, Load = 16 Ω

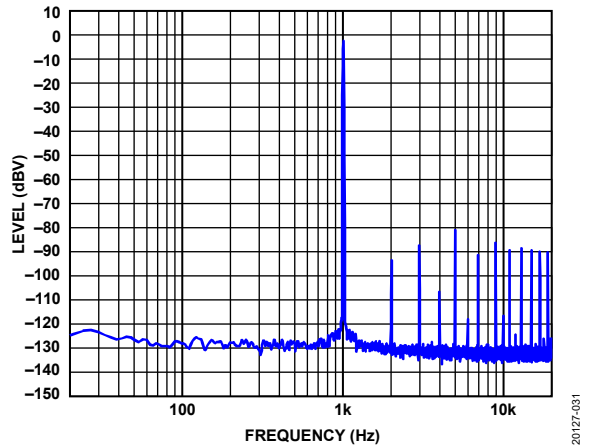


Figure 31. FFT, -1 dBFS, $f_s = 768$ kHz, Signal Path = SDATA1_x to Interpolator to FastDSP to LOUOutxx, Line Output Mode, Load = 10 k Ω

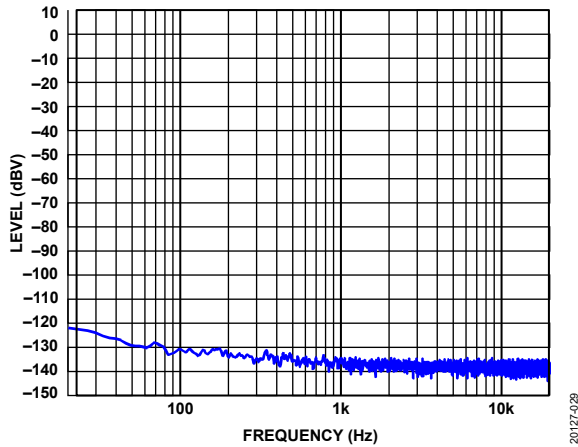


Figure 29. FFT, No Signal, $f_s = 768$ kHz, Signal Path = SDATA1_x to Interpolator to FastDSP to LOUOutxx, Line Output Mode, Load = 10 k Ω

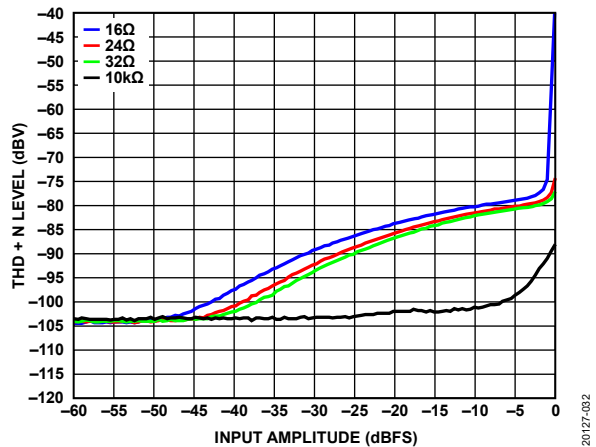


Figure 32. THD + N Level vs. Input Amplitude, $f_s = 48$ kHz, 16 Ω , 24 Ω , 32 Ω , or 10 k Ω , Signal Path = SDATA1_x to HPOUTxx/LOUOutxx

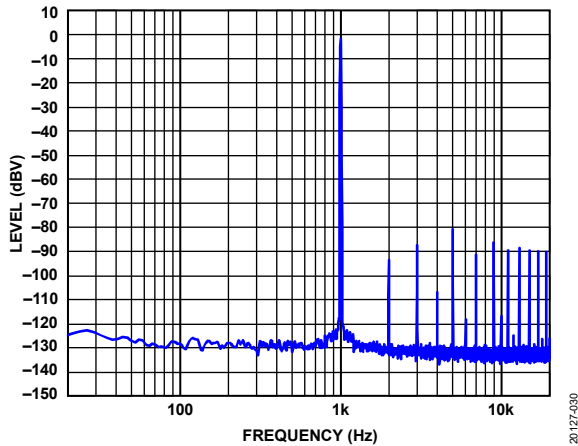


Figure 30. FFT, -1 dBFS, $f_s = 768$ kHz, Signal Path = SDATA1_x to Interpolator to FastDSP to HPOUTxx, Headphone Mode, Load = 16 Ω

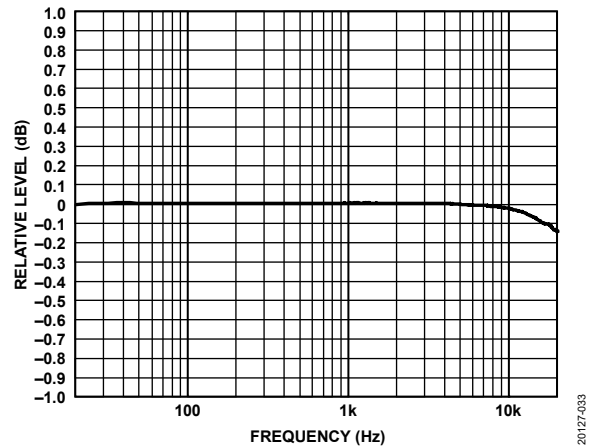


Figure 33. Relative Level vs. Frequency, $f_s = 48$ kHz, Signal Path = SDATA1_x to HPOUTxx/LOUOutxx, 16 Ω or 10 k Ω

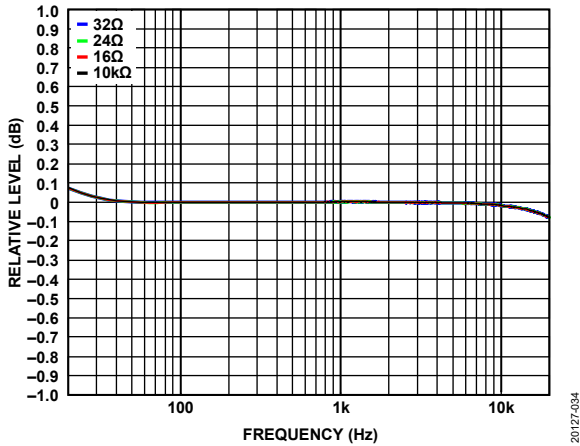


Figure 34. Relative Level vs. Frequency, $f_s = 768$ kHz, Signal Path = SDATAI_x to Interpolator to FastDSP to HPOUTxx/LOUTxx, 16 Ω to 10 k Ω

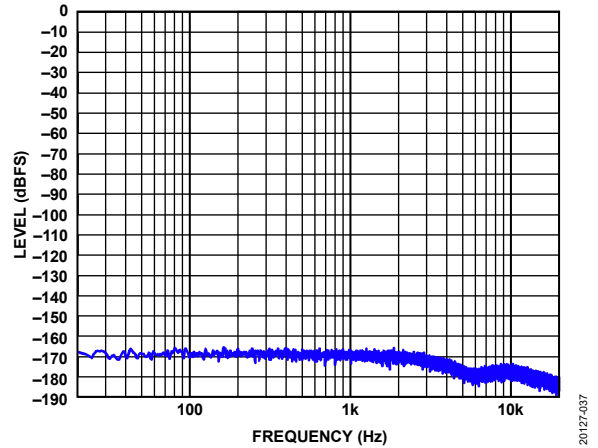


Figure 37. FFT, No Signal, $f_s = 48$ kHz Throughout Except FastDSP = 768 kHz, Signal Path = SDATAI_x to SigmaDSP to Interpolator to FastDSP to Decimator to SDATAO_x

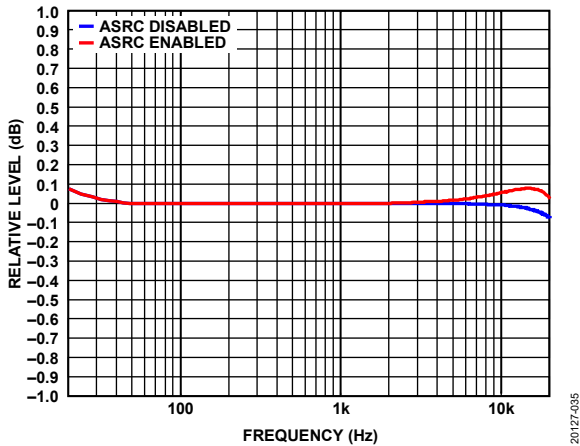


Figure 35. Relative Level vs. Frequency, $f_s = 48$ kHz Throughout Except FastDSP = 768 kHz, Signal Path = SDATAI_x to ASRCI to SigmaDSP to Interpolator to FastDSP to Decimator to ASRCO to SDATAO_x

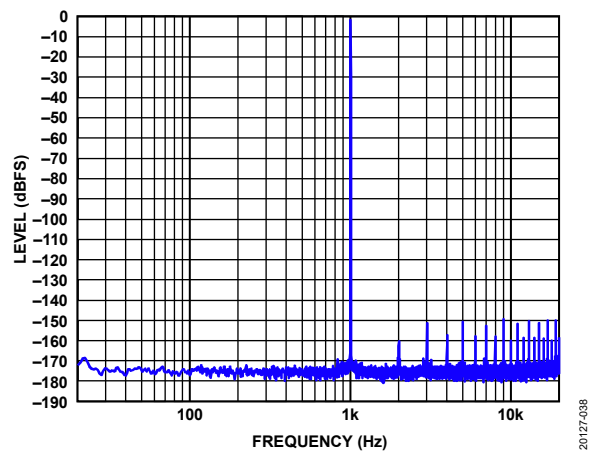


Figure 38. FFT, -1 dBFS, $f_s = 48$ kHz Throughout Except FastDSP = 768 kHz, Signal Path = SDATAI_x to ASRCI to SigmaDSP to Interpolator to FastDSP to Decimator to ASRCO to SDATAO_x

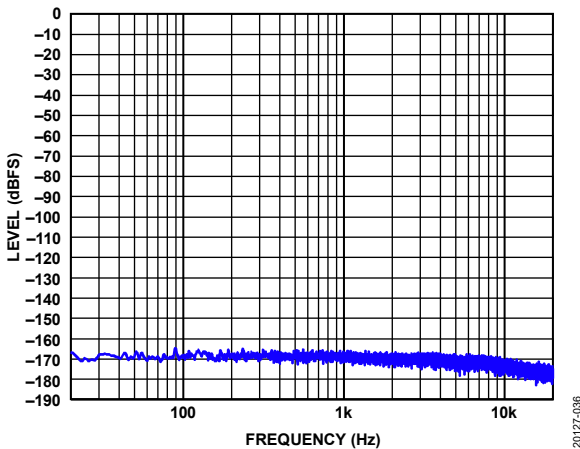


Figure 36. FFT, No Signal, $f_s = 48$ kHz Throughout Except FastDSP = 768 kHz, Signal Path = SDATAI_x to ASRCI to SigmaDSP to Interpolator to FastDSP to Decimator to ASRCO to SDATAO_x

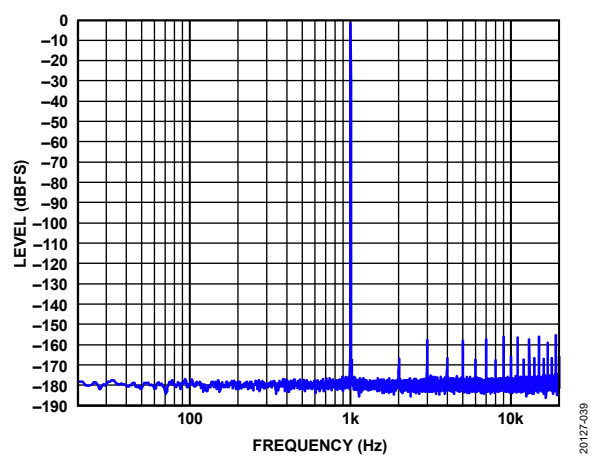


Figure 39. FFT, -1 dBFS, $f_s = 48$ kHz Throughout Except FastDSP = 768 kHz, Signal Path = SDATAI_x to SigmaDSP to Interpolator to FastDSP to Decimator to SDATAO_x

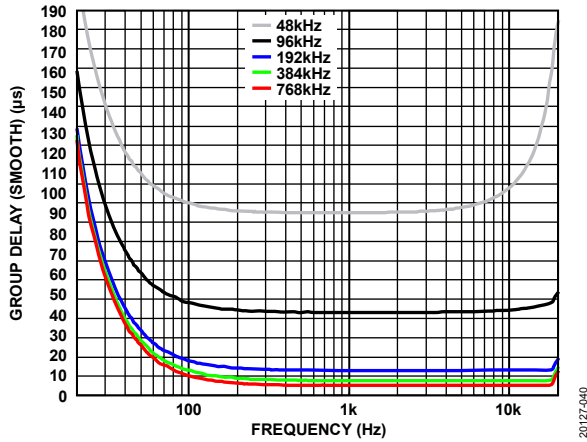


Figure 40. Group Delay (Smooth) vs. Frequency, $f_s = 192$ kHz to 768 kHz, Signal Path = AINx to FastDSP to HPOUTxx/LOUTxx

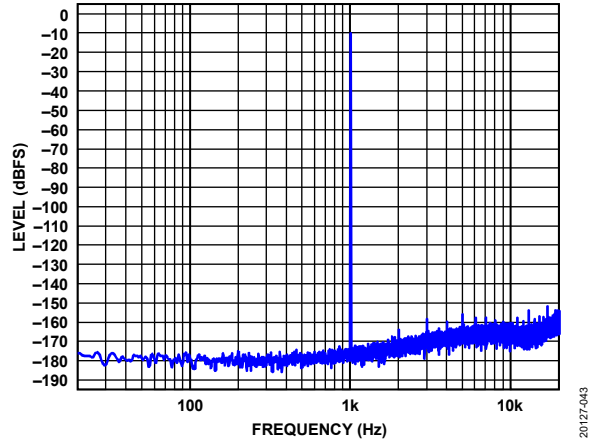


Figure 43. FFT, -10 dBFS, DMIC_CLKx_RATE = 3.072 MHz, Signal Path = DMICxx to SDATAO_x

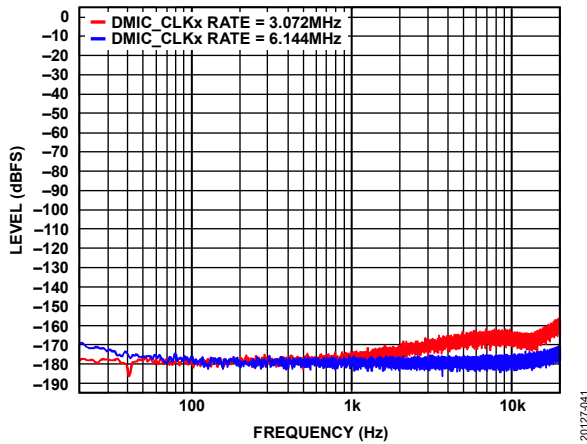


Figure 41. FFT, No Signal, DMIC_CLKx_RATE = 3.072 MHz to 6.144 MHz, Signal Path = DMICxx to SDATAO_x

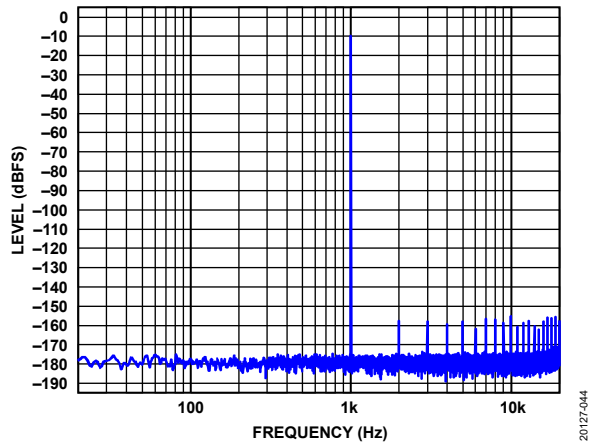


Figure 44. FFT, -10 dBFS, DMIC_CLKx_RATE = 3.072 MHz, Signal Path = DMICxx to SDATAO_x

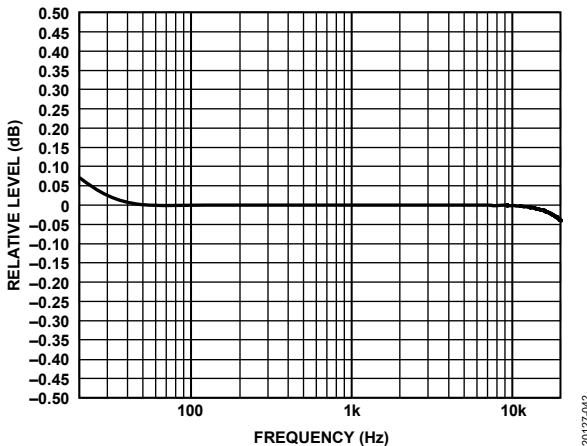


Figure 42. Relative Level vs. Frequency, DMIC_CLKx_RATE = 3.072 MHz to 6.144 MHz, Signal Path = DMICxx to SDATAO_x

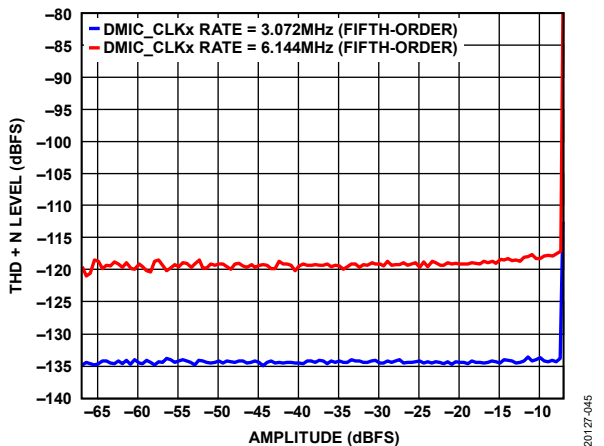


Figure 45. THD + N Level vs. Amplitude, -10 dBFS, DMIC_CLKx_RATE = 3.072 MHz to 6.144 MHz, Signal Path = DMICxx to SDATAO_x

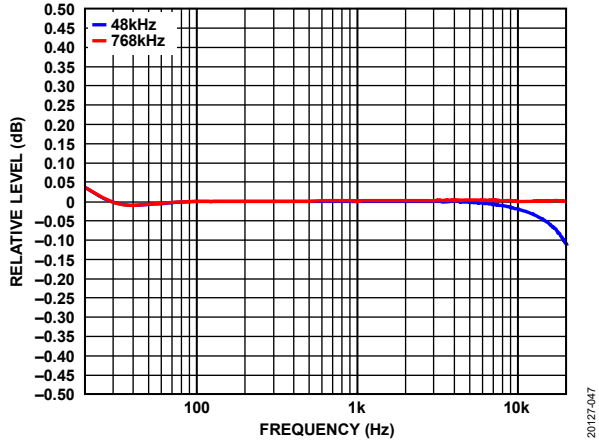


Figure 46. Relative Level vs. Frequency, Headphone/Line Output Mode, Load = 16 Ω to 10 kΩ, $f_s = 48$ kHz and 768 kHz, Signal Path = AIN0 to DAC0

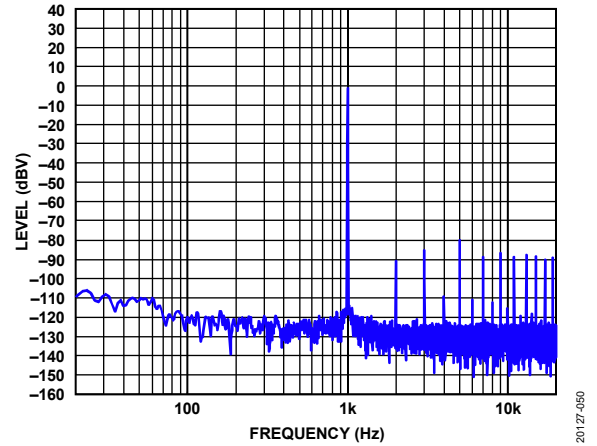


Figure 49. FFT, -1 dBV, Headphone Mode, Load = 16 Ω, $f_s = 48$ kHz to 768 kHz, Signal Path = AINx to HPOUTxx

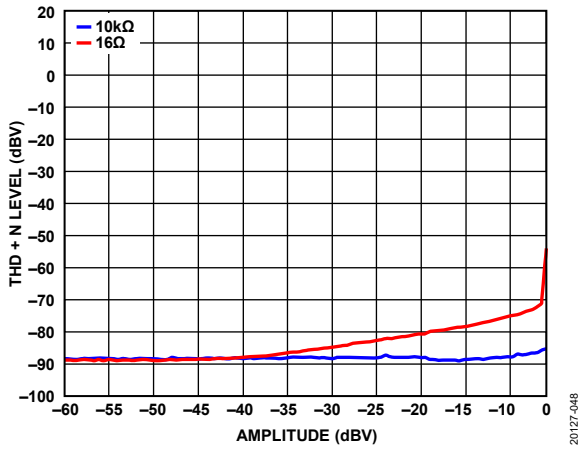


Figure 47. THD + N Level vs. Amplitude, $f_s = 48$ kHz to 768 kHz, Load = 10 kΩ and 16 Ω, Signal Path = AINx to HPOUTxx/LOUTxx

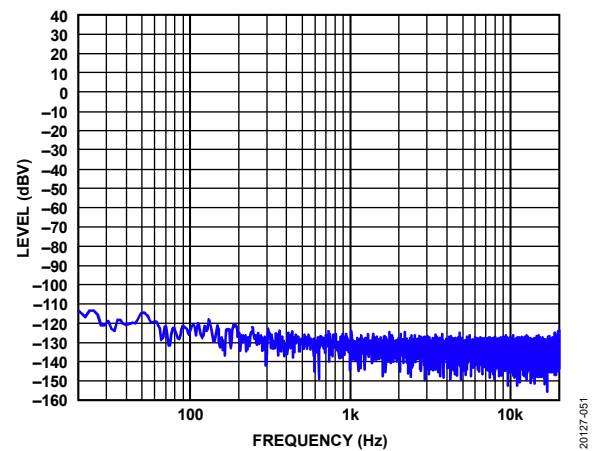


Figure 50. FFT, No Signal, Load = 16 Ω to 10 kΩ, $f_s = 48$ kHz to 768 kHz, Signal Path = AINx to HPOUTxx/LOUTxx

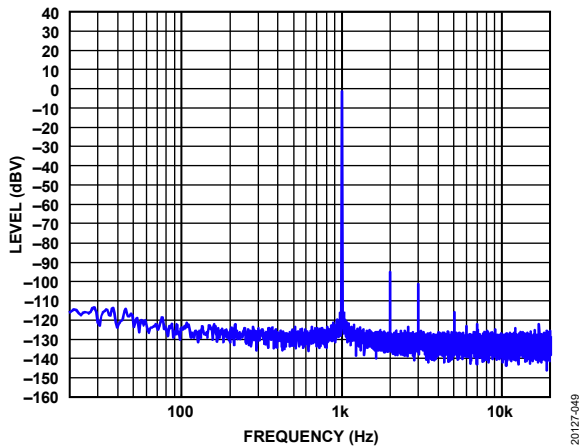


Figure 48. FFT, -1 dBV, Line Output Mode, Load = 10 kΩ, $f_s = 48$ kHz to 768 kHz, Signal Path = AIN0 to LOU TLx

SYSTEM BLOCK DIAGRAM

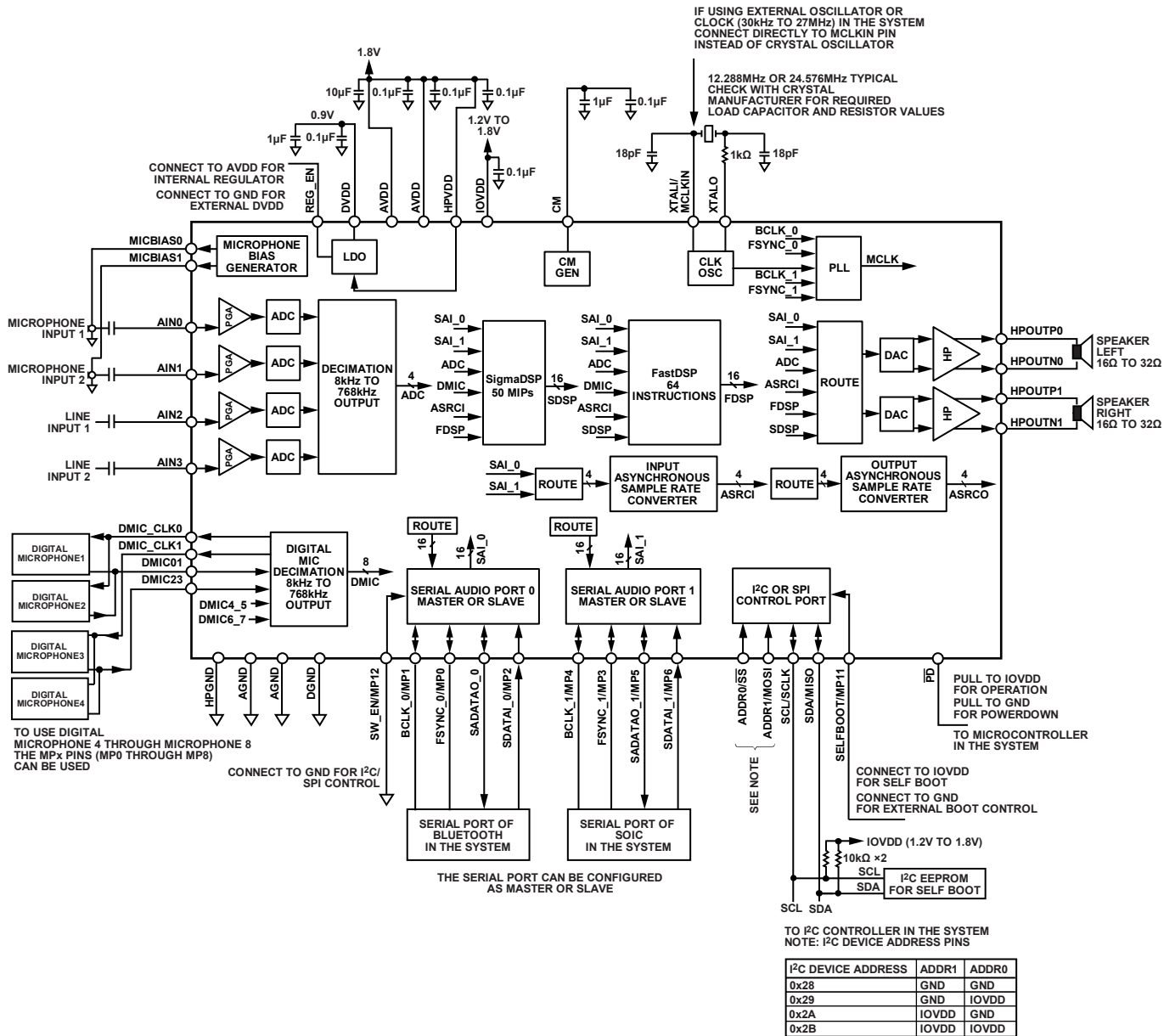


Figure 51. ADAU1787 System Block Diagram with Analog Microphones, Self Boot Mode

THEORY OF OPERATION

The ADAU1787 is a low power audio codec with optimized audio processing cores, making the device ideal for noise cancelling applications that require high quality audio, low power, small size, and low latency. The four ADC and two DAC channels each have an SNR of at least 96 dB and a THD + N of at least -88 dB. The two serial audio ports are compatible with I²S, left justified, right justified, and TDM modes, with tristating for interfacing to digital audio data. The operating voltage is 1.8 V, with an on-board regulator generating the digital supply voltage. If desired, the regulator can be powered down, and the voltage can be supplied externally.

The input signal path includes flexible configurations that can accept single-ended analog microphone inputs as well as up to eight digital microphone inputs. Two microphone bias pins provide seamless interfacing to electret microphones. Each input signal has its own PGA for volume adjustment.

The ADCs and DACs are high quality, 24-bit Σ - Δ converters that operate at a selectable 12 kHz to 768 kHz sampling rate. The ADCs and DACs have an optional high-pass filter with a cutoff frequency of 1 Hz and fine-step digital soft volume controls.

The stereo DAC output is capable of differentially driving a headphone earpiece speaker with 16 Ω impedance or higher. There is also the option to change to line output mode when the output is lightly loaded.

The SigmaDSP core is optimized for low power audio processing. This core can be graphically programmed using the [SigmaStudio](#)[®] software from Analog Devices, Inc. This software includes a library of audio processing blocks such as filters, dynamics processors, mixers, and low level DSP functions for fast, graphical development of custom signal flows.

The FastDSP core has a reduced instruction set that optimizes this codec for noise cancellation. The program random access memory (RAM) and parameter RAM can be loaded with a custom audio processing signal flow built using [SigmaStudio](#). The values stored in the parameter RAM control individual signal processing blocks.

The ADAU1787 also has a self-boot function that can load the program and parameter RAMs of both cores along with the register settings on power-up using an external electronically erasable programmable read-only memory (EEPROM).

Use the [SigmaStudio](#) software to program and control the cores through the control port. Along with designing and tuning a signal flow, the tools can configure all of the ADAU1787 registers. The [SigmaStudio](#) graphical user interface (GUI) allows anyone with digital or analog audio processing knowledge to design the DSP signal flow and export the flow to a target application. The interface also provides enough flexibility and programmability for an experienced DSP programmer to have control of the design. In [SigmaStudio](#), the user can connect graphical blocks (such as biquad filters, volume controls, and arithmetic operations), compile the design, and load the program and parameter files into the ADAU1787 memory through the control port. [SigmaStudio](#) also allows the user to download the design to an external EEPROM for self boot operation.

The ADAU1787 can generate the internal clocks from a wide range of input clocks by using the on-board bypassable fractional PLL. The PLL accepts inputs from 30 kHz to 27 MHz. For standalone operation, the clock can be generated using the on-board crystal oscillator.

The ADAU1787 is provided in a small, 42-ball, 2.695 mm \times 2.320 mm WLCSF.

SYSTEM CLOCKING AND POWER-UP

POWER-DOWN OPERATION AND OPTIONS

When pulled low, the $\overline{\text{PD}}$ pin puts the chip in the lowest power state, hardware full chip power-down. If the regulator is used, it also powers down during this state. The chip fully resets in this state and retains no state memory. No communication with the device is possible when the $\overline{\text{PD}}$ pin is low.

By default, out of reset, the chip is in the lowest power state that can be entered via a control interface, software full chip power-down. To enter or exit this power state, use the `POWER_EN` bit, Bit 0 of Register 0xC00D. When `POWER_EN = 0`, the I²C/SPI control ports are operational, and everything else is powered down except for the regulator and the crystal, if used. To achieve the lowest power state, set the `XTAL_EN` bit (Bit 1 of Register 0xC005) = 0. The digital portion of the chip has several power domains. By default, only the domain that powers the control ports and their associated registers are powered on, and the rest of the digital design has its power supplies gated, and its state is lost.

There are two options to retain additional state memory during a software full chip power-down. The `KEEP_SDSP` and `KEEP_FDSP` bits, Bit 1 and Bit 0 of Register 0xC00C, respectively, can retain the state of the SigmaDSP program and parameter memories and/or the FastDSP program and parameter memories. The control register map always retains its state when `POWER_EN = 0`.

When `POWER_EN = 0`, the CM pin or the common-mode output can either maintain its state or not by using the `CM_KEEP_ALIVE` bit, Bit 4 of Register 0xC00C. When `CM_KEEP_ALIVE = 0`, the CM voltage is lost when `POWER_EN = 0`, thus producing the lowest possible software power-down current. However, with `CM_KEEP_ALIVE = 0`, the ADAU1787 has a longer turn on time because the PLL and other analog blocks rely on the CM voltage. A wait time of 35 ms is needed for CM to charge before any analog blocks, such as the PLL, can be enabled.

Conversely, with `CM_KEEP_ALIVE = 1`, the power-down current is higher, but the start-up time is faster because the 35 ms wait time can be omitted.

If `CM_KEEP_ALIVE = 1`, use the `CM_STARTUP_OVER` bit, Bit 2 of Register 0xC00D, to fast charge the CM voltage and to have the lowest turn on time by setting `CM_STARTUP_OVER = 0` before `POWER_EN` is set to 1. Then, after the 35 ms wait time, set `CM_STARTUP_OVER = 1` to keep power consumption low. The reset state of `CM_STARTUP_OVER` is 0. Therefore, if the $\overline{\text{PD}}$ pin is used to power down the device, the step of setting `CM_STARTUP_OVER` to 0 can be omitted.

When `POWER_EN = 1`, the power supplies on the rest of the digital portion of the chip are enabled. Therefore, this register must be set first during the power-up sequence.

The PLL and crystal must be configured and enabled after `CM_STARTUP_OVER` sequencing is complete. After all the internal digital power supplies are powered up, the PLL is locked, and other needed sequencing is complete, the `POWER_UP_COMPLETE` bit (Bit 7, Register 0xC0AB) or an interrupt request (IRQ) indicates such. The `IRQ1_POWER_UP_COMPLETE` is Bit 4 of Register 0xC0B1. The `IRQ2_POWER_UP_COMPLETE` is Bit 4 of Register 0xC0B4. If the IRQs are used to request an interrupt after `POWER_UP_COMPLETE`, the IRQs must be unmasked. The `IRQ1_POWER_UP_COMPLETE_MASK` bit (Bit 4, Register 0xC0A4) must be cleared. Similarly, the `IRQ2_POWER_UP_COMPLETE` (Bit 4, Register 0xC0A7) must be cleared. By default, the IRQs for `POWER_UP_COMPLETE` are masked.

After `POWER_UP_COMPLETE = 1`, the DSP memories can be programmed.

The ADAU1787 has highly flexible block level power controls. Each individual channel of each block can be powered on or off separately. There is a control bit, `MASTER_BLOCK_EN`, that by default is 0 and that overrides all block level enables except for `PLL_EN`, `XTAL_EN`, `SDSP_EN`, and `FDSP_EN`. The PLL, SigmaDSP, and FastDSP can be enabled, even when `MASTER_BLOCK_EN = 0`. All other blocks are always in power-down in this state, allowing the PLL to be enabled and locked and the DSP memories to be initialized before all other signal path blocks are enabled.

When configuring the devices, it is recommended to fully set up all control registers and block level power controls to their desired state, to allow the PLL to lock, to initialize the DSP memories to be used, and then to enable the blocks by setting `MASTER_BLOCK_EN = 1`.

Block level power controls and other settings can be changed on-the-fly while the chip is active. However, care must be taken when enabling or disabling blocks other than the DAC and/or headphone mode blocks that are actively routed out to the DAC and/or headphone mode as audible artifacts may occur.

To power down the chip, set MASTER_BLOCK_EN and POWER_EN low. The device then powers down all blocks and performs any required power-down sequencing.

An overview of the power-up sequencing follows:

1. Set $\overline{PD} = 1$ if using \overline{PD} to turn on the low dropout (LDO) regulator, if in use.
2. Wait 20 ms if REG_EN = 1.
3. If CM_KEEP_ALIVE = 0 and REG_EN = 0, ensure that CM_STARTUP_OVER = 0.
4. Set POWER_EN = 1 to ungate all power domains on the digital side.
5. If CM_KEEP_ALIVE = 0 and REG_EN = 0, ensure that CM_STARTUP_OVER = 0.
6. If CM_KEEP_ALIVE = 0 and REG_EN = 0, wait 35 ms.
7. Set CM_STARTUP_OVER = 1.
8. Set XTAL_EN = 1 if the crystal is being used.
9. Configure the PLL using CLK_CTRLx registers and set the XTAL_EN and PLL_EN bits if in use.
10. Configure all other setup bits while the PLL is locking (or at any other time after $\overline{PD} = 1$).
11. Ensure that all digital power domains are finished powering up, the PLL is locked, and the sequencing is complete by reading the PLL_LOCK bit in Register 0xC0AB. Verify POWER_UP_COMPLETE bit = 1. If this bit is set to 1, proceed further or wait until this bit is set to 1.
12. Ensure that SDSP_EN and FDSP_EN = 1 and initialize the static RAMs (SRAMs).
13. Set MASTER_BLOCK_EN = 1 to power up all the blocks that are enabled.
14. Set FDSP_RUN and SDSP_RUN to 1 for the DSPs to operate.

EXAMPLE ADC TO DAC POWER-UP

To illustrate the power-on sequencing, an example sequence of register writes (and associated wait times) follows that provides the fastest possible passthrough from ADC0 to DAC0 of the ADAU1787. This sequence assumes a default MCLK input of 24.576 MHz.

- Apply AVDD and IOVDD.
 - Apply DVDD if REG_EN = 0.
- If REG_EN = 1, wait 20 ms for DVDD to settle.
- Set POWER_EN = 1 by writing 0x11 to Register 0xC00D.
- Wait 35 ms for the CM voltage to power up and stabilize.
- While waiting, configure the following registers:
 - Enable ADC0 and DAC0 by writing 0x11 to Register 0xC004.
 - Set DAC0 routing to ADC0 by writing 0x44 to Register 0xC03E.
 - Unmute DAC0 by writing 0x84 to Register 0xC03B.
- After 35 ms have elapsed, set CM_STARTUP_OVER = 1 by writing 0x15 to Register 0xC00D.
- Write 0x01 to Register 0xC005 to enable the PLL.
- Set MASTER_BLOCK_EN = 1 by writing 0x17 to Register 0xC00D.

The total time from power-up to the ADC0 signal being present on DAC0 is ~80 ms.

DVDD LDO REGULATOR

There is an LDO voltage regulator that can optionally generate the DVDD supply from the HPVDD supply. If the REG_EN pin is tied to ground, this regulator disables, and an appropriate DVDD voltage must be supplied externally on the DVDD pin. If the REG_EN pin is tied to AVDD, the LDO regulator enables and generates the required DVDD voltage.

The DLDO_CTRL bit determines the voltage of the LDO output. By default, the output is set to 0.9 V.

The LDO requires the CM voltage to operate. Therefore, even if CM_KEEP_ALIVE = 1, the CM output remains present if POWER_EN = 0. Therefore, to achieve the lowest possible power-down power when REG_EN = 1, set the \overline{PD} low.

CLOCK INITIALIZATION

The ADAU1787 can generate its clocks either from an externally provided clock on the BCLK_0, BCLK_1, FSYNC_0, FSYNC_1, or MCLKIN pin or from a crystal oscillator. In both cases, the on-board PLL can be used or the clock can be fed directly to the core. When a crystal oscillator is used, the crystal oscillator function must be enabled in the XTAL_EN and XTAL_MODE bits. If the PLL is used, it must always be set to output 49.152 MHz. The PLL can be bypassed if a clock of 24.576 MHz is available in the system, which can be accomplished by setting PLL_BYPASS = 1. Bypassing the PLL saves system power but limits the processing available in the SigmaDSP to the lower clock rate.

PLL Enabled Setup

To program the PLL during initialization or reconfiguration of the codec, take the following steps:

1. Ensure that POWER_EN = 1.
2. Ensure that PLL_EN = 0.
3. Set the PLL control registers (Register 0xC00E through Register 0xC015).
4. Write 1 to PLL_UPDATE in Register 0xC016 to propagate the PLL settings.
5. Enable the PLL using the PLL_EN bit.

Other blocks can be powered up while the PLL is not enabled or locked. However, if the PLL is enabled and not locked, all other circuitry waits until the PLL is locked to begin the power-up sequences.

Control Port Access During Initialization

Any control registers can be accessed at any time during initialization, before PLL is enabled, or during PLL lock. To access SigmaDSP memories, SDSP_EN must be set to 1, and the PLL must be locked, if in use. To access FastDSP memories, FDSP_EN must be set to 1, and the PLL must be locked, if in use.

PLL

The PLL can use any of the BCLK_x, FSYNC_x, or MCLKIN signals as a reference to generate the core clock, and the source is selected via the PLL_SOURCE bits. Depending on the input clock frequency, the PLL must be set for either integer or fractional mode. The PLL can accept input frequencies in the range of 30 kHz to 27 MHz. The PLL output frequency can be set to be between 32 MHz and 50 MHz. All internal sampling rates specified within the data sheet assume a PLL output frequency of 49.152 MHz, which is a 1024 × 48 kHz sample rate. If the PLL output is set at a different frequency, all internal sampling rates adjust accordingly. For example, if the PLL output is set at 32.768 MHz, which is 1024 × 32 kHz, all internal sampling rates must be adjusted by 32 kHz ÷ 48 kHz or 0.667 ratio.

PLL Bypass Operation

The chip can function with the PLL disabled if the PLL is bypassed by setting the PLL_BYPASS bit to 1 and providing a fixed 24.576 MHz clock to the core via the PLL_SOURCE bits and appropriate MCLKIN/BCLK_x pin. All blocks operate the same in PLL bypass mode except the SigmaDSP, which runs at half speed relative to the PLL being on and, therefore, can only execute half as many instructions.

Input Clock Divider

Before reaching the PLL, the input clock signal goes through an integer clock divider to ensure that the clock frequency is within a suitable range for the PLL. The PLL_INPUT_PRESCALER bits set the PLL input clock divide ratio.

The input frequency limits of the PLL are specified after this input prescale divider. Therefore, the frequency after division must fall within specified range.

Integer Mode

Integer mode is used when the PLL output is an integer multiple of the PLL input clock.

For example, if the PLL input clock = 12.288 MHz and the PLL_INPUT_PRESCALER + 1 = 1, the PLL required output = 49.152 MHz. Therefore, R = 49.152 MHz/12.288 MHz = 4, where R is PLL_INTEGER_DIVIDER.

Another example is as follows, if PLL input clock = 48 kHz, the PLL required output = 49.152 MHz, then R = 49.152 MHz/48 kHz = 1024.

In integer mode, the values set for N and M are ignored. Figure 52 lists common integer PLL parameter settings for 48 kHz sampling rates.

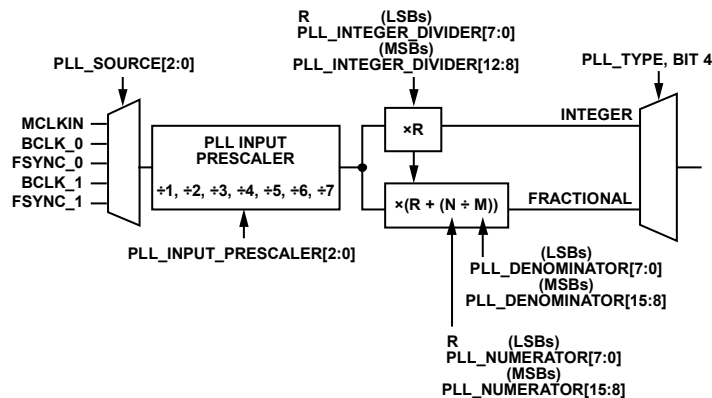


Figure 52. PLL Block Diagram

Table 13. Integer PLL Parameter Settings for PLL Output = 49.152 MHz

PLL Input	Input Prescaler (X)	Integer (R)	Denominator (M)	Numerator (N)
32.768 kHz	0	1500	Don't care	Don't care
48 kHz	0	1024	Don't care	Don't care
12.288 MHz	0	4	Don't care	Don't care
24.576 MHz	0	2	Don't care	Don't care

Fractional Mode

Fractional mode is used when the clock input is a fractional multiple of the PLL output.

For example, if MCLKIN = 13 MHz and f_s = 48 kHz, the PLL required output = 49.152 MHz and

$$(R + (N/M)) = 49.152 \text{ MHz}/13 \text{ MHz} = (3 + (1269/1625))$$

where:

$$R = 3.$$

$$N = 1269.$$

$$M = 1625.$$

Table 14 lists common fractional PLL parameter settings for 48 kHz sampling rates. When the PLL is used in fractional mode, it is important that the N/M fraction be kept within the 0.1 ≤ N/M ≤ 0.9 range to ensure correct operation of the PLL.

When used in fractional mode, the input to the PLL after the input divider must be ≥1 MHz.

MULTICHIP PHASE SYNCHRONIZATION

Multiple ADAU1787 devices can be ensured to remain in phase synchronization across the respective audio channels of the devices by setting the SYNC_SOURCE bit settings to use the same signal that both chips share. SYNC_SOURCE can be set to derive the phase synchronization signal from FSYNC_x. If only the shared serial ports between the two ICs are asynchronous to the core clock, then the SYNC_SOURCE must use the input asynchronous sample rate converter (ASRC). Alternatively, if no serial port is used, an internal synchronization source can be used.

Table 14. Fractional PLL Parameter Settings for PLL Output = 49.152 MHz

PLL Input (MHz)	Input Divider (X + 1)	Integer (R)	Denominator (M)	Numerator (N)
13	1	3	1625	1269
19.2	1	2	25	14

CLOCK OUTPUT

A clock output of varying divisions of the PLL output can be generated on any of the MPx pins.

POWER SUPPLY SEQUENCING

AVDD, HPVDD, and IOVDD are nominally 1.8 V, and DVDD is set at 0.9 V when using the on-board regulator.

On power-up, AVDD and HPVDD must be powered up before or at the same time as IOVDD. Do not power up IOVDD when power is not applied to AVDD.

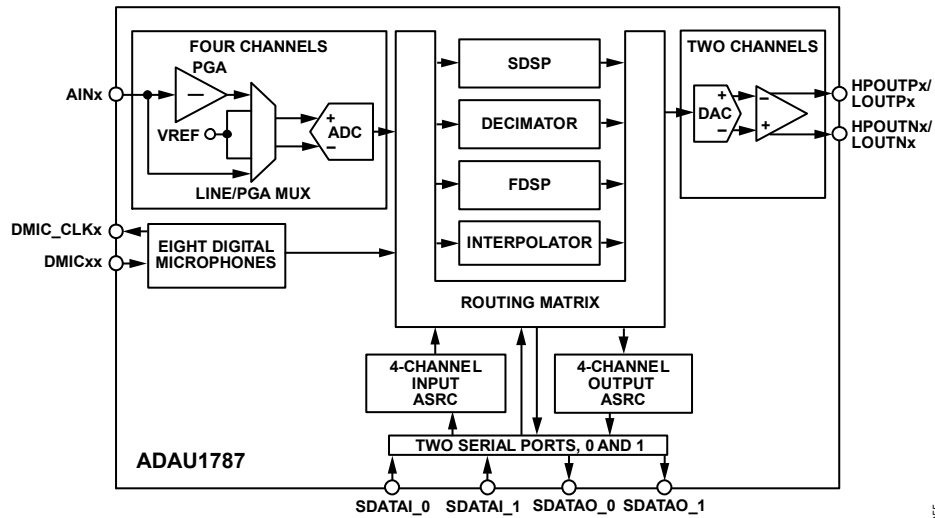
Enabling the $\overline{\text{PD}}$ pin powers down all analog and digital circuits and resets the devices to its default state. Before enabling $\overline{\text{PD}}$ (that is, setting it low), mute the outputs to avoid any pops when the IC is powered down.

$\overline{\text{PD}}$ can be tied directly to IOVDD for normal operation.

Power-Down Considerations

When powering down the ADAU1787, mute or power down the outputs before the power supplies are removed. Otherwise, pops or clicks may be heard.

SIGNAL ROUTING



NOTES
 1. VREF IS THE INTERNAL VOLTAGE REFERENCE.

Figure 53. Input and Output Signal Routing

20127-055

INPUT SIGNAL PATHS

ANALOG INPUTS

The ADAU1787 can accept both line level and microphone inputs. Each of the four analog input channels can be configured in single-ended mode or single-ended with PGA mode. There are also inputs for up to eight digital microphones. The analog inputs are biased at the CM voltage. Connect unused input pins to the CM pin or ac-couple the pins to ground.

Phase Difference Various Signal Path ADAU1787

Figure 55 shows the phase variation between various blocks within the ADAU1787. The gray waveform shows the signal path from analog in to digital output or analog output, and the black waveform shows the signal path from digital in to analog output.

There is phase inversion from the analog input and the ADC, and similarly, from the DAC and headphone outputs (see Table 15). However, there is no phase inversion in the digital blocks.

Input Impedance

The input impedance of the analog inputs varies with the gain of the PGA. This impedance ranges from 0.97 kΩ at the 35.25 dB gain setting to 20.26 kΩ at the 0 dB gain setting. The resistors inside the ADAU1787 are precisely matched to each other, resulting in very little gain error. However, the exact value of the resistors depends on various conditions in the silicon manufacturing process and can vary by as much as ±20%.

The optional 10 dB PGA boost, set in the PGAx_BOOST bits, does not affect the input impedance. This setting is an alternative way of increasing gain without decreasing input impedance.

With no PGA or line input mode, the input impedance is fixed at 14.3 kΩ.

Analog Microphone Inputs

For microphone signals, the ADAU1787 analog inputs can be configured in single-ended with PGA mode. The PGA settings are controlled in Register 0xC021 through Register 0xC029. The PGA is enabled by setting the PGAx_EN bits.

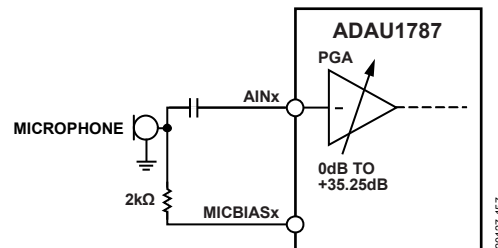


Figure 54. Single-Ended Line Inputs

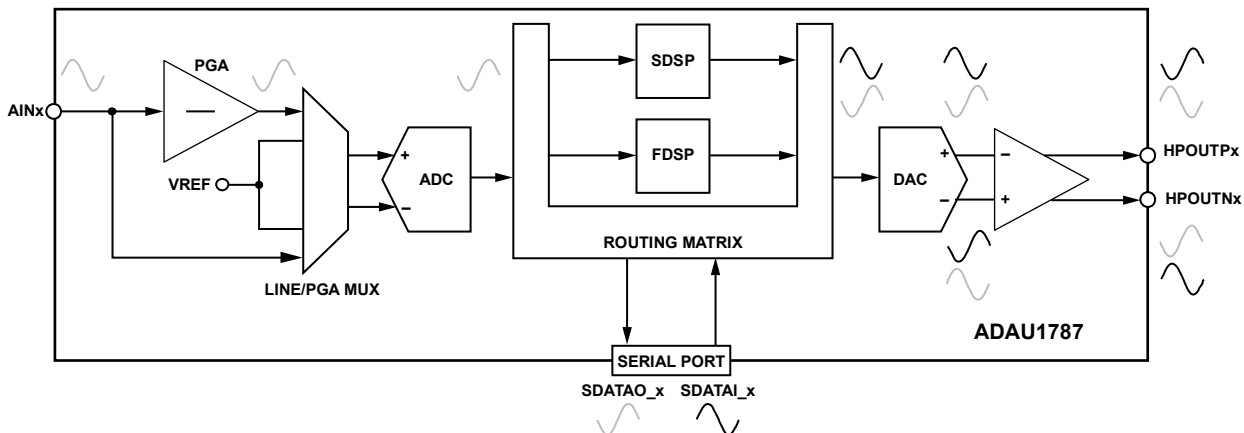


Figure 55. Phase Difference Between Input and Output Inside the ADAU1787

Table 15. Phase Difference Between the Input and Output Various Paths

Signal Path ¹	Phase in Degrees (°) ²
Analog In to ADC to Digital Output (Serial Port)	180
Analog In to PGA to ADC to Digital Output (Serial Port)	180
Analog In to ADC to DAC to HPOUT	0
Analog In to PGA to ADC to DAC to HPOUT	0
Digital In (Serial Port) to DAC to HPOUT	180

¹ Because there is no phase inversion in any of the digital blocks, adding or removing these blocks from the signal paths does not affect the phase difference except for any filters and/or signal processing blocks used in the DSP.

² The phase can also be inverted easily in SigmaDSP or FastDSP using the inversion cell.

Analog Line Inputs

Line level signals can be input on the AINx pins of the analog inputs. Figure 56 shows a single-ended line input using the AINx pins. When using single-ended line input, the PGA must be disabled using the PGAx_EN bits.

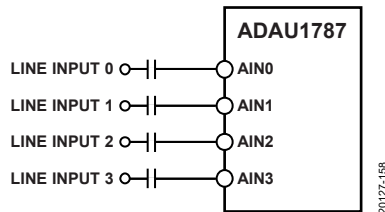


Figure 56. Single-Ended Line Inputs

Precharging Input Capacitors

Precharge amplifiers are enabled by default to quickly charge large series capacitors on the analog inputs. Precharging these capacitors prevents pops in the audio signal. The precharge circuits are powered up by default when an ADC channel is enabled and remain on for an amount of time determined by the ADC_AIN_CHRG_TIME bits register control. The internal impedance for the AINx pins is 750 Ω in this mode. However, at startup, the internal impedance is governed by the time constant of the reference voltage at the CM pin because the input precharge amplifiers use the CM voltage as a reference.

Microphone Bias

The ADAU1787 includes two microphone bias outputs: MICBIAS0 and MICBIAS1. These pins provide a voltage reference for electret analog microphones. The MICBIASx pins can also cleanly supply voltage to digital or analog MEMS microphones with separate power supply pins. The MICBIASx voltage is set in the microphone bias control register (MBIAS_CTRL). Using this register, either the MICBIAS0 or MICBIAS1 output can be enabled and disabled. The gain options provide two possible voltages: $0.65 \times AVDD$ or $0.9 \times AVDD$.

Many applications require enabling only one of the two bias outputs. Enable the two bias outputs when multiple microphones are used in the system or when the positioning of the microphones on the PCB does not allow one pin to bias all microphones.

PGAs

The PGAs have a programmable gain from 0 dB to 35.25 dB. The gain is controlled via the PGAx_GAIN registers. The gain can be increased by 10 dB by setting the PGAx_BOOST register to 1. The slew between gain steps is performed automatically when the PGAx_SLEW_DIS register is 0. When the PGAx_SLEW_DIS register is set to 1, the slew can be performed manually with the 5 LSBs of the PGAx_GAIN register. These bits are intended only for controlling smoother transitions between the 0.75 dB steps of the 6 MSBs (PGAx_GAIN[10:5]) and must only be set to a 0 when not transitioning the gain.

DIGITAL MICROPHONE INPUTS

When using a digital microphone connected to the DMIC01 and DMIC23 pins or the DMIC4_5 or DMIC6_7 flexible multi-purpose inputs, the corresponding DMICx_EN registers must be set to enable the digital microphone signal paths. The digital microphone channels can be swapped (left/right swap) by writing to the DMICxx_EDGE bits.

The digital microphone inputs are clocked from the DMIC_CLK0 or DMIC_CLK1 pins. The digital microphone data stream must be clocked by these pins and not by a clock from another source, such as another audio IC. The frequency of each DMIC_CLK output can be set individually via the DMIC_CLKx_RATE bits. Each digital microphone data input pin must be mapped to the corresponding DMIC_CLKx via the DMICxx_MAP registers.

Each digital microphone input pair has separate sample rate controls that determine the downsampling ratio. These controls are set via the DMICxx_FS bits. The output sample rate can be set between 12 kHz and 768 kHz. The initial decimation filter order can be selected between fourth- or fifth-order via the DMICxx_DEC_ORDER bits. The fourth-order selection yields the lowest propagation delay, and the fifth-order selection may be needed to maintain full performance with some high dynamic range microphones. The DMICxx_FCOMP bits control whether or not the high frequency roll-off of the decimation filter is compensated for. No compensation gives the lowest propagation delay but slight attenuation in the pass-band. There are separate digital volume controls and 1 Hz high-pass filters for each digital microphone channel.

The input pulse density modulation (PDM) is mapped directly to the relative pulse code modulation (PCM) full-scale. For example, a 50% PDM density input generates a -6 dBFS output with a volume control setting of 0 dB.

The digital microphone signals and the ADCs are completely independent and do not share decimation filters.

Digital Microphone Volume Control

The volume setting of each digital microphone channel can be digitally attenuated in the DMIC_VOLx registers. The volume can be set between +24 dB and -71.25 dB in 0.375 dB steps. The digital microphone volume can also be digitally muted in the DMICx_MUTE bits. By default the volume control performs a soft ramp when changed, which can be bypassed for instantaneous change of volume via the DMIC_HARD_VOL bit. The volume control for every channel can be set to use the Channel 0 volume via the DMIC_VOL_LINK bit. When a digital microphone channel is enabled, it starts immediately at the volume level set by its DMIC_VOLx register. When a digital microphone channel is disabled, it disables immediately and does not wait to ramp down the volume.

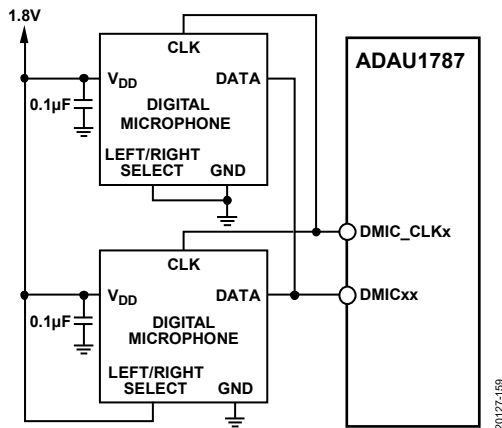


Figure 57. Digital Microphone Interface Block Diagram

ADCs

The ADAU1787 includes four 24-bit, Σ - Δ ADCs with a selectable sample rate of 12 kHz to 768 kHz.

ADC Full-Scale Level

The full-scale input to the ADCs (0 dBFS) is nominally 0.49 V rms. Signal levels above the full-scale value cause the ADCs to clip.

Digital ADC Volume Control

The volume setting of each ADC can be digitally attenuated in the ADCx_VOL registers. The volume can be set between +24 dB and -71.25 dB in 0.375 dB steps. The ADC volume can also be digitally muted in the ADCx_MUTE bits. By default, the volume control performs a soft ramp when changed, which can be bypassed for instantaneous change of volume via the ADC_HARD_VOL bit. The volume control for every channel can be set to use the Channel 0 volume via the ADC_VOL_LINK bit. When an ADC channel is enabled, it starts immediately at the volume level set by its ADCx_VOL register. When an ADC channel is disabled, it disables immediately and does not wait to ramp down the volume.

Filtering

A high-pass filter is available on the ADC path to remove dc offsets. This filter can be enabled or disabled by using the ADCx_HPF_EN bits. The corner frequency of this high-pass filter is set to 1 Hz.

The ADCxx_FCOMP bits control whether the high frequency roll-off of the decimation filter is compensated for or not. No compensation gives the lowest propagation delay but with slight attenuation in the pass-band.

OUTPUT SIGNAL PATHS

Data can be routed to the output DAC paths from the serial ports, the SigmaDSP core, the Fast DSP core, the ADCs, the digital microphones, or the input ASRCs. Both DAC channels must have a source at the same sample rate.

The analog output pins are capable of driving headphone or earpiece speakers. The line outputs can drive a load of at least 10 k Ω or can be put into headphone mode to drive headphones or earpiece speakers. The analog output pins are biased at the CM voltage.

ANALOG OUTPUTS

Headphone Output

The headphone output is differential. There are two differential outputs available at HPOUTP0 and HPOUTN0 for the first output and at HPOUTP1 and HPOUTN1 for the second output. The output pins can be set as a headphone driver by setting the HPx_MODE bits to 1 in the HP_CTRL register (Register 0xC040). The headphone outputs can drive a minimum load of at least 10 Ω . To mute or unmute the headphone output, use the DACx_MUTE bits.

Line Outputs

Set the output to line output mode by setting the HPx_MODE bits to 0. The analog output pins (HPOUTP0/LOUTP0, HPOUTN0/LOUTN0, HPOUTP1/LOUTP1, and HPOUTN1/LOUTN1) can drive differential loads of ≥ 10 k Ω . By default, these pins are set to line output mode. To mute or unmute the line output, use the DACx_MUTE bits

Pop and Click Suppression

To avoid clicks and pops, mute all analog outputs that are in use while changing any register settings that may affect the signal path. These outputs can then be unmuted after the changes have been made.

DACs

The ADAU1787 includes two 24-bit, Σ - Δ DACs. These converters can operate with input sampling frequencies of 12 kHz, 24 kHz, 48 kHz, 96 kHz, 192 kHz, 384 kHz, or 768 kHz. The sample rate is selectable via the DAC_FS bit. Ensure that all channels routed to the DACs are at the same sample rate.

There are two power options that trade off performance for lower power consumption in the DAC. DAC_LPM mode can set the DAC to run at a reduced oversampling ratio. The DAC_IBIAS control lowers the bias current to the DAC.

DAC Full-Scale Level

The full-scale output from the DACs (0 dBFS) is nominally 1 V rms for a differential output.

Digital DAC Volume Control and Filtering

The volume of each DAC channel can be digitally attenuated using the DACx_VOL registers. The volume can be set to be between +24 dB and -71.25 dB in 0.375 dB steps. The DAC volume can also be digitally muted in the DACx_MUTE bits. By default, the volume control performs a soft ramp when changed, which can be bypassed for instantaneous change of volume via the DAC_HARD_VOL bit. The volume control for both channels can be set to use the Channel 0 volume via the DAC_VOL_LINK bit. When a DAC channel is enabled, it starts at the lowest volume setting and ramps, if DAC_HARD_VOL = 0, to the volume level set by the corresponding DACx_VOL register. When a DAC channel is disabled, it ramps the volume from its current setting, if DAC_HARD_VOL = 0, to mute and then turns off.

A high-pass filter is available on the DAC path to remove dc offsets. This filter can be enabled or disabled using the DACx_HPF_EN bits. The corner frequency of this high-pass filter is set to 1 Hz.

The DAC linear interpolation filter can be selected via the DAC_MORE_FILT bit in Register 0xC03A. Setting DAC_MORE_FILT = 0 results in lower propagation delay at the expense of lower attenuation of out of band components.

PDM OUTPUTS

The ADAU1787 includes two channels of high performance, 1-bit PDM outputs suitable for driving an external amplifier or other peripheral with low latency. These PDM outputs can operate with input sampling frequencies of 12 kHz, 24 kHz, 48 kHz, 96 kHz, 192 kHz, 384 kHz, or 768 kHz. The sample rate is selectable via the PDM_FS bit. Ensure that all channels routed to the PDM outputs are at the same sample rate.

The PDM output modulators can run either at 3.072 MHz or 6.144 MHz, which is selected via the PDM_RATE bit. This bit also determines the rate of the PDM output clock.

The PDM output is sent over a 2-wire (PDM clock and PDM data) dual data rate interface. These two signals can be routed to any multipurpose (MPx) pin output via the respective MPx_MODE bits for each pin.

PDM Outputs Full-Scale Level

The full-scale PDM input results in the full-scale PDM outputs. The PDM modulator performance reduces at an output amplitude greater than -7.5 dBFS.

PDM Outputs Volume Control and Filtering

The volume of each PDM channel can be digitally attenuated using the PDM_VOLx registers. The volume can be set to be between $+24$ dB and -71.25 dB in 0.375 dB steps. The PDM volume can also be digitally muted in the PDMx_MUTE bits. By default, the volume control performs a soft ramp when changed, which can be bypassed for instantaneous change of volume via the PDM_HARD_VOL bit. The volume control for both channels can be set to use the Channel 0 volume via the PDM_VOL_LINK bit. When a PDM channel is enabled, it starts at the lowest volume setting and ramps, if PDM_HARD_VOL = 0, to the volume level set by its PDM_VOLx register. When a PDM channel is disabled, it ramps the volume from its current setting, if PDM_HARD_VOL = 0, to mute and then turn off.

A high-pass filter is available on the PDM path to remove dc offsets. This filter can be enabled or disabled by using the PDMx_HPF_EN bits. The corner frequency of this high-pass filter is set to 1 Hz.

The order of the final interpolation filter can be selected via the PDM_MORE_FILT bit. Selecting the lower order filter results in lower propagation delay at the expense of lower attenuation of out of band components.

ASRCs

The ADAU1787 includes ASRCs to enable asynchronous full-duplex operation of the serial ports. Four channels of ASRC are available for the digital outputs, and four channels of ASRC are available for the digital input signals.

The ASRCs can convert serial output data from the internal rate of up to 192 kHz back down to less than 8 kHz. All intermediate frequencies and ratios are also supported.

ASRCI can receive its inputs from one of the serial audio ports via the ASRCI_SOURCE bit. Each channel of the input ASRC can select its source from any of the 16 channels on the selected serial audio port via the ASRCIx_ROUTE bits. The output (internal) sample rate of the input ASRC is set via the ASRCI_OUT_FS bit.

The output ASRC channels can receive their inputs from many internal sources via the ASRCOx_ROUTE bits. Ensure that the sample rate of all sources to all of the channels of the output ASRC are at the same sample rate. The source of Channel 0 determines the internal sample rate of the output ASRC. The source of the channels to the output ASRC are set via the ASRCOx_ROUTE bits.

The output sample rate of the output ASRC must be linked to one of the serial ports and can be selected via the ASRCO_SAI_SEL bit.

The input and output ASRCs are fully independent and can operate on different serial ports.

The ASRCs automatically mute their outputs to zero data when the outputs are not locked. The state of each ASRC lock can be monitored via the ASRCI_LOCK and ASRCO_LOCK read only status bits. In addition, unlocked to locked or locked to unlocked transitions of each ASRC can be used as an interrupt source to the two interrupt controllers.

By default, the ASRCs use the high performance mode of operation. A lower power, lower performance mode of operation can be enabled via each ASRCs ASRCx_LPM bit control.

Additional filtering options are available to further customize the ASRCs to any application. Each ASRC has a ASRCx_VFILT bit that can enabled a voice band filter that provides additional rejection at the Nyquist frequency, which can be useful when using traditional voice band sampling frequencies. There is also an ASRCx_MORE_FILT control bit for each ASRC that provides additionally filtering of out of band energy and may improve performance in some conditions.

INTERPOLATION AND DECIMATION BLOCKS

The ADAU1787 includes blocks designed to convert audio from the fast sampling rate used for noise cancelling and the slow audio rate of the audio source. There are eight channels of fast to slow decimation and eight channels of slow to fast interpolation.

Every two channel pairs of each block can independently operate at different input and output rates than the other two channel pairs. Ensure that the sampling rate of each two channel pair inputs matches when selecting the inputs via the routing register controls. The input sampling rates are determined by the FDECxx_IN_FS and FINTxx_IN_FS bits and the output

sampling rates are determined by the FDECxx_OUT_FS and FINTxx_OUT_FS bits. For the interpolation block, the output rate must be set higher than the input rate. For the decimation block, the output rate must be set lower than the input rate.

SIGNAL LEVELS

Full-scale digital or 0 dBFS maps to the analog full-scale of the various converters. The SigmaDSP and FastDSP cores can maintain up to 24 dBFS internally but clip symmetrically to 0 dBFS at their outputs. By default, there is no gain adjustment between any block.

FastDSP CORE

The ADAU1787 FastDSP core is optimized for ANC processing. The processing capabilities of the core include biquad filters, limiters, expanders, multipliers, bit wise operations, clippers, volume controls, and weighted mixing. The core has inputs from all sources and sixteen outputs. The core is controlled with a 27-bit program word, with a maximum of 64 instructions per frame.

INSTRUCTIONS

A complete list of instructions and processing blocks can be found in the [SigmaStudio](#) software for the ADAU1787. The available instructions include the following:

- Single precision (27-bit fractional precision) biquad/second-order filters
- Double precision (54-bit fractional precision) biquad/second-order filters
- Lower precision (19-bit fractional precision) biquad/second-order filters
- Two to four input addition
- T connection in [SigmaStudio](#)
- Limiter with/without external detector loop or side chain input
- Expander with/without external detector loop or side chain input
- Linear gain
- Volume slider
- Mute
- Two input multiply
- Two to four input scale and mix
- Symmetrical clipper
- Absolute value
- Shift
- OR, AND, XOR, and INV
- Memory read or write

FILTER PRECISION

Different levels of fractional precision are available for filters in the FastDSP core. Using lower fractional precision results in lower power consumption than using higher precision. However, care must be taken to ensure that filters have enough precision to maintain stability.

FLAGS AND CONDITIONAL EXECUTION

Several flags can be set or not set on a per instruction basis. These flags are set based on the output of that instruction. These flags include the following:

- Output equals zero
- Output is not equal to zero
- Output is greater than zero
- Output is less than zero
- Output is greater than or equal to zero
- Output is less than or equal to zero

- Accumulator overflow

Each instruction can always execute or conditionally execute based on an individual flag or other states. The other states include the following:

- The logic state of MPx pins (MP0 to MP10), if used as GPIOs. The state of the output MPx pin can be set in Register 0xC092 and Register 0xC093 or SigmaDSP.
- The FDSP_REG_CONDO to FDSP_REG_COND7 bits are set high or low.
- The Modulo N counter equals zero.

The GPIOs can be used on any unused MPx pins. The state of the MPx pins used as GPIOs determines whether or not an instruction executes.

The FDSP_REG_CONDx bits are read/write bits that can be accessed via any of the control interfaces or via the SigmaDSP. The state of these registers determines whether or not an instruction executes.

The Modulo N counter is a counter that increments every frame of the FastDSP. The counter is reset to 0 after the number of frames is set in the FDSP_MOD_N bit. Instructions can execute every N frames set by the FDSP_MOD_N bit, which provides a mechanism to easily run some instructions at a lower rate than the frame rate.

When an instruction does not execute based on a condition, the instruction can be set to either do nothing or pass its input to its output.

INPUT SOURCES

Any instruction can use any of the following as an input source: any data register, any accumulator register, any serial port input channel, any digital microphone input, any ADC input, any SigmaDSP output, any ASRCI channel, or any output from the interpolation block.

The frame rate of the FastDSP must be set and determines when the program counter starts counting again at 0, which must be set to the sample rate of the fastest source. The source that the frame rate is determined by is set via the FDSP_RATE_SOURCE bits. If desired, the frame rate can be set independent of any source, and the rate can be set via the FDSP_RATE_DIV bits.

POWER AND RUN CONTROL

All program, parameter, and data memories for the FastDSP can be read or written from any control interface or the SigmaDSP when `POWER_EN = 1`, `FDSP_EN = 1`, and the PLL is locked, if in use.

A single register `FDSP_EN` powers up the FastDSP core to allow access to the memories. The FastDSP core starts processing when both `FDSP_EN = 1` and `FDSP_RUN = 1`.

DATA MEMORY

The ADAU1787 FastDSP datapath is 28 bits (5.23 format) and up to 24 dBFS is allowed. All inputs and outputs to FastDSP are 24 bits (1.23 format). The outputs are truncated to 24 bits so >0 dBFS on an output results in clipping. The data memory is 64 words. The double length memory enables the core to perform double precision arithmetic with double length data and single length coefficients.

Each instruction has four associated data/state memory locations. These locations can read at any time via the I²C or SPI or from the SigmaDSP.

PARAMETERS

Parameters, such as filter coefficients, limiter settings, and volume control settings, are saved in parameter memories. Each parameter is a 32-bit number. The format of this number depends on the associated instruction. The number formats of the different parameters are shown in Table 16 for the biquad instructions. When the parameter formats use less than the full 32-bit memory space, as with the limiter parameters, the data is LSB aligned.

Table 16. Parameter Number Format

Parameter Type	Format
Filter Coefficient (B0, B1, B2, A1, A2)	5.27

There are three parameter banks available. Each bank can hold a full set of 320 parameters (64 filters × 5 coefficients). Users can switch between Bank A, Bank B, and Bank C, allowing three sets of parameters to be saved in memory and switched on-the-fly while the core is running. Bank switching can be achieved by writing to the `FDSP_BANK_SEL` bits. Parameters in the active bank must only be updated via the FastDSP safelock registers while the core is running. If parameters are not updated in this way, a bad output likely results.

Parameters are assigned to instructions in the order in which the instructions are instantiated in the code.

PARAMETER BANK SWITCHING

Three banks of parameters are available: A, B, and C. At any given time, the FastDSP uses only one of these banks. The three banks allow coefficients for filters and variables for other instructions to easily be switched between different processing scenarios. The bank used is selected with the `FDSP_BANK_SEL` bits.

When the current bank is changed, the parameter values used for processing can either be changed on the next frame start or ramped via linear interpolation between the previously selected bank and the new bank indicated via the `FDSP_BANK_SEL` bits. To select this change or ramp, use the `FDSP_RAMP_MODE` bit. When the linear parameter ramp mode is selected, only the parameters associated with the three biquad instructions ramp. All parameters associated with other instructions change at the beginning of the next frame. Parameters in banks that are actively ramping do not change during a bank switch.

It is possible to stop the linear ramp of parameters between the two values in the previous and current bank. The `FDSP_LAMBDA` bits are a 6-bit value representing the point along the linear interpolation curve between the two banks at which the bank ramp switch stops. The lambda value can be updated on-the-fly via the control interfaces but only increased after a ramped bank switch is initiated. To complete a bank switch, set a value of 63 (default setting). The actual current ramp point (0 to 63) can be read via the `FDSP_CURRENT_LAMBDA` bits. When this value reaches 63, the bank switch is complete, and the current parameters used match the current bank. Parameters in the two banks being ramped between cannot be modified while a ramped bank switch is occurring.

An interrupt can be triggered to either interrupt controller via the `IRQx_PRAMP` interrupt source bits. This interrupt triggers on the first frame when a ramped bank switch is active and `FDSP_CURRENT_LAMBDA` equals `FDSP_LAMBDA`.

The rate at which the ramp between the two banks occurs is selectable via the `FDSP_RAMP_RATE` bits.

PARAMETER BANK COPYING

The parameters of any bank can be copied to any other bank with a single control write. There are six registers, `FDSP_COPY_xy`, for the six possible bank copy operations. Writing a 1 to one of these bits initiates a bank copy. After a bank copy initiates, the FastDSP waits until the start of the next frame, and then during the next frame copies the content of the banks while the associated instruction is executing. The bank copy completes at the start of the subsequent frame and takes at most two frames to complete from the initiation. Copying to the active bank is not permitted but results in no action being taken.

Table 17. Memory Addressing for FastDSP Core

Memory	Memory Size	Word Size	Base Address (Decimal)	Base Address (Hexadecimal)
Program	64	32	8192	0x2000
Bank A Parameter 0	64	32	8256	0x2040
Bank A Parameter 1	64	32	8320	0x2080
Bank A Parameter 2	64	32	8384	0x20C0
Bank A Parameter 3	64	32	8448	0x2100
Bank A Parameter 4	64	32	8512	0x2140
Bank B Parameter 0	64	32	8576	0x2180
Bank B Parameter 1	64	32	8640	0x21C0
Bank B Parameter 2	64	32	8704	0x2200
Bank B Parameter 3	64	32	8768	0x2240
Bank B Parameter 4	64	32	8832	0x2280
Bank C Parameter 0	64	32	8896	0x22C0
Bank C Parameter 1	64	32	8960	0x2300
Bank C Parameter 2	64	32	9024	0x2340
Bank C Parameter 3	64	32	9088	0x2380
Bank C Parameter 4	64	32	9152	0x23C0
State 0 (A1 High)	64	32	9216	0x2400
State 1 (A2 High)	64	32	9280	0x2440
State 2 (A1 Low)	64	32	9344	0x2480
State 3 (A2 Low)	64	32	9408	0x24C0

PARAMETER MEMORY ACCESS

Reads from any parameter memory bank from the I²C, SPI, or SigmaDSP are unrestricted if the FastDSP core is enabled but not running. Reads of unused parameter banks from the I²C, SPI, or SigmaDSP are unrestricted if the FastDSP core is enabled and running. While the core is running, if the I²C, SPI, or SigmaDSP try to access the same location on the same cycle, the SigmaDSP has priority, and the read from the I²C or the SPI returns all 0s.

Direct reads of in use banks from the I²C or the SPI, mREAD instruction, or SigmaDSP are not allowed and return 0s. A read of the current bank returns all 0s. Writes to all parameter banks are possible when the FastDSP core is enabled but not running. Writes to unused banks are possible at any time. While the core is running, if the I²C, SPI, or SigmaDSP try to write to the same location on the same cycle, the SigmaDSP has priority, and the write from the I²C or the SPI does not occur.

FastDSP PARAMETER SAFELOAD

The parameter memory for a single instruction can be updated in real time on the active bank via the safeload mechanism over the control interface. Set the instruction number in the FDSP_SL_ADDR register, set the parameter values in the FDSP_SL_Py_x registers, and write a 1 to the FDSP_SL_UPDATE register. After these settings and write occur, all parameters for that instruction are updated at the same time with the values in the FDSP_SL_Py_x registers at the beginning of the next frame.

There is a second FastDSP safeload interface that is mapped to the data memory space of the SigmaDSP, which allows the SigmaDSP to have word addressable access.

SigmaDSP CORE

The ADAU1787 has an integrated SigmaDSP core that provides audio signal processing functions for improving the performance of the playback system. The signal processing flow is designed using the [SigmaStudio](#) programming environment, which allows graphical schematic entry and real-time control of all signal processing functions and registers.

The SigmaDSP core does not begin a processing frame until it receives a go signal from the go source. The go signal is sent to the SigmaDSP after the signal is present at the go source. Set the go source by using the SDSP_RATE_SOURCE bits. Set the SDSP_RUN bit to 1 to enable the SigmaDSP core to run after it receives a go signal.

By default, with SDSP_SPEED = 0, the core runs at 24.576 MHz, giving 512 cycles of processing per each 48 kHz sample period. With SDSP_SPEED = 1, the core runs at 49.152 MHz, giving 1022 cycles of processing at 48 kHz.

Signal Processing Details

Standard library algorithms perform fixed point calculations in either 28-bit single precision or 56-bit double precision. The input and output word lengths of the DSP core are 24 bits, but the signals inside the core are extended automatically to 28 bits to create processing headroom. This headroom allows internal gains of up to 24 dB without clipping. Additional gains can be achieved by initially scaling down the input signal in the DSP signal flow. The DSP core output is 24 bits. Therefore, linear scaling, compression, or limiting may be necessary to prevent clipping on the output.

The DSP core consists of a simple 56-bit multiply accumulate (MAC) unit with two sources: data and coefficient. The data source can come from the data RAM, a read only memory (ROM) table of commonly used constant values, or the audio inputs to the core. The coefficient source can come from the parameter RAM or from a ROM table of commonly used constant values.

The two sources are multiplied in a 28-bit fixed point multiplier and the signal is then input to the 56-bit adder. The result is stored in one of three 56-bit accumulator registers. The accumulators can be output from the core in 28-bit format or can optionally be written back into the data or parameter RAMs.

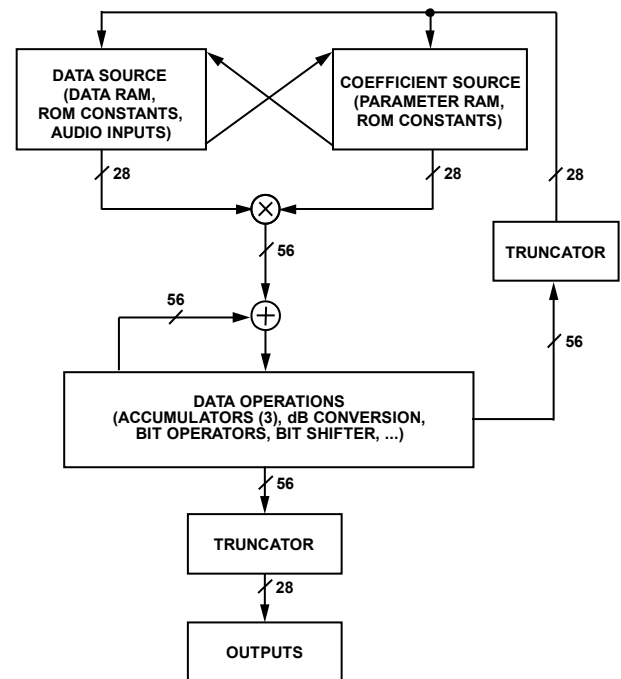


Figure 58. Simplified DSP Core Architecture

Program Counter

The execution of instructions in the core is governed by a program counter, which sequentially steps through the addresses of the program RAM. The program counter starts every time a start pulse signal is received. The start pulse signal occurs every time a new audio sample is received by the functional block, generating the start pulse. The source of the start pulse is selected by the SDSP_RATE_SOURCE control bits.

[SigmaStudio](#) inserts a jump to start command at the end of every program. The program counter increments sequentially until the counter reaches the jump to start command and then jumps to the program start address and waits for the next audio frame to clock into the core.

Watchdog

The SigmaDSP watchdog is a feature that monitors the amount of instructions used in the DSP and checks against an instruction limit set by the user. If the amount of instructions that are executed in the DSP exceeds this limit, the watchdog can notify other ICs in the system via an MPx pin.

Enable the watchdog via the SDSP_WDOG_EN bit in the SDSP_CTRL3 register. Set the value using the SDSP_WDOG_VAL bits in the SDSP_CTRL4 through SDSP_CTRL6 registers.

The SigmaDSP watchdog error is reported in DSP_STATUS register (Register 0xC0AE).

Features

The SigmaDSP core architecture is designed specifically for audio processing and, therefore, includes several features that maximize processing efficiency. Hardware accelerators, such as decibel conversion, trigonometric tables, and audio specific ROM constants provide improved processing power and simplified algorithm coding.

Numeric Formats

DSP systems commonly use a standard numeric format. Fractional numeric systems are specified by an AB format, where A is the number of bits to the left of the decimal point, and B is the number of bits to the right of the decimal point.

The ADAU1787 uses the Numeric Format 5.23 for both the parameter and data values.

Numeric Format 5.23

The linear range of the ADAU1787 numeric format is -16.0 to $+16.0 - 1 \text{ LSB}$.

For example,

- 1000 0000 0000 0000 0000 0000 0000 = -16.0
- 1110 0000 0000 0000 0000 0000 0000 = -4.0
- 1111 1000 0000 0000 0000 0000 0000 = -1.0
- 1111 1110 0000 0000 0000 0000 0000 = -0.25
- 1111 1111 0011 0011 0011 0011 0011 = -0.1
- 1111 1111 1111 1111 1111 1111 1111 = $+1 \text{ LSB below } 0$
- 0000 0000 0000 0000 0000 0000 0000 = $+0$
- 0000 0000 1100 1100 1100 1100 1101 = $+0.1$
- 0000 0010 0000 0000 0000 0000 0000 = $+0.25$
- 0000 1000 0000 0000 0000 0000 0000 = $+1.0$
- 0010 0000 0000 0000 0000 0000 0000 = $+4.0$
- 0111 1111 1111 1111 1111 1111 1111 = $+16.0 - 1 \text{ LSB}$

The serial port accepts up to 24 bits on the input and is sign extended to the full 28 bits of the DSP core.

Programming

On power-up, the ADAU1787 must be configured with a clocking scheme and then loaded with register settings. After the codec signal path is set up, the DSP core can be programmed.

With a 48 kHz sample rate, the internal clock rate is 49.152 MHz, resulting in 1024 instruction cycles per audio sample rate.

The device can be programmed using the SigmaStudio graphic tool provided by Analog Devices. No knowledge of writing line level DSP code is required. More information about SigmaStudio is available at www.analog.com/SigmaStudio.

READ/WRITE DATA FORMATS

The read/write formats of the control port are byte oriented to allow ease of programming of common microcontrollers. To fit the data into a byte oriented format, 0s are added to the data fields before the MSB to extend the data-word to a full 8 bits. For example, 28-bit words written to the parameter RAM are preceded by four leading 0s to create a 32-bit (4-byte) word, and 39-bit words written to the program RAM are preceded by one leading 0 to create a 40-bit (5-byte) word. These zero padded data fields are appended to a 3-byte field that consists of a 7-bit chip address, a read/write bit, and a 16-bit RAM/register address. The control port knows how many data bytes to expect based on the address given in the first three bytes.

The total number of bytes for a single location write command can vary from one byte (for a control register write) to five bytes (for a program RAM write). Use burst mode to fill the contiguous register or RAM locations. A burst mode write begins by writing the address and data of the first RAM or register location to be written to. Rather than ending the control port transaction (by issuing a stop command in I²C mode or by bringing the \overline{SS} signal high in SPI mode after the data-word), as in a single-address write, the next data-word can be written immediately without specifying its address. The ADAU1787 control port auto-increments the address of each write even across the boundaries of the different RAMs and registers. Burst mode is outlined in the respective control port sections.

SOFTWARE SAFELOAD

To update parameters in real time while avoiding pop and click noises on the output, the ADAU1787 uses a software safeload mechanism. The software safeload mechanism enables the SigmaDSP core to load new parameters into the RAM while guaranteeing that the parameters are not in use. The use of this mechanism prevents an undesirable condition where an instruction executes with a mix of old and new parameters.

[SigmaStudio](#) sets up the necessary code and parameters automatically for new projects. The safeload code, along with other initialization codes, fills the first 39 locations in the program RAM. The first eight parameter RAM locations (Address 0x0000 to Address 0x0007) are configured by default in [SigmaStudio](#) as described in Table 18.

Table 18. Software Safeload Parameter RAM Defaults

Address (Hex)	Function
0x0000	Modulo RAM size
0x0001	Safeload Data 1
0x0002	Safeload Data 2
0x0003	Safeload Data 3
0x0004	Safeload Data 4
0x0005	Safeload Data 5
0x0006	Safeload target address (offset of -1)
0x0007	Number of words to write/safeload trigger

Address 0x0000, which controls the modulo RAM size, is set by [SigmaStudio](#) and is based on the dynamic address generator mode of the project.

Parameter RAM Address 0x0001 to Address 0x0005 are the five data slots for storing the data for safe loading. The safeload parameter space contains five data slots by default because most standard signal processing algorithms have five parameters or less.

Address 0x0006 is the safeload target address in the RAM (with an offset of -1) parameter, which designates the first address to be written. If more than one word is written, the address increments automatically for each data-word. Up to five sequential parameter RAM locations can be updated with safeload during each audio frame. The target address offset of -1 is used

because the write address is calculated relative to the address of the data, which starts at Address 0x0001. Therefore, to update a parameter at Address 0x000A, the target address is 0x0009.

Address 0x0007 designates the number of words to be written to the RAM parameter during the safeload. A biquad filter uses all five safeload data addresses. A simple mono gain cell uses only one safeload data address. Writing to Address 0x0007 also triggers the safeload write to occur in the next audio frame.

The safeload mechanism is software based and executes once per audio frame. Therefore, take care when designing the communication protocol. A delay equal to or greater than the sampling period (the inverse of sampling frequency) is required between each safeload write. A sample rate of 48 kHz equates to a delay of at least 21 μ s. If this delay is not observed, the downloaded data is corrupted.

FastDSP SAFELOAD

There are five memory locations mapped to the data memory of the SigmaDSP that can be used to update the current bank parameters of a single instruction of the FastDSP.

The functionality of this is the same as the functionality of the FastDSP safeload via the control port (refer to the FastDSP Parameter Safeload section). The difference is that the parameters can be addressed on a 32-bit word basis, making the writes more efficient than reusing the control port fast load mechanism that is byte addressable. The parameters are also written to the FastDSP as soon as the frame executes, without needing to write a trigger bit. Table 19 lists the SigmaDSP assembler names for the functions used for safeload.

Table 19. SigmaDSP Safeload to the FastDSP Current Bank

Name	Function
FDSP_SL_ADDR	FastDSP safeload instruction number
FDSP_SL_P0	FastDSP Safeload Parameter B0
FDSP_SL_P1	FastDSP Safeload Parameter B1
FDSP_SL_P2	FastDSP Safeload Parameter B2
FDSP_SL_P3	FastDSP Safeload Parameter A1
FDSP_SL_P4	FastDSP Safeload Parameter A2

PROGRAM RAM, PARAMETER RAM, AND DATA RAM

The ADAU1787 address space encompasses a set of registers and three RAMs: program, parameter, and data. Table 20 shows the RAM map. The memory map from the perspective of the SigmaDSP is different than the mapping of the memories to the external control interface because internally within the SigmaDSP each word has its own address, while over the control interface, each byte has its own address. Additionally, the mapping of the memories to the external control interface is offset.

The program RAM and parameter RAM are not initialized on power-up and are in an unknown state until the RAMs are written to.

PROGRAM RAM

The program RAM contains the 39-bit operation codes that are executed by the core. The [SigmaStudio](#) compiler calculates the instructions executed per frame for a given program and generates an error when this number exceeds the maximum allowable instructions per frame based on the sample rate of the signals in the core.

Because the end of a program contains a jump to start command, the unused program RAM space does not need to be filled with no operation (NOP) commands.

PARAMETER RAM

The parameter RAM is 28-bits wide and occupies Address 0 (0x0000) to Address 1023 (0x3FFF). The data format of the parameter RAM is twos complement, 5.23, which means that the coefficients can range from +16.0 (minus 1 LSB) to -16.0, with 1.0 represented by the binary word 0000 1000 0000 0000 0000 0000 0000 or by the hexadecimal word 0x00 0x80 0x00 0x00.

The parameter RAM can be written to directly or with a safeload write. The direct write mode of operation is typically used during a completely new loading of the RAM using burst mode addressing to avoid any clicks or pops in the outputs. Although this mode can be used during program execution, there is no handshaking between the core and the control port, and the parameter RAM is unavailable to the DSP core during control writes, resulting in pops and clicks in the audio stream.

[SigmaStudio](#) automatically assigns the first eight positions to safeload parameters. Therefore, project specific parameters start at Address 0x0008.

The SDSP_RUN bit (Bit 0, Register 0xC081) must be set to 0 before writing to the parameter RAM.

DATA RAM

The ADAU1787 data RAM stores audio data-words for processing, as well as certain run-time parameters. [SigmaStudio](#) provides the data and address information for writing to and reading from the data RAM. The ADAU1787 has 2048 words of data RAM available.

The [SigmaStudio](#) compiler manages the data RAM and indicates whether the number of addresses needed in the design exceeds the maximum number available.

Table 20. RAM SigmaDSP Internal Map and Read/Write Modes

Memory	Size (Words)	Address Range	Read	Write	Write Modes
Parameter RAM	2048 × 28	0 to 2047 (0x0000 to 0x03FF)	Yes	Yes	Direct, safeload
Program RAM	2048 × 39	3072 to 4095 (0x0C00 to 0x13FF)	Yes	Yes	Direct

POWER SAVING OPTIONS

The ADAU1787 offers multiple options to save the power in some of the blocks.

ADC Bias Current Control

The ADCs provide a mechanism to modify the bias current level used, allowing performance vs. power consumption options for the user. Four possible settings can be set independently for Channel 0, Channel 1, Channel 2, and Channel 3 via the ADCxx_IBIAS and ADCxx_IBIAS control bits. Both low power settings also produce more part to part variation in the performance parameters than normal power mode.

DAC Bias Current Control

The DACs provide a mechanism to modify the bias current level used, allowing performance vs. power consumption options for the user. Four possible settings can be set via the DAC_IBIAS control bit.

DAC Low Power Modes

The DACs offer two separate, selectable low power operating modes, allowing power vs. performance trade-offs when using the DACs. Generally, using the DAC_LPM = 1 setting provides the same of slightly better performance at slightly lower power consumption.

PLL Bypass

Bypassing the PLL saves power. If the 24.576 MHz external clock is available and >25 MIPS operation of the SigmaDSP is not needed, there is no downside to bypassing the PLL.

Table 21 PLL_BIAS Power Comparison

PLL_BYPASS	PLL Operation	Relative Power Consumption (mW)
0	Used	0
1	Bypassed	-0.55

Table 22. ADCxx_IBIAS Power and Performance Options

ADCxx_IBIAS Setting	Description	Change in Digital Noise Reduction (DNR), A-Weighted (dB)	Change in THD + N Level at 1 kHz (dB)	Change in Power Consumption per ADC Channel (mW)
010	Enhanced performance	0	0	+0.12
000	Normal operation	0	0	0
011	Power saving	-0.7	9	-0.27
001	Extreme power saving	-0.7	11.5	-0.39

Table 23. DAC_IBIAS Power and Performance Options in Headphone Mode

DAC_IBIAS Setting	Description	Change in DNR, A-Weighted (dB)	Change in THD + N Level at 1 kHz (dB)	Change in Power Consumption per DAC Channel (mW)
010	Enhanced performance	0	-1	+0.22
000	Normal operation	0	0	0
011	Power saving	-0.5	+4	-0.51
001	Extreme power saving	-1.0	+7	-0.73

Table 24. DAC Low Power and Performance Options in Line Output Mode

Mode	Relative THD + N at 1 kHz, -6 dB	DNR A-Weighted (dB)	Relative Power per Channel (mW)
Default	0 dB	105.5	0
DAC_LPM = 1	0 dB	105.5	-0.041
DAC_LPM_II = 1	8 dB	105.8	-0.058

SigmaDSP Clock Speed Control

By default, SDSP_SPEED is set to 0 and the SigmaDSP receives a 24.576 MHz clock. If the PLL is used and SDSP_SPEED is set to 1, the SigmaDSP receives a 49.152 MHz clock and is able to run twice as many instructions. If this extra processing power is not needed, keeping SDSP_SPEED = 0 saves power.

Table 25. SDSP_SPEED Power Comparison

SDSP_SPEED	SigmaDSP Clock Rate (MHz)	Relative Power Consumption (mW)
1	49.152	0
0	24.576	-0.076

Asynchronous Sample Rate Converters Low Power Modes

The ASRCs offer two separate, selectable low power operating modes. These modes allow power vs. performance trade-offs when using the ASRCs. Generally, if the data being sourced or sinked to the ASRCs is from or to the ADC or DAC using the ASRCx_LPM_II setting provides the lowest power consumption and does not degrade the performance of the converters.

Table 26. Input ASRC Power and Performance Options for 44.1 kHz to 48 kHz Conversion

Mode	THD + N at 1 kHz (dB)	THD + N at 20 kHz	DNR AW (dB)	Relative Power per Channel (mW)
Default	123	123	130	0
ASRCI_LPM = 1	120	118	130	-0.041
ASRCI_LPM_II = 1	112	108	130	-0.058

Table 27. Output ASRC Power and Performance Options for 48 kHz to 44.1 kHz Conversion

Mode	THD + N at 1 kHz (dB)	THD + N at 20 kHz	DNR AW (dB)	Relative Power per Channel (mW)
Default	123	123	130	0
ASRCO_LPM = 1	120	118	130	-0.045
ASRCO_LPM_II = 1	112	108	130	-0.070

CONTROL PORT

The ADAU1787 has a 4-wire SPI control port and a 2-wire I²C bus control port. Each port can set the memories and registers. The IC defaults to I²C mode but can be put into SPI control mode by pulling the \overline{SS} pin low three times. When in I²C mode, the unused control pins determine the I²C device address. The IC can be put into I²C and/or SPI mode by tying the SW_EN pin to DGND.

The control port is capable of full read/write operation for all addressable memories and registers. Most signal processing parameters are controlled by writing new values to the parameter memories using the control port. Other functions, such as mute and input/output mode control, are programmed through the registers.

All addresses can be accessed in either single address mode or burst mode. The first byte (Byte 0) of a control port write contains the 7-bit IC address plus the R/W bit. The next two bytes (Byte 1 and Byte 2) are the 16-bit subaddress of the memory or register location within the ADAU1787. All subsequent bytes (starting with Byte 3) contain the data, such as the register, program, or parameter data. The exact formats for specific types of writes are shown in Figure 61 and Figure 62.

If large blocks of data must be downloaded to the ADAU1787 DSP cores, the output of the cores can be disabled, new data can be loaded, and the core can then be restarted. This restart is typically done during the booting sequence at start-up or when loading a new program into memory.

Table 29. Control Pins Function Setup List

Mode	IOVDD (V)	I ² C Address	BCLK0 Pin	SDATAO_0 Pin	ADDR1/ MOSI Pin	ADDR0/ SS Pin	SCL/ SCLK Pin	SDA/ MISO Pin	SW_EN Pin
I ² C	1.2 to 1.8	0x28	BCLK0	SDATAO_0	0	0	SCL	SDA	0
I ² C	1.2 to 1.8	0x29	BCLK0	SDATAO_0	0	1	SCL	SDA	0
I ² C	1.2 to 1.8	0x2A	BCLK0	SDATAO_0	1	0	SCL	SDA	0
I ² C	1.2 to 1.8	0x2B	BCLK0	SDATAO_0	1	1	SCL	SDA	0
SPI	1.2 to 1.8	Not applicable	BCLK0	SDATAO_0	MOSI	SS	SCLK	MISO	0

Table 30. I²C/SPI Control Data Word Sizes and Address Ranges

Base Address	End Address	Description	Width per Address	Write Modes	Writes Needed for Update
0x0000	0x0F00	Reserved	Not applicable	Not applicable	Not applicable
0x2000	0x3FFF	SigmaDSP parameter RAM	8	Direct, safeload	4
0x5000	0x77FF	SigmaDSP program RAM	8	Direct	5
0x7800	0x97FF	SigmaDSP data RAM	8	Direct	4
0xC000	0xC0E1	Control registers	8	Direct	1
0xD000	0xD0FF	FastDSP program	8	Direct	4
0xD100	0xDFFF	FastDSP parameter	8	Direct safeload	4
0xE000	0xE3FF	FastDSP state	8	Direct	4

Registers and bits shown as reserved in the register map read back 0s.

The control port pins are multifunctional, depending on the mode in which the device is operating. Table 28 describes these multiple functions.

Table 28. Control Port Pin Functions

Pin	I ² C Mode	SPI Mode
SCL/SCLK	SCL—input	SCLK—input
SDA/MISO	SDA—open-collector output	MISO—output
ADDR1/MOSI	I ² C Address Bit 1—input	MOSI—input
ADDR0/ \overline{SS}	I ² C Address Bit 0—input	\overline{SS} —input

BURST MODE COMMUNICATION

Burst mode addressing, in which the subaddresses are automatically incremented at word boundaries, can be used for writing large amounts of data to contiguous memory locations. This increment happens automatically after a single-word write unless the control port communication is stopped (that is, a stop condition is issued for I²C, or \overline{SS} is brought high for SPI). The registers and RAMs in the ADAU1787 range in width from one byte to five bytes, so the auto-increment feature knows the mapping between subaddresses and the word length of the destination register (or memory location).

READING AND WRITING TO MEMORIES

All SigmaDSP and FastDSP memory locations are larger than a single byte. While each byte occupies a single address when communicating over a control interface (I²C or SPI), when writing to these memories, an entire memory word must be written starting with the lowest address and continuing sequentially to the highest address for a write to actually occur. Similarly, a read must begin at the lowest memory address. However, for reads, all locations must not be read. The mapping of bytes over the control interface is the most significant byte, or a memory location is written or read first, and the least significant byte is written or read last. The memories can be read or written in burst mode or single byte mode so that the proceeding requirements are met.

Table 31. Example Write to SigmaDSP Program RAM Word 0

Address	Data
0x5000	Data, Bits[39:32]
0x5001	Data, Bits[31:24]
0x5002	Data, Bits[23:16]
0x5003	Data, Bits[15:8]
0x5004	Data, Bits[7:0], the memory is written to after this write

I²C PORT

The ADAU1787 supports a 2-wire serial (I²C-compatible) microprocessor bus driving multiple peripherals. I²C uses two pins, serial data (SDA) and serial clock (SCL), to carry data between the ADAU1787 and the system I²C master controller. In I²C mode, the ADAU1787 is always a slave on the bus, except when the IC is self booting. See the Self Boot section for details about using the ADAU1787 in self boot mode.

The device supports fast mode plus I²C operation, but for most bus capacitances, the SDA_MISO_DRIVE bit must be set to 1 to support these operating speeds.

Each slave device is recognized by a unique 7-bit device address. The ADAU1787 I²C address format is shown in Table 32. The LSB of this first byte sent from the I²C master sets either a read or write operation. Logic Level 1 corresponds to a read operation, and Logic Level 0 corresponds to a write operation.

Pin ADDR0 and Pin ADDR1 set the LSBs of the I²C address (see Table 33). Therefore, each ADAU1787 can be set to one of four unique addresses, allowing multiple ICs to exist on the same I²C bus without address contention. The 7-bit I²C addresses are shown in Table 33.

An I²C data transfer is always terminated by a stop condition.

Both SDA and SCL must have 2.0 kΩ pull-up resistors on the lines connected to these pins. The voltage on these signal lines cannot be higher than IOVDD.

Table 32. I²C Address Format

Bit 6	Bit 5	Bit 4	Bit 3	Bit 2	Bit 1	Bit 0
0	1	0	1	0	ADDR1	ADDR0

Table 33. I²C Addresses

ADDR1 (MOSI)	ADDR0 (SS)	Slave Address
0	0	0x28
0	1	0x29
1	0	0x2A
1	1	0x2B

Addressing

Initially, each device on the I²C bus is in an idle state and monitoring the SDA and SCL lines for a start condition and the proper address. The I²C master initiates a data transfer by establishing a start condition, defined by a high to low transition on SDA while SCL remains high, indicating that an address/data stream follows. All devices on the bus respond to the start condition and shift the next eight bits (the 7-bit address plus the R/W bit) MSB first. The device that recognizes the transmitted address responds by pulling the data line low during the ninth clock pulse. This ninth bit is known as an acknowledge bit. All other devices withdraw from the bus at this point and return to the idle condition. The R/W bit determines the direction of the data. A Logic 0 on the LSB of the first byte indicates that the master writes information to the peripheral, whereas a Logic 1 indicates that the master reads information from the peripheral after writing the subaddress and repeating the start address. A data transfer takes place until a stop condition is encountered. A stop condition occurs when SDA transitions from low to high while SCL is held high. Figure 59 shows the timing of an I²C write, and Figure 60 shows an I²C read.

Stop and start conditions can be detected at any stage during the data transfer. If these conditions are asserted out of sequence with normal read and write operations, the ADAU1787 immediately jumps to the idle condition. During a given SCL high period, the user can only issue one start condition, one stop condition, or a single stop condition followed by a single start condition. A no-acknowledge condition is where the SDA line is not pulled low on the ninth clock pulse on SCL. If an invalid subaddress is issued by the user, the ADAU1787 issues an acknowledge, but no data write occurs, and a read returns zeros. If the highest subaddress location is reached while in write mode, the data for the invalid byte is not loaded to any subaddress register.

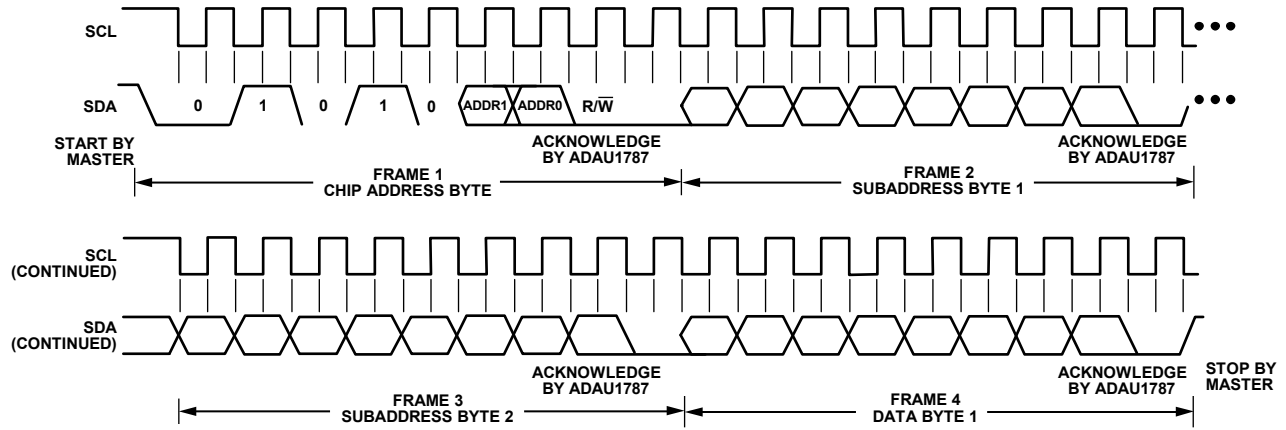


Figure 59. I²C Write to ADAU1787 Clcking

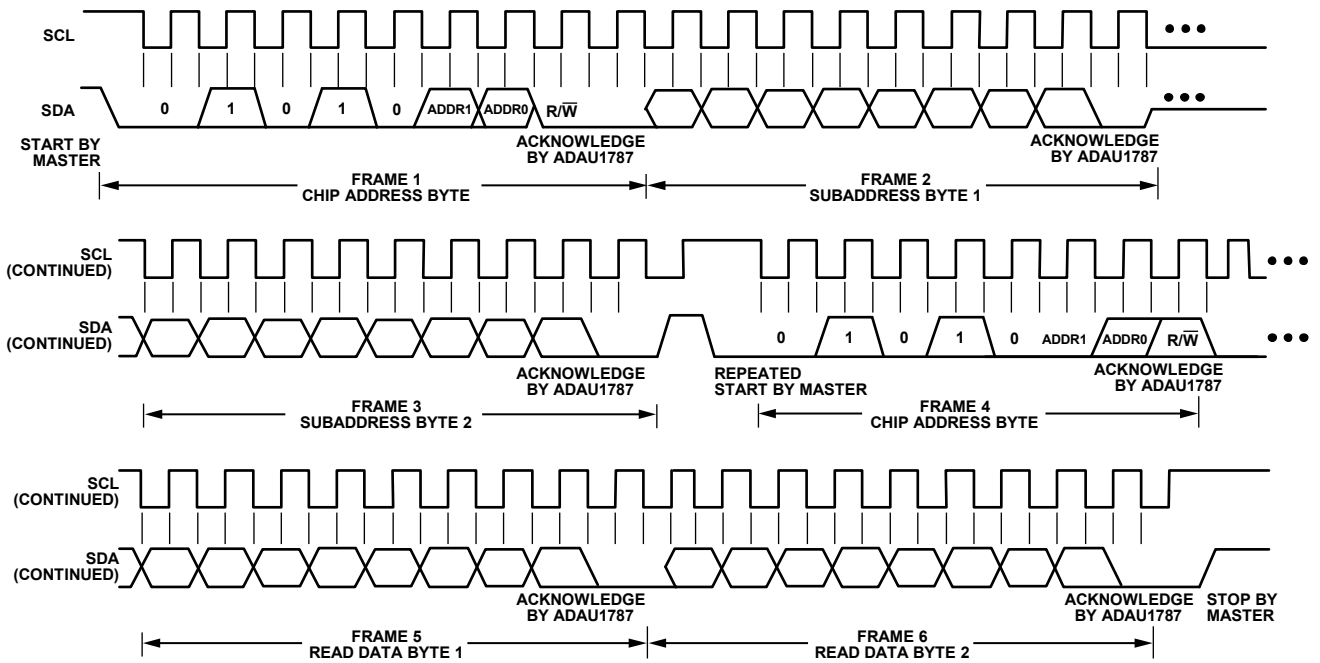


Figure 60. I²C Read from ADAU1787 Clcking

I²C Read and Write Operations

Figure 61 shows the timing of a single-word write operation. Every ninth clock pulse, the ADAU1787 issues an acknowledge by pulling SDA low.

Figure 62 shows the timing of a burst mode write sequence. Figure 62 shows an example where the target destination words are two bytes, such as the program memory. The ADAU1787 knows to increment its subaddress register every two bytes because the requested subaddress corresponds to a register or memory area with a 2-byte word length.

The timing of a single-word read operation is shown in Figure 63. Note that the first R/W bit is 0, indicating a write operation because the subaddress still must be written to set up the internal address. After the ADAU1787 acknowledges the receipt of the subaddress, the master must issue a repeated start command, followed by the chip address byte with the R/W set to 1 (read), causing the ADAU1787 SDA to reverse and begin driving data

back to the master. The master then responds every ninth pulse with an acknowledge pulse to the ADAU1787.

Figure 64 shows the timing of a burst mode read sequence. Figure 64 shows an example where the target read words are two bytes. The ADAU1787 increments its subaddress every two bytes because the requested subaddress corresponds to a register or memory area with word lengths of two bytes. Other address ranges may have a variety of word lengths, ranging from one byte to four bytes. The ADAU1787 always decodes the subaddress and sets the auto-increment circuit so that the address increments after the appropriate number of bytes.

Figure 61 to Figure 64 use the following abbreviations:

- S is the start bit.
- P is the stop bit.
- AM is acknowledge by master.
- AS is acknowledge by slave.

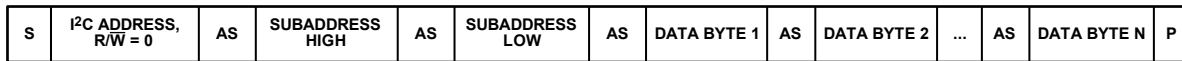


Figure 61. Single-Word I²C Write Format

20127-066

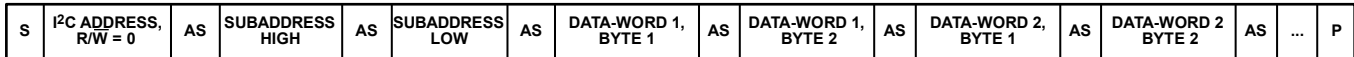


Figure 62. Burst Mode I²C Write Format

20127-067

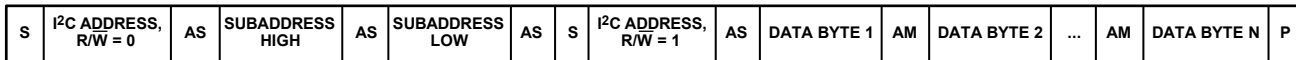


Figure 63. Single-Word I²C Read Format

20127-068

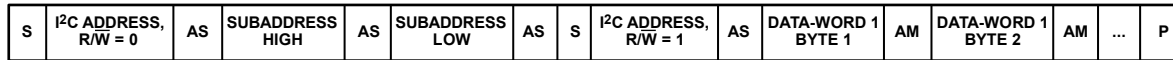


Figure 64. Burst Mode I²C Read Format

20127-069

SPI PORT

By default, the ADAU1787 is in I²C mode, but the device can be put in SPI control mode by pulling \overline{SS} low three times by issuing three SPI writes, which are in turn ignored by the ADAU1787. The next (fourth) SPI write is then latched in the SPI port.

The SPI port uses a 4-wire interface, consisting of \overline{SS} , SCLK, MOSI, and MISO signals, and is always a slave port. The \overline{SS} signal must go low at the beginning of a transaction and high at the end of a transaction. The SCLK signal latches MOSI on a low to high transition. MISO data is shifted out of the ADAU1787 on the falling edge of SCLK and must be clocked to a receiving device, such as a microcontroller, on the SCLK rising edge. The MOSI signal carries the serial input data, and the MISO signal is the serial output data. The MISO signal remains tristated until a read operation is requested, allowing other SPI-compatible peripherals to share the same readback line.

All SPI transactions have the same basic format shown in Table 34. The timing diagrams for SPI write and SPI read are shown in Figure 65 and Figure 66, respectively. All data must be written MSB first. The ADAU1787 can only be taken out of SPI mode by pulling the \overline{PD} pin low or by powering down the IC.

R/W

The first byte of an SPI transaction indicates whether the communication is a read or a write with the R/W bit. The LSB of this first byte determines whether the SPI transaction is a read (Logic Level 1) or a write (Logic Level 0).

Subaddress

The 16-bit subaddress word is decoded into a location in one of the memories or registers. This subaddress is the location of the appropriate memory location or register.

It is necessary to add an unused byte of zeros after the subaddress to effectively make the subaddress 24 bits with the actual address placed in the 16 MSBs.

Data Bytes

The number of data bytes varies according to the register or memory being accessed. During a burst mode write, an initial subaddress is written followed by a continuous sequence of data for consecutive memory and/or register locations.

A sample timing diagram for a single-write SPI operation to the parameter RAM is shown in Figure 65. A sample timing diagram of a single-read SPI operation is shown in Figure 66. The MISO pin goes from tristate to being driven at the beginning of Byte 3. In this example, Byte 0 to Byte 2 contain the addresses and the R/W bit and subsequent bytes carry the data.

Table 34. Generic SPI Word Format

Byte 0	Byte 1	Byte 2	Byte 3	Byte 4	Byte 5 ¹
0000000, R/W	Register/memory address, Bits[15:8]	Register/memory address, Bits[7:0]	Zeros, Bits[7:0] (dummy)	Data	Data

¹ Continues to end of data.

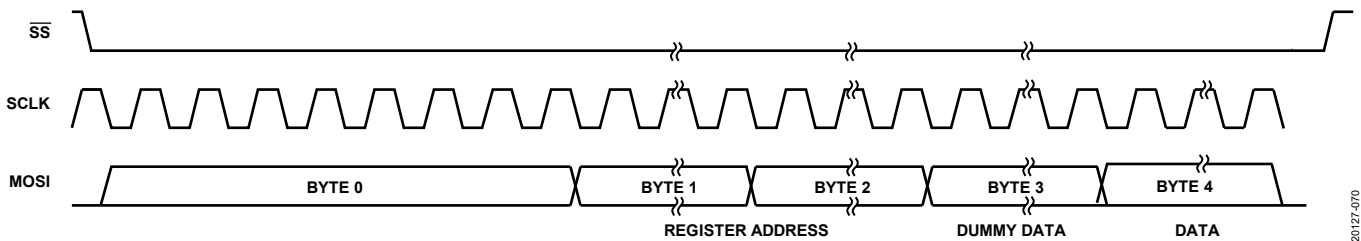


Figure 65. SPI Write to ADAU1787 Clocking (Single-Write Mode)

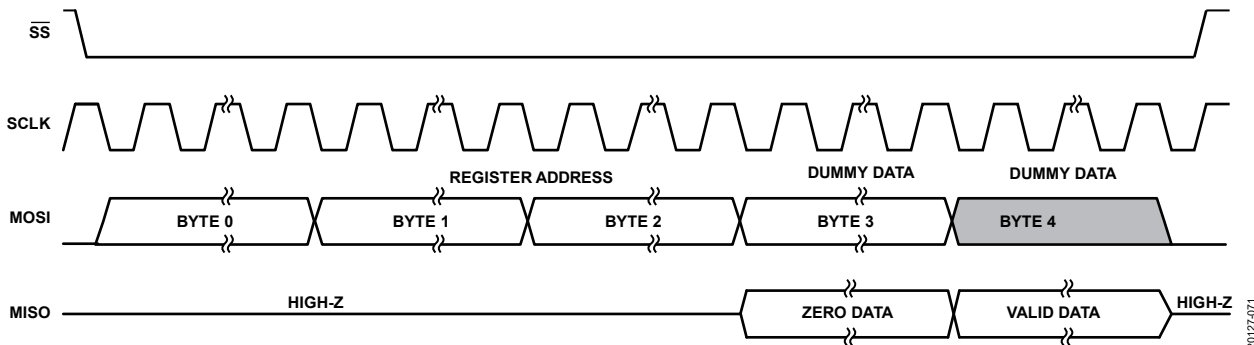


Figure 66. SPI Read from ADAU1787 Clocking (Single-Read Mode)

Table 35. EEPROM Self Boot Instructions

Instruction Byte ID	Instruction Byte Description	Following Bytes
0x00	End self boot	Cyclical redundancy check (CRC)
0x01	Write multibyte length minus two bytes, starting at target address	Length (high byte), length (low byte), address (high byte), address (low byte), data (0), data (1), ... , data (length - 3)
0x02	Delays by the 16-bit setting × 2048 clock cycles	Delay (high byte), delay (low byte)
0x03	No operation	None
0x04	Wait for PLL lock	None
0x05	Write single byte to target address	Address (high byte), address (low byte), data

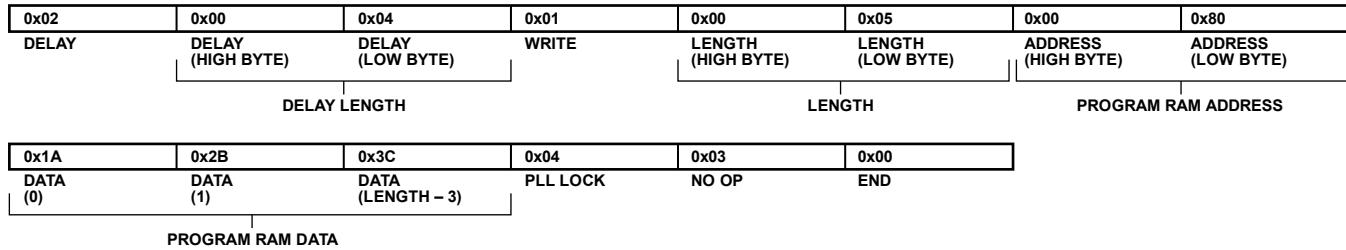


Figure 67. Example of Self Boot EEPROM Instructions

SELF BOOT

The ADAU1787 boots up from an EEPROM over the I²C bus when the SELFBOOT pin is set high at power-up and the PD pin is set high. The state of the SELFBOOT pin is checked internally only when the ADAU1787 comes out of a reset via the PD pin going high or by applying power with PD already set high. When the device comes out of reset and there is a MCLK source present, the state of the SELFBOOT pin is registered to determine whether to self boot. At reset, the state is set not to self boot. Therefore, if a master clock at the MCLKIN pin is not present, the self boot does not occur. The EEPROM is not used after a self boot completes. During booting, ensure that there is a stable DVDD in the system. The PD pin must remain high during self boot operation. If the SELFBOOT pin is not used for a multipurpose pin function, tie the pin to either IOVDD or DGND.

The master SCL clock output from the ADAU1787 is derived from the input clock on XTALI/MCLKIN. A divide by 64 circuit ensures that the SCL output frequency during self boot operation is never greater than 400 kHz for most input clock frequencies. With the external master clock to the ADAU1787 being between 11.264 MHz and 27 MHz, the SCL frequency ranges from 176 kHz to 422 kHz. If the self-boot EEPROM is not rated for operation above 400 kHz, use a master clock that is no faster than 25.6 MHz.

Table 35 details the list of instructions that are possible during an ADAU1787 self boot. The 0x01 and 0x05 instruction bytes are used to load the register, program, and parameter settings.

EEPROM Size

The self-boot circuit is compatible with an EEPROM that has a 2-byte address. For most EEPROM families, a 2-byte address is used on devices that are 32 kB or larger. The EEPROM must be

set to Address 0x50. Examples of two compatible EEPROMs include Atmel AT24C256C and STMicroelectronics M24256.

Table 36 lists the maximum necessary EEPROM size, assuming that there is 100% utilization. There is inherently some overhead for instructions to control the self boot procedure.

CRC

An 8-bit CRC validates the content of the EEPROM. This CRC is strong enough to detect single error bursts of up to eight bits in size.

The terminate self boot instruction (0x00 instruction byte) must be followed by a CRC byte. The CRC is generated using all of the EEPROM bytes from Address 0x0000 to the last 0x00 instruction byte. The polynomial for the CRC is $x^8 + x^2 + x + 1$.

If the CRC is incorrect or if an unrecognized instruction byte is read during self boot, the boot process is immediately stopped and restarted after a 250 ms delay (for a 12.288 MHz input clock). When SigmaStudio is used, the CRC byte is generated automatically when a configuration is downloaded to the EEPROM.

Delay

The delay instruction (0x02 instruction byte) delays by the 16-bit setting × 2048 clock cycles.

Boot Time

The time to self boot the ADAU1787 from an EEPROM can be calculated by the following equation:

$$Self\ Boot\ Time = 64/MCLK\ Frequency \times Total\ Bytes + Wait\ Time$$

The self boot operation starts after 16,568 clock cycles are seen on the XTALI/MCLKIN pin after PD is set high. With a 12.288 MHz clock, this wait time corresponds to approximately a 1.35 ms wait time from power-up. This delay ensures that the crystal used for generating the master clock has ramped up to a stable oscillation.

Table 36. Maximum EEPROM Size

ADAU1787 Memory Blocks	Word Size (Bytes per Word)	Words	Total EEPROM Space Requirement (Bytes)
Program	4	64	256
FastDSP Bank A Parameters	4	320 (64 × 5)	1280
FastDSP Bank B Parameters	4	320	1280
FastDSP Bank C Parameters	4	320	1280
Registers	1	512	512
SigmaDSP Program	5	2048	10240
SigmaDSP Parameter	4	2048	8192
Total Bytes	Not applicable	Not applicable	23040

MULTIPURPOSE PINS

The ADAU1787 has thirteen multipurpose (MPx) pins that can be used for serial data I/O, digital microphone inputs, clock outputs, PDM outputs, and interrupts. Each pin can be individually set to either its default or MPx setting. The function of each of these pins is set in using the MPx_MODE bits. By default, each pin is configured as its normal function.

Care must be taken when using SELFBOT/MP11 and SW_EN/MP12 as multipurpose pins. The states of these pins at power-up (later of either PD pin going high or power being applied with PD pin already high) determine whether the device self boots, which must still be followed even if the pins are used for another multipurpose function later.

When an MPx pin is set as a general-purpose input, the MPx pin can be read via all control interfaces via the GPIOx_IN bits, the pin can also be read and acted upon by the SigmaDSP core, and the pin can be used to conditionally execute instructions or trigger the compressor in the FastDSP. When an MPx pin is set as general-purpose output, the state of the pin can be set via all control interfaces using the GPIOx_OUT bits or by the SigmaDSP core. The GPIO maps to the corresponding MPx pin, for example, GPIO1 maps to MP1/BCLK_0.

Any MPx pin can be used as the digital microphone input for Digital Microphone Channel 4/ Digital Microphone Channel 5 or Digital Microphone Channel 6/ Digital Microphone Channel 7. If multiple pins are assigned to this function, the lowest number MPx pin is used, and the other pins have no function.

Any MPx pin can be used as a master clock output. The rate of the master clock output is determined by the MCLKO_RATE bits. Multiple pins can be used as this function if desired.

Any MPx pin can be used to output the PDM clock or data signal for the PDM output interface.

Any MPx pin can be used to output the interrupt status from the two interrupt sources.

Table 37. Multipurpose Pin Functions

MPx Pin Function ¹	Direction
Digital Microphone Channel 4 to Channel 5 Input (DMIC45)	In
Digital Microphone Channel 6 to Channel 7 Input (DMIC67)	In
General-Purpose Input (GPI)	In
General-Purpose Output from GPIOx_OUT Bits (GPO_REG)	Out
General-Purpose Output from SigmaDSP (GPO_SDSP)	Out
MCLK Output (MCLKO)	Out
IRQ1 Output (IRQ1)	Out
IRQ2 Output (IRQ2)	Out

¹ These functions are enumeration options in Register 0xC088 through Register 0xC090 that any of the MPx pins can be set to.

Interrupts

Each multipurpose pin can be used to output one of two interrupts that have various sources when selected for this function. The sources for the interrupts are for DAC and ADC channels clipping, PLL locking or unlocking, input and output ASRCs locking or unlocking, the generic SigmaDSP interrupts, and the AVDD undervoltage warning. Each interrupt source can be individually masked with their respective IRQx_MASKx registers. Each interrupt output can be set to active low or active high output on the pin selected for the interrupt output via the IRQx_FUNC bits.

The status of each interrupt source can be read via the IRQ status registers (IRQx_STATUSx). When an interrupt source is masked, if that interrupt becomes true, the interrupt is shown in the interrupt status registers but does not cause the MPx pin (if set as IRQx) to show an interrupt. All sources of each interrupt are cleared via a write of 1 to the IRQx_CLEAR bits. The interrupt status bits are sticky, such that if an interrupt source becomes true, the status reads 1 until a clear occurs, even if that interrupt source is no longer true.

The SigmaDSP interrupts are initiated by the SigmaDSP writing to the SDSP_INTx bits.

Pin Controls

Each pin that can be used as a multipurpose pin has several control selections to set various setting. When the pin is used as an output, the drive strength can be selected at 2 mA, 4 mA, 8 mA, or 12 mA. In addition, a weak pull-up or pull-down can be selected. These settings are in their respective pin control register. These pin control settings affect the pins operation in both normal functional mode and when used in all multipurpose pin modes.

SERIAL DATA PORTS

The serial data input and output ports of the ADAU1787 can be set to accept or transmit data in a 2-channel format such as I²S or up to 16 channels in a time division multiplexing (TDM) stream to interface to external ADCs, DACs, DSPs, and system on chips (SOCs). Data is processed in twos complement, MSB first format. The left channel data field always precedes the right channel data field in 2-channel streams.

The serial data clocks do not need to be synchronous with the ADAU1787 master clock input, but the frame clock and bit clock must be synchronous to each other. The FSYNC_x and BCLK_x pins are used to clock both the serial input and output ports. The pins can also be used as a source to the PLL to provide the main chip clock. Each serial port can be set to be either the master or the slave in a system. Because there is only one set of serial data clocks, the input and output of a single port must always both be either master or slave.

The SPT_x_SAI_MODE bits set whether the serial port is operating in stereo mode or TDM mode. In stereo modes, both edges of frame clock determine where data is placed, and the left channel maps to the output for Channel 0, while the right channel maps to the output for Channel 1. In TDM mode only, the rising edge of frame clock determine where data is placed. In TDM mode, each channel of data receives a slot that can be either 16, 24, or 32 BCLKs wide. The width of each slot is determined by the SPT_x_SLOT_WIDTH bits.

The serial data control registers allow control of the clock polarity and the data input modes. The valid data formats are I²S (delay by 1), left justified (delay by 0), or right justified (delay by 8, 12, or 16 BCLKs). The delay indicates the number of bit clocks BCLKs from the rising/falling edge of frame clock FSYNC_x where the MSB of the data is placed in stereo modes, and the number of bit clocks BCLKs from the rising of frame clock in TDM mode. In all modes except for the right justified mode, the serial port inputs an arbitrary number of bits up to a limit of 24. Extra bits do not cause an error, but the bits are ignored. The serial port can operate with an arbitrary number of bit clock BCLK_x transitions in each frame clock frame.

When using a high bit clock rate (12.288 MHz or higher), it is recommended to increase the drive strength settings for the output signal pins. The high drive strength effectively speeds up the transition times of the waveforms, thereby improving the signal integrity of the clock and data lines. The drive strength can be set in the pad drive strength registers (Register 0xC094 through Register 0xC0A0).

Table 38 describes the proper serial port settings for standard audio data formats. More information about the settings in Table 38 can be found in the SPT_x_CTRL_x register descriptions.

The polarity of both frame clock and bit clock can be inverted via the SPT_x_LRCLK_POL and SPT_x_BCLK_POL bits. These bits do not need to be used to support the typical formats shown in Table 38. Setting either SPT_x_LRCLK_POL or SPT_x_BCLK_POL to 1 places an inverter at the input to the serial port on its respective signal. For example, while serial data and frame clock are normally sampled on the rising edge of bit clock, setting SPT_x_BCLK_POL = 1 samples on the falling edge of bit clock.

Each serial port can be set to be a master, in which case BCLK_x and FSYNC_x are driven as outputs. The output rate and direction of these two signals are set via the SPT_x_LRCLK_SRC and SPT_x_BCLK_SRC bits. A bit clock rate higher than 24.576 MHz cannot be generated. Therefore, the settings of these registers that request this rate result in no bit clock.

Unused bit slots can be tristated so that multiple ICs can drive a single serial data bus, which is controlled via the SPT_x_TRI_STATE bit. For example, in a 32-bit TDM frame with 24-bit data, the eight unused bits are tristated. Inactive channels are also tristated for one full frame each. Serial output channels are disabled when the SPT_x_OUT_ROUTE_y bits are set to 0x3E. Note that the timing for serial data output changes based on the minimum IOVDD voltage. While the serial ports can work for inputting a signal on SDATAI_x for any IOVDD and bit clock rate within the specification, the delay on SDATAO_x at 1.1 V excludes operating at higher bit clock rates.

Table 38. Serial Port Data Format Settings

Format	Frame Clock Mode, Bit (SPT _x _SAI_MODE)	Sets the Slot Width per Channel, Bit (SPT _x _SLOT_WIDTH) ¹	Sets the MSB Position from Start of Frame Clock, Bit (SPT _x _DATA_FORMAT)
I ² S (See Figure 68)	0 (50 % duty cycle)	XX	000 (One bit clock delay)
Left Justified (See Figure 68)	0	XX	001 (No delay)
Right Justified (See Figure 68)	0	XX	010 (delay by 8 bit clocks)
	0	XX	011 (delay by 12 bit clocks)
	0	XX	100 (delay by 16 bit clocks)
TDM (See Figure 69)	1 (single bit clock wide pulse)	XX	000

¹ X = don't care.

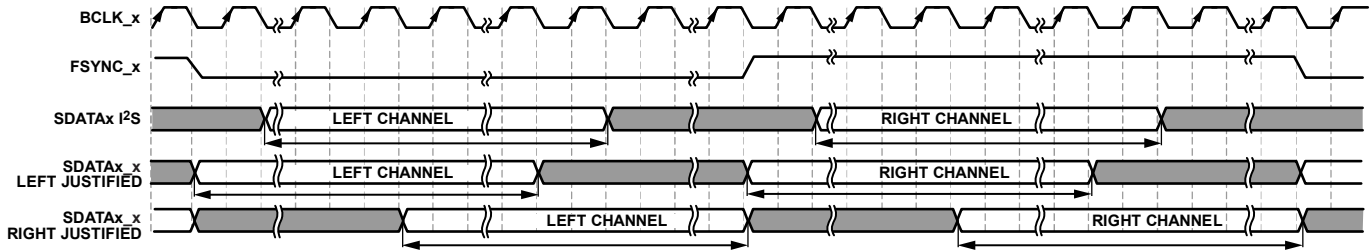


Figure 68. Stereo Modes: I2S, Left Justified, and Right Justified Modes, 16 Bits to 24 Bits per Channel, Any Number of BCLKs Are Allowed

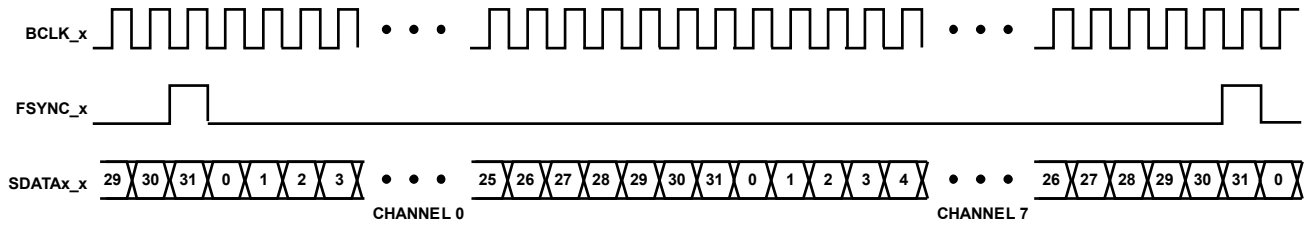


Figure 69. 8-Channel TDM Mode, Default Settings, Except SPTx_SAI_MODE = 1

APPLICATIONS INFORMATION

POWER SUPPLY BYPASS CAPACITORS

Bypass each analog and digital power supply pin to its nearest appropriate ground pin with a single 0.1 μF capacitor. The connections to each side of the capacitor must be as short as possible, and the trace must be routed on a single layer with no vias. For maximum effectiveness, locate the capacitor equidistant from the power and ground pins or slightly closer to the power pin if equidistant placement is not possible. Thermal connections to the ground planes must be made on the far side of the capacitor.

Each supply signal on the board must also be bypassed with a single bulk capacitor (10 μF to 47 μF).

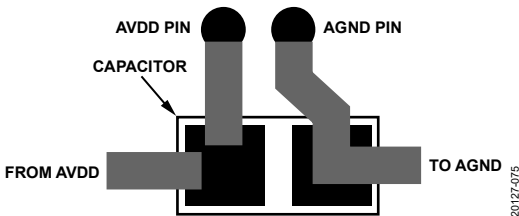


Figure 70. Recommended Power Supply Bypass Capacitor Layout

LAYOUT

The HPVDD supply is for the headphone amplifiers. If the headphone amplifiers are enabled, the PCB trace to this pin must be wider than the traces to other pins to increase the current carrying capacity. A wider trace must also be used for the headphone output lines.

GROUNDING

Use a single ground plane in the application layout. Place the components in the analog signal path away from the digital signals.

PCB STACKUP

Figure 71 shows the PCB stackup.

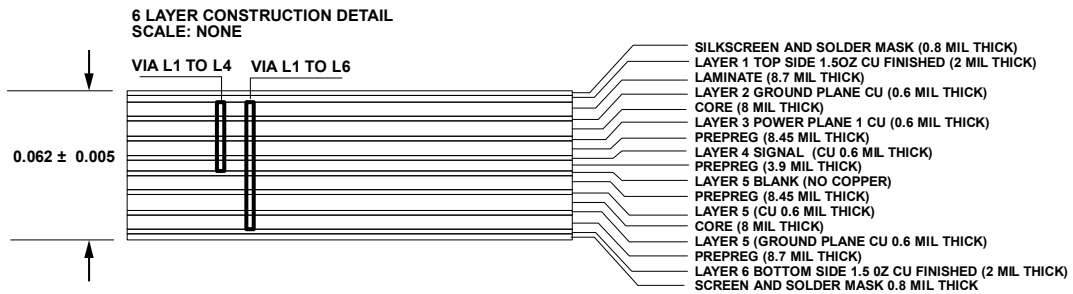


Figure 71. PCB Stackup

REGISTER SUMMARY

Table 39.

Reg (Hex)	Name	Bits	Bit 7	Bit 6	Bit 5	Bit 4	Bit 3	Bit 2	Bit 1	Bit 0	Reset	R/W		
C000	VENDOR_ID	[7:0]	VENDOR									0x41	R	
C001	DEVICE_ID1	[7:0]	DEVICE1									0x17	R	
C002	DEVICE_ID2	[7:0]	DEVICE2									0x87	R	
C003	REVISION	[7:0]	REV									0x01	R	
C004	ADC_DAC_HP_PWR	[7:0]	RESERVED		PB1_EN	PB0_EN	ADC3_EN	ADC2_EN	ADC1_EN	ADC0_EN	0x00	R/W		
C005	PLL_MB_PGA_PWR	[7:0]	PGA3_EN	PGA2_EN	PGA1_EN	PGA0_EN	MBIAS1_EN	MBIAS0_EN	XTAL_EN	PLL_EN	0x02	R/W		
C006	DMIC_PWR	[7:0]	DMIC7_EN	DMIC6_EN	DMIC5_EN	DMIC4_EN	DMIC3_EN	DMIC2_EN	DMIC1_EN	DMIC0_EN	0x00	R/W		
C007	SAI_CLK_PWR	[7:0]	PDM1_EN	PDM0_EN	DMIC_CLK1_EN	DMIC_CLK0_EN	SPT1_OUT_EN	SPT1_IN_EN	SPT0_OUT_EN	SPT0_IN_EN	0x00	R/W		
C008	DSP_PWR	[7:0]	RESERVED			SDSP_EN	RESERVED			FDSP_EN	0x00	R/W		
C009	ASRC_PWR	[7:0]	ASRC03_EN	ASRC02_EN	ASRC01_EN	ASRC00_EN	ASRC13_EN	ASRC12_EN	ASRC11_EN	ASRC10_EN	0x00	R/W		
C00A	FINT_PWR	[7:0]	FINT7_EN	FINT6_EN	FINT5_EN	FINT4_EN	FINT3_EN	FINT2_EN	FINT1_EN	FINT0_EN	0x00	R/W		
C00B	FDEC_PWR	[7:0]	FDEC7_EN	FDEC6_EN	FDEC5_EN	FDEC4_EN	FDEC3_EN	FDEC2_EN	FDEC1_EN	FDEC0_EN	0x00	R/W		
C00C	KEEPS	[7:0]	RESERVED			CM_KEEP_ALIVE	RESERVED		KEEP_SDSP	KEEP_FDSP	0x10	R/W		
C00D	CHIP_PWR	[7:0]	RESERVED		DLDO_CTRL		RESERVED	CM_STARTUP_OVER	MASTER_BLOCK_EN	POWER_EN	0x10	R/W		
C00E	CLK_CTRL1	[7:0]	SYNC_SOURCE		PLL_BYPASS	PLL_TYPE	XTAL_MODE	PLL_SOURCE			0xC8	R/W		
C00F	CLK_CTRL2	[7:0]	RESERVED									0x00	R/W	
C010	CLK_CTRL3	[7:0]	RESERVED			PLL_INTEGER_DIVIDER[12:8]					0x00	R/W		
C011	CLK_CTRL4	[7:0]	PLL_INTEGER_DIVIDER[7:0]									0x02	R/W	
C012	CLK_CTRL5	[7:0]	PLL_NUMERATOR[15:8]									0x00	R/W	
C013	CLK_CTRL6	[7:0]	PLL_NUMERATOR[7:0]									0x00	R/W	
C014	CLK_CTRL7	[7:0]	PLL_DENOMINATOR[15:8]									0x00	R/W	
C015	CLK_CTRL8	[7:0]	PLL_DENOMINATOR[7:0]									0x00	R/W	
C016	CLK_CTRL9	[7:0]	RESERVED									PLL_UPDATE	0x00	R/W
C017	ADC_CTRL1	[7:0]	ADC23_DEC_ORDER	ADC23_FS			ADC01_DEC_ORDER	ADC01_FS			0x22	R/W		
C018	ADC_CTRL2	[7:0]	RESERVED	ADC23_IBIAS			RESERVED	ADC01_IBIAS			0x00	R/W		
C019	ADC_CTRL3	[7:0]	RESERVED				ADC3_HPF_EN	ADC2_HPF_EN	ADC1_HPF_EN	ADC0_HPF_EN	0x00	R/W		
C01A	ADC_CTRL4	[7:0]	RESERVED	ADC_VOL_ZC	ADC_VOL_LINK	ADC_HARD_VOL	RESERVED		ADC23_FCOMP	ADC01_FCOMP	0x40	R/W		
C01B	ADC_CTRL5	[7:0]	RESERVED			DIFF_INPUT	ADC_AIN_CHRG_TIME					0x06	R/W	
C01C	ADC_MUTES	[7:0]	RESERVED				ADC3_MUTE	ADC2_MUTE	ADC1_MUTE	ADC0_MUTE	0x00	R/W		
C01D	ADC0_VOL	[7:0]	ADC0_VOL									0x40	R/W	
C01E	ADC1_VOL	[7:0]	ADC1_VOL									0x40	R/W	
C01F	ADC2_VOL	[7:0]	ADC2_VOL									0x40	R/W	
C020	ADC3_VOL	[7:0]	ADC3_VOL									0x40	R/W	
C021	PGA0_CTRL1	[7:0]	PGA0_SLEW_DIS	PGA0_BOOST	PGA0_GAIN[10:5]					0x00	R/W			
C022	PGA0_CTRL2	[7:0]	RESERVED			PGA0_GAIN[4:0]					0x00	R/W		
C023	PGA1_CTRL1	[7:0]	PGA1_SLEW_DIS	PGA1_BOOST	PGA1_GAIN[10:5]					0x00	R/W			
C024	PGA1_CTRL2	[7:0]	RESERVED			PGA1_GAIN[4:0]					0x00	R/W		
C025	PGA2_CTRL1	[7:0]	PGA2_SLEW_DIS	PGA2_BOOST	PGA2_GAIN[10:5]					0x00	R/W			
C026	PGA2_CTRL2	[7:0]	RESERVED			PGA2_GAIN[4:0]					0x00	R/W		
C027	PGA3_CTRL1	[7:0]	PGA3_SLEW_DIS	PGA3_BOOST	PGA3_GAIN[10:5]					0x00	R/W			
C028	PGA3_CTRL2	[7:0]	RESERVED			PGA3_GAIN[4:0]					0x00	R/W		
C029	PGA_CTRL	[7:0]	RESERVED			PGA_GAIN_LINK	RESERVED		PGA_SLEW_RATE		0x00	R/W		
C02A	MBIAS_CTRL	[7:0]	RESERVED		MBIAS_IBIAS		RESERVED		MBIAS1_LEVEL	MBIAS0_LEVEL	0x00	R/W		
C02B	DMIC_CTRL1	[7:0]	RESERVED	DMIC_CLK1_RATE			RESERVED	DMIC_CLK0_RATE			0x33	R/W		

Reg (Hex)	Name	Bits	Bit 7	Bit 6	Bit 5	Bit 4	Bit 3	Bit 2	Bit 1	Bit 0	Reset	R/W	
C02C	DMIC_CTRL2	[7:0]	DMIC01_MAP	DMIC01_EDGE	DMIC01_FCOMP	DMIC01_DEC_ORDER	DMIC01_HPF_EN	DMIC01_FS			0x01	R/W	
C02D	DMIC_CTRL3	[7:0]	DMIC23_MAP	DMIC23_EDGE	DMIC23_FCOMP	DMIC23_DEC_ORDER	DMIC23_HPF_EN	DMIC23_FS			0x01	R/W	
C02E	DMIC_CTRL4	[7:0]	DMIC45_MAP	DMIC45_EDGE	DMIC45_FCOMP	DMIC45_DEC_ORDER	DMIC45_HPF_EN	DMIC45_FS			0x01	R/W	
C02F	DMIC_CTRL5	[7:0]	DMIC67_MAP	DMIC67_EDGE	DMIC67_FCOMP	DMIC67_DEC_ORDER	DMIC67_HPF_EN	DMIC67_FS			0x01	R/W	
C030	DMIC_CTRL6	[7:0]	RESERVED					DMIC_VOL_ZC	DMIC_VOL_LINK	DMIC_HARD_VOL	0x04	R/W	
C031	DMIC_MUTES	[7:0]	DMIC7_MUTE	DMIC6_MUTE	DMIC5_MUTE	DMIC4_MUTE	DMIC3_MUTE	DMIC2_MUTE	DMIC1_MUTE	DMIC0_MUTE	0x00	R/W	
C032	DMIC_VOL0	[7:0]	DMIC0_VOL									0x40	R/W
C033	DMIC_VOL1	[7:0]	DMIC1_VOL									0x40	R/W
C034	DMIC_VOL2	[7:0]	DMIC2_VOL									0x40	R/W
C035	DMIC_VOL3	[7:0]	DMIC3_VOL									0x40	R/W
C036	DMIC_VOL4	[7:0]	DMIC4_VOL									0x40	R/W
C037	DMIC_VOL5	[7:0]	DMIC5_VOL									0x40	R/W
C038	DMIC_VOL6	[7:0]	DMIC6_VOL									0x40	R/W
C039	DMIC_VOL7	[7:0]	DMIC7_VOL									0x40	R/W
C03A	DAC_CTRL1	[7:0]	DAC_MORE_FILT	DAC_LPM	DAC_IBIAS		DAC_FCOMP	DAC_FS			0x02	R/W	
C03B	DAC_CTRL2	[7:0]	DAC1_MUTE	DAC0_MUTE	DAC1_HPF_EN	DAC0_HPF_EN	DAC_LPM_II	DAC_VOL_ZC	DAC_HARD_VOL	DAC_VOL_LINK	0xC4	R/W	
C03C	DAC_VOL0	[7:0]	DAC0_VOL									0x40	R/W
C03D	DAC_VOL1	[7:0]	DAC1_VOL									0x40	R/W
C03E	DAC_ROUTE0	[7:0]	RESERVED	DAC0_ROUTE								0x00	R/W
C03F	DAC_ROUTE1	[7:0]	RESERVED	DAC1_ROUTE								0x01	R/W
C040	HP_CTRL	[7:0]	RESERVED			HP1_MODE	RESERVED			HP0_MODE	0x00	R/W	
C041	FDEC_CTRL1	[7:0]	RESERVED	FDEC01_OUT_FS			RESERVED	FDEC01_IN_FS			0x25	R/W	
C042	FDEC_CTRL2	[7:0]	RESERVED	FDEC23_OUT_FS			RESERVED	FDEC23_IN_FS			0x25	R/W	
C043	FDEC_CTRL3	[7:0]	RESERVED	FDEC45_OUT_FS			RESERVED	FDEC45_IN_FS			0x25	R/W	
C044	FDEC_CTRL4	[7:0]	RESERVED	FDEC67_OUT_FS			RESERVED	FDEC67_IN_FS			0x25	R/W	
C045	FDEC_ROUTE0	[7:0]	RESERVED			FDEC0_ROUTE					0x00	R/W	
C046	FDEC_ROUTE1	[7:0]	RESERVED			FDEC1_ROUTE					0x00	R/W	
C047	FDEC_ROUTE2	[7:0]	RESERVED			FDEC2_ROUTE					0x00	R/W	
C048	FDEC_ROUTE3	[7:0]	RESERVED			FDEC3_ROUTE					0x00	R/W	
C049	FDEC_ROUTE4	[7:0]	RESERVED			FDEC4_ROUTE					0x00	R/W	
C04A	FDEC_ROUTE5	[7:0]	RESERVED			FDEC5_ROUTE					0x00	R/W	
C04B	FDEC_ROUTE6	[7:0]	RESERVED			FDEC6_ROUTE					0x00	R/W	
C04C	FDEC_ROUTE7	[7:0]	RESERVED			FDEC7_ROUTE					0x00	R/W	
C04D	FINT_CTRL1	[7:0]	RESERVED	FINT01_OUT_FS			RESERVED	FINT01_IN_FS			0x52	R/W	
C04E	FINT_CTRL2	[7:0]	RESERVED	FINT23_OUT_FS			RESERVED	FINT23_IN_FS			0x52	R/W	
C04F	FINT_CTRL3	[7:0]	RESERVED	FINT45_OUT_FS			RESERVED	FINT45_IN_FS			0x52	R/W	
C050	FINT_CTRL4	[7:0]	RESERVED	FINT67_OUT_FS			RESERVED	FINT67_IN_FS			0x52	R/W	

Reg (Hex)	Name	Bits	Bit 7	Bit 6	Bit 5	Bit 4	Bit 3	Bit 2	Bit 1	Bit 0	Reset	R/W		
C051	FINT_ROUTE0	[7:0]	RESERVED	FINT0_ROUTE							0x00	R/W		
C052	FINT_ROUTE1	[7:0]	RESERVED	FINT1_ROUTE							0x00	R/W		
C053	FINT_ROUTE2	[7:0]	RESERVED	FINT2_ROUTE							0x00	R/W		
C054	FINT_ROUTE3	[7:0]	RESERVED	FINT3_ROUTE							0x00	R/W		
C055	FINT_ROUTE4	[7:0]	RESERVED	FINT4_ROUTE							0x00	R/W		
C056	FINT_ROUTE5	[7:0]	RESERVED	FINT5_ROUTE							0x00	R/W		
C057	FINT_ROUTE6	[7:0]	RESERVED	FINT6_ROUTE							0x00	R/W		
C058	FINT_ROUTE7	[7:0]	RESERVED	FINT7_ROUTE							0x00	R/W		
C059	ASRCI_CTRL	[7:0]	ASRCI_MORE_FILTER	ASRCI_VFILT	ASRCI_LPM	ASRCI_SOURCE	ASRCI_LPM_I1	ASRCI_OUT_FS			0x02	R/W		
C05A	ASRCI_ROUTE01	[7:0]	ASRCI1_ROUTE				ASRCI0_ROUTE					0x00	R/W	
C05B	ASRCI_ROUTE23	[7:0]	ASRCI3_ROUTE				ASRCI2_ROUTE					0x00	R/W	
C05C	ASRCO_CTRL	[7:0]	ASRCO_MORE_FILTER	ASRCO_VFILT	ASRCO_LPM	ASRCO_SAI_SEL	ASRCO_LPM_I1	ASRCO_IN_FS				0x02	R/W	
C05D	ASRCO_ROUTE0	[7:0]	RESERVED			ASRCO0_ROUTE						0x00	R/W	
C05E	ASRCO_ROUTE1	[7:0]	RESERVED			ASRCO1_ROUTE						0x00	R/W	
C05F	ASRCO_ROUTE2	[7:0]	RESERVED			ASRCO2_ROUTE						0x00	R/W	
C060	ASRCO_ROUTE3	[7:0]	RESERVED			ASRCO3_ROUTE						0x00	R/W	
C061	FDSP_RUN	[7:0]	RESERVED								FDSP_RUN	0x00	R/W	
C062	FDSP_CTRL1	[7:0]	FDSP_RAMP_RATE				FDSP_ZERO_STATE	FDSP_RAMP_MODE	FDSP_BANK_SEL			0x70	R/W	
C063	FDSP_CTRL2	[7:0]	RESERVED			FDSP_LAMBDA						0x3F	R/W	
C064	FDSP_CTRL3	[7:0]	RESERVED			FDSP_COPY_CB	FDSP_COPY_CA	FDSP_COPY_BC	FDSP_COPY_BA	FDSP_COPY_AC	FDSP_COPY_AB	0x00	W	
C065	FDSP_CTRL4	[7:0]	RESERVED				FDSP_EXP_ATK_SPEED	FDSP_RATE_SOURCE					0x00	R/W
C066	FDSP_CTRL5	[7:0]	FDSP_RATE_DIV[15:8]										0x00	R/W
C067	FDSP_CTRL6	[7:0]	FDSP_RATE_DIV[7:0]										0x7F	R/W
C068	FDSP_CTRL7	[7:0]	RESERVED			FDSP_MOD_N						0x00	R/W	
C069	FDSP_CTRL8	[7:0]	FDSP_REG_COND7	FDSP_REG_COND6	FDSP_REG_COND5	FDSP_REG_COND4	FDSP_REG_COND3	FDSP_REG_COND2	FDSP_REG_COND1	FDSP_REG_COND0	0x00	R/W		
C06A	FDSP_SL_ADDR	[7:0]	RESERVED			FDSP_SL_ADDR						0x00	R/W	
C06B	FDSP_SL_P0_3	[7:0]	FDSP_SL_P0[31:24]										0x00	R/W
C06C	FDSP_SL_P0_2	[7:0]	FDSP_SL_P0[23:16]										0x00	R/W
C06D	FDSP_SL_P0_1	[7:0]	FDSP_SL_P0[15:8]										0x00	R/W
C06E	FDSP_SL_P0_0	[7:0]	FDSP_SL_P0[7:0]										0x00	R/W
C06F	FDSP_SL_P1_3	[7:0]	FDSP_SL_P1[31:24]										0x00	R/W
C070	FDSP_SL_P1_2	[7:0]	FDSP_SL_P1[23:16]										0x00	R/W

Reg (Hex)	Name	Bits	Bit 7	Bit 6	Bit 5	Bit 4	Bit 3	Bit 2	Bit 1	Bit 0	Reset	R/W	
C071	FDSP_SL_P1_1	[7:0]	FDSP_SL_P1[15:8]									0x00	R/W
C072	FDSP_SL_P1_0	[7:0]	FDSP_SL_P1[7:0]									0x00	R/W
C073	FDSP_SL_P2_3	[7:0]	FDSP_SL_P2[31:24]									0x00	R/W
0xC074	FDSP_SL_P2_2	[7:0]	FDSP_SL_P2[23:16]									0x00	R/W
C075	FDSP_SL_P2_1	[7:0]	FDSP_SL_P2[15:8]									0x00	R/W
C076	FDSP_SL_P2_0	[7:0]	FDSP_SL_P2[7:0]									0x00	R/W
C077	FDSP_SL_P3_3	[7:0]	FDSP_SL_P3[31:24]									0x00	R/W
C078	FDSP_SL_P3_2	[7:0]	FDSP_SL_P3[23:16]									0x00	R/W
C079	FDSP_SL_P3_1	[7:0]	FDSP_SL_P3[15:8]									0x00	R/W
C07A	FDSP_SL_P3_0	[7:0]	FDSP_SL_P3[7:0]									0x00	R/W
C07B	FDSP_SL_P4_3	[7:0]	FDSP_SL_P4[31:24]									0x00	R/W
C07C	FDSP_SL_P4_2	[7:0]	FDSP_SL_P4[23:16]									0x00	R/W
C07D	FDSP_SL_P4_1	[7:0]	FDSP_SL_P4[15:8]									0x00	R/W
C07E	FDSP_SL_P4_0	[7:0]	FDSP_SL_P4[7:0]									0x00	R/W
C07F	FDSP_SL_UPDATE	[7:0]	RESERVED								FDSP_SL_UPDATE	0x00	W
C080	SDSP_CTRL1	[7:0]	RESERVED			SDSP_SPEED	SDSP_RATE_SOURCE					0x00	R/W
C081	SDSP_CTRL2	[7:0]	RESERVED								SDSP_RUN	0x00	R/W
C082	SDSP_CTRL3	[7:0]	RESERVED			SDSP_WDOG_MUTE	RESERVED				SDSP_WDOG_EN	0x00	R/W
C083	SDSP_CTRL4	[7:0]	SDSP_WDOG_VAL[23:16]									0x00	R/W
C084	SDSP_CTRL5	[7:0]	SDSP_WDOG_VAL[15:8]									0x00	R/W
C085	SDSP_CTRL6	[7:0]	SDSP_WDOG_VAL[7:0]									0x00	R/W
C086	SDSP_CTRL7	[7:0]	RESERVED				SDSP_MOD_DATA_MEM[11:8]					0x07	R/W
C087	SDSP_CTRL8	[7:0]	SDSP_MOD_DATA_MEM[7:0]									0xF4	R/W
C088	SDSP_CTRL9	[7:0]	SDSP_RATE_DIV[15:8]									0x07	R/W
C089	SDSP_CTRL10	[7:0]	SDSP_RATE_DIV[7:0]									0xFF	R/W
C08A	SDSP_CTRL11	[7:0]	RESERVED				SDSP_INT3	SDSP_INT2	SDSP_INT1	SDSP_INT0		0x00	W
C08B	MP_CTRL1	[7:0]	MP1_MODE				MP0_MODE					0x00	R/W
C08C	MP_CTRL2	[7:0]	MP3_MODE				MP2_MODE					0x00	R/W
C08D	MP_CTRL3	[7:0]	MP5_MODE				MP4_MODE					0x00	R/W
C08E	MP_CTRL4	[7:0]	MP7_MODE				MP6_MODE					0x00	R/W
C08F	MP_CTRL5	[7:0]	MP9_MODE				MP8_MODE					0x00	R/W
C090	MP_CTRL6	[7:0]	MP11_MODE				MP10_MODE					0x00	R/W
C091	MP_CTRL7	[7:0]	RESERVED	MCLKO_RATE			RESERVED	GPL_DB				0x10	R/W
C092	MP_CTRL8	[7:0]	GPIO7_OUT	GPIO6_OUT	GPIO5_OUT	GPIO4_OUT	GPIO3_OUT	GPIO2_OUT	GPIO1_OUT	GPIO0_OUT	0x00	R/W	
C093	MP_CTRL9	[7:0]	RESERVED			GPIO12_OUT	GPIO11_OUT	GPIO10_OUT	GPIO9_OUT	GPIO8_OUT	0x00	R/W	

Reg (Hex)	Name	Bits	Bit 7	Bit 6	Bit 5	Bit 4	Bit 3	Bit 2	Bit 1	Bit 0	Reset	R/W
C094	FSYNC0_CTRL	[7:0]	RESERVED		FSYNC0_PULL_SEL	FSYNC0_PULL_EN	RESERVED	FSYNC0_SLEW	FSYNC0_DRIVE		0x05	R/W
C095	BCLK0_CTRL	[7:0]	RESERVED		BCLK0_PULL_SEL	BCLK0_PULL_EN	RESERVED	BCLK0_SLEW	BCLK0_DRIVE		0x05	R/W
C096	SDATA00_CTRL	[7:0]	RESERVED					SDATA00_SLEW	RESERVED	SDATA00_DRIVE	0x04	R/W
C097	SDATA10_CTRL	[7:0]	RESERVED		SDATA10_PULL_SEL	SDATA10_PULL_EN	RESERVED	SDATA10_SLEW	SDATA10_DRIVE		0x05	R/W
C098	FSYNC1_CTRL	[7:0]	RESERVED		FSYNC1_PULL_SEL	FSYNC1_PULL_EN	RESERVED	FSYNC1_SLEW	FSYNC1_DRIVE		0x05	R/W
C099	BCLK1_CTRL	[7:0]	RESERVED		BCLK1_PULL_SEL	BCLK1_PULL_EN	RESERVED	BCLK1_SLEW	BCLK1_DRIVE		0x05	R/W
C09A	SDATA01_CTRL	[7:0]	RESERVED		SDATA01_PULL_SEL	SDATA01_PULL_EN	RESERVED	SDATA01_SLEW	SDATA01_DRIVE		0x05	R/W
C09B	SDATA11_CTRL	[7:0]	RESERVED		SDATA11_PULL_SEL	SDATA11_PULL_EN	RESERVED	SDATA11_SLEW	SDATA11_DRIVE		0x05	R/W
C09C	DMIC_CLK0_CTRL	[7:0]	RESERVED		DMIC_CLK0_PULL_SEL	DMIC_CLK0_PULL_EN	RESERVED	DMIC_CLK0_SLEW	DMIC_CLK0_DRIVE		0x05	R/W
C09D	DMIC_CLK1_CTRL	[7:0]	RESERVED		DMIC_CLK1_PULL_SEL	DMIC_CLK1_PULL_EN	RESERVED	DMIC_CLK1_SLEW	DMIC_CLK1_DRIVE		0x05	R/W
C09E	DMIC01_CTRL	[7:0]	RESERVED		DMIC01_PULL_SEL	DMIC01_PULL_EN	RESERVED	DMIC01_SLEW	DMIC01_DRIVE		0x05	R/W
C09F	DMIC23_CTRL	[7:0]	RESERVED		DMIC23_PULL_SEL	DMIC23_PULL_EN	RESERVED	DMIC23_SLEW	DMIC23_DRIVE		0x05	R/W
C0A0	I2C_SPI_CTRL	[7:0]	RESERVED						SCL_SCLK_DRIVE	SDA_MISO_DRIVE	0x00	R/W
C0A1	IRQ_CTRL1	[7:0]	RESERVED		IRQ2_FUNC	IRQ1_FUNC	RESERVED		IRQ2_CLEAR	IRQ1_CLEAR	0x00	R/W
C0A2	IRQ1_MASK1	[7:0]	IRQ1_ADC3_CLIP_MASK	IRQ1_ADC2_CLIP_MASK	IRQ1_ADC1_CLIP_MASK	IRQ1_ADC0_CLIP_MASK	RESERVED		IRQ1_DAC1_CLIP_MASK	IRQ1_DAC0_CLIP_MASK	0xF3	R/W
C0A3	IRQ1_MASK2	[7:0]	IRQ1_ASRCO_UNLOCKED_MASK	IRQ1_ASRCO_LOCKED_MASK	IRQ1_ASRCI_UNLOCKED_MASK	IRQ1_ASRCI_LOCKED_MASK	IRQ1_PRAMP_MASK	IRQ1_AVDD_UVW_MASK	IRQ1_PLL_UNLOCKED_MASK	IRQ1_PLL_LOCKED_MASK	0xFF	R/W
C0A4	IRQ1_MASK3	[7:0]	RESERVED			IRQ1_POWER_UP_COMPLETE_MASK	IRQ1_SDSP3_MASK	IRQ1_SDSP2_MASK	IRQ1_SDSP1_MASK	IRQ1_SDSP0_MASK	0x1F	R/W
C0A5	IRQ2_MASK1	[7:0]	IRQ2_ADC3_CLIP_MASK	IRQ2_ADC2_CLIP_MASK	IRQ2_ADC1_CLIP_MASK	IRQ2_ADC0_CLIP_MASK	RESERVED		IRQ2_DAC1_CLIP_MASK	IRQ2_DAC0_CLIP_MASK	0xF3	R/W
C0A6	IRQ2_MASK2	[7:0]	IRQ2_ASRCO_UNLOCKED_MASK	IRQ2_ASRCO_LOCKED_MASK	IRQ2_ASRCI_UNLOCKED_MASK	IRQ2_ASRCI_LOCKED_MASK	IRQ2_PRAMP_MASK	IRQ2_AVDD_UVW_MASK	IRQ2_PLL_UNLOCKED_MASK	IRQ2_PLL_LOCKED_MASK	0xFF	R/W
C0A7	IRQ2_MASK3	[7:0]	RESERVED			IRQ2_POWER_UP_COMPLETE_MASK	IRQ2_SDSP3_MASK	IRQ2_SDSP2_MASK	IRQ2_SDSP1_MASK	IRQ2_SDSP0_MASK	0x1F	R/W
C0A8	RESETS	[7:0]	RESERVED			SOFT_RESET	RESERVED			SOFT_FULL_RESET	0x00	W
C0A9	READ_LAMBDA	[7:0]	RESERVED			FDSP_CURRENT_LAMBDA					0x3F	R
C0AA	STATUS1	[7:0]	ADC3_CLIP	ADC2_CLIP	ADC1_CLIP	ADC0_CLIP	RESERVED		DAC1_CLIP	DAC0_CLIP	0x00	R
C0AB	STATUS2	[7:0]	POWER_UP_COMPLETE	SYNC_LOCK	SPT1_LOCK	SPT0_LOCK	ASRCO_LOCK	ASRCI_LOCK	AVDD_UVW	PLL_LOCK	0x00	R
C0AC	GP11	[7:0]	GPIO7_IN	GPIO6_IN	GPIO5_IN	GPIO4_IN	GPIO3_IN	GPIO2_IN	GPIO1_IN	GPIO0_IN	0x00	R
C0AD	GP12	[7:0]	RESERVED			GPIO12_IN	GPIO11_IN	GPIO10_IN	GPIO9_IN	GPIO8_IN	0x00	R

Reg (Hex)	Name	Bits	Bit 7	Bit 6	Bit 5	Bit 4	Bit 3	Bit 2	Bit 1	Bit 0	Reset	R/W
COAE	DSP_STATUS	[7:0]	RESERVED							SDSP_WDOG_ERROR	0x00	R
COAF	IRQ1_STATUS1	[7:0]	IRQ1_ADC3_CLIP	IRQ1_ADC2_CLIP	IRQ1_ADC1_CLIP	IRQ1_ADC0_CLIP	RESERVED		IRQ1_DAC1_CLIP	IRQ1_DAC0_CLIP	0x00	R
COB0	IRQ1_STATUS2	[7:0]	IRQ1_ASRCO_UNLOCKED	IRQ1_ASRCO_LOCKED	IRQ1_ASRCI_UNLOCKED	IRQ1_ASRCI_LOCKED	IRQ1_PRAMP	IRQ1_AVDD_UVW	IRQ1_PLL_UNLOCKED	IRQ1_PLL_LOCKED	0x00	R
COB1	IRQ1_STATUS3	[7:0]	RESERVED			IRQ1_POWER_UP_COMPLETE	IRQ1_SDSP3	IRQ1_SDSP2	IRQ1_SDSP1	IRQ1_SDSP0	0x00	R
COB2	IRQ2_STATUS1	[7:0]	IRQ2_ADC3_CLIP	IRQ2_ADC2_CLIP	IRQ2_ADC1_CLIP	IRQ2_ADC0_CLIP	RESERVED		IRQ2_DAC1_CLIP	IRQ2_DAC0_CLIP	0x00	R
COB3	IRQ2_STATUS2	[7:0]	IRQ2_ASRCO_UNLOCKED	IRQ2_ASRCO_LOCKED	IRQ2_ASRCI_UNLOCKED	IRQ2_ASRCI_LOCKED	IRQ2_PRAMP	IRQ2_AVDD_UVW	IRQ2_PLL_UNLOCKED	IRQ2_PLL_LOCKED	0x00	R
COB4	IRQ2_STATUS3	[7:0]	RESERVED			IRQ2_POWER_UP_COMPLETE	IRQ2_SDSP3	IRQ2_SDSP2	IRQ2_SDSP1	IRQ2_SDSP0	0x00	R
COB5	SPT0_CTRL1	[7:0]	RESERVED	SPT0_TRI_STATE	SPT0_SLOT_WIDTH		SPT0_DATA_FORMAT			SPT0_SAI_MODE	0x00	R/W
COB6	SPT0_CTRL2	[7:0]	SPT0_LRCLK_POL	SPT0_LRCLK_SRC			SPT0_BCLK_POL	SPT0_BCLK_SRC			0x00	R/W
COB7	SPT0_ROUTE0	[7:0]	RESERVED		SPT0_OUT_ROUTE0						0x10	R/W
COB8	SPT0_ROUTE1	[7:0]	RESERVED		SPT0_OUT_ROUTE1						0x11	R/W
COB9	SPT0_ROUTE2	[7:0]	RESERVED		SPT0_OUT_ROUTE2						0x3F	R/W
COBA	SPT0_ROUTE3	[7:0]	RESERVED		SPT0_OUT_ROUTE3						0x3F	R/W
COBB	SPT0_ROUTE4	[7:0]	RESERVED		SPT0_OUT_ROUTE4						0x3F	R/W
COBC	SPT0_ROUTE5	[7:0]	RESERVED		SPT0_OUT_ROUTE5						0x3F	R/W
COBD	SPT0_ROUTE6	[7:0]	RESERVED		SPT0_OUT_ROUTE6						0x3F	R/W
COBE	SPT0_ROUTE7	[7:0]	RESERVED		SPT0_OUT_ROUTE7						0x3F	R/W
COBF	SPT0_ROUTE8	[7:0]	RESERVED		SPT0_OUT_ROUTE8						0x3F	R/W
COC0	SPT0_ROUTE9	[7:0]	RESERVED		SPT0_OUT_ROUTE9						0x3F	R/W
COC1	SPT0_ROUTE10	[7:0]	RESERVED		SPT0_OUT_ROUTE10						0x3F	R/W
COC2	SPT0_ROUTE11	[7:0]	RESERVED		SPT0_OUT_ROUTE11						0x3F	R/W
COC3	SPT0_ROUTE12	[7:0]	RESERVED		SPT0_OUT_ROUTE12						0x3F	R/W
COC4	SPT0_ROUTE13	[7:0]	RESERVED		SPT0_OUT_ROUTE13						0x3F	R/W
COC5	SPT0_ROUTE14	[7:0]	RESERVED		SPT0_OUT_ROUTE14						0x3F	R/W
COC6	SPT0_ROUTE15	[7:0]	RESERVED		SPT0_OUT_ROUTE15						0x3F	R/W
COC7	SPT1_CTRL1	[7:0]	RESERVED	SPT1_TRI_STATE	SPT1_SLOT_WIDTH		SPT1_DATA_FORMAT			SPT1_SAI_MODE	0x00	R/W
COC8	SPT1_CTRL2	[7:0]	SPT1_LRCLK_POL	SPT1_LRCLK_SRC			SPT1_BCLK_POL	SPT1_BCLK_SRC			0x00	R/W

Reg (Hex)	Name	Bits	Bit 7	Bit 6	Bit 5	Bit 4	Bit 3	Bit 2	Bit 1	Bit 0	Reset	R/W	
C0C9	SPT1_ROUTE0	[7:0]	RESERVED			SPT1_OUT_ROUTE0					0x10	R/W	
C0CA	SPT1_ROUTE1	[7:0]	RESERVED			SPT1_OUT_ROUTE1					0x11	R/W	
C0CB	SPT1_ROUTE2	[7:0]	RESERVED			SPT1_OUT_ROUTE2					0x3F	R/W	
C0CC	SPT1_ROUTE3	[7:0]	RESERVED			SPT1_OUT_ROUTE3					0x3F	R/W	
C0CD	SPT1_ROUTE4	[7:0]	RESERVED			SPT1_OUT_ROUTE4					0x3F	R/W	
C0CE	SPT1_ROUTE5	[7:0]	RESERVED			SPT1_OUT_ROUTE5					0x3F	R/W	
C0CF	SPT1_ROUTE6	[7:0]	RESERVED			SPT1_OUT_ROUTE6					0x3F	R/W	
C0D0	SPT1_ROUTE7	[7:0]	RESERVED			SPT1_OUT_ROUTE7					0x3F	R/W	
C0D1	SPT1_ROUTE8	[7:0]	RESERVED			SPT1_OUT_ROUTE8					0x3F	R/W	
C0D2	SPT1_ROUTE9	[7:0]	RESERVED			SPT1_OUT_ROUTE9					0x3F	R/W	
C0D3	SPT1_ROUTE10	[7:0]	RESERVED			SPT1_OUT_ROUTE10					0x3F	R/W	
C0D4	SPT1_ROUTE11	[7:0]	RESERVED			SPT1_OUT_ROUTE11					0x3F	R/W	
C0D5	SPT1_ROUTE12	[7:0]	RESERVED			SPT1_OUT_ROUTE12					0x3F	R/W	
C0D6	SPT1_ROUTE13	[7:0]	RESERVED			SPT1_OUT_ROUTE13					0x3F	R/W	
C0D7	SPT1_ROUTE14	[7:0]	RESERVED			SPT1_OUT_ROUTE14					0x3F	R/W	
C0D8	SPT1_ROUTE15	[7:0]	RESERVED			SPT1_OUT_ROUTE15					0x3F	R/W	
C0D9	MP_CTRL10	[7:0]	RESERVED				MP12_MODE				0x00	R/W	
C0DA	SELFBOOT_CTRL	[7:0]	RESERVED	SELFBOOT_SLEW	SELFBOOT_PULL_SEL	SELFBOOT_PULL_EN	RESERVED		SELFBOOT_DRIVE		0x45	R/W	
C0DB	SW_EN_CTRL	[7:0]	RESERVED	SWEN_SLEW	SWEN_PULL_SEL	SWEN_PULL_EN	RESERVED		SWEN_DRIVE		0x45	R/W	
C0DC	PDM_CTRL1	[7:0]	PDM_MORE_FILTER	RESERVED		PDM_RATE	PDM_FCOMP	PDM_FS			0x02	R/W	
C0DD	PDM_CTRL2	[7:0]	PDM1_MUTE	PDM0_MUTE	PDM1_HPF_EN	PDM0_HPF_EN	RESERVED	PDM_VOL_ZC	PDM_HARD_VOL	PDM_VOL_LINK	0xC4	R/W	
C0DE	PDM_VOL0	[7:0]	PDM0_VOL									0x40	R/W
C0DF	PDM_VOL1	[7:0]	PDM1_VOL									0x40	R/W
C0E0	PDM_ROUTE0	[7:0]	RESERVED	PDM0_ROUTE							0x00	R/W	
C0E1	PDM_ROUTE1	[7:0]	RESERVED	PDM1_ROUTE							0x01	R/W	

REGISTER DETAILS

ADI VENDOR ID REGISTER

Address: 0xC000, Reset: 0x41, Name: VENDOR_ID

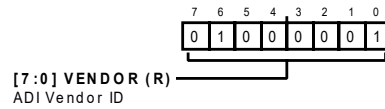


Table 40. Bit Descriptions for VENDOR_ID

Bits	Bit Name	Settings	Description	Reset	Access
[7:0]	VENDOR		ADI Vendor ID	0x41	R

DEVICE ID REGISTERS

Address: 0xC001, Reset: 0x17, Name: DEVICE_ID1

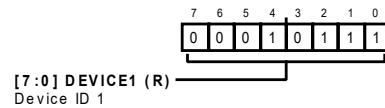


Table 41. Bit Descriptions for DEVICE_ID1

Bits	Bit Name	Settings	Description	Reset	Access
[7:0]	DEVICE1		Device ID 1	0x17	R

Address: 0xC002, Reset: 0x87, Name: DEVICE_ID2

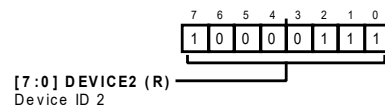


Table 42. Bit Descriptions for DEVICE_ID2

Bits	Bit Name	Settings	Description	Reset	Access
[7:0]	DEVICE2		Device ID 2	0x87	R

REVISION CODE REGISTER

Address: 0xC003, Reset: 0x01, Name: REVISION

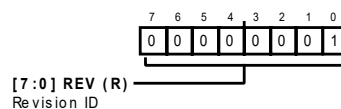


Table 43. Bit Descriptions for REVISION

Bits	Bit Name	Settings	Description	Reset	Access
[7:0]	REV		Revision ID	0x1	R

ADC, DAC, HEADPHONE POWER CONTROLS REGISTER

Address: 0xC004, Reset: 0x00, Name: ADC_DAC_HP_PWR

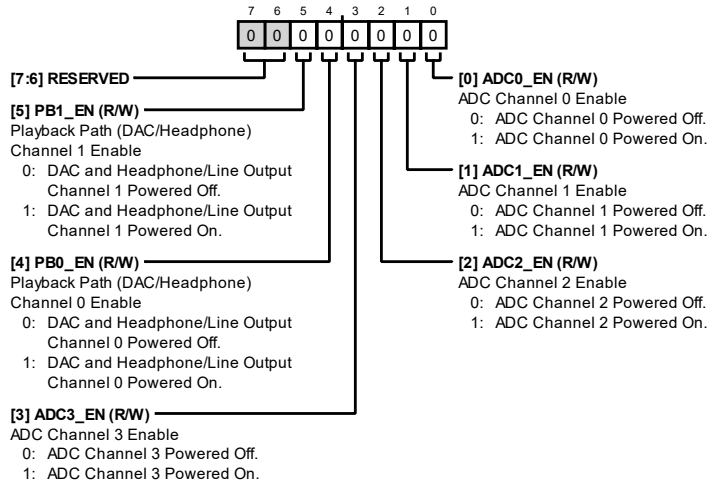


Table 44. Bit Descriptions for ADC_DAC_HP_PWR

Bits	Bit Name	Settings	Description	Reset	Access
[7:6]	RESERVED		Reserved.	0x0	R
5	PB1_EN	0 1	Playback Path (DAC/Headphone) Channel 1 Enable. DAC and Headphone/Line Output Channel 1 Powered Off. DAC and Headphone/Line Output Channel 1 Powered On.	0x0	R/W
4	PB0_EN	0 1	Playback Path (DAC/Headphone) Channel 0 Enable. DAC and Headphone/Line Output Channel 0 Powered Off. DAC and Headphone/Line Output Channel 0 Powered On.	0x0	R/W
3	ADC3_EN	0 1	ADC Channel 3 Enable. ADC Channel 3 Powered Off. ADC Channel 3 Powered On.	0x0	R/W
2	ADC2_EN	0 1	ADC Channel 2 Enable. ADC Channel 2 Powered Off. ADC Channel 2 Powered On.	0x0	R/W
1	ADC1_EN	0 1	ADC Channel 1 Enable. ADC Channel 1 Powered Off. ADC Channel 1 Powered On.	0x0	R/W
0	ADC0_EN	0 1	ADC Channel 0 Enable. ADC Channel 0 Powered Off. ADC Channel 0 Powered On.	0x0	R/W

PLL, MICROPHONE BIAS, AND PGA POWER CONTROLS REGISTER

Address: 0xC005, Reset: 0x02, Name: PLL_MB_PGA_PWR

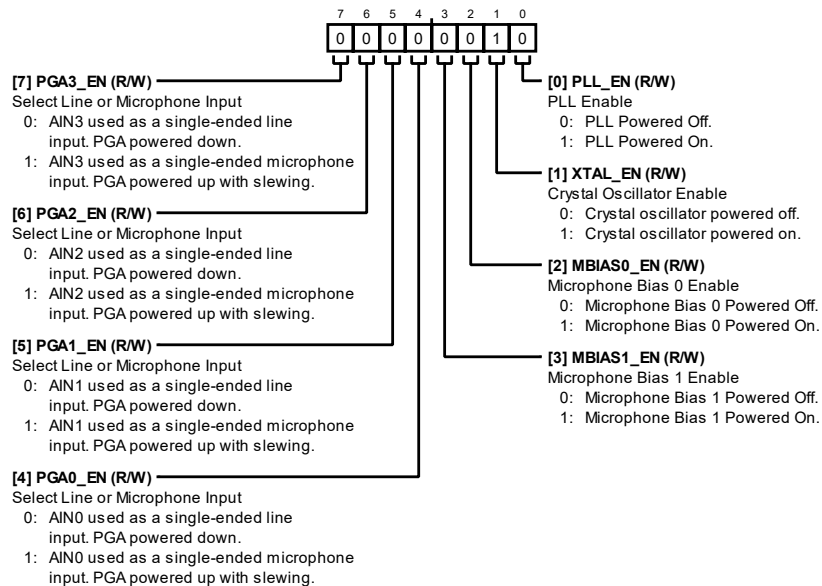


Table 45. Bit Descriptions for PLL_MB_PGA_PWR

Bits	Bit Name	Settings	Description	Reset	Access
7	PGA3_EN	0 1	Select Line or Microphone Input. The PGA inverts the signal going through the bit. AIN3 used as a single-ended line input. PGA powered down. AIN3 used as a single-ended microphone input. PGA powered up with slewing.	0x0	R/W
6	PGA2_EN	0 1	Select Line or Microphone Input. The PGA inverts the signal going through the bit. AIN2 used as a single-ended line input. PGA powered down. AIN2 used as a single-ended microphone input. PGA powered up with slewing.	0x0	R/W
5	PGA1_EN	0 1	Select Line or Microphone Input. The PGA inverts the signal going through the bit. AIN1 used as a single-ended line input. PGA powered down. AIN1 used as a single-ended microphone input. PGA powered up with slewing.	0x0	R/W
4	PGA0_EN	0 1	Select Line or Microphone Input. The PGA inverts the signal going through the bit. AIN0 used as a single-ended line input. PGA powered down. AIN0 used as a single-ended microphone input. PGA powered up with slewing.	0x0	R/W
3	MBIAS1_EN	0 1	Microphone Bias 1 Enable. Microphone Bias 1 Powered Off. Microphone Bias 1 Powered On.	0x0	R/W
2	MBIAS0_EN	0 1	Microphone Bias 0 Enable. Microphone Bias 0 Powered Off. Microphone Bias 0 Powered On.	0x0	R/W
1	XTAL_EN	0 1	Crystal Oscillator Enable. Crystal oscillator powered off. Crystal oscillator powered on.	0x1	R/W
0	PLL_EN	0 1	PLL Enable. PLL Powered Off. PLL Powered On.	0x0	R/W

DIGITAL MICROPHONE POWER CONTROLS REGISTER

Address: 0xC006, Reset: 0x00, Name: DMIC_PWR

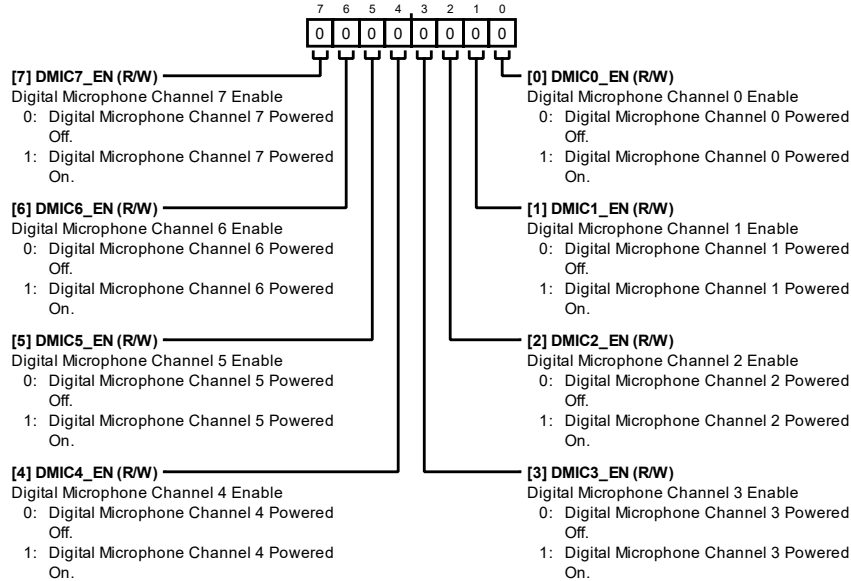


Table 46. Bit Descriptions for DMIC_PWR

Bits	Bit Name	Settings	Description	Reset	Access
7	DMIC7_EN	0 1	Digital Microphone Channel 7 Enable. Digital Microphone Channel 7 Powered Off. Digital Microphone Channel 7 Powered On.	0x0	R/W
6	DMIC6_EN	0 1	Digital Microphone Channel 6 Enable. Digital Microphone Channel 6 Powered Off. Digital Microphone Channel 6 Powered On.	0x0	R/W
5	DMIC5_EN	0 1	Digital Microphone Channel 5 Enable. Digital Microphone Channel 5 Powered Off. Digital Microphone Channel 5 Powered On.	0x0	R/W
4	DMIC4_EN	0 1	Digital Microphone Channel 4 Enable. Digital Microphone Channel 4 Powered Off. Digital Microphone Channel 4 Powered On.	0x0	R/W
3	DMIC3_EN	0 1	Digital Microphone Channel 3 Enable. Digital Microphone Channel 3 Powered Off. Digital Microphone Channel 3 Powered On.	0x0	R/W
2	DMIC2_EN	0 1	Digital Microphone Channel 2 Enable. Digital Microphone Channel 2 Powered Off. Digital Microphone Channel 2 Powered On.	0x0	R/W
1	DMIC1_EN	0 1	Digital Microphone Channel 1 Enable. Digital Microphone Channel 1 Powered Off. Digital Microphone Channel 1 Powered On.	0x0	R/W
0	DMIC0_EN	0 1	Digital Microphone Channel 0 Enable. Digital Microphone Channel 0 Powered Off. Digital Microphone Channel 0 Powered On.	0x0	R/W

SERIAL PORT, PDM OUTPUT, AND DIGITAL MICROPHONE CLK POWER CONTROLS REGISTER

Address: 0xC007, Reset: 0x00, Name: SAI_CLK_PWR

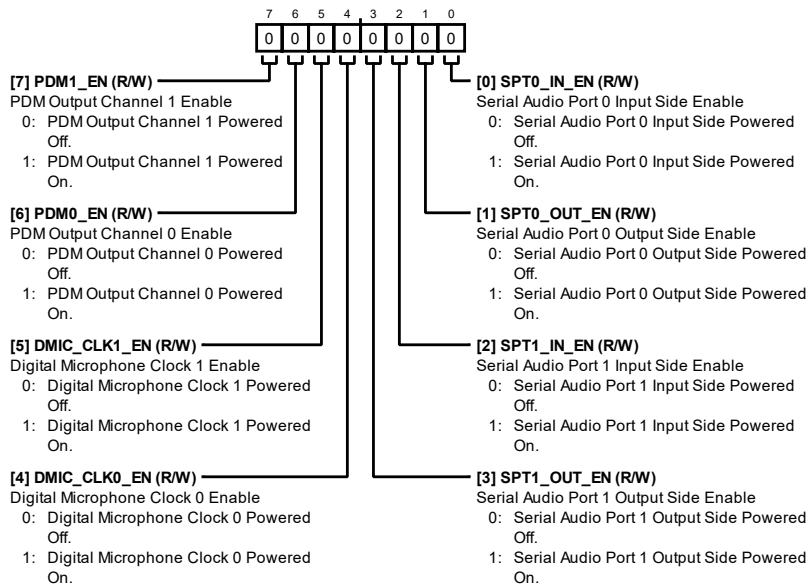


Table 47. Bit Descriptions for SAI_CLK_PWR

Bits	Bit Name	Settings	Description	Reset	Access
7	PDM1_EN	0 1	PDM Output Channel 1 Enable. PDM Output Channel 1 Powered Off. PDM Output Channel 1 Powered On.	0x0	R/W
6	PDM0_EN	0 1	PDM Output Channel 0 Enable. PDM Output Channel 0 Powered Off. PDM Output Channel 0 Powered On.	0x0	R/W
5	DMIC_CLK1_EN	0 1	Digital Microphone Clock 1 Enable. Digital Microphone Clock 1 Powered Off. Digital Microphone Clock 1 Powered On.	0x0	R/W
4	DMIC_CLK0_EN	0 1	Digital Microphone Clock 0 Enable. Digital Microphone Clock 0 Powered Off. Digital Microphone Clock 0 Powered On.	0x0	R/W
3	SPT1_OUT_EN	0 1	Serial Audio Port 1 Output Side Enable. Serial Audio Port 1 Output Side Powered Off. Serial Audio Port 1 Output Side Powered On.	0x0	R/W
2	SPT1_IN_EN	0 1	Serial Audio Port 1 Input Side Enable. Serial Audio Port 1 Input Side Powered Off. Serial Audio Port 1 Input Side Powered On.	0x0	R/W
1	SPT0_OUT_EN	0 1	Serial Audio Port 0 Output Side Enable. Serial Audio Port 0 Output Side Powered Off. Serial Audio Port 0 Output Side Powered On.	0x0	R/W
0	SPT0_IN_EN	0 1	Serial Audio Port 0 Input Side Enable. Serial Audio Port 0 Input Side Powered Off. Serial Audio Port 0 Input Side Powered On.	0x0	R/W

DSP POWER CONTROLS REGISTER

Address: 0xC008, Reset: 0x00, Name: DSP_PWR

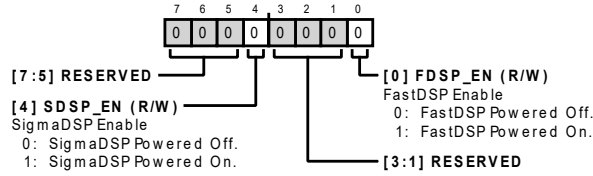


Table 48. Bit Descriptions for DSP_PWR

Bits	Bit Name	Settings	Description	Reset	Access
[7:5]	RESERVED		Reserved.	0x0	R
4	SDSP_EN	0 1	SigmaDSP Enable. SigmaDSP Powered Off. SigmaDSP Powered On.	0x0	R/W
[3:1]	RESERVED		Reserved.	0x0	R
0	FDSP_EN	0 1	FastDSP Enable. FastDSP Powered Off. FastDSP Powered On.	0x0	R/W

ASRC POWER CONTROLS REGISTER

Address: 0xC009, Reset: 0x00, Name: ASRC_PWR

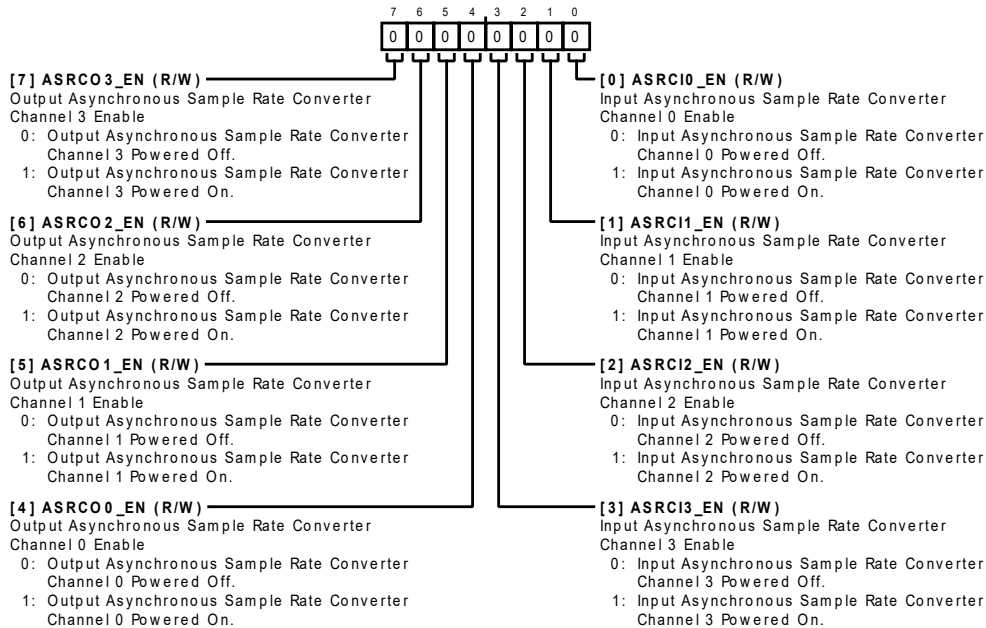


Table 49. Bit Descriptions for ASRC_PWR

Bits	Bit Name	Settings	Description	Reset	Access
7	ASRCO3_EN	0 1	Output Asynchronous Sample Rate Converter Channel 3 Enable. Output Asynchronous Sample Rate Converter Channel 3 Powered Off. Output Asynchronous Sample Rate Converter Channel 3 Powered On.	0x0	R/W
6	ASRCO2_EN	0 1	Output Asynchronous Sample Rate Converter Channel 2 Enable. Output Asynchronous Sample Rate Converter Channel 2 Powered Off. Output Asynchronous Sample Rate Converter Channel 2 Powered On.	0x0	R/W

Bits	Bit Name	Settings	Description	Reset	Access
5	ASRCO1_EN	0 1	Output Asynchronous Sample Rate Converter Channel 1 Enable. Output Asynchronous Sample Rate Converter Channel 1 Powered Off. Output Asynchronous Sample Rate Converter Channel 1 Powered On.	0x0	R/W
4	ASRCO0_EN	0 1	Output Asynchronous Sample Rate Converter Channel 0 Enable. Output Asynchronous Sample Rate Converter Channel 0 Powered Off. Output Asynchronous Sample Rate Converter Channel 0 Powered On.	0x0	R/W
3	ASRCI3_EN	0 1	Input Asynchronous Sample Rate Converter Channel 3 Enable. Input Asynchronous Sample Rate Converter Channel 3 Powered Off. Input Asynchronous Sample Rate Converter Channel 3 Powered On.	0x0	R/W
2	ASRCI2_EN	0 1	Input Asynchronous Sample Rate Converter Channel 2 Enable. Input Asynchronous Sample Rate Converter Channel 2 Powered Off. Input Asynchronous Sample Rate Converter Channel 2 Powered On.	0x0	R/W
1	ASRCI1_EN	0 1	Input Asynchronous Sample Rate Converter Channel 1 Enable. Input Asynchronous Sample Rate Converter Channel 1 Powered Off. Input Asynchronous Sample Rate Converter Channel 1 Powered On.	0x0	R/W
0	ASRCI0_EN	0 1	Input Asynchronous Sample Rate Converter Channel 0 Enable. Input Asynchronous Sample Rate Converter Channel 0 Powered Off. Input Asynchronous Sample Rate Converter Channel 0 Powered On.	0x0	R/W

INTERPOLATOR POWER CONTROLS REGISTER

Address: 0xC00A, Reset: 0x00, Name: FINT_PWR

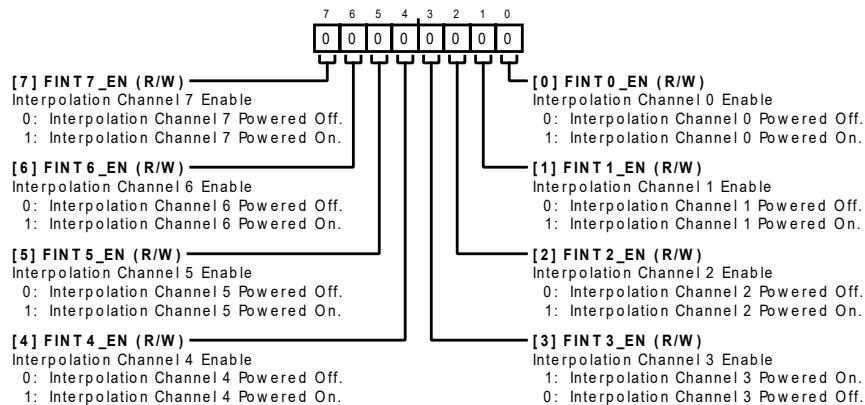


Table 50. Bit Descriptions for FINT_PWR

Bits	Bit Name	Settings	Description	Reset	Access
7	FINT7_EN	0 1	Interpolation Channel 7 Enable. Interpolation Channel 7 Powered Off. Interpolation Channel 7 Powered On.	0x0	R/W
6	FINT6_EN	0 1	Interpolation Channel 6 Enable. Interpolation Channel 6 Powered Off. Interpolation Channel 6 Powered On.	0x0	R/W
5	FINT5_EN	0 1	Interpolation Channel 5 Enable. Interpolation Channel 5 Powered Off. Interpolation Channel 5 Powered On.	0x0	R/W
4	FINT4_EN	0 1	Interpolation Channel 4 Enable. Interpolation Channel 4 Powered Off. Interpolation Channel 4 Powered On.	0x0	R/W

Bits	Bit Name	Settings	Description	Reset	Access
3	FINT3_EN	1 0	Interpolation Channel 3 Enable. Interpolation Channel 3 Powered On. Interpolation Channel 3 Powered Off.	0x0	R/W
2	FINT2_EN	0 1	Interpolation Channel 2 Enable. Interpolation Channel 2 Powered Off. Interpolation Channel 2 Powered On.	0x0	R/W
1	FINT1_EN	0 1	Interpolation Channel 1 Enable. Interpolation Channel 1 Powered Off. Interpolation Channel 1 Powered On.	0x0	R/W
0	FINT0_EN	0 1	Interpolation Channel 0 Enable. Interpolation Channel 0 Powered Off. Interpolation Channel 0 Powered On.	0x0	R/W

DECIMATOR POWER CONTROLS REGISTER

Address: 0xC00B, Reset: 0x00, Name: FDEC_PWR

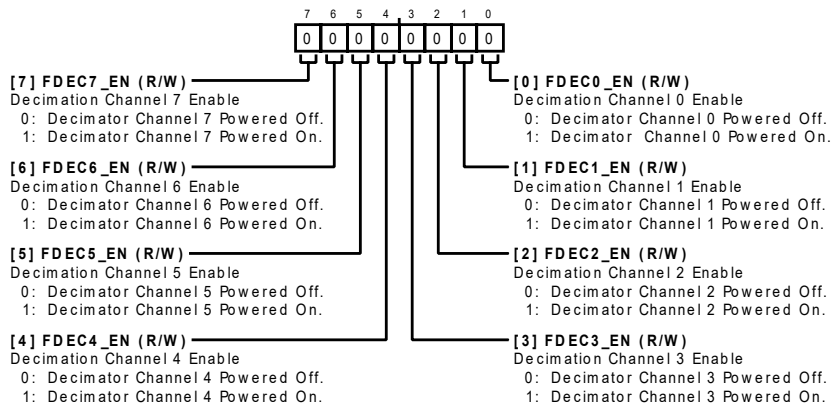


Table 51. Bit Descriptions for FDEC_PWR

Bits	Bit Name	Settings	Description	Reset	Access
7	FDEC7_EN	0 1	Decimation Channel 7 Enable. Decimator Channel 7 Powered Off. Decimator Channel 7 Powered On.	0x0	R/W
6	FDEC6_EN	0 1	Decimation Channel 6 Enable. Decimator Channel 6 Powered Off. Decimator Channel 6 Powered On.	0x0	R/W
5	FDEC5_EN	0 1	Decimation Channel 5 Enable. Decimator Channel 5 Powered Off. Decimator Channel 5 Powered On.	0x0	R/W
4	FDEC4_EN	0 1	Decimation Channel 4 Enable. Decimator Channel 4 Powered Off. Decimator Channel 4 Powered On.	0x0	R/W
3	FDEC3_EN	0 1	Decimation Channel 3 Enable. Decimator Channel 3 Powered Off. Decimator Channel 3 Powered On.	0x0	R/W

Bits	Bit Name	Settings	Description	Reset	Access
2	FDEC2_EN	0 1	Decimation Channel 2 Enable. Decimator Channel 2 Powered Off. Decimator Channel 2 Powered On.	0x0	R/W
1	FDEC1_EN	0 1	Decimation Channel 1 Enable. Decimator Channel 1 Powered Off. Decimator Channel 1 Powered On.	0x0	R/W
0	FDEC0_EN	0 1	Decimation Channel 0 Enable. Decimator Channel 0 Powered Off. Decimator Channel 0 Powered On.	0x0	R/W

STATE RETENTION CONTROLS REGISTER

Address: 0xC00C, Reset: 0x10, Name: KEEPS

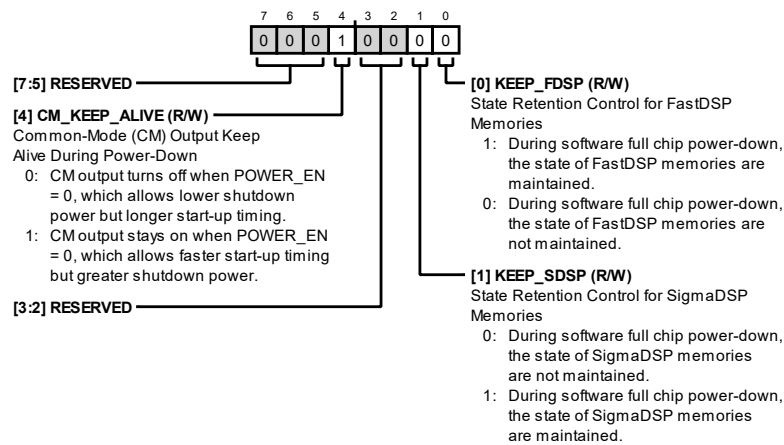


Table 52. Bit Descriptions for KEEPS

Bits	Bit Name	Settings	Description	Reset	Access
[7:5]	RESERVED		Reserved.	0x0	R
4	CM_KEEP_ALIVE	0 1	Common-Mode (CM) Output Keep Alive During Power-Down. CM output turns off when POWER_EN = 0, which allows lower shutdown power but longer start-up timing. CM output stays on when POWER_EN = 0, which allows faster start-up timing but greater shutdown power.	0x1	R/W
[3:2]	RESERVED		Reserved.	0x0	R
1	KEEP_SDSP	0 1	State Retention Control for SigmaDSP Memories. During software full chip power-down, the state of SigmaDSP memories are not maintained. During software full chip power-down, the state of SigmaDSP memories are maintained.	0x0	R/W
0	KEEP_FDSP	1 0	State Retention Control for FastDSP Memories. During software full chip power-down, the state of FastDSP memories are maintained. During software full chip power-down, the state of FastDSP memories are not maintained.	0x0	R/W

CHIP POWER CONTROL REGISTER

Address: 0xC00D, Reset: 0x10, Name: CHIP_PWR

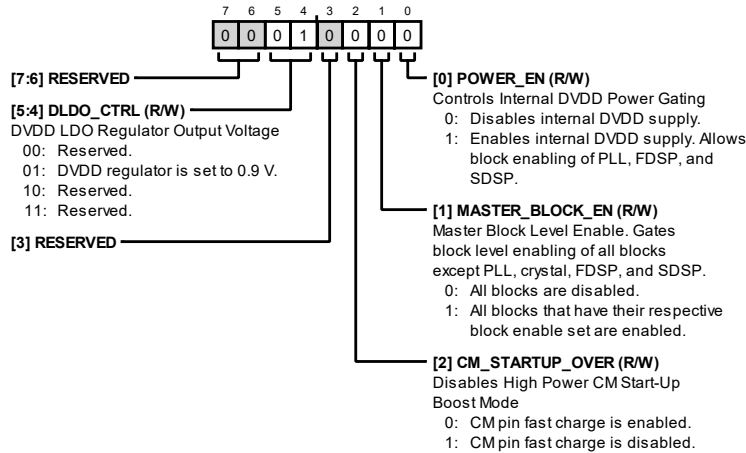


Table 53. Bit Descriptions for CHIP_PWR

Bits	Bit Name	Settings	Description	Reset	Access
[7:6]	RESERVED		Reserved.	0x0	R
[5:4]	DLDO_CTRL	00 01 10 11	DVDD LDO Regulator Output Voltage. Reserved. DVDD regulator is set to 0.9 V. Reserved. Reserved.	0x1	R/W
3	RESERVED		Reserved.	0x0	R
2	CM_STARTUP_OVER	0 1	Disables High Power CM Start-Up Boost Mode. CM pin fast charge is enabled. CM pin fast charge is disabled.	0x0	R/W
1	MASTER_BLOCK_EN	0 1	Master Block Level Enable. Gates block level enabling of all blocks except PLL, crystal, FDSP, and SDSP. All blocks are disabled. All blocks that have their respective block enable set are enabled.	0x0	R/W
0	POWER_EN	0 1	Controls Internal DVDD Power Gating. Disables internal DVDD supply. Enables internal DVDD supply. Allows block enabling of PLL, FDSP, and SDSP.	0x0	R/W

CLOCK CONTROL REGISTER

Address: 0xC00E, Reset: 0xC8, Name: CLK_CTRL1

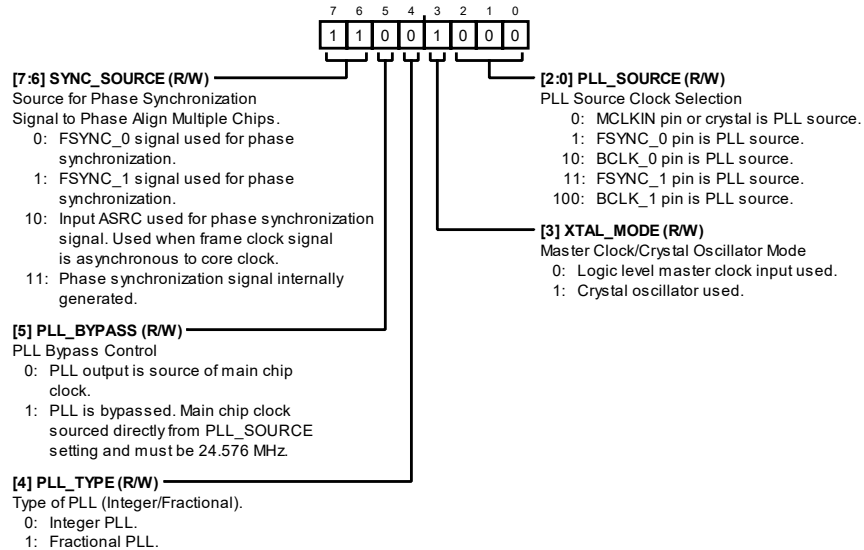


Table 54. Bit Descriptions for CLK_CTRL1

Bits	Bit Name	Settings	Description	Reset	Access
[7:6]	SYNC_SOURCE	0 1 10 11	Source for Phase Synchronization Signal to Phase Align Multiple Chips. FSYNC_0 signal used for phase synchronization. FSYNC_1 signal used for phase synchronization. Input ASRC used for phase synchronization signal. Used when LRCLK signal is async to core clock. Phase synchronization signal internally generated.	0x3	R/W
5	PLL_BYPASS	0 1	PLL Bypass Control. PLL output is source of main chip clock. PLL is bypassed. Main chip clock sourced directly from PLL_SOURCE setting and must be 24.576 MHz.	0x0	R/W
4	PLL_TYPE	0 1	Type of PLL (Integer/Fractional). Integer PLL. Fractional PLL.	0x0	R/W
3	XTAL_MODE	0 1	Master Clock/Crystal Oscillator Mode. Logic level master clock input used. Crystal oscillator used.	0x1	R/W
[2:0]	PLL_SOURCE	0 1 10 11 100	PLL Source Clock Selection. MCLKIN pin or crystal is PLL source. FSYNC_0 pin is PLL source. BCLK_0/SW_CLK pin is PLL source. FSYNC_1 pin is PLL source. BCLK_1 pin is PLL source.	0x0	R/W

PLL INPUT DIVIDER REGISTER

Address: 0xC00F, Reset: 0x00, Name: CLK_CTRL2

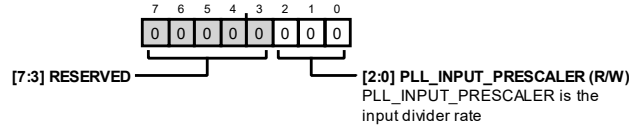


Table 55. Bit Descriptions for CLK_CTRL2

Bits	Bit Name	Settings	Description	Reset	Access
[7:3]	RESERVED		Reserved.	0x0	R
[2:0]	PLL_INPUT_PRESCALER		PLL_INPUT_PRESCALER is the input divider rate.	0x0	R/W

PLL FEEDBACK INTEGER DIVIDER (LSBs REGISTER)

Address: 0xC010, Reset: 0x00, Name: CLK_CTRL3

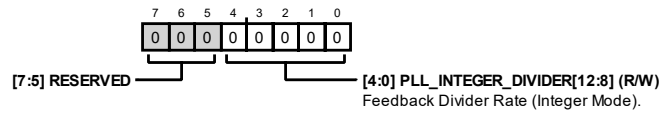


Table 56. Bit Descriptions for CLK_CTRL3

Bits	Bit Name	Settings	Description	Reset	Access
[7:5]	RESERVED		Reserved	0x0	R
[4:0]	PLL_INTEGER_DIVIDER[12:8]		Feedback Divider Rate (Integer Mode)	0x0	R/W

PLL FEEDBACK INTEGER DIVIDER (MSBs REGISTER)

Address: 0xC011, Reset: 0x02, Name: CLK_CTRL4

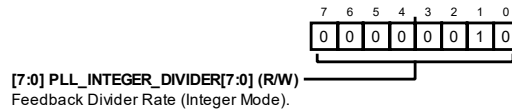


Table 57. Bit Descriptions for CLK_CTRL4

Bits	Bit Name	Settings	Description	Reset	Access
[7:0]	PLL_INTEGER_DIVIDER[7:0]		Feedback Divider Rate (Integer Mode)	0x2	R/W

PLL FRACTIONAL NUMERATOR VALUE (LSBs REGISTER)

Address: 0xC012, Reset: 0x00, Name: CLK_CTRL5

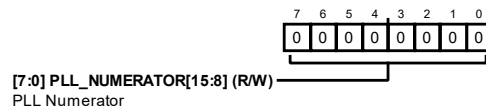


Table 58. Bit Descriptions for CLK_CTRL5

Bits	Bit Name	Settings	Description	Reset	Access
[7:0]	PLL_NUMERATOR[15:8]		PLL Numerator	0x0	R/W

PLL FRACTIONAL NUMERATOR VALUE (MSBs REGISTER)

Address: 0xC013, Reset: 0x00, Name: CLK_CTRL6

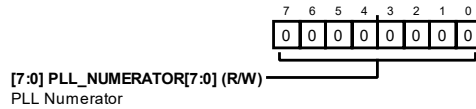


Table 59. Bit Descriptions for CLK_CTRL6

Bits	Bit Name	Settings	Description	Reset	Access
[7:0]	PLL_NUMERATOR[7:0]		PLL Numerator	0x0	R/W

PLL FRACTIONAL DENOMINATOR (LSBs REGISTER)

Address: 0xC014, Reset: 0x00, Name: CLK_CTRL7

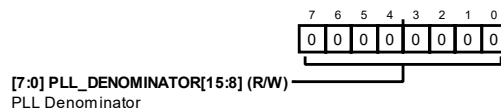


Table 60. Bit Descriptions for CLK_CTRL7

Bits	Bit Name	Settings	Description	Reset	Access
[7:0]	PLL_DENOMINATOR[15:8]		PLL Denominator	0x0	R/W

PLL FRACTIONAL DENOMINATOR (MSBs REGISTER)

Address: 0xC015, Reset: 0x00, Name: CLK_CTRL8

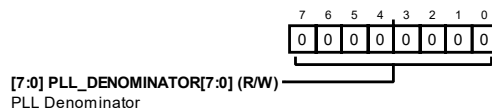


Table 61. Bit Descriptions for CLK_CTRL8

Bits	Bit Name	Settings	Description	Reset	Access
[7:0]	PLL_DENOMINATOR[7:0]		PLL Denominator	0x0	R/W

PLL UPDATE REGISTER

Address: 0xC016, Reset: 0x00, Name: CLK_CTRL9

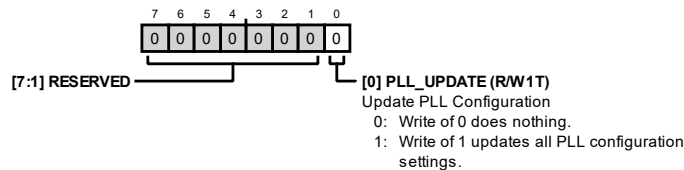


Table 62. Bit Descriptions for CLK_CTRL9

Bits	Bit Name	Settings	Description	Reset	Access
[7:1]	RESERVED		Reserved.	0x0	R
0	PLL_UPDATE	0 1	Update PLL Configuration. Write of 0 does nothing. Write of 1 updates all PLL configuration settings.	0x0	R/W1T

ADC SAMPLE RATE CONTROL REGISTER

Address: 0xC017, Reset: 0x22, Name: ADC_CTRL1

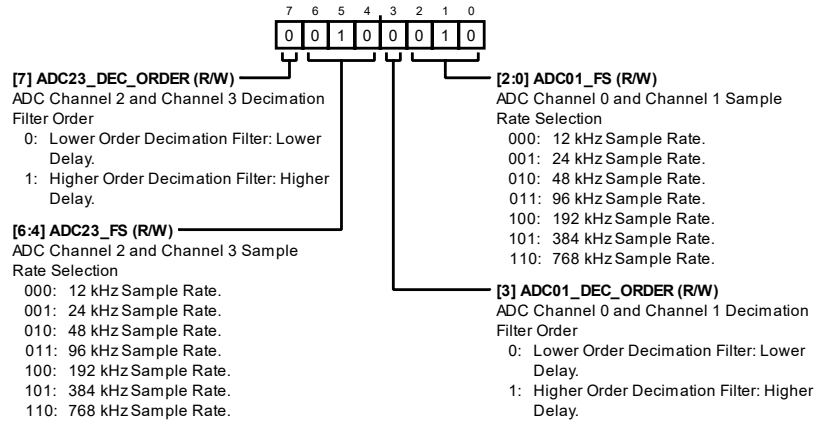


Table 63. Bit Descriptions for ADC_CTRL1

Bits	Bit Name	Settings	Description	Reset	Access
7	ADC23_DEC_ORDER	0 1	ADC Channel 2 and Channel 3 Decimation Filter Order. Lower Order Decimation Filter: Lower Delay. Higher Order Decimation Filter: Higher Delay.	0x0	R/W
[6:4]	ADC23_FS	000 001 010 011 100 101 110	ADC Channel 2 and Channel 3 Sample Rate Selection. 12 kHz Sample Rate. 24 kHz Sample Rate. 48 kHz Sample Rate. 96 kHz Sample Rate. 192 kHz Sample Rate. 384 kHz Sample Rate. 768 kHz Sample Rate.	0x2	R/W
3	ADC01_DEC_ORDER	0 1	ADC Channel 0 and Channel 1 Decimation Filter Order. Lower Order Decimation Filter: Lower Delay. Higher Order Decimation Filter: Higher Delay.	0x0	R/W
[2:0]	ADC01_FS	000 001 010 011 100 101 110	ADC Channel 0 and Channel 1 Sample Rate Selection. 12 kHz Sample Rate. 24 kHz Sample Rate. 48 kHz Sample Rate. 96 kHz Sample Rate. 192 kHz Sample Rate. 384 kHz Sample Rate. 768 kHz Sample Rate.	0x2	R/W

ADC I_{BIAS} CONTROLS REGISTER

Address: 0xC018, Reset: 0x00, Name: ADC_CTRL2

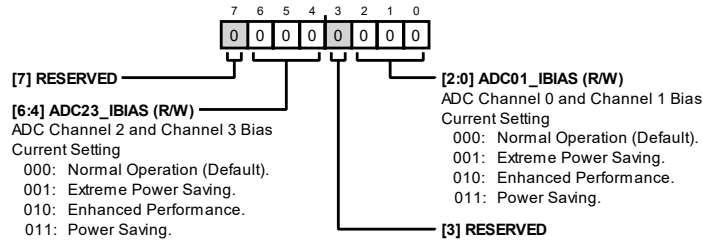


Table 64. Bit Descriptions for ADC_CTRL2

Bits	Bit Name	Settings	Description	Reset	Access
7	RESERVED		Reserved.	0x0	R
[6:4]	ADC23_IBIAS	000 001 010 011	ADC Channel 2 and Channel 3 Bias Current Setting. Higher bias currents result in higher performance. Normal Operation (Default). Extreme Power Saving. Enhanced Performance. Power Saving.	0x0	R/W
3	RESERVED		Reserved.	0x0	R
[2:0]	ADC01_IBIAS	000 001 010 011	ADC Channel 0 and Channel 1 Bias Current Setting. Higher bias currents result in higher performance. Normal Operation (Default). Extreme Power Saving. Enhanced Performance. Power Saving.	0x0	R/W

ADC HPF CONTROL REGISTER

Address: 0xC019, Reset: 0x00, Name: ADC_CTRL3

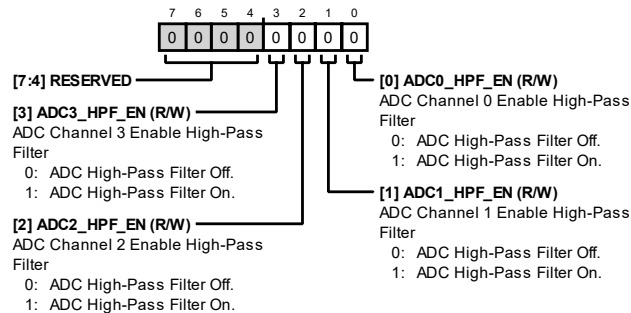


Table 65. Bit Descriptions for ADC_CTRL3

Bits	Bit Name	Settings	Description	Reset	Access
[7:4]	RESERVED		Reserved.	0x0	R
3	ADC3_HPF_EN	0 1	ADC Channel 3 Enable High-Pass Filter. ADC High-Pass Filter Off. ADC High-Pass Filter On.	0x0	R/W
2	ADC2_HPF_EN	0 1	ADC Channel 2 Enable High-Pass Filter. ADC High-Pass Filter Off. ADC High-Pass Filter On.	0x0	R/W

Bits	Bit Name	Settings	Description	Reset	Access
1	ADC1_HP_FEN	0 1	ADC Channel 1 Enable High-Pass Filter. ADC High-Pass Filter Off. ADC High-Pass Filter On.	0x0	R/W
0	ADC0_HP_FEN	0 1	ADC Channel 0 Enable High-Pass Filter. ADC High-Pass Filter Off. ADC High-Pass Filter On.	0x0	R/W

ADC MUTE AND COMPENSATION CONTROL REGISTER

Address: 0xC01A, Reset: 0x40, Name: ADC_CTRL4

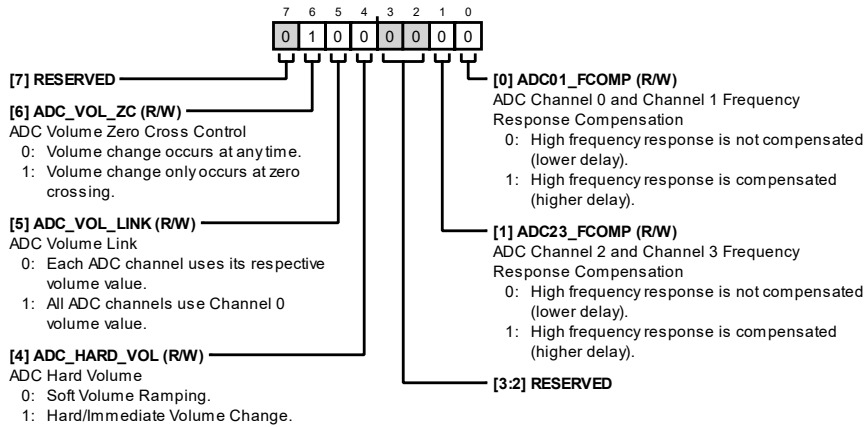


Table 66. Bit Descriptions for ADC_CTRL4

Bits	Bit Name	Settings	Description	Reset	Access
7	RESERVED		Reserved.	0x0	R
6	ADC_VOL_ZC	0 1	ADC Volume Zero Cross Control. Volume change occurs at any time. Volume change only occurs at zero crossing.	0x1	R/W
5	ADC_VOL_LINK	0 1	ADC Volume Link. Each ADC channel uses its respective volume value. All ADC channels use Channel 0 volume value.	0x0	R/W
4	ADC_HARD_VOL	0 1	ADC Hard Volume. Soft Volume Ramping. Hard/Immediate Volume Change.	0x0	R/W
[3:2]	RESERVED		Reserved.	0x0	R
1	ADC23_FCOMP	0 1	ADC Channel 2 and Channel 3 Frequency Response Compensation. High frequency response not compensated (lower delay). High frequency response compensated (higher delay).	0x0	R/W
0	ADC01_FCOMP	0 1	ADC Channel 0 and Channel 1 Frequency Response Compensation. High frequency response not compensated (lower delay). High frequency response compensated (higher delay).	0x0	R/W

ANALOG INPUT PRECHARGE TIME REGISTER

Address: 0xC01B, Reset: 0x26, Name: ADC_CTRL5

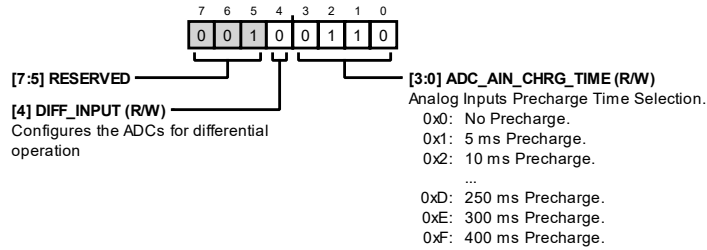


Table 67. Bit Descriptions for ADC_CTRL5

Bits	Bit Name	Settings	Description	Reset	Access
[7:5]	RESERVED		Reserved.	0x1	R
4	DIFF_INPUT		Configures the ADCs for differential operation.	0x0	R/W
[3:0]	ADC_AIN_CHRG_TIME		Analog Inputs Precharge Time Selection. These bits control the amount of time the precharge circuit is used to charge up the coupling capacitors. The time used depends on the value of the capacitor used and the required start-up time of the ADC.	0x6	R/W
		0x0	No Precharge.		
		0x1	5 ms Precharge.		
		0x2	10 ms Precharge.		
		0x3	20 ms Precharge.		
		0x4	30 ms Precharge.		
		0x5	40 ms Precharge.		
		0x6	50 ms Precharge.		
		0x7	60 ms Precharge.		
		0x8	80 ms Precharge.		
		0x9	100 ms Precharge.		
		0xA	125 ms Precharge.		
		0xB	150 ms Precharge.		
		0xC	200 ms Precharge.		
		0xD	250 ms Precharge.		
		0xE	300 ms Precharge.		
		0xF	400 ms Precharge.		

ADC CHANNEL MUTES REGISTER

Address: 0xC01C, Reset: 0x00, Name: ADC_MUTES

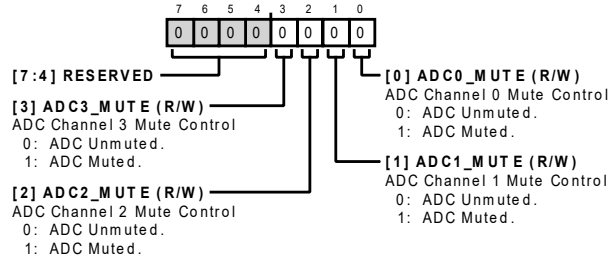


Table 68. Bit Descriptions for ADC_MUTES

Bits	Bit Name	Settings	Description	Reset	Access
[7:4]	RESERVED		Reserved.	0x0	R
3	ADC3_MUTE	0 1	ADC Channel 3 Mute Control. ADC Unmuted. ADC Muted.	0x0	R/W
2	ADC2_MUTE	0 1	ADC Channel 2 Mute Control. ADC Unmuted. ADC Muted.	0x0	R/W
1	ADC1_MUTE	0 1	ADC Channel 1 Mute Control. ADC Unmuted. ADC Muted.	0x0	R/W
0	ADC0_MUTE	0 1	ADC Channel 0 Mute Control. ADC Unmuted. ADC Muted.	0x0	R/W

ADC CHANNEL 0 VOLUME CONTROL REGISTER

Address: 0xC01D, Reset: 0x40, Name: ADC0_VOL

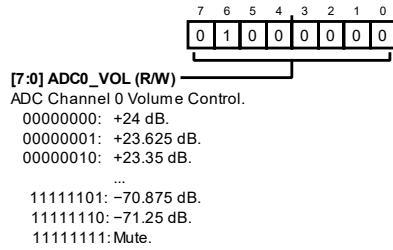
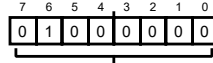


Table 69. Bit Descriptions for ADC0_VOL

Bits	Bit Name	Settings	Description	Reset	Access
[7:0]	ADC0_VOL		ADC Channel 0 Volume Control.	0x40	R/W
		00000000	+24 dB.		
		00000001	+23.625 dB.		
		00000010	+23.35 dB.		
		00000011	+22.875 dB.		
		00000100	+22.5 dB.		
			
		00111111	+0.375 dB.		
		01000000	0 dB.		
		01000001	-0.375 dB.		
			
		11111101	-70.875 dB.		
		11111110	-71.25 dB.		
		11111111	Mute.		

ADC CHANNEL 1 VOLUME CONTROL REGISTER

Address: 0xC01E, Reset: 0x40, Name: ADC1_VOL



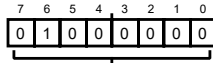
[7:0] ADC1_VOL (R/W)
 ADC Channel 1 Volume Control
 00000000: +24 dB.
 00000001: +23.625 dB.
 00000010: +23.35 dB.
 ...
 11111101: -70.875 dB.
 11111110: -71.25 dB.
 11111111: Mute.

Table 70. Bit Descriptions for ADC1_VOL

Bits	Bit Name	Settings	Description	Reset	Access
[7:0]	ADC1_VOL		ADC Channel 1 Volume Control.	0x40	R/W
		00000000	+24 dB.		
		00000001	+23.625 dB.		
		00000010	+23.35 dB.		
		00000011	+22.875 dB.		
		00000100	+22.5 dB.		
			
		00111111	+0.375 dB.		
		01000000	0 dB.		
		01000001	-0.375 dB.		
			
		11111101	-70.875 dB.		
		11111110	-71.25 dB.		
		11111111	Mute.		

ADC CHANNEL 2 VOLUME CONTROL REGISTER

Address: 0xC01F, Reset: 0x40, Name: ADC2_VOL



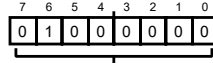
[7:0] ADC2_VOL (R/W)
 ADC Channel 2 Volume Control
 00000000: +24 dB.
 00000001: +23.625 dB.
 00000010: +23.35 dB.
 ...
 11111101: -70.875 dB.
 11111110: -71.25 dB.
 11111111: Mute.

Table 71. Bit Descriptions for ADC2_VOL

Bits	Bit Name	Settings	Description	Reset	Access
[7:0]	ADC2_VOL		ADC Channel 2 Volume Control.	0x40	R/W
		00000000	+24 dB.		
		00000001	+23.625 dB.		
		00000010	+23.35 dB.		
		00000011	+22.875 dB.		
		00000100	+22.5 dB.		
			
		00111111	+0.375 dB.		
		01000000	0 dB.		
		01000001	-0.375 dB.		
			
		11111101	-70.875 dB.		
		11111110	-71.25 dB.		
		11111111	Mute.		

ADC CHANNEL 3 VOLUME CONTROL REGISTER

Address: 0xC020, Reset: 0x40, Name: ADC3_VOL



[7:0] ADC3_VOL (R/W)
 ADC Channel 3 Volume Control
 00000000: +24 dB.
 00000001: +23.625 dB.
 00000010: +23.35 dB.
 ...
 11111101: -70.875 dB.
 11111110: -71.25 dB.
 11111111: Mute.

Table 72. Bit Descriptions for ADC3_VOL

Bits	Bit Name	Settings	Description	Reset	Access
[7:0]	ADC3_VOL		ADC Channel 3 Volume Control.	0x40	R/W
		00000000	+24 dB.		
		00000001	+23.625 dB.		
		00000010	+23.35 dB.		
		00000011	+22.875 dB.		
		00000100	+22.5 dB.		
			
		00111111	+0.375 dB.		
		01000000	0 dB.		
		01000001	-0.375 dB.		
			
		11111101	-70.875 dB.		
		11111110	-71.25 dB.		
		11111111	Mute.		

PGA CHANNEL 0 GAIN CONTROL MSBs, MUTE, BOOST, SLEW REGISTER

Address: 0xC021, Reset: 0x00, Name: PGA0_CTRL1

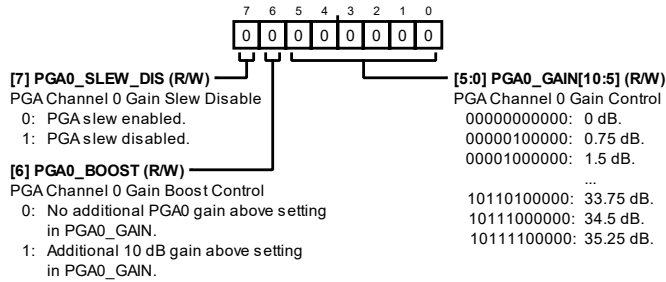


Table 73. Bit Descriptions for PGA0_CTRL1

Bits	Bit Name	Settings	Description	Reset	Access
7	PGA0_SLEW_DIS		PGA Channel 0 Gain Slew Disable. 0 PGA slew enabled. 1 PGA slew disabled.	0x0	R/W
6	PGA0_BOOST		PGA Channel 0 Gain Boost Control. 0 No additional PGA0 gain above setting in PGA0_GAIN. 1 Additional 10 dB gain above setting in in PGA0_GAIN.	0x0	R/W
[5:0]	PGA0_GAIN[10:5]		PGA Channel 0 Gain Control. 0000000000 0 dB. 0000010000 0.75 dB. 0000100000 1.5 dB ... 1011010000 33.75 dB. 1011100000 34.5 dB. 1011110000 35.25 dB.	0x0	R/W

PGA CHANNEL 0 GAIN CONTROL LSBs REGISTER

Address: 0xC022, Reset: 0x00, Name: PGA0_CTRL2

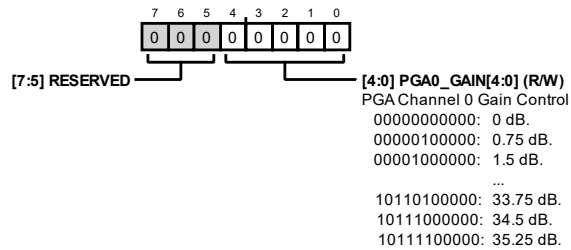


Table 74. Bit Descriptions for PGA0_CTRL2

Bits	Bit Name	Settings	Description	Reset	Access
[7:5]	RESERVED		Reserved.	0x0	R
[4:0]	PGA0_GAIN[4:0]		PGA Channel 0 Gain Control. 0000000000 0 dB. 0000010000 0.75 dB. 0000100000 1.5 dB. ... 1011010000 34.5 dB 1011100000 34.5 dB. 1011110000 35.25 dB.	0x0	R/W

PGA CHANNEL 1 GAIN CONTROL MSBs, MUTE, BOOST, SLEW REGISTER

Address: 0xC023, Reset: 0x00, Name: PGA1_CTRL1

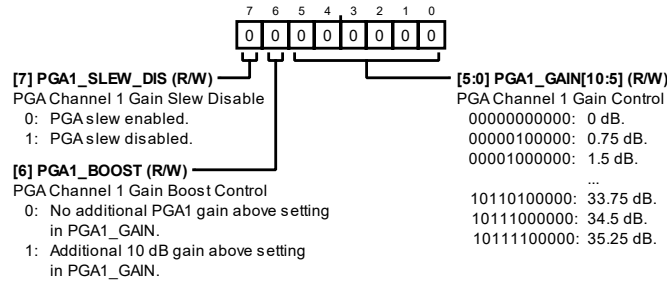


Table 75. Bit Descriptions for PGA1_CTRL1

Bits	Bit Name	Settings	Description	Reset	Access
7	PGA1_SLEW_DIS		PGA Channel 1 Gain Slew Disable. 0 PGA slew enabled. 1 PGA slew disabled.	0x0	R/W
6	PGA1_BOOST		PGA Channel 1 Gain Boost Control. 0 No additional PGA1 gain above setting in PGA1_GAIN. 1 Additional 10 dB gain above setting in in PGA1_GAIN.	0x0	R/W
[5:0]	PGA1_GAIN[10:5]		PGA Channel 1 Gain Control. 0000000000 0 dB. 0000010000 0.75 dB. 0000100000 1.5 dB. ... 1011010000 33.75 dB. 1011100000 34.5 dB 1011110000 35.25 dB.	0x0	R/W

PGA CHANNEL 1 GAIN CONTROL LSBs REGISTER

Address: 0xC024, Reset: 0x00, Name: PGA1_CTRL2

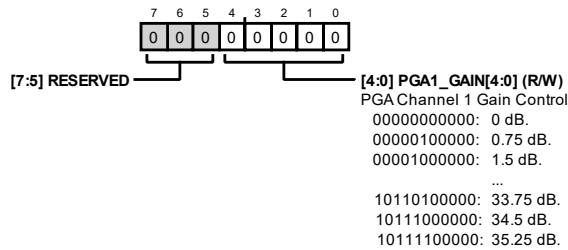


Table 76. Bit Descriptions for PGA1_CTRL2

Bits	Bit Name	Settings	Description	Reset	Access
[7:5]	RESERVED		Reserved.	0x0	R
[4:0]	PGA1_GAIN[4:0]		PGA Channel 1 Gain Control. 0000000000 0 dB. 0000010000 0.75 dB. 0000100000 1.5 dB. ... 1011010000 33.75 dB. 1011100000 34.5 dB. 1011110000 35.25 dB.	0x0	R/W

PGA CHANNEL 2 GAIN CONTROL MSBs, MUTE, BOOST, SLEW REGISTER

Address: 0xC025, Reset: 0x00, Name: PGA2_CTRL1

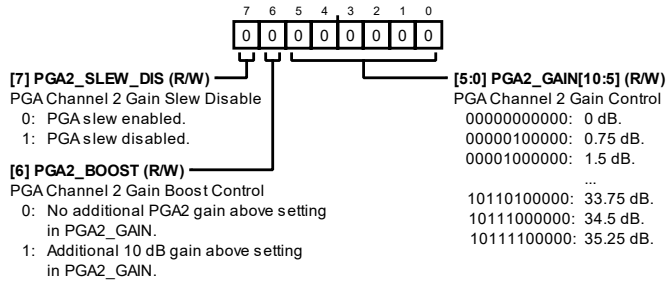


Table 77. Bit Descriptions for PGA2_CTRL1

Bits	Bit Name	Settings	Description	Reset	Access
7	PGA2_SLEW_DIS		PGA Channel 2 Gain Slew Disable. 0 PGA slew enabled. 1 PGA slew disabled.	0x0	R/W
6	PGA2_BOOST		PGA Channel 2 Gain Boost Control. 0 No additional PGA2 gain above setting in PGA2_GAIN. 1 Additional 10 dB gain above setting in PGA2_GAIN.	0x0	R/W
[5:0]	PGA2_GAIN[10:5]		PGA Channel 2 Gain Control. 0000000000 0 dB. 0000010000 0.75 dB. 0000100000 1.5 dB. ... 1011010000 33.75 dB. 1011100000 34.5 dB. 1011110000 35.25 dB.	0x0	R/W

PGA CHANNEL 2 GAIN CONTROL LSBs REGISTER

Address: 0xC026, Reset: 0x00, Name: PGA2_CTRL2

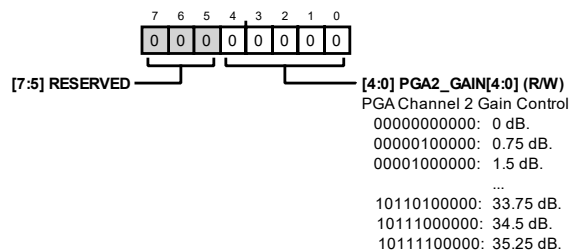


Table 78. Bit Descriptions for PGA2_CTRL2

Bits	Bit Name	Settings	Description	Reset	Access
[7:5]	RESERVED		Reserved.	0x0	R
[4:0]	PGA2_GAIN[4:0]		PGA Channel 2 Gain Control. 0000000000 0 dB. 0000010000 0.75 dB. 0000100000 1.5 dB. ... 1011010000 33.75 dB. 1011100000 34.5 dB. 1011110000 35.25 dB.	0x0	R/W

PGA CHANNEL 3 GAIN CONTROL MSBs, MUTE, BOOST, SLEW REGISTER

Address: 0xC027, Reset: 0x00, Name: PGA3_CTRL1

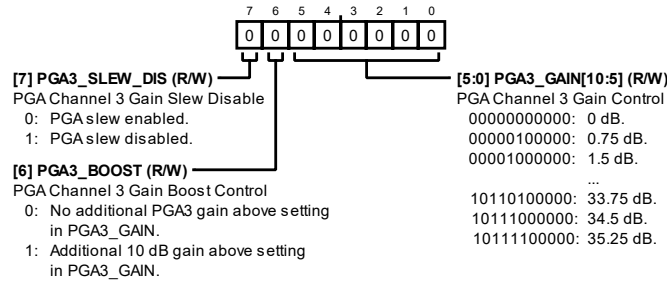


Table 79. Bit Descriptions for PGA3_CTRL1

Bits	Bit Name	Settings	Description	Reset	Access
7	PGA3_SLEW_DIS		PGA Channel 3 Gain Slew Disable. 0 PGA slew enabled. 1 PGA slew disabled.	0x0	R/W
6	PGA3_BOOST		PGA Channel 3 Gain Boost Control. 0 No additional PGA3 gain above setting in PGA3_GAIN. 1 Additional 10 dB gain above setting in PGA3_GAIN.	0x0	R/W
[5:0]	PGA3_GAIN[10:5]		PGA Channel 3 Gain Control 0000000000 0 dB. 0000010000 0.75 dB. 0000100000 1.5 dB. ... 1011010000 33.75 dB. 1011100000 34.5 dB. 1011110000 35.25 dB.	0x0	R/W

PGA CHANNEL 3 GAIN CONTROL LSBs REGISTER

Address: 0xC028, Reset: 0x00, Name: PGA3_CTRL2

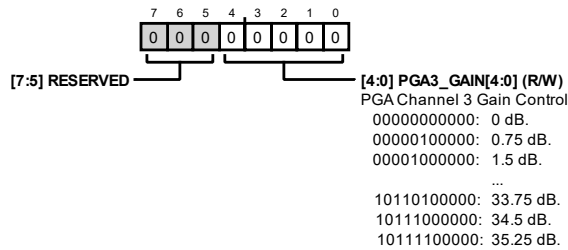


Table 80. Bit Descriptions for PGA3_CTRL2

Bits	Bit Name	Settings	Description	Reset	Access
[7:5]	RESERVED		Reserved.	0x0	R
[4:0]	PGA3_GAIN[4:0]		PGA Channel 3 Gain Control. 0000000000 0 dB. 0000010000 0.75 dB. 0000100000 1.5 dB. ... 1011010000 33.75 dB. 1011100000 34.5 dB. 1011110000 35.25 dB.	0x0	R/W

PGA SLEW RATE AND GAIN LINK REGISTER

Address: 0xC029, Reset: 0x00, Name: PGA_CTRL

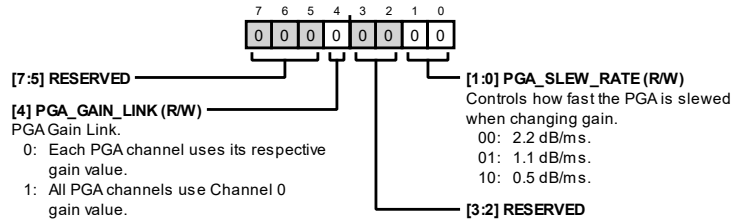


Table 81. Bit Descriptions for PGA_CTRL

Bits	Bit Name	Settings	Description	Reset	Access
[7:5]	RESERVED		Reserved.	0x0	R
4	PGA_GAIN_LINK	0 1	PGA Gain Link. 0: Each PGA channel uses its respective gain value. 1: All PGA channels use Channel 0 gain value.	0x0	R/W
[3:2]	RESERVED		Reserved.	0x0	R
[1:0]	PGA_SLEW_RATE	00 01 10	Controls how fast the PGA is slewed when changing gain. 00: 2.2 dB/ms. 01: 1.1 dB/ms. 10: 0.5 dB/ms.	0x0	R/W

MICROPHONE BIAS LEVEL AND CURRENT REGISTER

Address: 0xC02A, Reset: 0x00, Name: MBIAS_CTRL

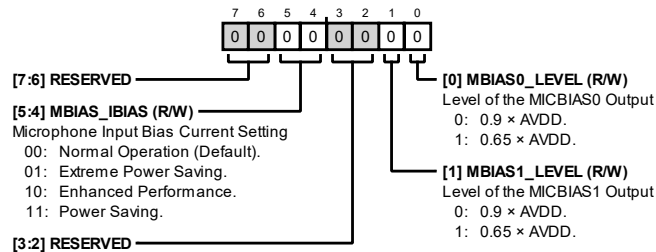


Table 82. Bit Descriptions for MBIAS_CTRL

Bits	Bit Name	Settings	Description	Reset	Access
[7:6]	RESERVED		Reserved.	0x0	R
[5:4]	MBIAS_IBIAS	00 01 10 11	Microphone Input Bias Current Setting. Higher bias currents result in higher performance. 00: Normal Operation (Default). 01: Extreme Power Saving. 10: Enhanced Performance. 11: Power Saving.	0x0	R/W
[3:2]	RESERVED		Reserved.	0x0	R
1	MBIAS1_LEVEL	0 1	Level of the MICBIAS1 Output. 0: 0.9 × AVDD. 1: 0.65 × AVDD.	0x0	R/W
0	MBIAS0_LEVEL	0 1	Level of the MICBIAS0 Output. 0: 0.9 × AVDD. 1: 0.65 × AVDD.	0x0	R/W

DIGITAL MICROPHONE CLOCK RATE CONTROL REGISTER

Address: 0xC02B, Reset: 0x33, Name: DMIC_CTRL1

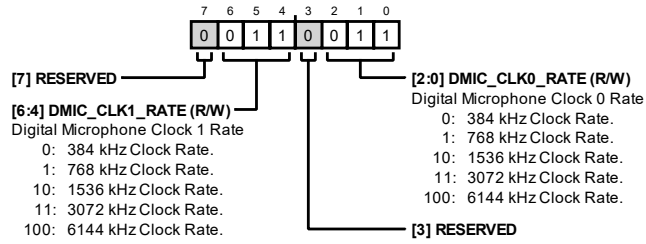


Table 83. Bit Descriptions for DMIC_CTRL1

Bits	Bit Name	Settings	Description	Reset	Access
7	RESERVED		Reserved.	0x0	R
[6:4]	DMIC_CLK1_RATE	0 1 10 11 100	Digital Microphone Clock 1 Rate. 384 kHz Clock Rate. 768 kHz Clock Rate. 1536 kHz Clock Rate. 3072 kHz Clock Rate. 6144 kHz Clock Rate.	0x3	R/W
3	RESERVED		Reserved.	0x0	R
[2:0]	DMIC_CLK0_RATE	0 1 10 11 100	Digital Microphone Clock 0 Rate. 384 kHz Clock Rate. 768 kHz Clock Rate. 1536 kHz Clock Rate. 3072 kHz Clock Rate. 6144 kHz Clock Rate.	0x3	R/W

DIGITAL MICROPHONE CHANNEL 0 AND CHANNEL 1 RATE, ORDER, MAPPING, AND EDGE CONTROL REGISTER

Address: 0xC02C, Reset: 0x01, Name: DMIC_CTRL2

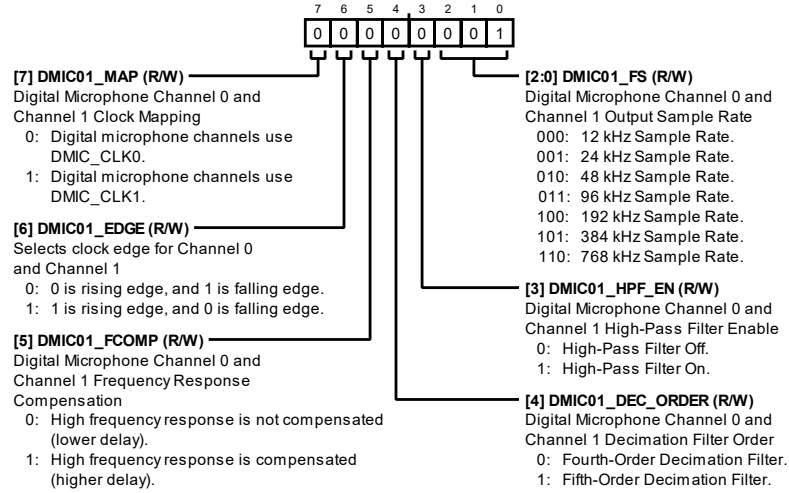


Table 84. Bit Descriptions for DMIC_CTRL2

Bits	Bit Name	Settings	Description	Reset	Access
7	DMIC01_MAP	0 1	Digital Microphone Channel 0 and Channel 1 Clock Mapping. 0: Digital microphone channels use DMIC_CLK0. 1: Digital microphone channels use DMIC_CLK1.	0x0	R/W
6	DMIC01_EDGE	0 1	Selects clock edge for Channel 0 and Channel 1. 0: 0 is rising edge, and 1 is falling edge. 1: 1 is rising edge, and 0 is falling edge.	0x0	R/W
5	DMIC01_FCOMP	0 1	Digital Microphone Channel 0 and Channel 1 Frequency Response Compensation. 0: High frequency response is not compensated (lower delay). 1: High frequency response is compensated (higher delay).	0x0	R/W
4	DMIC01_DEC_ORDER	0 1	Digital Microphone Channel 0 and Channel 1 Decimation Filter Order. 0: Fourth-Order Decimation Filter. 1: Fifth-Order Decimation Filter.	0x0	R/W
3	DMIC01_HPF_EN	0 1	Digital Microphone Channel 0 and Channel 1 High-Pass Filter Enable. 0: High-Pass Filter Off. 1: High-Pass Filter On.	0x0	R/W
[2:0]	DMIC01_FS	000 001 010 011 100 101 110	Digital Microphone Channel 0 and Channel 1 Output Sample Rate. 000: 12 kHz Sample Rate. 001: 24 kHz Sample Rate. 010: 48 kHz Sample Rate. 011: 96 kHz Sample Rate. 100: 192 kHz Sample Rate. 101: 384 kHz Sample Rate. 110: 768 kHz Sample Rate.	0x1	R/W

DIGITAL MICROPHONE CHANNEL 2 AND CHANNEL 3 RATE, ORDER, MAPPING, AND EDGE CONTROL REGISTER

Address: 0xC02D, Reset: 0x01, Name: DMIC_CTRL3

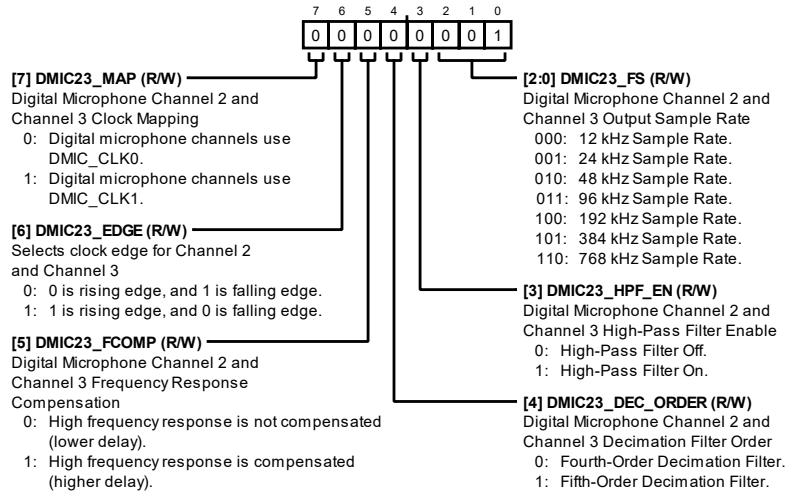


Table 85. Bit Descriptions for DMIC_CTRL3

Bits	Bit Name	Settings	Description	Reset	Access
7	DMIC23_MAP	0 1	Digital Microphone Channel 2 and Channel 3 Clock Mapping. Digital microphone channels use DMIC_CLK0. Digital microphone channels use DMIC_CLK1.	0x0	R/W
6	DMIC23_EDGE	0 1	Selects clock edge for Channel 2 and Channel 3. 0 is rising edge, and 1 is falling edge. 1 is rising edge, and 0 is falling edge.	0x0	R/W
5	DMIC23_FCOMP	0 1	Digital Microphone Channel 2 and Channel 3 Frequency Response Compensation. High frequency response is not compensated (lower delay). High frequency response is compensated (higher delay).	0x0	R/W
4	DMIC23_DEC_ORDER	0 1	Digital Microphone Channel 2 and Channel 3 Decimation Filter Order. Fourth-Order Decimation Filter. Fifth-Order Decimation Filter.	0x0	R/W
3	DMIC23_HPF_EN	0 1	Digital Microphone Channel 2 and Channel 3 High-Pass Filter Enable. High-Pass Filter Off. High-Pass Filter On.	0x0	R/W
[2:0]	DMIC23_FS	000 001 010 011 100 101 110	Digital Microphone Channel 2 and Channel 3 Output Sample Rate. 12 kHz Sample Rate. 24 kHz Sample Rate. 48 kHz Sample Rate. 96 kHz Sample Rate. 192 kHz Sample Rate. 384 kHz Sample Rate. 768 kHz Sample Rate.	0x1	R/W

DIGITAL MICROPHONE CHANNEL 4 AND CHANNEL 5 RATE, ORDER, MAPPING, AND EDGE CONTROL REGISTER

Address: 0xC02E, Reset: 0x01, Name: DMIC_CTRL4

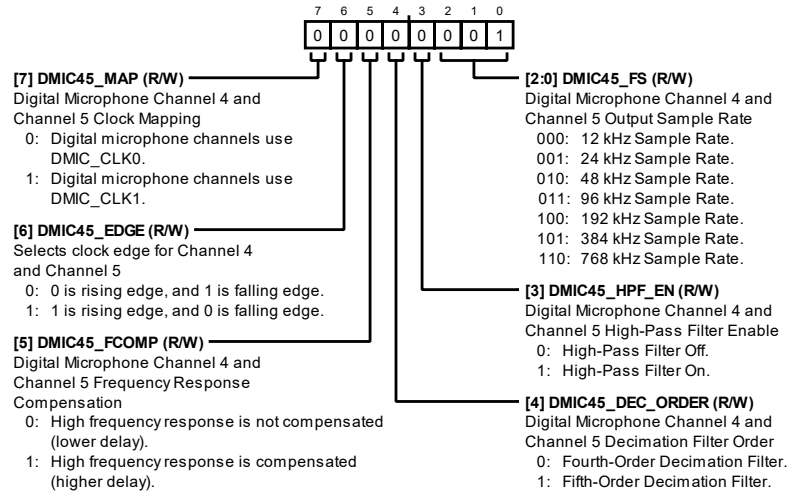


Table 86. Bit Descriptions for DMIC_CTRL4

Bits	Bit Name	Settings	Description	Reset	Access
7	DMIC45_MAP	0 1	Digital Microphone Channel 4 and Channel 5 Clock Mapping. 0: Digital microphone channels use DMIC_CLK0. 1: Digital microphone channels use DMIC_CLK1.	0x0	R/W
6	DMIC45_EDGE	0 1	Selects clock edge for Channel 4 and Channel 5. 0: 0 is rising edge, and 1 is falling edge. 1: 1 is rising edge, and 0 is falling edge.	0x0	R/W
5	DMIC45_FCOMP	0 1	Digital Microphone Channel 4 and Channel 5 Frequency Response Compensation. 0: High frequency response is not compensated (lower delay). 1: High frequency response is compensated (higher delay).	0x0	R/W
4	DMIC45_DEC_ORDER	0 1	Digital Microphone Channel 4 and Channel 5 Decimation Filter Order. 0: Fourth-Order Decimation Filter. 1: Fifth-Order Decimation Filter.	0x0	R/W
3	DMIC45_HPF_EN	0 1	Digital Microphone Channel 4 and Channel 5 High-Pass Filter Enable. 0: High-Pass Filter Off. 1: High-Pass Filter On.	0x0	R/W
[2:0]	DMIC45_FS	000 001 010 011 100 101 110	Digital Microphone Channel 4 and Channel 5 Output Sample Rate. 000: 12 kHz Sample Rate. 001: 24 kHz Sample Rate. 010: 48 kHz Sample Rate. 011: 96 kHz Sample Rate. 100: 192 kHz Sample Rate. 101: 384 kHz Sample Rate. 110: 768 kHz Sample Rate.	0x1	R/W

DIGITAL MICROPHONE CHANNEL 6 AND CHANNEL 7 RATE, ORDER, MAPPING, AND EDGE CONTROL REGISTER

Address: 0xC02F, Reset: 0x01, Name: DMIC_CTRL5

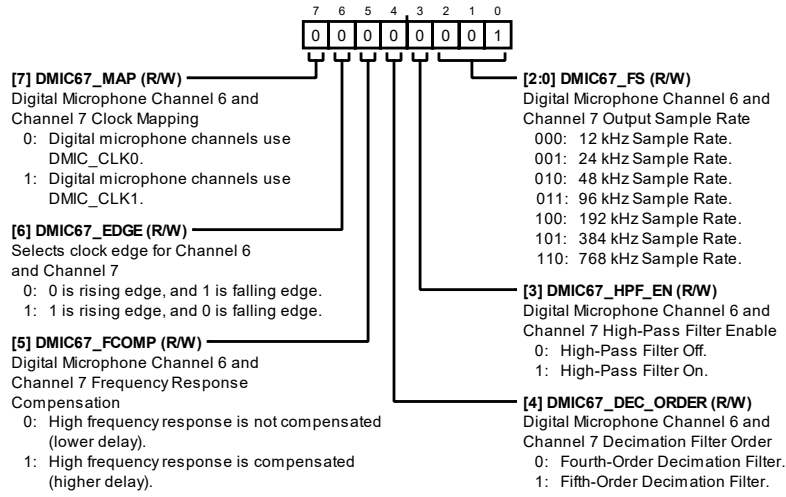
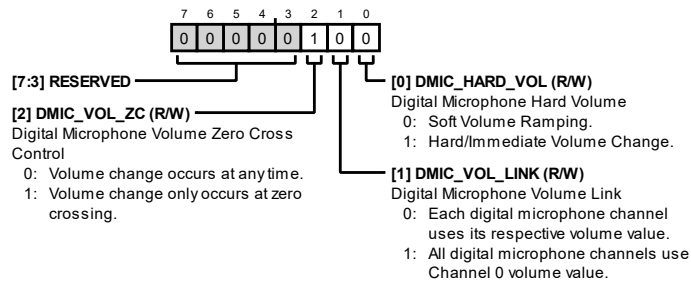


Table 87. Bit Descriptions for DMIC_CTRL5

Bits	Bit Name	Settings	Description	Reset	Access
7	DMIC67_MAP	0 1	Digital Microphone Channel 6 and Channel 7 Clock Mapping. Digital microphone channels use DMIC_CLK0. Digital microphone channels use DMIC_CLK1.	0x0	R/W
6	DMIC67_EDGE	0 1	Selects clock edge for Channel 6 and Channel 7. 0 is rising edge, and 1 is falling edge. 1 is rising edge, and 0 is falling edge.	0x0	R/W
5	DMIC67_FCOMP	0 1	Digital Microphone Channel 6 and Channel 7 Frequency Response Compensation. High frequency response is not compensated (lower delay). High frequency response is compensated (higher delay).	0x0	R/W
4	DMIC67_DEC_ORDER	0 1	Digital Microphone Channel 6 and Channel 7 Decimation Filter Order. Fourth-Order Decimation Filter. Fifth-Order Decimation Filter.	0x0	R/W
3	DMIC67_HPF_EN	0 1	Digital Microphone Channel 6 and Channel 7 High-Pass Filter Enable. High-Pass Filter Off. High-Pass Filter On.	0x0	R/W
[2:0]	DMIC67_FS	000 001 010 011 100 101 110	Digital Microphone Channel 6 and Channel 7 Output Sample Rate. 12 kHz Sample Rate. 24 kHz Sample Rate. 48 kHz Sample Rate. 96 kHz Sample Rate. 192 kHz Sample Rate. 384 kHz Sample Rate. 768 kHz Sample Rate.	0x1	R/W

DIGITAL MICROPHONE VOLUME OPTIONS REGISTER

Address: 0xC030, Reset: 0x04, Name: DMIC_CTRL6

**Table 88. Bit Descriptions for DMIC_CTRL6**

Bits	Bit Name	Settings	Description	Reset	Access
[7:3]	RESERVED		Reserved.	0x0	R
2	DMIC_VOL_ZC	0 1	Digital Microphone Volume Zero Cross Control. 0: Volume change occurs at any time. 1: Volume change only occurs at zero crossing.	0x1	R/W
1	DMIC_VOL_LINK	0 1	Digital Microphone Volume Link. 0: Each digital microphone channel uses its respective volume value. 1: All digital microphone channels use Channel 0 volume value.	0x0	R/W
0	DMIC_HARD_VOL	0 1	Digital Microphone Hard Volume. 0: Soft Volume Ramping. 1: Hard/Immediate Volume Change.	0x0	R/W

DIGITAL MICROPHONE CHANNEL MUTE CONTROLS REGISTER

Address: 0xC031, Reset: 0x00, Name: DMIC_MUTES

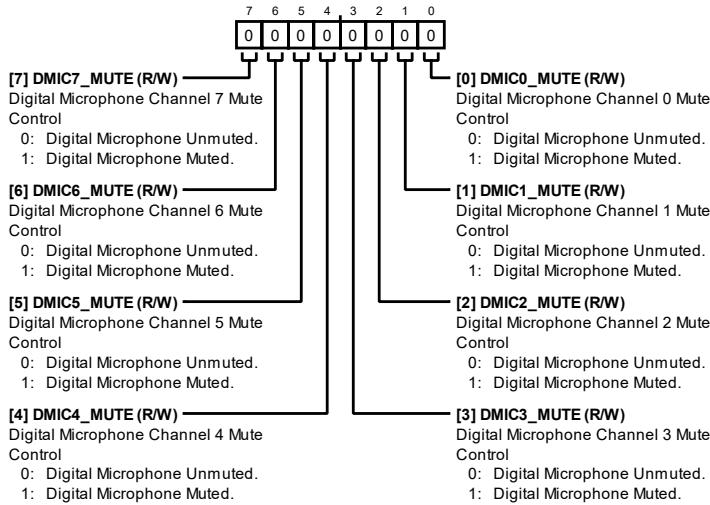
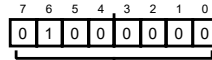


Table 89. Bit Descriptions for DMIC_MUTES

Bits	Bit Name	Settings	Description	Reset	Access
7	DMIC7_MUTE	0 1	Digital Microphone Channel 7 Mute Control. 0: Digital Microphone Unmuted. 1: Digital Microphone Muted.	0x0	R/W
6	DMIC6_MUTE	0 1	Digital Microphone Channel 6 Mute Control. 0: Digital Microphone Unmuted. 1: Digital Microphone Muted.	0x0	R/W
5	DMIC5_MUTE	0 1	Digital Microphone Channel 5 Mute Control. 0: Digital Microphone Unmuted. 1: Digital Microphone Muted.	0x0	R/W
4	DMIC4_MUTE	0 1	Digital Microphone Channel 4 Mute Control. 0: Digital Microphone Unmuted. 1: Digital Microphone Muted.	0x0	R/W
3	DMIC3_MUTE	0 1	Digital Microphone Channel 3 Mute Control. 0: Digital Microphone Unmuted. 1: Digital Microphone Muted.	0x0	R/W
2	DMIC2_MUTE	0 1	Digital Microphone Channel 2 Mute Control. 0: Digital Microphone Unmuted. 1: Digital Microphone Muted.	0x0	R/W
1	DMIC1_MUTE	0 1	Digital Microphone Channel 1 Mute Control. 0: Digital Microphone Unmuted. 1: Digital Microphone Muted.	0x0	R/W
0	DMIC0_MUTE	0 1	Digital Microphone Channel 0 Mute Control. 0: Digital Microphone Unmuted. 1: Digital Microphone Muted.	0x0	R/W

DIGITAL MICROPHONE CHANNEL 0 VOLUME CONTROL REGISTER

Address: 0xC032, Reset: 0x40, Name: DMIC_VOL0



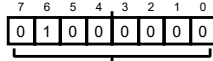
[7:0] DMIC0_VOL (RW)
 Digital Microphone Channel 0 Volume Control
 00000000: +24 dB.
 00000001: +23.625 dB.
 00000010: +23.35 dB.
 ...
 11111101: -70.875 dB.
 11111110: -71.25 dB.
 11111111: Mute.

Table 90. Bit Descriptions for DMIC_VOL0

Bits	Bit Name	Settings	Description	Reset	Access
[7:0]	DMIC0_VOL		Digital Microphone Channel 0 Volume Control.	0x40	R/W
		00000000	+24 dB.		
		00000001	+23.625 dB.		
		00000010	+23.35 dB.		
		00000011	+22.875 dB.		
		00000100	+22.5 dB.		
			
		00111111	+0.375 dB.		
		01000000	0 dB.		
		01000001	-0.375 dB.		
			
		11111101	-70.875 dB.		
		11111110	-71.25 dB.		
		11111111	Mute.		

DIGITAL MICROPHONE CHANNEL 1 VOLUME CONTROL REGISTER

Address: 0xC033, Reset: 0x40, Name: DMIC_VOL1



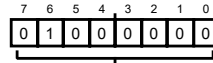
[7:0] DMIC1_VOL (RW)
 Digital Microphone Channel 1 Volume Control
 00000000: +24 dB.
 00000001: +23.625 dB.
 00000010: +23.35 dB.
 ...
 11111101: -70.875 dB.
 11111110: -71.25 dB.
 11111111: Mute.

Table 91. Bit Descriptions for DMIC_VOL1

Bits	Bit Name	Settings	Description	Reset	Access
[7:0]	DMIC1_VOL		Digital Microphone Channel 1 Volume Control.	0x40	R/W
		00000000	+24 dB.		
		00000001	+23.625 dB.		
		00000010	+23.35 dB.		
		00000011	+22.875 dB.		
		00000100	+22.5 dB.		
			
		00111111	+0.375 dB.		
		01000000	0 dB.		
		01000001	-0.375 dB.		
			
		11111101	-70.875 dB.		
		11111110	-71.25 dB.		
		11111111	Mute.		

DIGITAL MICROPHONE CHANNEL 2 VOLUME CONTROL REGISTER

Address: 0xC034, Reset: 0x40, Name: DMIC_VOL2



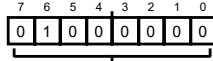
[7:0] DMIC2_VOL (RW)
 Digital Microphone Channel 2 Volume Control
 00000000: +24 dB.
 00000001: +23.625 dB.
 00000010: +23.35 dB.
 ...
 11111101: -70.875 dB.
 11111110: -71.25 dB.
 11111111: Mute.

Table 92. Bit Descriptions for DMIC_VOL2

Bits	Bit Name	Settings	Description	Reset	Access
[7:0]	DMIC2_VOL		Digital Microphone Channel 2 Volume Control.	0x40	R/W
		00000000	+24 dB.		
		00000001	+23.625 dB.		
		00000010	+23.35 dB.		
		00000011	+22.875 dB.		
		00000100	+22.5 dB.		
			
		00111111	+0.375 dB.		
		01000000	0 dB.		
		01000001	-0.375 dB.		
			
		11111101	-70.875 dB.		
		11111110	-71.25 dB.		
		11111111	Mute.		

DIGITAL MICROPHONE CHANNEL 3 VOLUME CONTROL REGISTER

Address: 0xC035, Reset: 0x40, Name: DMIC_VOL3



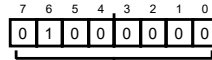
[7:0] DMIC3_VOL (RW)
 Digital Microphone Channel 3 Volume Control
 00000000: +24 dB.
 00000001: +23.625 dB.
 00000010: +23.35 dB.
 ...
 11111101: -70.875 dB.
 11111110: -71.25 dB.
 11111111: Mute.

Table 93. Bit Descriptions for DMIC_VOL3

Bits	Bit Name	Settings	Description	Reset	Access
[7:0]	DMIC3_VOL		Digital Microphone Channel 3 Volume Control.	0x40	R/W
		00000000	+24 dB.		
		00000001	+23.625 dB.		
		00000010	+23.35 dB.		
		00000011	+22.875 dB.		
		00000100	+22.5 dB.		
			
		00111111	+0.375 dB.		
		01000000	0 dB.		
		01000001	-0.375 dB.		
			
		11111101	-70.875 dB.		
		11111110	-71.25 dB.		
		11111111	Mute.		

DIGITAL MICROPHONE CHANNEL 4 VOLUME CONTROL REGISTER

Address: 0xC036, Reset: 0x40, Name: DMIC_VOL4



[7:0] DMIC4_VOL (RW)
 Digital Microphone Channel 4 Volume Control
 00000000: +24 dB.
 00000001: +23.625 dB.
 00000010: +23.35 dB.
 ...
 11111101: -70.875 dB.
 11111110: -71.25 dB.
 11111111: Mute.

Table 94. Bit Descriptions for DMIC_VOL4

Bits	Bit Name	Settings	Description	Reset	Access
[7:0]	DMIC4_VOL		Digital Microphone Channel 4 Volume Control.	0x40	R/W
		00000000	+24 dB.		
		00000001	+23.625 dB.		
		00000010	+23.35 dB.		
		00000011	+22.875 dB.		
		00000100	+22.5 dB.		
			
		00111111	+0.375 dB.		
		01000000	0 dB.		
		01000001	-0.375 dB.		
			
		11111101	-70.875 dB.		
		11111110	-71.25 dB.		
		11111111	Mute.		

DIGITAL MICROPHONE CHANNEL 5 VOLUME CONTROL REGISTER

Address: 0xC037, Reset: 0x40, Name: DMIC_VOL5



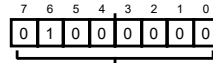
[7:0] DMIC5_VOL (RW)
 Digital Microphone Channel 5 Volume Control
 00000000: +24 dB.
 00000001: +23.625 dB.
 00000010: +23.35 dB.
 ...
 11111101: -70.875 dB.
 11111110: -71.25 dB.
 11111111: Mute.

Table 95. Bit Descriptions for DMIC_VOL5

Bits	Bit Name	Settings	Description	Reset	Access
[7:0]	DMIC5_VOL	00000000	Digital Microphone Channel 5 Volume Control. +24 dB.	0x40	R/W
		00000001	+23.625 dB.		
		00000010	+23.35 dB.		
		00000011	+22.875 dB.		
		00000100	+22.5 dB.		
			
		00111111	+0.375 dB.		
		01000000	0 dB.		
		01000001	-0.375 dB.		
			
		11111101	-70.875 dB.		
		11111110	-71.25 dB.		
		11111111	Mute.		

DIGITAL MICROPHONE CHANNEL 6 VOLUME CONTROL REGISTER

Address: 0xC038, Reset: 0x40, Name: DMIC_VOL6



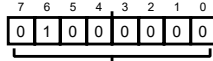
[7:0] DMIC6_VOL (RW)
 Digital Microphone Channel 6 Volume Control
 00000000: +24 dB.
 00000001: +23.625 dB.
 00000010: +23.35 dB.
 ...
 11111101: -70.875 dB.
 11111110: -71.25 dB.
 11111111: Mute.

Table 96. Bit Descriptions for DMIC_VOL6

Bits	Bit Name	Settings	Description	Reset	Access
[7:0]	DMIC6_VOL		Digital Microphone Channel 6 Volume Control.	0x40	R/W
		00000000	+24 dB.		
		00000001	+23.625 dB.		
		00000010	+23.35 dB.		
		00000011	+22.875 dB.		
		00000100	+22.5 dB.		
			
		00111111	+0.375 dB.		
		01000000	0 dB.		
		01000001	-0.375 dB.		
			
		11111101	-70.875 dB.		
		11111110	-71.25 dB.		
		11111111	Mute.		

DIGITAL MICROPHONE CHANNEL 7 VOLUME CONTROL REGISTER

Address: 0xC039, Reset: 0x40, Name: DMIC_VOL7



[7:0] DMIC7_VOL (RW)
 Digital Microphone Channel 7 Volume Control
 00000000: +24 dB.
 00000001: +23.625 dB.
 00000010: +23.35 dB.
 ...
 11111101: -70.875 dB.
 11111110: -71.25 dB.
 11111111: Mute.

Table 97. Bit Descriptions for DMIC_VOL7

Bits	Bit Name	Settings	Description	Reset	Access
[7:0]	DMIC7_VOL		Digital Microphone Channel 7 Volume Control.	0x40	R/W
		00000000	+24 dB.		
		00000001	+23.625 dB.		
		00000010	+23.35 dB.		
		00000011	+22.875 dB.		
		00000100	+22.5 dB.		
			
		00111111	+0.375 dB.		
		01000000	0 dB.		
		01000001	-0.375 dB.		
			
		11111101	-70.875 dB.		
		11111110	-71.25 dB.		
		11111111	Mute.		

DAC SAMPLE RATE, FILTERING, AND POWER CONTROLS REGISTER

Address: 0xC03A, Reset: 0x02, Name: DAC_CTRL1

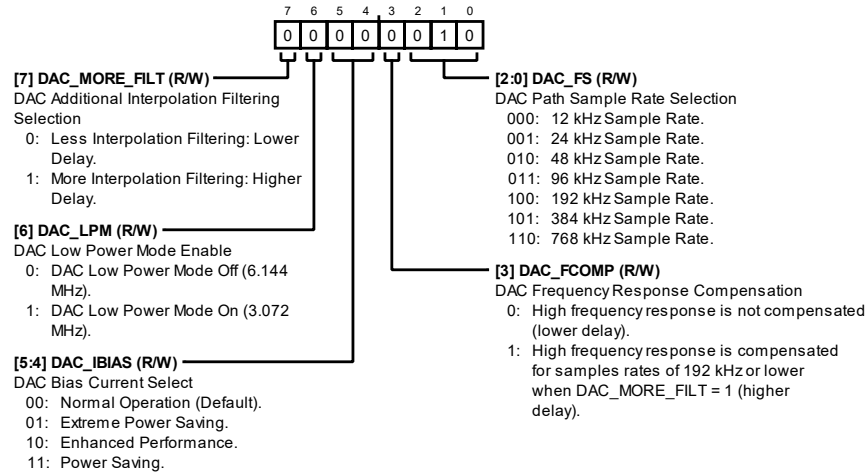


Table 98. Bit Descriptions for DAC_CTRL1

Bits	Bit Name	Settings	Description	Reset	Access
7	DAC_MORE_FILT	0 1	DAC Additional Interpolation Filtering Selection. Less Interpolation Filtering: Lower Delay. More Interpolation Filtering: Higher Delay.	0x0	R/W
6	DAC_LPM	0 1	DAC Low Power Mode Enable. 0 DAC Low Power Mode Off (6.144 MHz). 1 DAC Low Power Mode On (3.072 MHz).	0x0	R/W
[5:4]	DAC_IBIAS	00 01 10 11	DAC Bias Current Select. Higher bias currents result in higher performance. 00 Normal Operation (Default). 01 Extreme Power Saving. 10 Enhanced Performance. 11 Power Saving.	0x0	R/W
3	DAC_FCAMP	0 1	DAC Frequency Response Compensation. 0 High frequency response is not compensated (lower delay). 1 High frequency response is compensated for samples rates of 192 kHz or lower when DAC_MORE_FILT = 1 (higher delay).	0x0	R/W
[2:0]	DAC_FS	000 001 010 011 100 101 110	DAC Path Sample Rate Selection. 000 12 kHz Sample Rate. 001 24 kHz Sample Rate. 010 48 kHz Sample Rate. 011 96 kHz Sample Rate. 100 192 kHz Sample Rate. 101 384 kHz Sample Rate. 110 768 kHz Sample Rate.	0x2	R/W

DAC VOLUME LINK, HIGH-PASS FILTER (HPF), AND MUTE CONTROLS REGISTER

Address: 0xC03B, Reset: 0xC4, Name: DAC_CTRL2

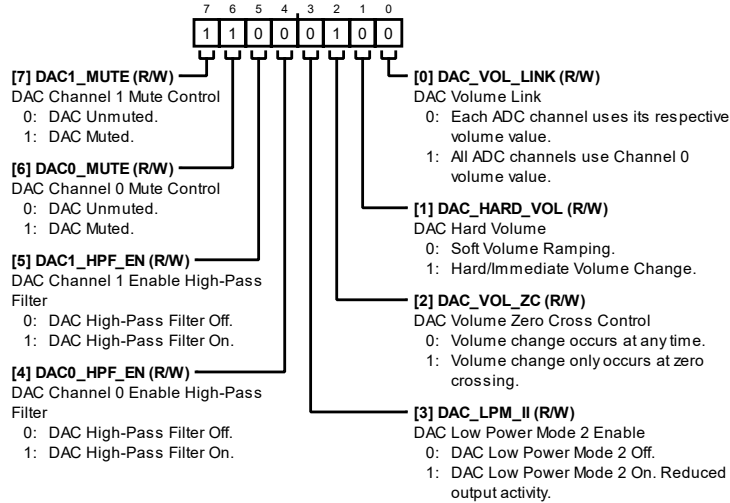
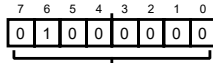


Table 99. Bit Descriptions for DAC_CTRL2

Bits	Bit Name	Settings	Description	Reset	Access
7	DAC1_MUTE	0 1	DAC Channel 1 Mute Control. DAC Unmuted. DAC Muted.	0x1	R/W
6	DAC0_MUTE	0 1	DAC Channel 0 Mute Control. DAC Unmuted. DAC Muted.	0x1	R/W
5	DAC1_HPF_EN	0 1	DAC Channel 1 Enable High-Pass Filter. ADC High-Pass Filter Off. ADC High-Pass Filter On.	0x0	R/W
4	DAC0_HPF_EN	0 1	DAC Channel 0 Enable High-Pass Filter. ADC High-Pass Filter Off. ADC High-Pass Filter On.	0x0	R/W
3	DAC_LPM_II	0 1	DAC Low Power Mode 2 Enable. DAC Low Power Mode 2 Off. DAC Low Power Mode 2 On. Reduced output activity.	0x0	R/W
2	DAC_VOL_ZC	0 1	DAC Volume Zero Cross Control. Volume change occurs at any time. Volume change only occurs at zero crossing.	0x1	R/W
1	DAC_HARD_VOL	0 1	DAC Hard Volume. Soft Volume Ramping. Hard/Immediate Volume Change.	0x0	R/W
0	DAC_VOL_LINK	0 1	DAC Volume Link. Each ADC channel uses its respective volume value. All ADC channels use Channel 0 volume value.	0x0	R/W

DAC CHANNEL 0 VOLUME REGISTER

Address: 0xC03C, Reset: 0x40, Name: DAC_VOL0



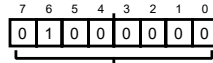
[7:0] DAC0_VOL (R/W)
 DAC Channel 0 Volume Control
 00000000: +24 dB.
 00000001: +23.625 dB.
 00000010: +23.35 dB.
 ...
 11111101: -70.875 dB.
 11111110: -71.25 dB.
 11111111: Mute.

Table 100. Bit Descriptions for DAC_VOL0

Bits	Bit Name	Settings	Description	Reset	Access
[7:0]	DAC0_VOL		DAC Channel 0 Volume Control.	0x40	R/W
		00000000	+24 dB.		
		00000001	+23.625 dB.		
		00000010	+23.35 dB.		
		00000011	+22.875 dB.		
		00000100	+22.5 dB.		
			
		00111111	+0.375 dB.		
		01000000	0 dB.		
		01000001	-0.375 dB.		
			
		11111101	-70.875 dB.		
		11111110	-71.25 dB.		
		11111111	Mute.		

DAC CHANNEL 1 VOLUME REGISTER

Address: 0xC03D, Reset: 0x40, Name: DAC_VOL1



[7:0] DAC1_VOL (R/W)
 DAC Channel 1 Volume Control
 00000000: +24 dB.
 00000001: +23.625 dB.
 00000010: +23.35 dB.
 ...
 11111101: -70.875 dB.
 11111110: -71.25 dB.
 11111111: Mute.

Table 101. Bit Descriptions for DAC_VOL1

Bits	Bit Name	Settings	Description	Reset	Access
[7:0]	DAC1_VOL		DAC Channel 1 Volume Control.	0x40	R/W
		00000000	+24 dB.		
		00000001	+23.625 dB.		
		00000010	+23.35 dB.		
		00000011	+22.875 dB.		
		00000100	+22.5 dB.		
			
		00111111	+0.375 dB.		
		01000000	0 dB.		
		01000001	-0.375 dB.		
			
		11111101	-70.875 dB.		
		11111110	-71.25 dB.		
		11111111	Mute.		

DAC CHANNEL 0 ROUTING REGISTER

Address: 0xC03E, Reset: 0x00, Name: DAC_ROUTE0

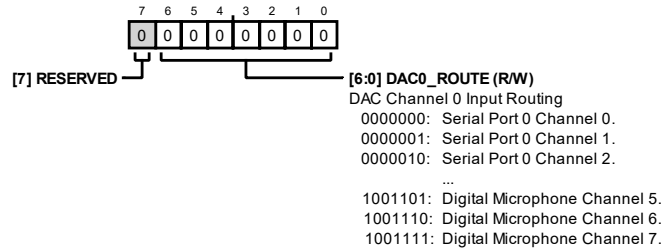


Table 102. Bit Descriptions for DAC_ROUTE0

Bits	Bit Name	Settings	Description	Reset	Access
7	RESERVED		Reserved.	0x0	R
[6:0]	DAC0_ROUTE		DAC Channel 0 Input Routing.	0x0	R/W
		0000000	Serial Port 0 Channel 0.		
		0000001	Serial Port 0 Channel 1.		
		0000010	Serial Port 0 Channel 2.		
		0000011	Serial Port 0 Channel 3.		
		0000100	Serial Port 0 Channel 4.		
		0000101	Serial Port 0 Channel 5.		
		0000110	Serial Port 0 Channel 6.		
		0000111	Serial Port 0 Channel 7.		
		0001000	Serial Port 0 Channel 8.		
		0001001	Serial Port 0 Channel 9.		
		0001010	Serial Port 0 Channel 10.		
		0001011	Serial Port 0 Channel 11.		
		0001100	Serial Port 0 Channel 12.		
		0001101	Serial Port 0 Channel 13.		
		0001110	Serial Port 0 Channel 14.		
		0001111	Serial Port 0 Channel 15.		
		0010000	Serial Port 1 Channel 0.		
		0010001	Serial Port 1 Channel 1.		
		0010010	Serial Port 1 Channel 2.		
		0010011	Serial Port 1 Channel 3.		
		0010100	Serial Port 1 Channel 4.		
		0010101	Serial Port 1 Channel 5.		
		0010110	Serial Port 1 Channel 6.		
		0010111	Serial Port 1 Channel 7.		
		0011000	Serial Port 1 Channel 8.		
		0011001	Serial Port 1 Channel 9.		
		0011010	Serial Port 1 Channel 10.		
		0011011	Serial Port 1 Channel 11.		
		0011100	Serial Port 1 Channel 12.		
		0011101	Serial Port 1 Channel 13.		
		0011110	Serial Port 1 Channel 14.		
		0011111	Serial Port 1 Channel 15.		

Bits	Bit Name	Settings	Description	Reset	Access
		0100000	FastDSP Channel 0.		
		0100001	FastDSP Channel 1.		
		0100010	FastDSP Channel 2.		
		0100011	FastDSP Channel 3.		
		0100100	FastDSP Channel 4.		
		0100101	FastDSP Channel 5.		
		0100110	FastDSP Channel 6.		
		0100111	FastDSP Channel 7.		
		0101000	FastDSP Channel 8.		
		0101001	FastDSP Channel 9.		
		0101010	FastDSP Channel 10.		
		0101011	FastDSP Channel 11.		
		0101100	FastDSP Channel 12.		
		0101101	FastDSP Channel 13.		
		0101110	FastDSP Channel 14.		
		0101111	FastDSP Channel 15.		
		0110000	SigmaDSP Channel 0.		
		0110001	SigmaDSP Channel 1.		
		0110010	SigmaDSP Channel 2.		
		0110011	SigmaDSP Channel 3.		
		0110100	SigmaDSP Channel 4.		
		0110101	SigmaDSP Channel 5.		
		0110110	SigmaDSP Channel 6.		
		0110111	SigmaDSP Channel 7.		
		0111000	SigmaDSP Channel 8.		
		0111001	SigmaDSP Channel 9.		
		0111010	SigmaDSP Channel 10.		
		0111011	SigmaDSP Channel 11.		
		0111100	SigmaDSP Channel 12.		
		0111101	SigmaDSP Channel 13.		
		0111110	SigmaDSP Channel 14.		
		0111111	SigmaDSP Channel 15.		
		1000000	Input ASRC Channel 0.		
		1000001	Input ASRC Channel 1.		
		1000010	Input ASRC Channel 2.		
		1000011	Input ASRC Channel 3.		
		1000100	ADC Channel 0.		
		1000101	ADC Channel 1.		
		1000110	ADC Channel 2.		
		1000111	ADC Channel 3.		
		1001000	Digital Microphone Channel 0.		
		1001001	Digital Microphone Channel 1.		
		1001010	Digital Microphone Channel 2.		
		1001011	Digital Microphone Channel 3.		
		1001100	Digital Microphone Channel 4.		
		1001101	Digital Microphone Channel 5.		
		1001110	Digital Microphone Channel 6.		
		1001111	Digital Microphone Channel 7.		

DAC CHANNEL 1 ROUTING REGISTER

Address: 0xC03F, Reset: 0x01, Name: DAC_ROUTE1

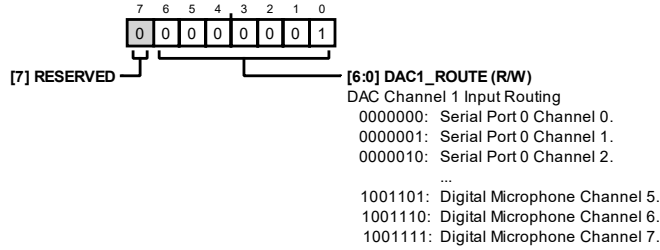


Table 103. Bit Descriptions for DAC_ROUTE1

Bits	Bit Name	Settings	Description	Reset	Access
7	RESERVED		Reserved.	0x0	R
[6:0]	DAC1_ROUTE	0000000 0000001 0000010 0000011 0000100 0000101 0000110 0000111 0001000 0001001 0001010 0001011 0001100 0001101 0001110 0001111 0010000 0010001 0010010 0010011 0010100 0010101 0010110 0010111 0011000 0011001 0011010 0011011 0011100 0011101 0011110 0011111	DAC Channel 1 Input Routing. Serial Port 0 Channel 0. Serial Port 0 Channel 1. Serial Port 0 Channel 2. Serial Port 0 Channel 3. Serial Port 0 Channel 4. Serial Port 0 Channel 5. Serial Port 0 Channel 6. Serial Port 0 Channel 7. Serial Port 0 Channel 8. Serial Port 0 Channel 9. Serial Port 0 Channel 10. Serial Port 0 Channel 11. Serial Port 0 Channel 12. Serial Port 0 Channel 13. Serial Port 0 Channel 14. Serial Port 0 Channel 15. Serial Port 1 Channel 0. Serial Port 1 Channel 1. Serial Port 1 Channel 2. Serial Port 1 Channel 3. Serial Port 1 Channel 4. Serial Port 1 Channel 5. Serial Port 1 Channel 6. Serial Port 1 Channel 7. Serial Port 1 Channel 8. Serial Port 1 Channel 9. Serial Port 1 Channel 10. Serial Port 1 Channel 11. Serial Port 1 Channel 12. Serial Port 1 Channel 13. Serial Port 1 Channel 14. Serial Port 1 Channel 15.	0x1	R/W

Bits	Bit Name	Settings	Description	Reset	Access
		0100000	FastDSP Channel 0.		
		0100001	FastDSP Channel 1.		
		0100010	FastDSP Channel 2.		
		0100011	FastDSP Channel 3.		
		0100100	FastDSP Channel 4.		
		0100101	FastDSP Channel 5.		
		0100110	FastDSP Channel 6.		
		0100111	FastDSP Channel 7.		
		0101000	FastDSP Channel 8.		
		0101001	FastDSP Channel 9.		
		0101010	FastDSP Channel 10.		
		0101011	FastDSP Channel 11.		
		0101100	FastDSP Channel 12.		
		0101101	FastDSP Channel 13.		
		0101110	FastDSP Channel 14.		
		0101111	FastDSP Channel 15.		
		0110000	SigmaDSP Channel 0.		
		0110001	SigmaDSP Channel 1.		
		0110010	SigmaDSP Channel 2.		
		0110011	SigmaDSP Channel 3.		
		0110100	SigmaDSP Channel 4.		
		0110101	SigmaDSP Channel 5.		
		0110110	SigmaDSP Channel 6.		
		0110111	SigmaDSP Channel 7.		
		0111000	SigmaDSP Channel 8.		
		0111001	SigmaDSP Channel 9.		
		0111010	SigmaDSP Channel 10.		
		0111011	SigmaDSP Channel 11.		
		0111100	SigmaDSP Channel 12.		
		0111101	SigmaDSP Channel 13.		
		0111110	SigmaDSP Channel 14.		
		0111111	SigmaDSP Channel 15.		
		1000000	Input ASRC Channel 0.		
		1000001	Input ASRC Channel 1.		
		1000010	Input ASRC Channel 2.		
		1000011	Input ASRC Channel 3.		
		1000100	ADC Channel 0.		
		1000101	ADC Channel 1.		
		1000110	ADC Channel 2.		
		1000111	ADC Channel 3.		
		1001000	Digital Microphone Channel 0.		
		1001001	Digital Microphone Channel 1.		
		1001010	Digital Microphone Channel 2.		
		1001011	Digital Microphone Channel 3.		
		1001100	Digital Microphone Channel 4.		
		1001101	Digital Microphone Channel 5.		
		1001110	Digital Microphone Channel 6.		
		1001111	Digital Microphone Channel 7.		

HEADPHONE CONTROL REGISTER

Address: 0xC040, Reset: 0x00, Name: HP_CTRL

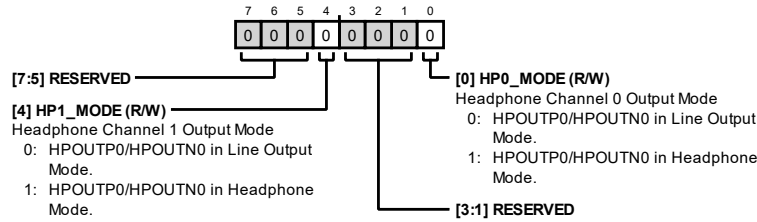


Table 104. Bit Descriptions for HP_CTRL

Bits	Bit Name	Settings	Description	Reset	Access
[7:5]	RESERVED		Reserved.	0x0	R
4	HP1_MODE	0 1	Headphone Channel 1 Output Mode. HPOUTP0/HPOUTN0 in Line Output Mode. HPOUTP0/HPOUTN0 in Headphone Mode.	0x0	R/W
[3:1]	RESERVED		Reserved.	0x0	R
0	HP0_MODE	0 1	Headphone Channel 0 Output Mode. HPOUTP0/HPOUTN0 in Line Output Mode. HPOUTP0/HPOUTN0 in Headphone Mode.	0x0	R/W

FAST TO SLOW DECIMATOR SAMPLE RATES CHANNEL 0 AND CHANNEL 1 REGISTER

Address: 0xC041, Reset: 0x25, Name: FDEC_CTRL1

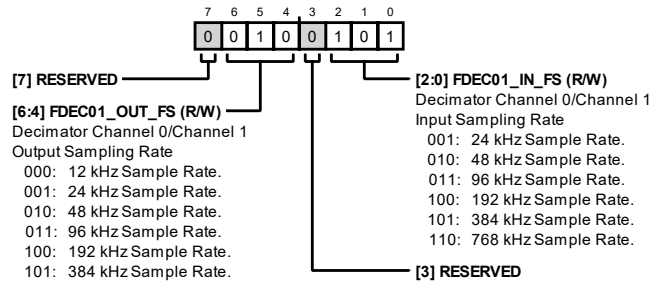


Table 105. Bit Descriptions for FDEC_CTRL1

Bits	Bit Name	Settings	Description	Reset	Access
7	RESERVED		Reserved.	0x0	R
[6:4]	FDEC01_OUT_FS	000 001 010 011 100 101	Decimator Channel 0/Channel 1 Output Sampling Rate. 12 kHz Sample Rate. 24 kHz Sample Rate. 48 kHz Sample Rate. 96 kHz Sample Rate. 192 kHz Sample Rate. 384 kHz Sample Rate.	0x2	R/W
3	RESERVED		Reserved.	0x0	R
[2:0]	FDEC01_IN_FS	001 010 011 100 101 110	Decimator Channel 0/Channel 1 Input Sampling Rate. 24 kHz Sample Rate. 48 kHz Sample Rate. 96 kHz Sample Rate. 192 kHz Sample Rate. 384 kHz Sample Rate. 768 kHz Sample Rate.	0x5	R/W

FAST TO SLOW DECIMATOR SAMPLE RATES CHANNEL 2 AND CHANNEL 3 REGISTER

Address: 0xC042, Reset: 0x25, Name: FDEC_CTRL2

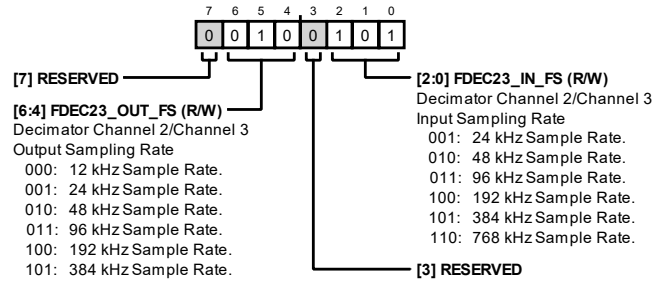


Table 106. Bit Descriptions for FDEC_CTRL2

Bits	Bit Name	Settings	Description	Reset	Access
7	RESERVED		Reserved.	0x0	R
[6:4]	FDEC23_OUT_FS	000 001 010 011 100 101	Decimator Channel 2/Channel 3 Output Sampling Rate. 12 kHz Sample Rate. 24 kHz Sample Rate. 48 kHz Sample Rate. 96 kHz Sample Rate. 192 kHz Sample Rate. 384 kHz Sample Rate.	0x2	R/W
3	RESERVED		Reserved.	0x0	R
[2:0]	FDEC23_IN_FS	001 010 011 100 101 110	Decimator Channel 2/Channel 3 Input Sampling Rate. 24 kHz Sample Rate. 48 kHz Sample Rate. 96 kHz Sample Rate. 192 kHz Sample Rate. 384 kHz Sample Rate. 768 kHz Sample Rate.	0x5	R/W

FAST TO SLOW DECIMATOR SAMPLE RATES CHANNEL 4 AND CHANNEL 5 REGISTER

Address: 0xC043, Reset: 0x25, Name: FDEC_CTRL3

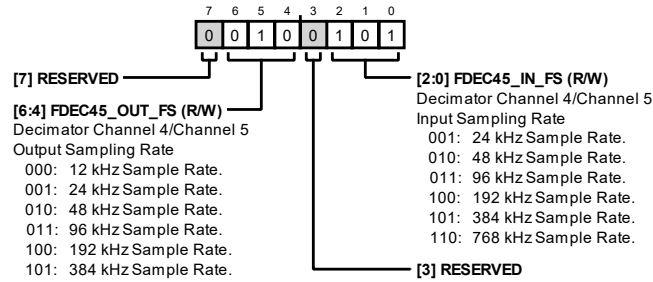


Table 107. Bit Descriptions for FDEC_CTRL3

Bits	Bit Name	Settings	Description	Reset	Access
7	RESERVED		Reserved.	0x0	R
[6:4]	FDEC45_OUT_FS	000 001 010 011 100 101	Decimator Channel 4/Channel 5 Output Sampling Rate. 12 kHz Sample Rate. 24 kHz Sample Rate. 48 kHz Sample Rate. 96 kHz Sample Rate. 192 kHz Sample Rate. 384 kHz Sample Rate.	0x2	R/W
3	RESERVED		Reserved.	0x0	R
[2:0]	FDEC45_IN_FS	001 010 011 100 101 110	Decimator Channel 4/Channel 5 Input Sampling Rate. 24 kHz Sample Rate. 48 kHz Sample Rate. 96 kHz Sample Rate. 192 kHz Sample Rate. 384 kHz Sample Rate. 768 kHz Sample Rate.	0x5	R/W

FAST TO SLOW DECIMATOR SAMPLE RATES CHANNEL 6 AND CHANNEL 7 REGISTER

Address: 0xC044, Reset: 0x25, Name: FDEC_CTRL4

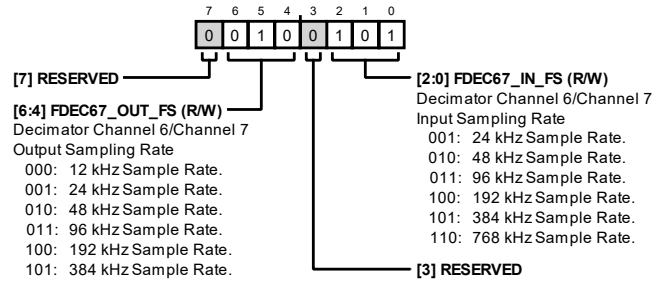


Table 108. Bit Descriptions for FDEC_CTRL4

Bits	Bit Name	Settings	Description	Reset	Access
7	RESERVED		Reserved.	0x0	R
[6:4]	FDEC67_OUT_FS	000 001 010 011 100 101	Decimator Channel 6/Channel 7 Output Sampling Rate. 12 kHz Sample Rate. 24 kHz Sample Rate. 48 kHz Sample Rate. 96 kHz Sample Rate. 192 kHz Sample Rate. 384 kHz Sample Rate.	0x2	R/W
3	RESERVED		Reserved.	0x0	R
[2:0]	FDEC67_IN_FS	001 010 011 100 101 110	Decimator Channel 6/Channel 7 Input Sampling Rate. 24 kHz Sample Rate. 48 kHz Sample Rate. 96 kHz Sample Rate. 192 kHz Sample Rate. 384 kHz Sample Rate. 768 kHz Sample Rate.	0x5	R/W

FAST TO SLOW DECIMATOR CHANNEL 0 INPUT ROUTING REGISTER

Address: 0xC045, Reset: 0x00, Name: FDEC_ROUTE0

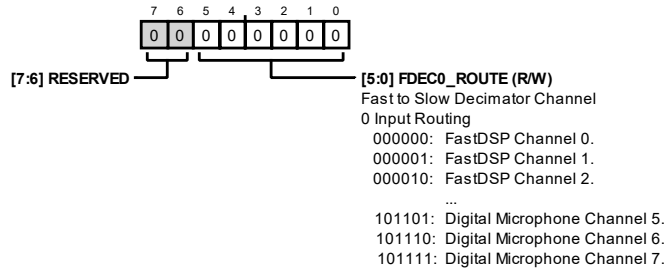


Table 109. Bit Descriptions for FDEC_ROUTE0

Bits	Bit Name	Settings	Description	Reset	Access
[7:6]	RESERVED		Reserved.	0x0	R
[5:0]	FDEC0_ROUTE		Fast to Slow Decimator Channel 0 Input Routing. 0 FastDSP Channel 0. 1 FastDSP Channel 1. 2 FastDSP Channel 2. 3 FastDSP Channel 3. 4 FastDSP Channel 4. 5 FastDSP Channel 5. 6 FastDSP Channel 6. 7 FastDSP Channel 7. 8 FastDSP Channel 8. 9 FastDSP Channel 9. 10 FastDSP Channel 10. 11 FastDSP Channel 11. 12 FastDSP Channel 12. 13 FastDSP Channel 13. 14 FastDSP Channel 14. 15 FastDSP Channel 15. 16 SigmaDSP Channel 0. 17 SigmaDSP Channel 1. 18 SigmaDSP Channel 2. 19 SigmaDSP Channel 3. 20 SigmaDSP Channel 4. 21 SigmaDSP Channel 5. 22 SigmaDSP Channel 6. 23 SigmaDSP Channel 7. 24 SigmaDSP Channel 8. 25 SigmaDSP Channel 9. 26 SigmaDSP Channel 10. 27 SigmaDSP Channel 11. 28 SigmaDSP Channel 12. 29 SigmaDSP Channel 13. 30 SigmaDSP Channel 14. 31 SigmaDSP Channel 15. 32 Input ASRC Channel 0. 33 Input ASRC Channel 1. 34 Input ASRC Channel 2. 35 Input ASRC Channel 3.	0x0	R/W

Bits	Bit Name	Settings	Description	Reset	Access
		36	ADC Channel 0.		
		37	ADC Channel 1.		
		38	ADC Channel 2.		
		39	ADC Channel 3.		
		40	Digital Microphone Channel 0.		
		41	Digital Microphone Channel 1.		
		42	Digital Microphone Channel 2.		
		43	Digital Microphone Channel 3.		
		44	Digital Microphone Channel 4.		
		45	Digital Microphone Channel 5.		
		46	Digital Microphone Channel 6.		
		47	Digital Microphone Channel 7.		

FAST TO SLOW DECIMATOR CHANNEL 1 INPUT ROUTING REGISTER

Address: 0xC046, Reset: 0x00, Name: FDEC_ROUTE1

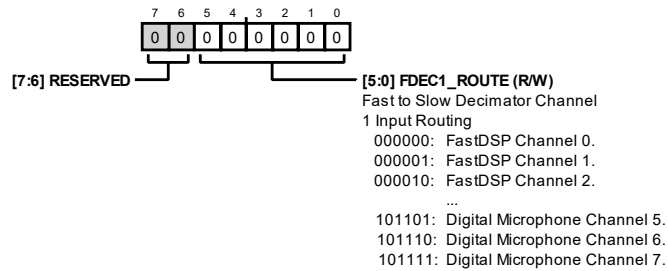


Table 110. Bit Descriptions for FDEC_ROUTE1

Bits	Bit Name	Settings	Description	Reset	Access
[7:6]	RESERVED		Reserved.	0x0	R
[5:0]	FDEC1_ROUTE	000000 000001 000010 000011 000100 000101 000110 000111 001000 001001 001010 001011 001100 001101 001110 001111	Fast to Slow Decimator Channel 1 Input Routing. FastDSP Channel 0. FastDSP Channel 1. FastDSP Channel 2. FastDSP Channel 3. FastDSP Channel 4. FastDSP Channel 5. FastDSP Channel 6. FastDSP Channel 7. FastDSP Channel 8. FastDSP Channel 9. FastDSP Channel 10. FastDSP Channel 11. FastDSP Channel 12. FastDSP Channel 13. FastDSP Channel 14. FastDSP Channel 15.	0x0	R/W

Bits	Bit Name	Settings	Description	Reset	Access
		010000	SigmaDSP Channel 0.		
		010001	SigmaDSP Channel 1.		
		010010	SigmaDSP Channel 2.		
		010011	SigmaDSP Channel 3.		
		010100	SigmaDSP Channel 4.		
		010101	SigmaDSP Channel 5.		
		010110	SigmaDSP Channel 6.		
		010111	SigmaDSP Channel 7.		
		011000	SigmaDSP Channel 8.		
		011001	SigmaDSP Channel 9.		
		011010	SigmaDSP Channel 10.		
		011011	SigmaDSP Channel 11.		
		011100	SigmaDSP Channel 12.		
		011101	SigmaDSP Channel 13.		
		011110	SigmaDSP Channel 14.		
		011111	SigmaDSP Channel 15.		
		100000	Input ASRC Channel 0.		
		100001	Input ASRC Channel 1.		
		100010	Input ASRC Channel 2.		
		100011	Input ASRC Channel 3.		
		100100	ADC Channel 0.		
		100101	ADC Channel 1.		
		100110	ADC Channel 2.		
		100111	ADC Channel 3.		
		101000	Digital Microphone Channel 0.		
		101001	Digital Microphone Channel 1.		
		101010	Digital Microphone Channel 2.		
		101011	Digital Microphone Channel 3.		
		101100	Digital Microphone Channel 4.		
		101101	Digital Microphone Channel 5.		
		101110	Digital Microphone Channel 6.		
		101111	Digital Microphone Channel 7.		

FAST TO SLOW DECIMATOR CHANNEL 2 INPUT ROUTING REGISTER

Address: 0xC047, Reset: 0x00, Name: FDEC_ROUTE2

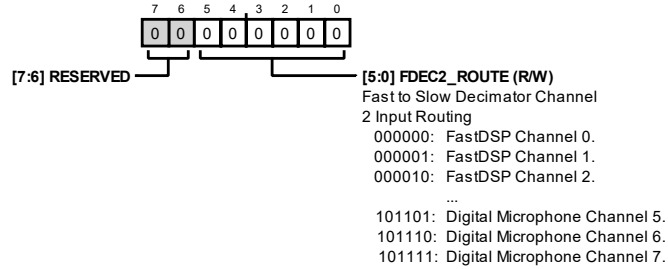


Table 111. Bit Descriptions for FDEC_ROUTE2

Bits	Bit Name	Settings	Description	Reset	Access
[7:6]	RESERVED		Reserved.	0x0	R
[5:0]	FDEC2_ROUTE	000000 FastDSP Channel 0. 000001 FastDSP Channel 1. 000010 FastDSP Channel 2. 000011 FastDSP Channel 3. 000100 FastDSP Channel 4. 000101 FastDSP Channel 5. 000110 FastDSP Channel 6. 000111 FastDSP Channel 7. 001000 FastDSP Channel 8. 001001 FastDSP Channel 9. 001010 FastDSP Channel 10. 001011 FastDSP Channel 11. 001100 FastDSP Channel 12. 001101 FastDSP Channel 13. 001110 FastDSP Channel 14. 001111 FastDSP Channel 15. 010000 SigmaDSP Channel 0. 010001 SigmaDSP Channel 1. 010010 SigmaDSP Channel 2. 010011 SigmaDSP Channel 3. 010100 SigmaDSP Channel 4. 010101 SigmaDSP Channel 5. 010110 SigmaDSP Channel 6. 010111 SigmaDSP Channel 7. 011000 SigmaDSP Channel 8. 011001 SigmaDSP Channel 9. 011010 SigmaDSP Channel 10. 011011 SigmaDSP Channel 11. 011100 SigmaDSP Channel 12. 011101 SigmaDSP Channel 13. 011110 SigmaDSP Channel 14. 011111 SigmaDSP Channel 15. 100000 Input ASRC Channel 0. 100001 Input ASRC Channel 1. 100010 Input ASRC Channel 2. 100011 Input ASRC Channel 3.	Fast to Slow Decimator Channel 2 Input Routing.	0x0	R/W

Bits	Bit Name	Settings	Description	Reset	Access
		100100	ADC Channel 0.		
		100101	ADC Channel 1.		
		100110	ADC Channel 2.		
		100111	ADC Channel 3.		
		101000	Digital Microphone Channel 0.		
		101001	Digital Microphone Channel 1.		
		101010	Digital Microphone Channel 2.		
		101011	Digital Microphone Channel 3.		
		101100	Digital Microphone Channel 4.		
		101101	Digital Microphone Channel 5.		
		101110	Digital Microphone Channel 6.		
		101111	Digital Microphone Channel 7.		

FAST TO SLOW DECIMATOR CHANNEL 3 INPUT ROUTING REGISTER

Address: 0xC048, Reset: 0x00, Name: FDEC_ROUTE3

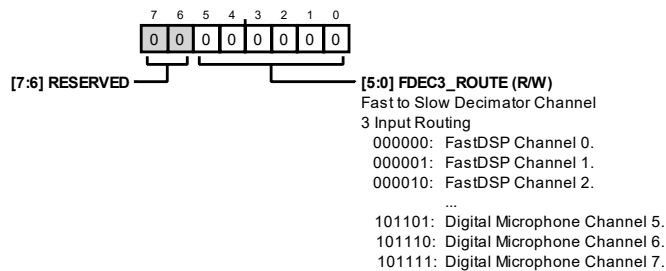


Table 112. Bit Descriptions for FDEC_ROUTE3

Bits	Bit Name	Settings	Description	Reset	Access
[7:6]	RESERVED		Reserved.	0x0	R
[5:0]	FDEC3_ROUTE		Fast to Slow Decimator Channel 3 Input Routing.	0x0	R/W
		000000	FastDSP Channel 0.		
		000001	FastDSP Channel 1.		
		000010	FastDSP Channel 2.		
		000011	FastDSP Channel 3.		
		000100	FastDSP Channel 4.		
		000101	FastDSP Channel 5.		
		000110	FastDSP Channel 6.		
		000111	FastDSP Channel 7.		
		001000	FastDSP Channel 8.		
		001001	FastDSP Channel 9.		
		001010	FastDSP Channel 10.		
		001011	FastDSP Channel 11.		
		001100	FastDSP Channel 12.		
		001101	FastDSP Channel 13.		
		001110	FastDSP Channel 14.		
		001111	FastDSP Channel 15.		

Bits	Bit Name	Settings	Description	Reset	Access
		010000	SigmaDSP Channel 0.		
		010001	SigmaDSP Channel 1.		
		010010	SigmaDSP Channel 2.		
		010011	SigmaDSP Channel 3.		
		010100	SigmaDSP Channel 4.		
		010101	SigmaDSP Channel 5.		
		010110	SigmaDSP Channel 6.		
		010111	SigmaDSP Channel 7.		
		011000	SigmaDSP Channel 8.		
		011001	SigmaDSP Channel 9.		
		011010	SigmaDSP Channel 10.		
		011011	SigmaDSP Channel 11.		
		011100	SigmaDSP Channel 12.		
		011101	SigmaDSP Channel 13.		
		011110	SigmaDSP Channel 14.		
		011111	SigmaDSP Channel 15.		
		100000	Input ASRC Channel 0.		
		100001	Input ASRC Channel 1.		
		100010	Input ASRC Channel 2.		
		100011	Input ASRC Channel 3.		
		100100	ADC Channel 0.		
		100101	ADC Channel 1.		
		100110	ADC Channel 2.		
		100111	ADC Channel 3.		
		101000	Digital Microphone Channel 0.		
		101001	Digital Microphone Channel 1.		
		101010	Digital Microphone Channel 2.		
		101011	Digital Microphone Channel 3.		
		101100	Digital Microphone Channel 4.		
		101101	Digital Microphone Channel 5.		
		101110	Digital Microphone Channel 6.		
		101111	Digital Microphone Channel 7.		

FAST TO SLOW DECIMATOR CHANNEL 4 INPUT ROUTING REGISTER

Address: 0xC049, Reset: 0x00, Name: FDEC_ROUTE4

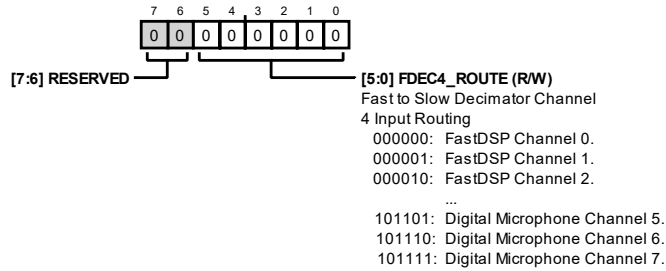


Table 113. Bit Descriptions for FDEC_ROUTE4

Bits	Bit Name	Settings	Description	Reset	Access
[7:6]	RESERVED		Reserved.	0x0	R
[5:0]	FDEC4_ROUTE	000000 000001 000010 000011 000100 000101 000110 000111 001000 001001 001010 001011 001100 001101 001110 001111 010000 010001 010010 010011 010100 010101 010110 010111 011000 011001 011010 011011 011100 011101 011110 011111 100000 100001 100010 100011	Fast to Slow Decimator Channel 4 Input Routing. FastDSP Channel 0. FastDSP Channel 1. FastDSP Channel 2. FastDSP Channel 3. FastDSP Channel 4. FastDSP Channel 5. FastDSP Channel 6. FastDSP Channel 7. FastDSP Channel 8. FastDSP Channel 9. FastDSP Channel 10. FastDSP Channel 11. FastDSP Channel 12. FastDSP Channel 13. FastDSP Channel 14. FastDSP Channel 15. SigmaDSP Channel 0. SigmaDSP Channel 1. SigmaDSP Channel 2. SigmaDSP Channel 3. SigmaDSP Channel 4. SigmaDSP Channel 5. SigmaDSP Channel 6. SigmaDSP Channel 7. SigmaDSP Channel 8. SigmaDSP Channel 9. SigmaDSP Channel 10. SigmaDSP Channel 11. SigmaDSP Channel 12. SigmaDSP Channel 13. SigmaDSP Channel 14. SigmaDSP Channel 15. Input ASRC Channel 0. Input ASRC Channel 1. Input ASRC Channel 2. Input ASRC Channel 3.	0x0	R/W

Bits	Bit Name	Settings	Description	Reset	Access
		100100	ADC Channel 0.		
		100101	ADC Channel 1.		
		100110	ADC Channel 2.		
		100111	ADC Channel 3.		
		101000	Digital Microphone Channel 0.		
		101001	Digital Microphone Channel 1.		
		101010	Digital Microphone Channel 2.		
		101011	Digital Microphone Channel 3.		
		101100	Digital Microphone Channel 4.		
		101101	Digital Microphone Channel 5.		
		101110	Digital Microphone Channel 6.		
		101111	Digital Microphone Channel 7.		

FAST TO SLOW DECIMATOR CHANNEL 5 INPUT ROUTING REGISTER

Address: 0xC04A, Reset: 0x00, Name: FDEC_ROUTE5

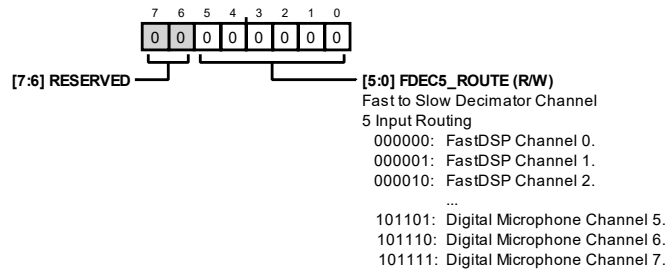


Table 114. Bit Descriptions for FDEC_ROUTE5

Bits	Bit Name	Settings	Description	Reset	Access
[7:6]	RESERVED		Reserved.	0x0	R
[5:0]	FDEC5_ROUTE	000000	FastDSP Channel 0.	0x0	R/W
		000001	FastDSP Channel 1.		
		000010	FastDSP Channel 2.		
		000011	FastDSP Channel 3.		
		000100	FastDSP Channel 4.		
		000101	FastDSP Channel 5.		
		000110	FastDSP Channel 6.		
		000111	FastDSP Channel 7.		
		001000	FastDSP Channel 8.		
		001001	FastDSP Channel 9.		
		001010	FastDSP Channel 10.		
		001011	FastDSP Channel 11.		
		001100	FastDSP Channel 12.		
		001101	FastDSP Channel 13.		
		001110	FastDSP Channel 14.		
		001111	FastDSP Channel 15.		

Bits	Bit Name	Settings	Description	Reset	Access
		010000	SigmaDSP Channel 0.		
		010001	SigmaDSP Channel 1.		
		010010	SigmaDSP Channel 2.		
		010011	SigmaDSP Channel 3.		
		010100	SigmaDSP Channel 4.		
		010101	SigmaDSP Channel 5.		
		010110	SigmaDSP Channel 6.		
		010111	SigmaDSP Channel 7.		
		011000	SigmaDSP Channel 8.		
		011001	SigmaDSP Channel 9.		
		011010	SigmaDSP Channel 10.		
		011011	SigmaDSP Channel 11.		
		011100	SigmaDSP Channel 12.		
		011101	SigmaDSP Channel 13.		
		011110	SigmaDSP Channel 14.		
		011111	SigmaDSP Channel 15.		
		100000	Input ASRC Channel 0.		
		100001	Input ASRC Channel 1.		
		100010	Input ASRC Channel 2.		
		100011	Input ASRC Channel 3.		
		100100	ADC Channel 0.		
		100101	ADC Channel 1.		
		100110	ADC Channel 2.		
		100111	ADC Channel 3.		
		101000	Digital Microphone Channel 0.		
		101001	Digital Microphone Channel 1.		
		101010	Digital Microphone Channel 2.		
		101011	Digital Microphone Channel 3.		
		101100	Digital Microphone Channel 4.		
		101101	Digital Microphone Channel 5.		
		101110	Digital Microphone Channel 6.		
		101111	Digital Microphone Channel 7.		

FAST TO SLOW DECIMATOR CHANNEL 6 INPUT ROUTING REGISTER

Address: 0xC04B, Reset: 0x00, Name: FDEC_ROUTE6

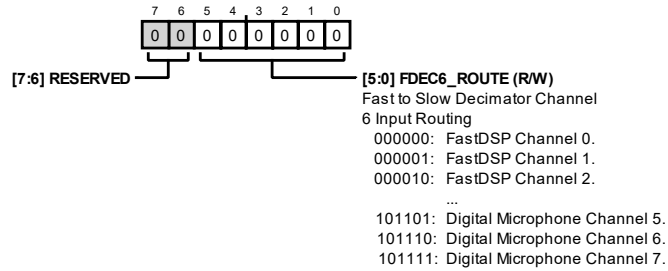


Table 115. Bit Descriptions for FDEC_ROUTE6

Bits	Bit Name	Settings	Description	Reset	Access
[7:6]	RESERVED		Reserved.	0x0	R
[5:0]	FDEC6_ROUTE	000000 FastDSP Channel 0. 000001 FastDSP Channel 1. 000010 FastDSP Channel 2. 000011 FastDSP Channel 3. 000100 FastDSP Channel 4. 000101 FastDSP Channel 5. 000110 FastDSP Channel 6. 000111 FastDSP Channel 7. 001000 FastDSP Channel 8. 001001 FastDSP Channel 9. 001010 FastDSP Channel 10. 001011 FastDSP Channel 11. 001100 FastDSP Channel 12. 001101 FastDSP Channel 13. 001110 FastDSP Channel 14. 001111 FastDSP Channel 15. 010000 SigmaDSP Channel 0. 010001 SigmaDSP Channel 1. 010010 SigmaDSP Channel 2. 010011 SigmaDSP Channel 3. 010100 SigmaDSP Channel 4. 010101 SigmaDSP Channel 5. 010110 SigmaDSP Channel 6. 010111 SigmaDSP Channel 7. 011000 SigmaDSP Channel 8. 011001 SigmaDSP Channel 9. 011010 SigmaDSP Channel 10. 011011 SigmaDSP Channel 11. 011100 SigmaDSP Channel 12. 011101 SigmaDSP Channel 13. 011110 SigmaDSP Channel 14. 011111 SigmaDSP Channel 15. 100000 Input ASRC Channel 0. 100001 Input ASRC Channel 1. 100010 Input ASRC Channel 2. 100011 Input ASRC Channel 3.	Fast to Slow Decimator Channel 6 Input Routing.	0x0	R/W

Bits	Bit Name	Settings	Description	Reset	Access
		100100	ADC Channel 0.		
		100101	ADC Channel 1.		
		100110	ADC Channel 2.		
		100111	ADC Channel 3.		
		101000	Digital Microphone Channel 0.		
		101001	Digital Microphone Channel 1.		
		101010	Digital Microphone Channel 2.		
		101011	Digital Microphone Channel 3.		
		101100	Digital Microphone Channel 4.		
		101101	Digital Microphone Channel 5.		
		101110	Digital Microphone Channel 6.		
		101111	Digital Microphone Channel 7.		

FAST TO SLOW DECIMATOR CHANNEL 7 INPUT ROUTING REGISTER

Address: 0xC04C, Reset: 0x00, Name: FDEC_ROUTE7

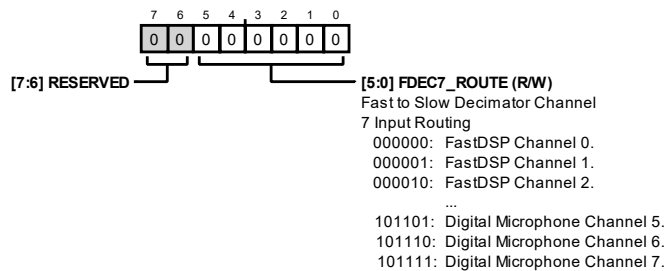


Table 116. Bit Descriptions for FDEC_ROUTE7

Bits	Bit Name	Settings	Description	Reset	Access
[7:6]	RESERVED		Reserved.	0x0	R
[5:0]	FDEC7_ROUTE		Fast to Slow Decimator Channel 7 Input Routing	0x0	R/W
		000000	FastDSP Channel 0.		
		000001	FastDSP Channel 1.		
		000010	FastDSP Channel 2.		
		000011	FastDSP Channel 3.		
		000100	FastDSP Channel 4.		
		000101	FastDSP Channel 5.		
		000110	FastDSP Channel 6.		
		000111	FastDSP Channel 7.		
		001000	FastDSP Channel 8.		
		001001	FastDSP Channel 9.		
		001010	FastDSP Channel 10.		
		001011	FastDSP Channel 11.		
		001100	FastDSP Channel 12.		
		001101	FastDSP Channel 13.		
		001110	FastDSP Channel 14.		
		001111	FastDSP Channel 15.		

Bits	Bit Name	Settings	Description	Reset	Access
		010000	SigmaDSP Channel 0.		
		010001	SigmaDSP Channel 1.		
		010010	SigmaDSP Channel 2.		
		010011	SigmaDSP Channel 3.		
		010100	SigmaDSP Channel 4.		
		010101	SigmaDSP Channel 5.		
		010110	SigmaDSP Channel 6.		
		010111	SigmaDSP Channel 7.		
		011000	SigmaDSP Channel 8.		
		011001	SigmaDSP Channel 9.		
		011010	SigmaDSP Channel 10.		
		011011	SigmaDSP Channel 11.		
		011100	SigmaDSP Channel 12.		
		011101	SigmaDSP Channel 13.		
		011110	SigmaDSP Channel 14.		
		011111	SigmaDSP Channel 15.		
		100000	Input ASRC Channel 0.		
		100001	Input ASRC Channel 1.		
		100010	Input ASRC Channel 2.		
		100011	Input ASRC Channel 3.		
		100100	ADC Channel 0.		
		100101	ADC Channel 1.		
		100110	ADC Channel 2.		
		100111	ADC Channel 3.		
		101000	Digital Microphone Channel 0.		
		101001	Digital Microphone Channel 1.		
		101010	Digital Microphone Channel 2.		
		101011	Digital Microphone Channel 3.		
		101100	Digital Microphone Channel 4.		
		101101	Digital Microphone Channel 5.		
		101110	Digital Microphone Channel 6.		
		101111	Digital Microphone Channel 7.		

SLOW TO FAST INTERPOLATOR SAMPLE RATES CHANNEL 0 AND CHANNEL 1 REGISTER

Address: 0xC04D, Reset: 0x52, Name: FINT_CTRL1

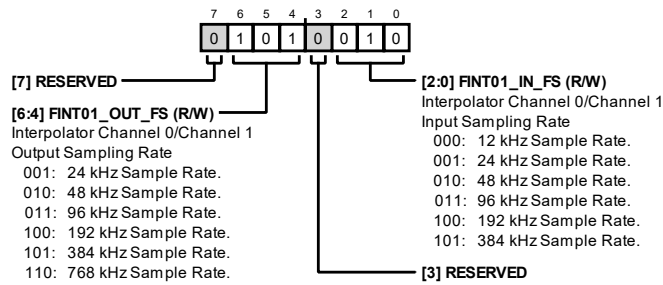


Table 117. Bit Descriptions for FINT_CTRL1

Bits	Bit Name	Settings	Description	Reset	Access
7	RESERVED		Reserved.	0x0	R
[6:4]	FINT01_OUT_FS	001 010 011 100 101 110	Interpolator Channel 0/Channel 1 Output Sampling Rate. 24 kHz Sample Rate. 48 kHz Sample Rate. 96 kHz Sample Rate. 192 kHz Sample Rate. 384 kHz Sample Rate. 768 kHz Sample Rate.	0x5	R/W
3	RESERVED		Reserved.	0x0	R
[2:0]	FINT01_IN_FS	000 001 010 011 100 101	Interpolator Channel 0/Channel 1 Input Sampling Rate. 12 kHz Sample Rate. 24 kHz Sample Rate. 48 kHz Sample Rate. 96 kHz Sample Rate. 192 kHz Sample Rate. 384 kHz Sample Rate.	0x2	R/W

SLOW TO FAST INTERPOLATOR SAMPLE RATES CHANNEL 2 AND CHANNEL 3 REGISTER

Address: 0xC04E, Reset: 0x52, Name: FINT_CTRL2

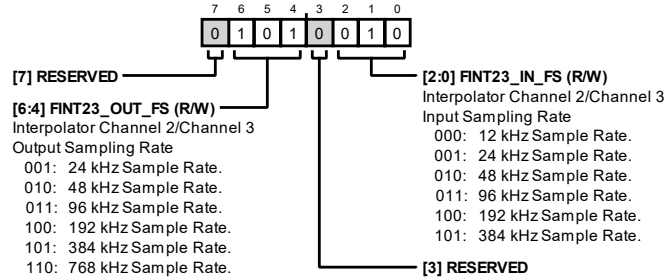


Table 118. Bit Descriptions for FINT_CTRL2

Bits	Bit Name	Settings	Description	Reset	Access
7	RESERVED		Reserved.	0x0	R
[6:4]	FINT23_OUT_FS	001 010 011 100 101 110	Interpolator Channel 2/Channel 3 Output Sampling Rate. 24 kHz Sample Rate. 48 kHz Sample Rate. 96 kHz Sample Rate. 192 kHz Sample Rate. 384 kHz Sample Rate. 768 kHz Sample Rate.	0x5	R/W
3	RESERVED		Reserved.	0x0	R
[2:0]	FINT23_IN_FS	000 001 010 011 100 101	Interpolator Channel 2/Channel 3 Input Sampling Rate. 12 kHz Sample Rate. 24 kHz Sample Rate. 48 kHz Sample Rate. 96 kHz Sample Rate. 192 kHz Sample Rate. 384 kHz Sample Rate.	0x2	R/W

SLOW TO FAST INTERPOLATOR SAMPLE RATES CHANNEL 4 AND CHANNEL 5 REGISTER

Address: 0xC04F, Reset: 0x52, Name: FINT_CTRL3

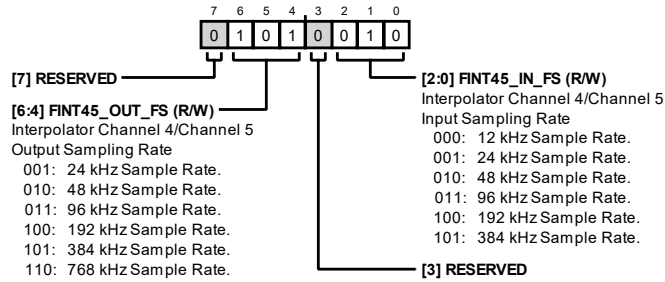


Table 119. Bit Descriptions for FINT_CTRL3

Bits	Bit Name	Settings	Description	Reset	Access
7	RESERVED		Reserved.	0x0	R
[6:4]	FINT45_OUT_FS	001 010 011 100 101 110	Interpolator Channel 4/Channel 5 Output Sampling Rate. 24 kHz Sample Rate. 48 kHz Sample Rate. 96 kHz Sample Rate. 192 kHz Sample Rate. 384 kHz Sample Rate. 768 kHz Sample Rate.	0x5	R/W
3	RESERVED		Reserved.	0x0	R
[2:0]	FINT45_IN_FS	000 001 010 011 100 101	Interpolator Channel 4/Channel 5 Input Sampling Rate. 12 kHz Sample Rate. 24 kHz Sample Rate. 48 kHz Sample Rate. 96 kHz Sample Rate. 192 kHz Sample Rate. 384 kHz Sample Rate.	0x2	R/W

SLOW TO FAST INTERPOLATOR SAMPLE RATES CHANNEL 6 AND CHANNEL 7 REGISTER

Address: 0xC050, Reset: 0x52, Name: FINT_CTRL4

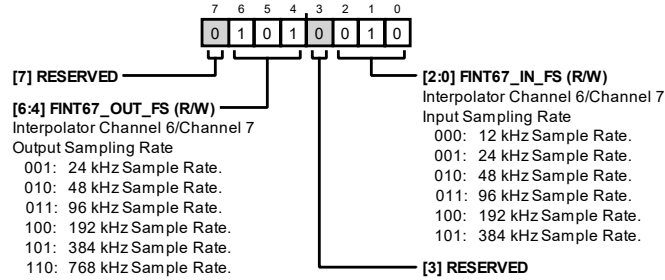


Table 120. Bit Descriptions for FINT_CTRL4

Bits	Bit Name	Settings	Description	Reset	Access
7	RESERVED		Reserved.	0x0	R
[6:4]	FINT67_OUT_FS	001 010 011 100 101 110	Interpolator Channel 6/Channel 7 Output Sampling Rate. 24 kHz Sample Rate. 48 kHz Sample Rate. 96 kHz Sample Rate. 192 kHz Sample Rate. 384 kHz Sample Rate. 768 kHz Sample Rate.	0x5	R/W
3	RESERVED		Reserved.	0x0	R
[2:0]	FINT67_IN_FS	000 001 010 011 100 101	Interpolator Channel 6/Channel 7 Input Sampling Rate. 12 kHz Sample Rate. 24 kHz Sample Rate. 48 kHz Sample Rate. 96 kHz Sample Rate. 192 kHz Sample Rate. 384 kHz Sample Rate.	0x2	R/W

SLOW TO FAST INTERPOLATOR CHANNEL 0 INPUT ROUTING REGISTER

Address: 0xC051, Reset: 0x00, Name: FINT_ROUTE0

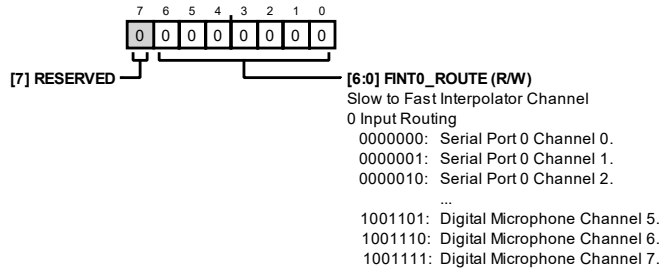


Table 121. Bit Descriptions for FINT_ROUTE0

Bits	Bit Name	Settings	Description	Reset	Access
7	RESERVED		Reserved.	0x0	R
[6:0]	FINT0_ROUTE	0000000 0000001 0000010 0000011 0000100 0000101 0000110 0000111 0001000 0001001 0001010 0001011 0001100 0001101 0001110 0001111 0010000 0010001 0010010 0010011 0010100 0010101 0010110 0010111 0011000 0011001 0011010 0011011 0011100 0011101 0011110 0011111	Slow to Fast Interpolator Channel 0 Input Routing. Serial Port 0 Channel 0. Serial Port 0 Channel 1. Serial Port 0 Channel 2. Serial Port 0 Channel 3. Serial Port 0 Channel 4. Serial Port 0 Channel 5. Serial Port 0 Channel 6. Serial Port 0 Channel 7. Serial Port 0 Channel 8. Serial Port 0 Channel 9. Serial Port 0 Channel 10. Serial Port 0 Channel 11. Serial Port 0 Channel 12. Serial Port 0 Channel 13. Serial Port 0 Channel 14. Serial Port 0 Channel 15. Serial Port 1 Channel 0. Serial Port 1 Channel 1. Serial Port 1 Channel 2. Serial Port 1 Channel 3. Serial Port 1 Channel 4. Serial Port 1 Channel 5. Serial Port 1 Channel 6. Serial Port 1 Channel 7. Serial Port 1 Channel 8. Serial Port 1 Channel 9. Serial Port 1 Channel 10. Serial Port 1 Channel 11. Serial Port 1 Channel 12. Serial Port 1 Channel 13. Serial Port 1 Channel 14. Serial Port 1 Channel 15.	0x0	R/W

Bits	Bit Name	Settings	Description	Reset	Access
		0100000	FastDSP Channel 0.		
		0100001	FastDSP Channel 1.		
		0100010	FastDSP Channel 2.		
		0100011	FastDSP Channel 3.		
		0100100	FastDSP Channel 4.		
		0100101	FastDSP Channel 5.		
		0100110	FastDSP Channel 6.		
		0100111	FastDSP Channel 7.		
		0101000	FastDSP Channel 8.		
		0101001	FastDSP Channel 9.		
		0101010	FastDSP Channel 10.		
		0101011	FastDSP Channel 11.		
		0101100	FastDSP Channel 12.		
		0101101	FastDSP Channel 13.		
		0101110	FastDSP Channel 14.		
		0101111	FastDSP Channel 15.		
		0110000	SigmaDSP Channel 0.		
		0110001	SigmaDSP Channel 1.		
		0110010	SigmaDSP Channel 2.		
		0110011	SigmaDSP Channel 3.		
		0110100	SigmaDSP Channel 4.		
		0110101	SigmaDSP Channel 5.		
		0110110	SigmaDSP Channel 6.		
		0110111	SigmaDSP Channel 7.		
		0111000	SigmaDSP Channel 8.		
		0111001	SigmaDSP Channel 9.		
		0111010	SigmaDSP Channel 10.		
		0111011	SigmaDSP Channel 11.		
		0111100	SigmaDSP Channel 12.		
		0111101	SigmaDSP Channel 13.		
		0111110	SigmaDSP Channel 14.		
		0111111	SigmaDSP Channel 15.		
		1000000	Input ASRC Channel 0.		
		1000001	Input ASRC Channel 1.		
		1000010	Input ASRC Channel 2.		
		1000011	Input ASRC Channel 3.		
		1000100	ADC Channel 0.		
		1000101	ADC Channel 1.		
		1000110	ADC Channel 2.		
		1000111	ADC Channel 3.		
		1001000	Digital Microphone Channel 0.		
		1001001	Digital Microphone Channel 1.		
		1001010	Digital Microphone Channel 2.		
		1001011	Digital Microphone Channel 3.		
		1001100	Digital Microphone Channel 4.		
		1001101	Digital Microphone Channel 5.		
		1001110	Digital Microphone Channel 6.		
		1001111	Digital Microphone Channel 7.		

SLOW TO FAST INTERPOLATOR CHANNEL 1 INPUT ROUTING REGISTER

Address: 0xC052, Reset: 0x00, Name: FINT_ROUTE1

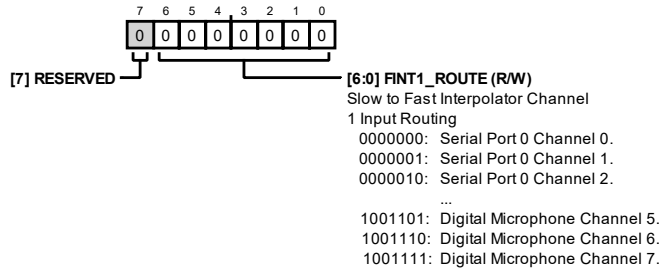


Table 122. Bit Descriptions for FINT_ROUTE1

Bits	Bit Name	Settings	Description	Reset	Access
7	RESERVED		Reserved.	0x0	R
[6:0]	FINT1_ROUTE	0000000 Serial Port 0 Channel 0. 0000001 Serial Port 0 Channel 1. 0000010 Serial Port 0 Channel 2. 0000011 Serial Port 0 Channel 3. 0000100 Serial Port 0 Channel 4. 0000101 Serial Port 0 Channel 5. 0000110 Serial Port 0 Channel 6. 0000111 Serial Port 0 Channel 7. 0001000 Serial Port 0 Channel 8. 0001001 Serial Port 0 Channel 9. 0001010 Serial Port 0 Channel 10. 0001011 Serial Port 0 Channel 11. 0001100 Serial Port 0 Channel 12. 0001101 Serial Port 0 Channel 13. 0001110 Serial Port 0 Channel 14. 0001111 Serial Port 0 Channel 15. 0010000 Serial Port 1 Channel 0. 0010001 Serial Port 1 Channel 1. 0010010 Serial Port 1 Channel 2. 0010011 Serial Port 1 Channel 3. 0010100 Serial Port 1 Channel 4. 0010101 Serial Port 1 Channel 5. 0010110 Serial Port 1 Channel 6. 0010111 Serial Port 1 Channel 7. 0011000 Serial Port 1 Channel 8. 0011001 Serial Port 1 Channel 9. 0011010 Serial Port 1 Channel 10. 0011011 Serial Port 1 Channel 11. 0011100 Serial Port 1 Channel 12. 0011101 Serial Port 1 Channel 13. 0011110 Serial Port 1 Channel 14. 0011111 Serial Port 1 Channel 15.	0x0	R/W	

Bits	Bit Name	Settings	Description	Reset	Access
		0100000	FastDSP Channel 0.		
		0100001	FastDSP Channel 1.		
		0100010	FastDSP Channel 2.		
		0100011	FastDSP Channel 3.		
		0100100	FastDSP Channel 4.		
		0100101	FastDSP Channel 5.		
		0100110	FastDSP Channel 6.		
		0100111	FastDSP Channel 7.		
		0101000	FastDSP Channel 8.		
		0101001	FastDSP Channel 9.		
		0101010	FastDSP Channel 10.		
		0101011	FastDSP Channel 11.		
		0101100	FastDSP Channel 12.		
		0101101	FastDSP Channel 13.		
		0101110	FastDSP Channel 14.		
		0101111	FastDSP Channel 15.		
		0110000	SigmaDSP Channel 0.		
		0110001	SigmaDSP Channel 1.		
		0110010	SigmaDSP Channel 2.		
		0110011	SigmaDSP Channel 3.		
		0110100	SigmaDSP Channel 4.		
		0110101	SigmaDSP Channel 5.		
		0110110	SigmaDSP Channel 6.		
		0110111	SigmaDSP Channel 7.		
		0111000	SigmaDSP Channel 8.		
		0111001	SigmaDSP Channel 9.		
		0111010	SigmaDSP Channel 10.		
		0111011	SigmaDSP Channel 11.		
		0111100	SigmaDSP Channel 12.		
		0111101	SigmaDSP Channel 13.		
		0111110	SigmaDSP Channel 14.		
		0111111	SigmaDSP Channel 15.		
		1000000	Input ASRC Channel 0.		
		1000001	Input ASRC Channel 1.		
		1000010	Input ASRC Channel 2.		
		1000011	Input ASRC Channel 3.		
		1000100	ADC Channel 0.		
		1000101	ADC Channel 1.		
		1000110	ADC Channel 2.		
		1000111	ADC Channel 3.		
		1001000	Digital Microphone Channel 0.		
		1001001	Digital Microphone Channel 1.		
		1001010	Digital Microphone Channel 2.		
		1001011	Digital Microphone Channel 3.		
		1001100	Digital Microphone Channel 4.		
		1001101	Digital Microphone Channel 5.		
		1001110	Digital Microphone Channel 6.		
		1001111	Digital Microphone Channel 7.		

SLOW TO FAST INTERPOLATOR CHANNEL 2 INPUT ROUTING REGISTER

Address: 0xC053, Reset: 0x00, Name: FINT_ROUTE2

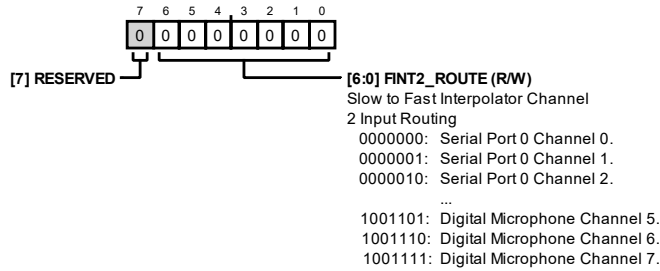


Table 123. Bit Descriptions for FINT_ROUTE2

Bits	Bit Name	Settings	Description	Reset	Access
7	RESERVED		Reserved.	0x0	R
[6:0]	FINT2_ROUTE	0000000 Serial Port 0 Channel 0. 0000001 Serial Port 0 Channel 1. 0000010 Serial Port 0 Channel 2. 0000011 Serial Port 0 Channel 3. 0000100 Serial Port 0 Channel 4. 0000101 Serial Port 0 Channel 5. 0000110 Serial Port 0 Channel 6. 0000111 Serial Port 0 Channel 7. 0001000 Serial Port 0 Channel 8. 0001001 Serial Port 0 Channel 9. 0001010 Serial Port 0 Channel 10. 0001011 Serial Port 0 Channel 11. 0001100 Serial Port 0 Channel 12. 0001101 Serial Port 0 Channel 13. 0001110 Serial Port 0 Channel 14. 0001111 Serial Port 0 Channel 15. 0010000 Serial Port 1 Channel 0. 0010001 Serial Port 1 Channel 1. 0010010 Serial Port 1 Channel 2. 0010011 Serial Port 1 Channel 3. 0010100 Serial Port 1 Channel 4. 0010101 Serial Port 1 Channel 5. 0010110 Serial Port 1 Channel 6. 0010111 Serial Port 1 Channel 7. 0011000 Serial Port 1 Channel 8. 0011001 Serial Port 1 Channel 9. 0011010 Serial Port 1 Channel 10. 0011011 Serial Port 1 Channel 11. 0011100 Serial Port 1 Channel 12. 0011101 Serial Port 1 Channel 13. 0011110 Serial Port 1 Channel 14. 0011111 Serial Port 1 Channel 15.	Slow to Fast Interpolator Channel 2 Input Routing.	0x0	R/W

Bits	Bit Name	Settings	Description	Reset	Access
		0100000	FastDSP Channel 0.		
		0100001	FastDSP Channel 1.		
		0100010	FastDSP Channel 2.		
		0100011	FastDSP Channel 3.		
		0100100	FastDSP Channel 4.		
		0100101	FastDSP Channel 5.		
		0100110	FastDSP Channel 6.		
		0100111	FastDSP Channel 7.		
		0101000	FastDSP Channel 8.		
		0101001	FastDSP Channel 9.		
		0101010	FastDSP Channel 10.		
		0101011	FastDSP Channel 11.		
		0101100	FastDSP Channel 12.		
		0101101	FastDSP Channel 13.		
		0101110	FastDSP Channel 14.		
		0101111	FastDSP Channel 15.		
		0110000	SigmaDSP Channel 0.		
		0110001	SigmaDSP Channel 1.		
		0110010	SigmaDSP Channel 2.		
		0110011	SigmaDSP Channel 3.		
		0110100	SigmaDSP Channel 4.		
		0110101	SigmaDSP Channel 5.		
		0110110	SigmaDSP Channel 6.		
		0110111	SigmaDSP Channel 7.		
		0111000	SigmaDSP Channel 8.		
		0111001	SigmaDSP Channel 9.		
		0111010	SigmaDSP Channel 10.		
		0111011	SigmaDSP Channel 11.		
		0111100	SigmaDSP Channel 12.		
		0111101	SigmaDSP Channel 13.		
		0111110	SigmaDSP Channel 14.		
		0111111	SigmaDSP Channel 15.		
		1000000	Input ASRC Channel 0.		
		1000001	Input ASRC Channel 1.		
		1000010	Input ASRC Channel 2.		
		1000011	Input ASRC Channel 3.		
		1000100	ADC Channel 0.		
		1000101	ADC Channel 1.		
		1000110	ADC Channel 2.		
		1000111	ADC Channel 3.		
		1001000	Digital Microphone Channel 0.		
		1001001	Digital Microphone Channel 1.		
		1001010	Digital Microphone Channel 2.		
		1001011	Digital Microphone Channel 3.		
		1001100	Digital Microphone Channel 4.		
		1001101	Digital Microphone Channel 5.		
		1001110	Digital Microphone Channel 6.		
		1001111	Digital Microphone Channel 7.		

SLOW TO FAST INTERPOLATOR CHANNEL 3 INPUT ROUTING REGISTER

Address: 0xC054, Reset: 0x00, Name: FINT_ROUTE3

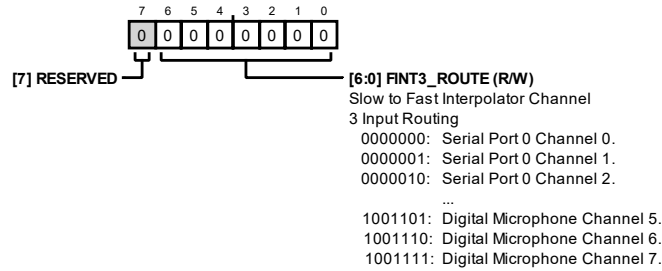


Table 124. Bit Descriptions for FINT_ROUTE3

Bits	Bit Name	Settings	Description	Reset	Access
7	RESERVED		Reserved.	0x0	R
[6:0]	FINT3_ROUTE	0000000 0000001 0000010 0000011 0000100 0000101 0000110 0000111 0001000 0001001 0001010 0001011 0001100 0001101 0001110 0001111 0010000 0010001 0010010 0010011 0010100 0010101 0010110 0010111 0011000 0011001 0011010 0011011 0011100 0011101 0011110 0011111	Slow to Fast Interpolator Channel 3 Input Routing. Serial Port 0 Channel 0. Serial Port 0 Channel 1. Serial Port 0 Channel 2. Serial Port 0 Channel 3. Serial Port 0 Channel 4. Serial Port 0 Channel 5. Serial Port 0 Channel 6. Serial Port 0 Channel 7. Serial Port 0 Channel 8. Serial Port 0 Channel 9. Serial Port 0 Channel 10. Serial Port 0 Channel 11. Serial Port 0 Channel 12. Serial Port 0 Channel 13. Serial Port 0 Channel 14. Serial Port 0 Channel 15. Serial Port 1 Channel 0. Serial Port 1 Channel 1. Serial Port 1 Channel 2. Serial Port 1 Channel 3. Serial Port 1 Channel 4. Serial Port 1 Channel 5. Serial Port 1 Channel 6. Serial Port 1 Channel 7. Serial Port 1 Channel 8. Serial Port 1 Channel 9. Serial Port 1 Channel 10. Serial Port 1 Channel 11. Serial Port 1 Channel 12. Serial Port 1 Channel 13. Serial Port 1 Channel 14. Serial Port 1 Channel 15.	0x0	R/W

Bits	Bit Name	Settings	Description	Reset	Access
		0100000	FastDSP Channel 0.		
		0100001	FastDSP Channel 1.		
		0100010	FastDSP Channel 2.		
		0100011	FastDSP Channel 3.		
		0100100	FastDSP Channel 4.		
		0100101	FastDSP Channel 5.		
		0100110	FastDSP Channel 6.		
		0100111	FastDSP Channel 7.		
		0101000	FastDSP Channel 8.		
		0101001	FastDSP Channel 9.		
		0101010	FastDSP Channel 10.		
		0101011	FastDSP Channel 11.		
		0101100	FastDSP Channel 12.		
		0101101	FastDSP Channel 13.		
		0101110	FastDSP Channel 14.		
		0101111	FastDSP Channel 15.		
		0110000	SigmaDSP Channel 0.		
		0110001	SigmaDSP Channel 1.		
		0110010	SigmaDSP Channel 2.		
		0110011	SigmaDSP Channel 3.		
		0110100	SigmaDSP Channel 4.		
		0110101	SigmaDSP Channel 5.		
		0110110	SigmaDSP Channel 6.		
		0110111	SigmaDSP Channel 7.		
		0111000	SigmaDSP Channel 8.		
		0111001	SigmaDSP Channel 9.		
		0111010	SigmaDSP Channel 10.		
		0111011	SigmaDSP Channel 11.		
		0111100	SigmaDSP Channel 12.		
		0111101	SigmaDSP Channel 13.		
		0111110	SigmaDSP Channel 14.		
		0111111	SigmaDSP Channel 15.		
		1000000	Input ASRC Channel 0.		
		1000001	Input ASRC Channel 1.		
		1000010	Input ASRC Channel 2.		
		1000011	Input ASRC Channel 3.		
		1000100	ADC Channel 0.		
		1000101	ADC Channel 1.		
		1000110	ADC Channel 2.		
		1000111	ADC Channel 3.		
		1001000	Digital Microphone Channel 0.		
		1001001	Digital Microphone Channel 1.		
		1001010	Digital Microphone Channel 2.		
		1001011	Digital Microphone Channel 3.		
		1001100	Digital Microphone Channel 4.		
		1001101	Digital Microphone Channel 5.		
		1001110	Digital Microphone Channel 6.		
		1001111	Digital Microphone Channel 7.		

SLOW TO FAST INTERPOLATOR CHANNEL 4 INPUT ROUTING REGISTER

Address: 0xC055, Reset: 0x00, Name: FINT_ROUTE4

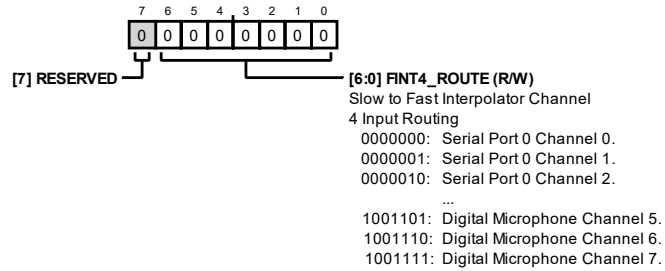


Table 125. Bit Descriptions for FINT_ROUTE4

Bits	Bit Name	Settings	Description	Reset	Access
7	RESERVED		Reserved.	0x0	R
[6:0]	FINT4_ROUTE	0000000 0000001 0000010 0000011 0000100 0000101 0000110 0000111 0001000 0001001 0001010 0001011 0001100 0001101 0001110 0001111 0010000 0010001 0010010 0010011 0010100 0010101 0010110 0010111 0011000 0011001 0011010 0011011 0011100 0011101 0011110 0011111	Slow to Fast Interpolator Channel 4 Input Routing Serial Port 0 Channel 0. Serial Port 0 Channel 1. Serial Port 0 Channel 2. Serial Port 0 Channel 3. Serial Port 0 Channel 4. Serial Port 0 Channel 5. Serial Port 0 Channel 6. Serial Port 0 Channel 7. Serial Port 0 Channel 8. Serial Port 0 Channel 9. Serial Port 0 Channel 10. Serial Port 0 Channel 11. Serial Port 0 Channel 12. Serial Port 0 Channel 13. Serial Port 0 Channel 14. Serial Port 0 Channel 15. Serial Port 1 Channel 0. Serial Port 1 Channel 1. Serial Port 1 Channel 2. Serial Port 1 Channel 3. Serial Port 1 Channel 4. Serial Port 1 Channel 5. Serial Port 1 Channel 6. Serial Port 1 Channel 7. Serial Port 1 Channel 8. Serial Port 1 Channel 9. Serial Port 1 Channel 10. Serial Port 1 Channel 11. Serial Port 1 Channel 12. Serial Port 1 Channel 13. Serial Port 1 Channel 14. Serial Port 1 Channel 15.	0x0	R/W

Bits	Bit Name	Settings	Description	Reset	Access
		0100000	FastDSP Channel 0.		
		0100001	FastDSP Channel 1.		
		0100010	FastDSP Channel 2.		
		0100011	FastDSP Channel 3.		
		0100100	FastDSP Channel 4.		
		0100101	FastDSP Channel 5.		
		0100110	FastDSP Channel 6.		
		0100111	FastDSP Channel 7.		
		0101000	FastDSP Channel 8.		
		0101001	FastDSP Channel 9.		
		0101010	FastDSP Channel 10.		
		0101011	FastDSP Channel 11.		
		0101100	FastDSP Channel 12.		
		0101101	FastDSP Channel 13.		
		0101110	FastDSP Channel 14.		
		0101111	FastDSP Channel 15.		
		0110000	SigmaDSP Channel 0.		
		0110001	SigmaDSP Channel 1.		
		0110010	SigmaDSP Channel 2.		
		0110011	SigmaDSP Channel 3.		
		0110100	SigmaDSP Channel 4.		
		0110101	SigmaDSP Channel 5.		
		0110110	SigmaDSP Channel 6.		
		0110111	SigmaDSP Channel 7.		
		0111000	SigmaDSP Channel 8.		
		0111001	SigmaDSP Channel 9.		
		0111010	SigmaDSP Channel 10.		
		0111011	SigmaDSP Channel 11.		
		0111100	SigmaDSP Channel 12.		
		0111101	SigmaDSP Channel 13.		
		0111110	SigmaDSP Channel 14.		
		0111111	SigmaDSP Channel 15.		
		1000000	Input ASRC Channel 0.		
		1000001	Input ASRC Channel 1.		
		1000010	Input ASRC Channel 2.		
		1000011	Input ASRC Channel 3.		
		1000100	ADC Channel 0.		
		1000101	ADC Channel 1.		
		1000110	ADC Channel 2.		
		1000111	ADC Channel 3.		
		1001000	Digital Microphone Channel 0.		
		1001001	Digital Microphone Channel 1.		
		1001010	Digital Microphone Channel 2.		
		1001011	Digital Microphone Channel 3.		
		1001100	Digital Microphone Channel 4.		
		1001101	Digital Microphone Channel 5.		
		1001110	Digital Microphone Channel 6.		
		1001111	Digital Microphone Channel 7.		

SLOW TO FAST INTERPOLATOR CHANNEL 5 INPUT ROUTING REGISTER

Address: 0xC056, Reset: 0x00, Name: FINT_ROUTE5

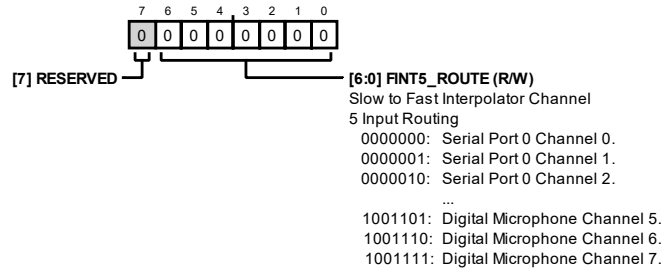


Table 126. Bit Descriptions for FINT_ROUTE5

Bits	Bit Name	Settings	Description	Reset	Access
7	RESERVED		Reserved.	0x0	R
[6:0]	FINT5_ROUTE	0000000 0000001 0000010 0000011 0000100 0000101 0000110 0000111 0001000 0001001 0001010 0001011 0001100 0001101 0001110 0001111 0010000 0010001 0010010 0010011 0010100 0010101 0010110 0010111 0011000 0011001 0011010 0011011 0011100 0011101 0011110 0011111	Slow to Fast Interpolator Channel 5 Input Routing. Serial Port 0 Channel 0. Serial Port 0 Channel 1. Serial Port 0 Channel 2. Serial Port 0 Channel 3. Serial Port 0 Channel 4. Serial Port 0 Channel 5. Serial Port 0 Channel 6. Serial Port 0 Channel 7. Serial Port 0 Channel 8. Serial Port 0 Channel 9. Serial Port 0 Channel 10. Serial Port 0 Channel 11. Serial Port 0 Channel 12. Serial Port 0 Channel 13. Serial Port 0 Channel 14. Serial Port 0 Channel 15. Serial Port 1 Channel 0. Serial Port 1 Channel 1. Serial Port 1 Channel 2. Serial Port 1 Channel 3. Serial Port 1 Channel 4. Serial Port 1 Channel 5. Serial Port 1 Channel 6. Serial Port 1 Channel 7. Serial Port 1 Channel 8. Serial Port 1 Channel 9. Serial Port 1 Channel 10. Serial Port 1 Channel 11. Serial Port 1 Channel 12. Serial Port 1 Channel 13. Serial Port 1 Channel 14. Serial Port 1 Channel 15.	0x0	R/W

Bits	Bit Name	Settings	Description	Reset	Access
		0100000	FastDSP Channel 0.		
		0100001	FastDSP Channel 1.		
		0100010	FastDSP Channel 2.		
		0100011	FastDSP Channel 3.		
		0100100	FastDSP Channel 4.		
		0100101	FastDSP Channel 5.		
		0100110	FastDSP Channel 6.		
		0100111	FastDSP Channel 7.		
		0101000	FastDSP Channel 8.		
		0101001	FastDSP Channel 9.		
		0101010	FastDSP Channel 10.		
		0101011	FastDSP Channel 11.		
		0101100	FastDSP Channel 12.		
		0101101	FastDSP Channel 13.		
		0101110	FastDSP Channel 14.		
		0101111	FastDSP Channel 15.		
		0110000	SigmaDSP Channel 0.		
		0110001	SigmaDSP Channel 1.		
		0110010	SigmaDSP Channel 2.		
		0110011	SigmaDSP Channel 3.		
		0110100	SigmaDSP Channel 4.		
		0110101	SigmaDSP Channel 5.		
		0110110	SigmaDSP Channel 6.		
		0110111	SigmaDSP Channel 7.		
		0111000	SigmaDSP Channel 8.		
		0111001	SigmaDSP Channel 9.		
		0111010	SigmaDSP Channel 10.		
		0111011	SigmaDSP Channel 11.		
		0111100	SigmaDSP Channel 12.		
		0111101	SigmaDSP Channel 13.		
		0111110	SigmaDSP Channel 14.		
		0111111	SigmaDSP Channel 15.		
		1000000	Input ASRC Channel 0.		
		1000001	Input ASRC Channel 1.		
		1000010	Input ASRC Channel 2.		
		1000011	Input ASRC Channel 3.		
		1000100	ADC Channel 0.		
		1000101	ADC Channel 1.		
		1000110	ADC Channel 2.		
		1000111	ADC Channel 3.		
		1001000	Digital Microphone Channel 0.		
		1001001	Digital Microphone Channel 1.		
		1001010	Digital Microphone Channel 2.		
		1001011	Digital Microphone Channel 3.		
		1001100	Digital Microphone Channel 4.		
		1001101	Digital Microphone Channel 5.		
		1001110	Digital Microphone Channel 6.		
		1001111	Digital Microphone Channel 7.		

SLOW TO FAST INTERPOLATOR CHANNEL 6 INPUT ROUTING REGISTER

Address: 0xC057, Reset: 0x00, Name: FINT_ROUTE6

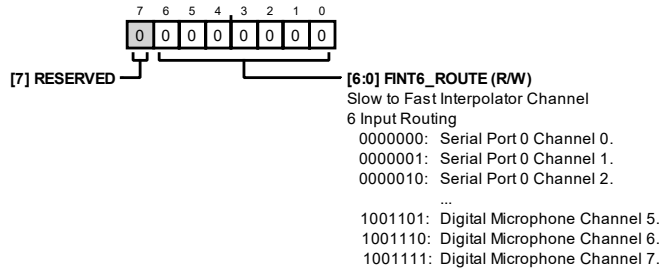


Table 127. Bit Descriptions for FINT_ROUTE6

Bits	Bit Name	Settings	Description	Reset	Access
7	RESERVED		Reserved.	0x0	R
[6:0]	FINT6_ROUTE	0000000 0000001 0000010 0000011 0000100 0000101 0000110 0000111 0001000 0001001 0001010 0001011 0001100 0001101 0001110 0001111 0010000 0010001 0010010 0010011 0010100 0010101 0010110 0010111 0011000 0011001 0011010 0011011 0011100 0011101 0011110 0011111	Slow to Fast Interpolator Channel 6 Input Routing. Serial Port 0 Channel 0. Serial Port 0 Channel 1. Serial Port 0 Channel 2. Serial Port 0 Channel 3. Serial Port 0 Channel 4. Serial Port 0 Channel 5. Serial Port 0 Channel 6. Serial Port 0 Channel 7. Serial Port 0 Channel 8. Serial Port 0 Channel 9. Serial Port 0 Channel 10. Serial Port 0 Channel 11. Serial Port 0 Channel 12. Serial Port 0 Channel 13. Serial Port 0 Channel 14. Serial Port 0 Channel 15. Serial Port 1 Channel 0. Serial Port 1 Channel 1. Serial Port 1 Channel 2. Serial Port 1 Channel 3. Serial Port 1 Channel 4. Serial Port 1 Channel 5. Serial Port 1 Channel 6. Serial Port 1 Channel 7. Serial Port 1 Channel 8. Serial Port 1 Channel 9. Serial Port 1 Channel 10. Serial Port 1 Channel 11. Serial Port 1 Channel 12. Serial Port 1 Channel 13. Serial Port 1 Channel 14. Serial Port 1 Channel 15.	0x0	R/W

Bits	Bit Name	Settings	Description	Reset	Access
		0100000	FastDSP Channel 0.		
		0100001	FastDSP Channel 1.		
		0100010	FastDSP Channel 2.		
		0100011	FastDSP Channel 3.		
		0100100	FastDSP Channel 4.		
		0100101	FastDSP Channel 5.		
		0100110	FastDSP Channel 6.		
		0100111	FastDSP Channel 7.		
		0101000	FastDSP Channel 8.		
		0101001	FastDSP Channel 9.		
		0101010	FastDSP Channel 10.		
		0101011	FastDSP Channel 11.		
		0101100	FastDSP Channel 12.		
		0101101	FastDSP Channel 13.		
		0101110	FastDSP Channel 14.		
		0101111	FastDSP Channel 15.		
		0110000	SigmaDSP Channel 0.		
		0110001	SigmaDSP Channel 1.		
		0110010	SigmaDSP Channel 2.		
		0110011	SigmaDSP Channel 3.		
		0110100	SigmaDSP Channel 4.		
		0110101	SigmaDSP Channel 5.		
		0110110	SigmaDSP Channel 6.		
		0110111	SigmaDSP Channel 7.		
		0111000	SigmaDSP Channel 8.		
		0111001	SigmaDSP Channel 9.		
		0111010	SigmaDSP Channel 10.		
		0111011	SigmaDSP Channel 11.		
		0111100	SigmaDSP Channel 12.		
		0111101	SigmaDSP Channel 13.		
		0111110	SigmaDSP Channel 14.		
		0111111	SigmaDSP Channel 15.		
		1000000	Input ASRC Channel 0.		
		1000001	Input ASRC Channel 1.		
		1000010	Input ASRC Channel 2.		
		1000011	Input ASRC Channel 3.		
		1000100	ADC Channel 0.		
		1000101	ADC Channel 1.		
		1000110	ADC Channel 2.		
		1000111	ADC Channel 3.		
		1001000	Digital Microphone Channel 0.		
		1001001	Digital Microphone Channel 1.		
		1001010	Digital Microphone Channel 2.		
		1001011	Digital Microphone Channel 3.		
		1001100	Digital Microphone Channel 4.		
		1001101	Digital Microphone Channel 5.		
		1001110	Digital Microphone Channel 6.		
		1001111	Digital Microphone Channel 7.		

SLOW TO FAST INTERPOLATOR CHANNEL 7 INPUT ROUTING REGISTER

Address: 0xC058, Reset: 0x00, Name: FINT_ROUTE7

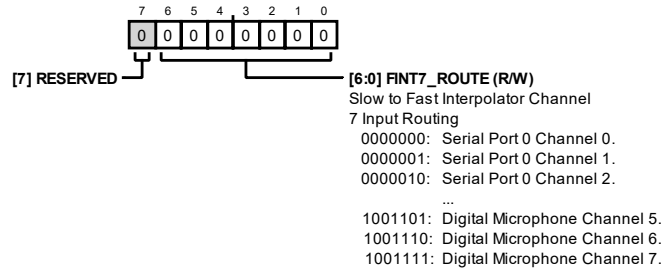


Table 128. Bit Descriptions for FINT_ROUTE7

Bits	Bit Name	Settings	Description	Reset	Access
7	RESERVED		Reserved.	0x0	R
[6:0]	FINT7_ROUTE	0000000 0000001 0000010 0000011 0000100 0000101 0000110 0000111 0001000 0001001 0001010 0001011 0001100 0001101 0001110 0001111 0010000 0010001 0010010 0010011 0010100 0010101 0010110 0010111 0011000 0011001 0011010 0011011 0011100 0011101 0011110 0011111	Slow to Fast Interpolator Channel 7 Input Routing. Serial Port 0 Channel 0. Serial Port 0 Channel 1. Serial Port 0 Channel 2. Serial Port 0 Channel 3. Serial Port 0 Channel 4. Serial Port 0 Channel 5. Serial Port 0 Channel 6. Serial Port 0 Channel 7. Serial Port 0 Channel 8. Serial Port 0 Channel 9. Serial Port 0 Channel 10. Serial Port 0 Channel 11. Serial Port 0 Channel 12. Serial Port 0 Channel 13. Serial Port 0 Channel 14. Serial Port 0 Channel 15. Serial Port 1 Channel 0. Serial Port 1 Channel 1. Serial Port 1 Channel 2. Serial Port 1 Channel 3. Serial Port 1 Channel 4. Serial Port 1 Channel 5. Serial Port 1 Channel 6. Serial Port 1 Channel 7. Serial Port 1 Channel 8. Serial Port 1 Channel 9. Serial Port 1 Channel 10. Serial Port 1 Channel 11. Serial Port 1 Channel 12. Serial Port 1 Channel 13. Serial Port 1 Channel 14. Serial Port 1 Channel 15.	0x0	R/W

Bits	Bit Name	Settings	Description	Reset	Access
		0100000	FastDSP Channel 0.		
		0100001	FastDSP Channel 1.		
		0100010	FastDSP Channel 2.		
		0100011	FastDSP Channel 3.		
		0100100	FastDSP Channel 4.		
		0100101	FastDSP Channel 5.		
		0100110	FastDSP Channel 6.		
		0100111	FastDSP Channel 7.		
		0101000	FastDSP Channel 8.		
		0101001	FastDSP Channel 9.		
		0101010	FastDSP Channel 10.		
		0101011	FastDSP Channel 11.		
		0101100	FastDSP Channel 12.		
		0101101	FastDSP Channel 13.		
		0101110	FastDSP Channel 14.		
		0101111	FastDSP Channel 15.		
		0110000	SigmaDSP Channel 0.		
		0110001	SigmaDSP Channel 1.		
		0110010	SigmaDSP Channel 2.		
		0110011	SigmaDSP Channel 3.		
		0110100	SigmaDSP Channel 4.		
		0110101	SigmaDSP Channel 5.		
		0110110	SigmaDSP Channel 6.		
		0110111	SigmaDSP Channel 7.		
		0111000	SigmaDSP Channel 8.		
		0111001	SigmaDSP Channel 9.		
		0111010	SigmaDSP Channel 10.		
		0111011	SigmaDSP Channel 11.		
		0111100	SigmaDSP Channel 12.		
		0111101	SigmaDSP Channel 13.		
		0111110	SigmaDSP Channel 14.		
		0111111	SigmaDSP Channel 15.		
		1000000	Input ASRC Channel 0.		
		1000001	Input ASRC Channel 1.		
		1000010	Input ASRC Channel 2.		
		1000011	Input ASRC Channel 3.		
		1000100	ADC Channel 0.		
		1000101	ADC Channel 1.		
		1000110	ADC Channel 2.		
		1000111	ADC Channel 3.		
		1001000	Digital Microphone Channel 0.		
		1001001	Digital Microphone Channel 1.		
		1001010	Digital Microphone Channel 2.		
		1001011	Digital Microphone Channel 3.		
		1001100	Digital Microphone Channel 4.		
		1001101	Digital Microphone Channel 5.		
		1001110	Digital Microphone Channel 6.		
		1001111	Digital Microphone Channel 7.		

INPUT ASRC CONTROL, SOURCE, AND RATE SELECTION REGISTER

Address: 0xC059, Reset: 0x02, Name: ASRCI_CTRL

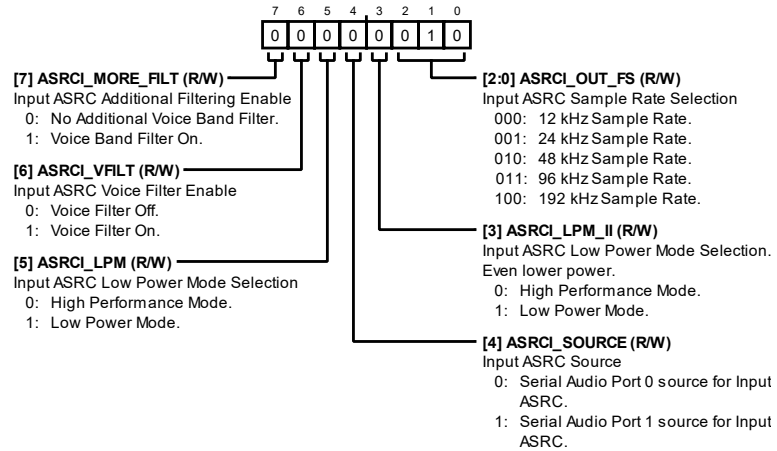


Table 129. Bit Descriptions for ASRCI_CTRL

Bits	Bit Name	Settings	Description	Reset	Access
7	ASRCI_MORE_FILTER	0 1	Input ASRC Additional Filtering Enable. This bit can enable additional filtering within the ASRC that can provide higher performance under some conditions. No Additional Voice Band Filter. Voice Band Filter On.	0x0	R/W
6	ASRCI_VFILT	0 1	Input ASRC Voice Filter Enable. Voice Filter Off. Voice Filter On.	0x0	R/W
5	ASRCI_LPM	0 1	Input ASRC Low Power Mode Selection. High Performance Mode. Low Power Mode.	0x0	R/W
4	ASRCI_SOURCE	0 1	Input ASRC Source. Serial Audio Port 0 Source for Input ASRC. Serial Audio Port 1 Source for Input ASRC.	0x0	R/W
3	ASRCI_LPM_II	0 1	Input ASRC Low Power Mode Selection. Even lower power. High Performance Mode. Low Power Mode.	0x0	R/W
[2:0]	ASRCI_OUT_FS	000 001 010 011 100	Input ASRC Sample Rate Selection. 12 kHz Sample Rate. 24 kHz Sample Rate. 48 kHz Sample Rate. 96 kHz Sample Rate. 192 kHz Sample Rate.	0x2	R/W

INPUT ASRC CHANNEL 0 AND CHANNEL 1 INPUT ROUTING REGISTER

Address: 0xC05A, Reset: 0x00, Name: ASRCI_ROUTE01

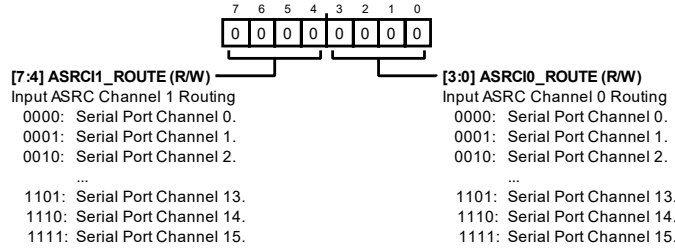


Table 130. Bit Descriptions for ASRCI_ROUTE01

Bits	Bit Name	Settings	Description	Reset	Access
[7:4]	ASRCI1_ROUTE	0000 0001 0010 0011 0100 0101 0110 0111 1000 1001 1010 1011 1100 1101 1110 1111	Input ASRC Channel 1 Routing. Serial Port Channel 0. Serial Port Channel 1. Serial Port Channel 2. Serial Port Channel 3. Serial Port Channel 4. Serial Port Channel 5. Serial Port Channel 6. Serial Port Channel 7. Serial Port Channel 8. Serial Port Channel 9. Serial Port Channel 10. Serial Port Channel 11. Serial Port Channel 12. Serial Port Channel 13. Serial Port Channel 14. Serial Port Channel 15.	0x0	R/W
[3:0]	ASRCI0_ROUTE	0000 0001 0010 0011 0100 0101 0110 0111 1000 1001 1010 1011 1100 1101 1110 1111	Input ASRC Channel 0 Routing. Serial Port Channel 0. Serial Port Channel 1. Serial Port Channel 2. Serial Port Channel 3. Serial Port Channel 4. Serial Port Channel 5. Serial Port Channel 6. Serial Port Channel 7. Serial Port Channel 8. Serial Port Channel 9. Serial Port Channel 10. Serial Port Channel 11. Serial Port Channel 12. Serial Port Channel 13. Serial Port Channel 14. Serial Port Channel 15.	0x0	R/W

INPUT ASRC CHANNEL 2 AND CHANNEL 3 INPUT ROUTING REGISTER

Address: 0xC05B, Reset: 0x00, Name: ASRCI_ROUTE23

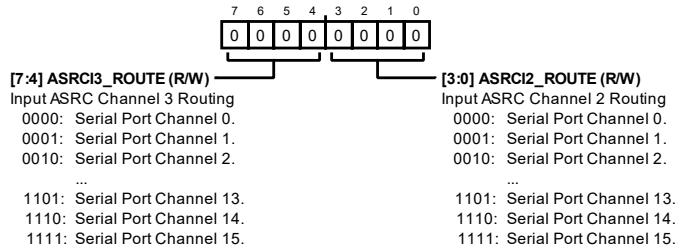


Table 131. Bit Descriptions for ASRCI_ROUTE23

Bits	Bit Name	Settings	Description	Reset	Access
[7:4]	ASRCI3_ROUTE	0000 0001 0010 0011 0100 0101 0110 0111 1000 1001 1010 1011 1100 1101 1110 1111	Input ASRC Channel 3 Routing. Serial Port Channel 0. Serial Port Channel 1. Serial Port Channel 2. Serial Port Channel 3. Serial Port Channel 4. Serial Port Channel 5. Serial Port Channel 6. Serial Port Channel 7. Serial Port Channel 8. Serial Port Channel 9. Serial Port Channel 10. Serial Port Channel 11. Serial Port Channel 12. Serial Port Channel 13. Serial Port Channel 14. Serial Port Channel 15.	0x0	R/W
[3:0]	ASRCI2_ROUTE	0000 0001 0010 0011 0100 0101 0110 0111 1000 1001 1010 1011 1100 1101 1110 1111	Input ASRC Channel 2 Routing. Serial Port Channel 0. Serial Port Channel 1. Serial Port Channel 2. Serial Port Channel 3. Serial Port Channel 4. Serial Port Channel 5. Serial Port Channel 6. Serial Port Channel 7. Serial Port Channel 8. Serial Port Channel 9. Serial Port Channel 10. Serial Port Channel 11. Serial Port Channel 12. Serial Port Channel 13. Serial Port Channel 14. Serial Port Channel 15.	0x0	R/W

OUTPUT ASRC CONTROL REGISTER

Address: 0xC05C, Reset: 0x02, Name: ASRCO_CTRL

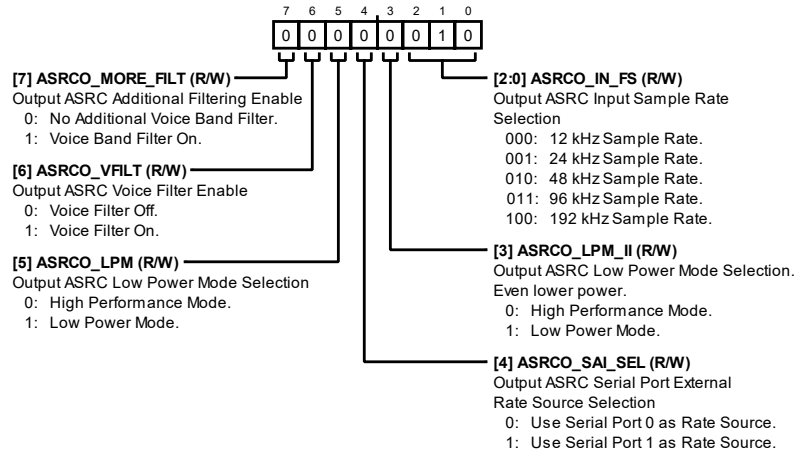


Table 132. Bit Descriptions for ASRCO_CTRL

Bits	Bit Name	Settings	Description	Reset	Access
7	ASRCO_MORE_FILT	0 1	Output ASRC Additional Filtering Enable. This bit can enable additional filtering within the ASRC that can provide higher performance under some conditions. No Additional Voice Band Filter. Voice Band Filter On.	0x0	R/W
6	ASRCO_VFILT	0 1	Output ASRC Voice Filter Enable. Voice Filter Off. Voice Filter On.	0x0	R/W
5	ASRCO_LPM	0 1	Output ASRC Low Power Mode Selection. High Performance Mode. Low Power Mode.	0x0	R/W
4	ASRCO_SAI_SEL	0 1	Output ASRC Serial Port External Rate Source Selection. Use Serial Port 0 as Rate Source. Use Serial Port 1 as Rate Source.	0x0	R/W
3	ASRCO_LPM_II	0 1	Output ASRC Low Power Mode Selection. Even lower power. High Performance Mode. Low Power Mode.	0x0	R/W
[2:0]	ASRCO_IN_FS	000 001 010 011 100	Output ASRC Input Sample Rate Selection. 12 kHz Sample Rate. 24 kHz Sample Rate. 48 kHz Sample Rate. 96 kHz Sample Rate. 192 kHz Sample Rate.	0x2	R/W

OUTPUT ASRC CHANNEL 0 INPUT ROUTING REGISTER

Address: 0xC05D, Reset: 0x00, Name: ASRCO_ROUTE0

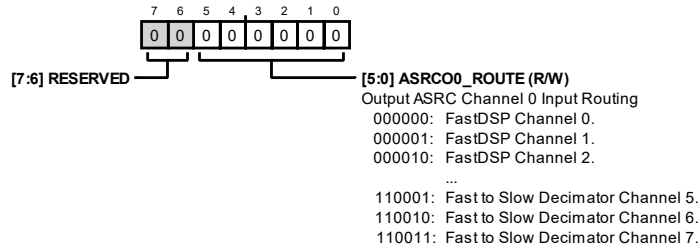


Table 133. Bit Descriptions for ASRCO_ROUTE0

Bits	Bit Name	Settings	Description	Reset	Access
[7:6]	RESERVED		Reserved.	0x0	R
[5:0]	ASRCO_ROUTE	000000 000001 000010 000011 000100 000101 000110 000111 001000 001001 001010 001011 001100 001101 001110 001111 010000 010001 010010 010011 010100 010101 010110 010111 011000 011001 011010 011011 011100 011101 011110 011111 100000 100001 100010 100011	Output ASRC Channel 0 Input Routing. FastDSP Channel 0. FastDSP Channel 1. FastDSP Channel 2. FastDSP Channel 3. FastDSP Channel 4. FastDSP Channel 5. FastDSP Channel 6. FastDSP Channel 7. FastDSP Channel 8. FastDSP Channel 9. FastDSP Channel 10. FastDSP Channel 11. FastDSP Channel 12. FastDSP Channel 13. FastDSP Channel 14. FastDSP Channel 15. SigmaDSP Channel 0. SigmaDSP Channel 1. SigmaDSP Channel 2. SigmaDSP Channel 3. SigmaDSP Channel 4. SigmaDSP Channel 5. SigmaDSP Channel 6. SigmaDSP Channel 7. SigmaDSP Channel 8. SigmaDSP Channel 9. SigmaDSP Channel 10. SigmaDSP Channel 11. SigmaDSP Channel 12. SigmaDSP Channel 13. SigmaDSP Channel 14. SigmaDSP Channel 15. ADC Channel 0. ADC Channel 1. ADC Channel 2. ADC Channel 3.	0x0	R/W

Bits	Bit Name	Settings	Description	Reset	Access
		100100	Digital Microphone Channel 0.		
		100101	Digital Microphone Channel 1.		
		100110	Digital Microphone Channel 2.		
		100111	Digital Microphone Channel 3.		
		101000	Digital Microphone Channel 4.		
		101001	Digital Microphone Channel 5.		
		101010	Digital Microphone Channel 6.		
		101011	Digital Microphone Channel 7.		
		101100	Fast to Slow Decimator Channel 0.		
		101101	Fast to Slow Decimator Channel 1.		
		101110	Fast to Slow Decimator Channel 2.		
		101111	Fast to Slow Decimator Channel 3.		
		110000	Fast to Slow Decimator Channel 4.		
		110001	Fast to Slow Decimator Channel 5.		
		110010	Fast to Slow Decimator Channel 6.		
		110011	Fast to Slow Decimator Channel 7.		

OUTPUT ASRC CHANNEL 1 INPUT ROUTING REGISTER

Address: 0xC05E, Reset: 0x00, Name: ASRCO_ROUTE1

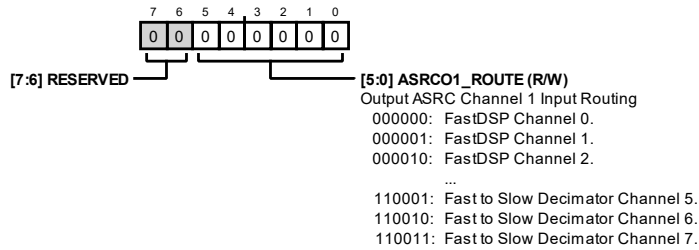


Table 134. Bit Descriptions for ASRCO_ROUTE1

Bits	Bit Name	Settings	Description	Reset	Access
[7:6]	RESERVED		Reserved.	0x0	R
[5:0]	ASRCO1_ROUTE	000000 000001 000010 000011 000100 000101 000110 000111 001000 001001 001010 001011 001100 001101 001110 001111	Output ASRC Channel 1 Input Routing. FastDSP Channel 0. FastDSP Channel 1. FastDSP Channel 2. FastDSP Channel 3. FastDSP Channel 4. FastDSP Channel 5. FastDSP Channel 6. FastDSP Channel 7. FastDSP Channel 8. FastDSP Channel 9. FastDSP Channel 10. FastDSP Channel 11. FastDSP Channel 12. FastDSP Channel 13. FastDSP Channel 14. FastDSP Channel 15.	0x0	R/W

Bits	Bit Name	Settings	Description	Reset	Access
		010000	SigmaDSP Channel 0.		
		010001	SigmaDSP Channel 1.		
		010010	SigmaDSP Channel 2.		
		010011	SigmaDSP Channel 3.		
		010100	SigmaDSP Channel 4.		
		010101	SigmaDSP Channel 5.		
		010110	SigmaDSP Channel 6.		
		010111	SigmaDSP Channel 7.		
		011000	SigmaDSP Channel 8.		
		011001	SigmaDSP Channel 9.		
		011010	SigmaDSP Channel 10.		
		011011	SigmaDSP Channel 11.		
		011100	SigmaDSP Channel 12.		
		011101	SigmaDSP Channel 13.		
		011110	SigmaDSP Channel 14.		
		011111	SigmaDSP Channel 15.		
		100000	ADC Channel 0.		
		100001	ADC Channel 1.		
		100010	ADC Channel 2.		
		100011	ADC Channel 3.		
		100100	Digital Microphone Channel 0.		
		100101	Digital Microphone Channel 1.		
		100110	Digital Microphone Channel 2.		
		100111	Digital Microphone Channel 3.		
		101000	Digital Microphone Channel 4.		
		101001	Digital Microphone Channel 5.		
		101010	Digital Microphone Channel 6.		
		101011	Digital Microphone Channel 7.		
		101100	Fast to Slow Decimator Channel 0.		
		101101	Fast to Slow Decimator Channel 1.		
		101110	Fast to Slow Decimator Channel 2.		
		101111	Fast to Slow Decimator Channel 3.		
		110000	Fast to Slow Decimator Channel 4.		
		110001	Fast to Slow Decimator Channel 5.		
		110010	Fast to Slow Decimator Channel 6.		
		110011	Fast to Slow Decimator Channel 7.		

OUTPUT ASRC CHANNEL 2 INPUT ROUTING REGISTER

Address: 0xC05F, Reset: 0x00, Name: ASRCO_ROUTE2

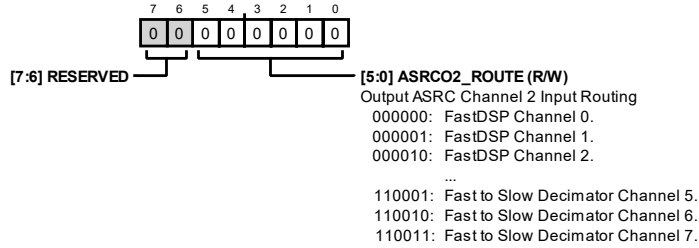


Table 135. Bit Descriptions for ASRCO_ROUTE2

Bits	Bit Name	Settings	Description	Reset	Access
[7:6]	RESERVED		Reserved.	0x0	R
[5:0]	ASRCO2_ROUTE	000000 FastDSP Channel 0. 000001 FastDSP Channel 1. 000010 FastDSP Channel 2. 000011 FastDSP Channel 3. 000100 FastDSP Channel 4. 000101 FastDSP Channel 5. 000110 FastDSP Channel 6. 000111 FastDSP Channel 7. 001000 FastDSP Channel 8. 001001 FastDSP Channel 9. 001010 FastDSP Channel 10. 001011 FastDSP Channel 11. 001100 FastDSP Channel 12. 001101 FastDSP Channel 13. 001110 FastDSP Channel 14. 001111 FastDSP Channel 15. 010000 SigmaDSP Channel 0. 010001 SigmaDSP Channel 1. 010010 SigmaDSP Channel 2. 010011 SigmaDSP Channel 3. 010100 SigmaDSP Channel 4. 010101 SigmaDSP Channel 5. 010110 SigmaDSP Channel 6. 010111 SigmaDSP Channel 7. 011000 SigmaDSP Channel 8. 011001 SigmaDSP Channel 9. 011010 SigmaDSP Channel 10. 011011 SigmaDSP Channel 11. 011100 SigmaDSP Channel 12. 011101 SigmaDSP Channel 13. 011110 SigmaDSP Channel 14. 011111 SigmaDSP Channel 15. 100000 ADC Channel 0. 100001 ADC Channel 1. 100010 ADC Channel 2. 100011 ADC Channel 3.	Output ASRC Channel 2 Input Routing	0x0	R/W

Bits	Bit Name	Settings	Description	Reset	Access
		100100	Digital Microphone Channel 0.		
		100101	Digital Microphone Channel 1.		
		100110	Digital Microphone Channel 2.		
		100111	Digital Microphone Channel 3.		
		101000	Digital Microphone Channel 4.		
		101001	Digital Microphone Channel 5.		
		101010	Digital Microphone Channel 6.		
		101011	Digital Microphone Channel 7.		
		101100	Fast to Slow Decimator Channel 0.		
		101101	Fast to Slow Decimator Channel 1.		
		101110	Fast to Slow Decimator Channel 2.		
		101111	Fast to Slow Decimator Channel 3.		
		110000	Fast to Slow Decimator Channel 4.		
		110001	Fast to Slow Decimator Channel 5.		
		110010	Fast to Slow Decimator Channel 6.		
		110011	Fast to Slow Decimator Channel 7.		

OUTPUT ASRC CHANNEL 3 INPUT ROUTING REGISTER

Address: 0xC060, Reset: 0x00, Name: ASRCO_ROUTE3

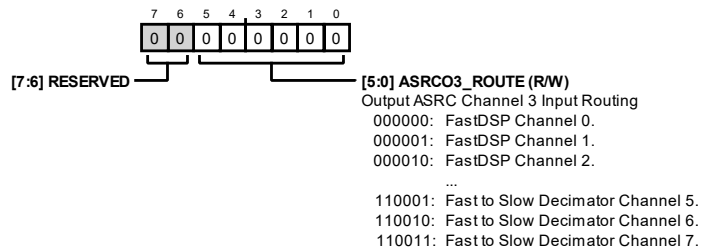


Table 136. Bit Descriptions for ASRCO_ROUTE3

Bits	Bit Name	Settings	Description	Reset	Access
[7:6]	RESERVED		Reserved.	0x0	R
[5:0]	ASRCO3_ROUTE	000000	FastDSP Channel 0.	0x0	R/W
		000001	FastDSP Channel 1.		
		000010	FastDSP Channel 2.		
		000011	FastDSP Channel 3.		
		000100	FastDSP Channel 4.		
		000101	FastDSP Channel 5.		
		000110	FastDSP Channel 6.		
		000111	FastDSP Channel 7.		
		001000	FastDSP Channel 8.		
		001001	FastDSP Channel 9.		
		001010	FastDSP Channel 10.		
		001011	FastDSP Channel 11.		
		001100	FastDSP Channel 12.		
		001101	FastDSP Channel 13.		
		001110	FastDSP Channel 14.		
		001111	FastDSP Channel 15.		

Bits	Bit Name	Settings	Description	Reset	Access
		010000	SigmaDSP Channel 0.		
		010001	SigmaDSP Channel 1.		
		010010	SigmaDSP Channel 2.		
		010011	SigmaDSP Channel 3.		
		010100	SigmaDSP Channel 4.		
		010101	SigmaDSP Channel 5.		
		010110	SigmaDSP Channel 6.		
		010111	SigmaDSP Channel 7.		
		011000	SigmaDSP Channel 8.		
		011001	SigmaDSP Channel 9.		
		011010	SigmaDSP Channel 10.		
		011011	SigmaDSP Channel 11.		
		011100	SigmaDSP Channel 12.		
		011101	SigmaDSP Channel 13.		
		011110	SigmaDSP Channel 14.		
		011111	SigmaDSP Channel 15.		
		100000	ADC Channel 0.		
		100001	ADC Channel 1.		
		100010	ADC Channel 2.		
		100011	ADC Channel 3.		
		100100	Digital Microphone Channel 0.		
		100101	Digital Microphone Channel 1.		
		100110	Digital Microphone Channel 2.		
		100111	Digital Microphone Channel 3.		
		101000	Digital Microphone Channel 4.		
		101001	Digital Microphone Channel 5.		
		101010	Digital Microphone Channel 6.		
		101011	Digital Microphone Channel 7.		
		101100	Fast to Slow Decimator Channel 0.		
		101101	Fast to Slow Decimator Channel 1.		
		101110	Fast to Slow Decimator Channel 2.		
		101111	Fast to Slow Decimator Channel 3.		
		110000	Fast to Slow Decimator Channel 4.		
		110001	Fast to Slow Decimator Channel 5.		
		110010	Fast to Slow Decimator Channel 6.		
		110011	Fast to Slow Decimator Channel 7.		

FastDSP RUN REGISTER

Address: 0xC061, Reset: 0x00, Name: FDSP_RUN

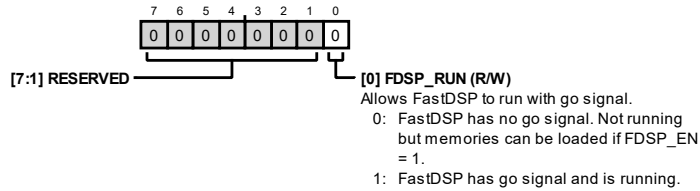


Table 137. Bit Descriptions for FDSP_RUN

Bits	Bit Name	Settings	Description	Reset	Access
[7:1]	RESERVED		Reserved.	0x0	R
0	FDSP_RUN	0 1	Allows FastDSP to run with go signal. FastDSP has no go signal. Not running but memories can be loaded if FDSP_EN = 1. FastDSP has go signal and is running.	0x0	R/W

FastDSP CURRENT BANK AND BANK RAMPING CONTROLS REGISTER

Address: 0xC062, Reset: 0x70, Name: FDSP_CTRL1

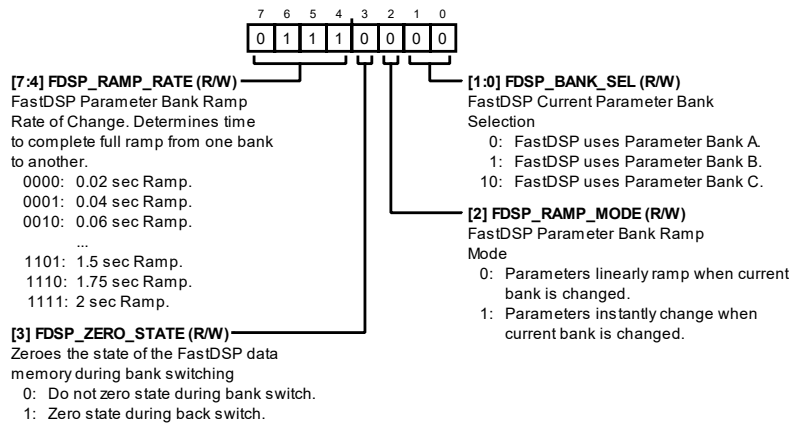


Table 138. Bit Descriptions for FDSP_CTRL1

Bits	Bit Name	Settings	Description	Reset	Access
[7:4]	FDSP_RAMP_RATE	0000 0001 0010 0011 0100 0101 0110 0111 1000 1001 1010 1011 1100	FastDSP Parameter Bank Ramp Rate of Change. Determines time to complete full ramp from one bank to another. 0.02 sec Ramp. 0.04 sec Ramp. 0.06 sec Ramp. ... 1.5 sec Ramp. 1.75 sec Ramp. 2 sec Ramp.	0x7	R/W
3	FDSP_ZERO_STATE	0 1	Zeros the state of the FastDSP data memory during bank switching. 0: Do not zero state during bank switch. 1: Zero state during back switch.		
2	FDSP_RAMP_MODE	0 1	FastDSP Parameter Bank Ramp Mode 0: Parameters linearly ramp when current bank is changed. 1: Parameters instantly change when current bank is changed.		
[1:0]	FDSP_BANK_SEL	0 1 10	FastDSP Current Parameter Bank Selection 0: FastDSP uses Parameter Bank A. 1: FastDSP uses Parameter Bank B. 10: FastDSP uses Parameter Bank C.		

Bits	Bit Name	Settings	Description	Reset	Access
		1101 1110 1111	1.5 sec Ramp. 1.75 sec Ramp. 2 sec Ramp.		
3	FDSP_ZERO_STATE	0 1	Zeroes the state of the FastDSP data memory during bank switching. When switching active parameter banks between two settings, zeroing the state of the bank prevents the new filter settings from being active on old data that is recirculating in filters. Zeroing the state may prevent filter instability or unwanted noises upon bank switching. Do not zero state during bank switch. Zero state during back switch.	0x0	R/W
2	FDSP_RAMP_MODE	0 1	FastDSP Parameter Bank Ramp Mode. Parameters linearly ramp when current bank is changed. Parameters instantly change when current bank is changed.	0x0	R/W
[1:0]	FDSP_BANK_SEL	0 1 10	FastDSP Current Parameter Bank Selection. FastDSP uses Parameter Bank A. FastDSP uses Parameter Bank B. FastDSP uses Parameter Bank C.	0x0	R/W

FastDSP BANK RAMPING STOP POINT REGISTER

Address: 0xC063, Reset: 0x3F, Name: FDSP_CTRL2

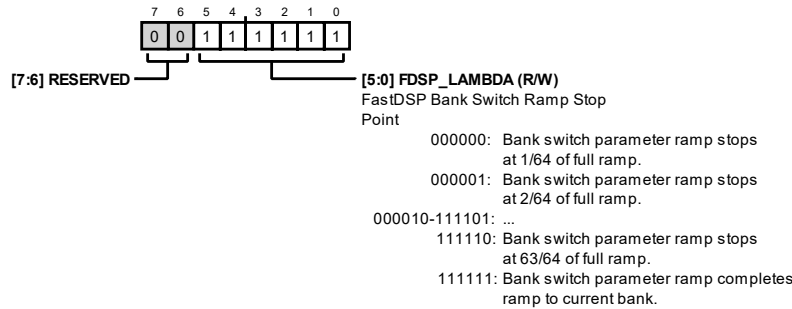


Table 139. Bit Descriptions for FDSP_CTRL2

Bits	Bit Name	Settings	Description	Reset	Access
[7:6]	RESERVED		Reserved.	0x0	R
[5:0]	FDSP_LAMBDA	000000 000001 000010 to 111101 111110 111111	FastDSP Bank Switch Ramp Stop Point. Lambda is a 6-bit value representing the point along the linear interpolation curve between two banks at which the bank ramp switch stops. $0 = ((63/64) \times A + (1/64) \times B)$, $1 = ((62/64) \times A + (2/64) \times B)$, ..., $62 = ((1/64) \times A + (63/64) \times B)$, and $63 = B$ (default) lambda can be updated on-the-fly via the control interface. To complete a bank switch, a value of 63 (default setting) must be set. Actual current ramp point (FDSP_CURRENT_LAMBDA: 0 to 63) can be read via a status register. When this point reaches 63, the bank switch is complete, and the current parameters used match the current bank. The actual step size of the linear interpolation is ~12 bits (4096 steps). Parameters in banks that are being ramped between must not change during a bank switch. Bank switch parameter ramp stops at 1/64 of full ramp. Bank switch parameter ramp stops at 2/64 of full ramp. ... Bank switch parameter ramp stops at 63/64 of full ramp. Bank switch parameter ramp completes ramp to current bank.	0x3F	R/W

FastDSP BANK COPYING REGISTER

Address: 0xC064, Reset: 0x00, Name: FDSP_CTRL3

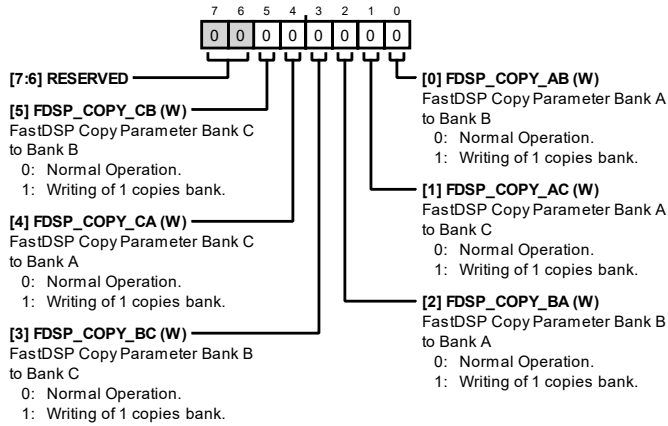


Table 140. Bit Descriptions for FDSP_CTRL3

Bits	Bit Name	Settings	Description	Reset	Access
[7:6]	RESERVED		Reserved.	0x0	R
5	FDSP_COPY_CB	0 1	FastDSP Copy Parameter Bank C to Bank B. Normal Operation. Writing of 1 copies bank.	0x0	W
4	FDSP_COPY_CA	0 1	FastDSP Copy Parameter Bank C to Bank A. Normal Operation. Writing of 1 copies bank.	0x0	W
3	FDSP_COPY_BC	0 1	FastDSP Copy Parameter Bank B to Bank C. Normal Operation. Writing of 1 copies bank.	0x0	W
2	FDSP_COPY_BA	0 1	FastDSP Copy Parameter Bank B to Bank A Normal Operation. Writing of 1 copies bank.	0x0	W
1	FDSP_COPY_AC	0 1	FastDSP Copy Parameter Bank A to Bank C. Normal Operation. Writing of 1 copies bank.	0x0	W
0	FDSP_COPY_AB	0 1	FastDSP Copy Parameter Bank A to Bank B. Normal Operation. Writing of 1 copies bank.	0x0	W

FastDSP FRAME RATE SOURCE REGISTER

Address: 0xC065, Reset: 0x00, Name: FDSP_CTRL4

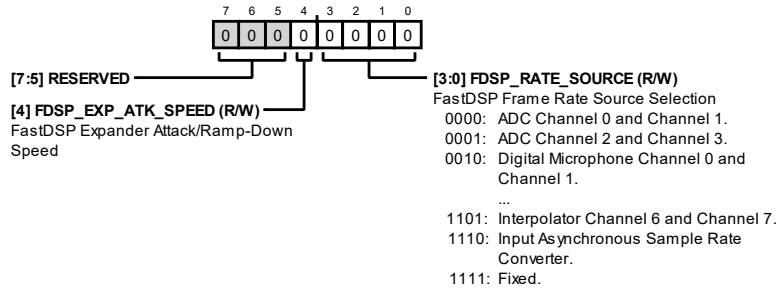


Table 141. Bit Descriptions for FDSP_CTRL4

Bits	Bit Name	Settings	Description	Reset	Access
[7:5]	RESERVED		Reserved.	0x0	R
4	FDSP_EXP_ATK_SPEED		FastDSP Expander Attack/Ramp-Down Speed.	0x0	R/W
[3:0]	FDSP_RATE_SOURCE		FastDSP Frame Rate Source. 0000 ADC Channel 0 and Channel 1. 0001 ADC Channel 2 and Channel 3. 0010 Digital Microphone Channel 0 and Channel 1. 0011 Digital Microphone Channel 2 and Channel 3. 0100 Digital Microphone Channel 4 and Channel 5. 0101 Digital Microphone Channel 6 and Channel 7. 0110 Serial Audio Interface 0. 0111 Serial Audio Interface 1. 1010 Interpolator Channel 0 and Channel 1. 1011 Interpolator Channel 2 and Channel 3. 1100 Interpolator Channel 4 and Channel 5. 1101 Interpolator Channel 6 and Channel 7. 1110 Input Asynchronous Sample Rate Converter. 1111 Fixed.	0x0	R/W

FastDSP FIXED RATE DIVISION MSBs REGISTER

Address: 0xC066, Reset: 0x00, Name: FDSP_CTRL5

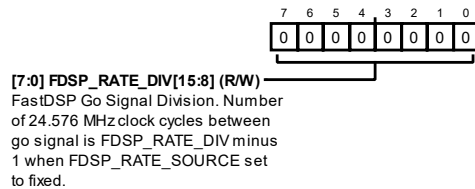
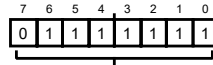


Table 142. Bit Descriptions for FDSP_CTRL5

Bits	Bit Name	Settings	Description	Reset	Access
[7:0]	FDSP_RATE_DIV[15:8]		FastDSP Go Signal Division. Number of 24.576 MHz clock cycles between go signal is FDSP_RATE_DIV minus 1 when FDSP_RATE_SOURCE set to fixed.	0x0	R/W

FastDSP FIXED RATE DIVISION LSBs REGISTER

Address: 0xC067, Reset: 0x7F, Name: FDSP_CTRL6



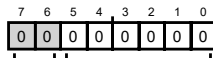
[7:0] FDSP_RATE_DIV[7:0] (R/W)
FastDSP Go Signal Division. Number of 24.576 MHz clock cycles between go signal is FDSP_RATE_DIV minus 1 when FDSP_RATE_SOURCE set to fixed.

Table 143. Bit Descriptions for FDSP_CTRL6

Bits	Bit Name	Settings	Description	Reset	Access
[7:0]	FDSP_RATE_DIV[7:0]		FastDSP Go Signal Division. Number of 24.576 MHz clock cycles between go signal is FDSP_RATE_DIV minus 1 when FDSP_RATE_SOURCE set to fixed.	0x7F	R/W

FastDSP MODULO N COUNTER FOR LOWER RATE CONDITIONAL EXECUTION REGISTER

Address: 0xC068, Reset: 0x00, Name: FDSP_CTRL7



[7:6] RESERVED

[5:0] FDSP_MOD_N (R/W)
FastDSP Modulo N Counter Reset for Conditional Execution.

Table 144. Bit Descriptions for FDSP_CTRL7

Bits	Bit Name	Settings	Description	Reset	Access
[7:6]	RESERVED		Reserved.	0x0	R
[5:0]	FDSP_MOD_N		FastDSP Modulo N Counter Reset for Conditional Execution.	0x0	R/W

FastDSP GENERIC CONDITIONAL EXECUTION REGISTERS

Address: 0xC069, Reset: 0x00, Name: FDSP_CTRL8

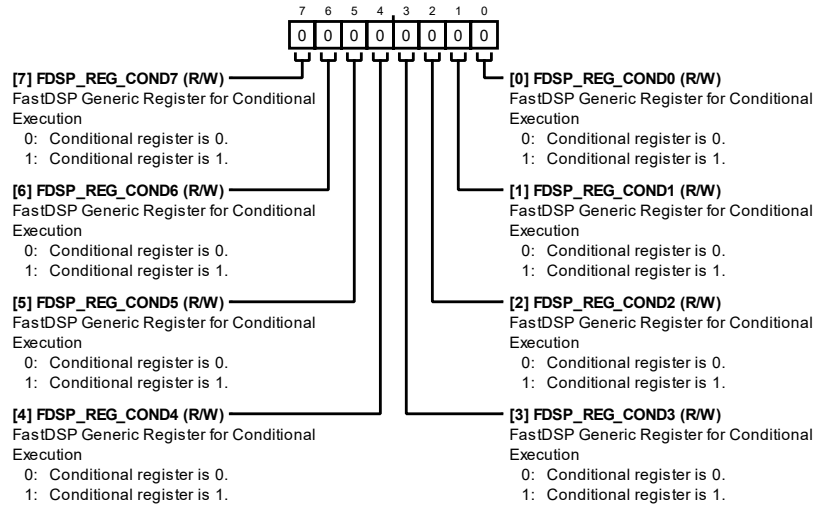


Table 145. Bit Descriptions for FDSP_CTRL8

Bits	Bit Name	Settings	Description	Reset	Access
7	FDSP_REG_COND7	0 1	FastDSP Generic Register for Conditional Execution. The value of this register can be used for conditional instruction execution in the FastDSP. 0 Conditional register is 0. 1 Conditional register is 1.	0x0	R/W
6	FDSP_REG_COND6	0 1	FastDSP Generic Register for Conditional Execution. The value of this register can be used for conditional instruction execution in the FastDSP. 0 Conditional register is 0. 1 Conditional register is 1.	0x0	R/W
5	FDSP_REG_COND5	0 1	FastDSP Generic Register for Conditional Execution. The value of this register can be used for conditional instruction execution in the FastDSP. 0 Conditional register is 0. 1 Conditional register is 1.	0x0	R/W
4	FDSP_REG_COND4	0 1	FastDSP Generic Register for Conditional Execution. The value of this register can be used for conditional instruction execution in the FastDSP. 0 Conditional register is 0. 1 Conditional register is 1.	0x0	R/W
3	FDSP_REG_COND3	0 1	FastDSP Generic Register for Conditional Execution. The value of this register can be used for conditional instruction execution in the FastDSP. 0 Conditional register is 0. 1 Conditional register is 1.	0x0	R/W
2	FDSP_REG_COND2	0 1	FastDSP Generic Register for Conditional Execution. The value of this register can be used for conditional instruction execution in the FastDSP. 0 Conditional register is 0. 1 Conditional register is 1.	0x0	R/W
1	FDSP_REG_COND1	0 1	FastDSP Generic Register for Conditional Execution. The value of this register can be used for conditional instruction execution in the FastDSP. 0 Conditional register is 0. 1 Conditional register is 1.	0x0	R/W
0	FDSP_REG_COND0	0 1	FastDSP Generic Register for Conditional Execution. The value of this register can be used for conditional instruction execution in the FastDSP. 0 Conditional register is 0. 1 Conditional register is 1.	0x0	R/W

FastDSP SAFELOAD ADDRESS REGISTER

Address: 0xC06A, Reset: 0x00, Name: FDSP_SL_ADDR

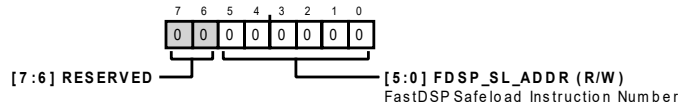


Table 146. Bit Descriptions for FDSP_SL_ADDR

Bits	Bit Name	Settings	Description	Reset	Access
[7:6]	RESERVED		Reserved.	0x0	R
[5:0]	FDSP_SL_ADDR		FastDSP Safeload Instruction Number.	0x0	R/W

FastDSP SAFELOAD PARAMETER 0 VALUE REGISTERS

Address: 0xC06B, Reset: 0x00, Name: FDSP_SL_P0_3

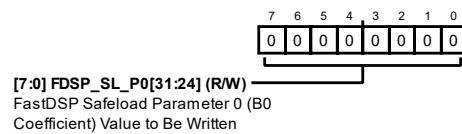


Table 147. Bit Descriptions for FDSP_SL_P0_3

Bits	Bit Name	Settings	Description	Reset	Access
[7:0]	FDSP_SL_P0[31:24]		FastDSP Safeload Parameter 0 (B0 Coefficient) Value to Be Written	0x0	R/W

Address: 0xC06C, Reset: 0x00, Name: FDSP_SL_P0_2

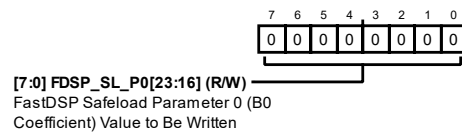


Table 148. Bit Descriptions for FDSP_SL_P0_2

Bits	Bit Name	Settings	Description	Reset	Access
[7:0]	FDSP_SL_P0[23:16]		FastDSP Safeload Parameter 0 (B0 Coefficient) Value to Be Written	0x0	R/W

Address: 0xC06D, Reset: 0x00, Name: FDSP_SL_P0_1

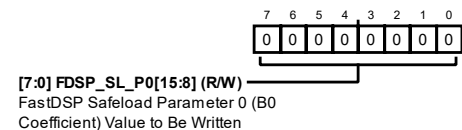


Table 149. Bit Descriptions for FDSP_SL_P0_1

Bits	Bit Name	Settings	Description	Reset	Access
[7:0]	FDSP_SL_P0[15:8]		FastDSP Safeload Parameter 0 (B0 Coefficient) Value to Be Written	0x0	R/W

Address: 0xC06E, Reset: 0x00, Name: FDSP_SL_P0_0

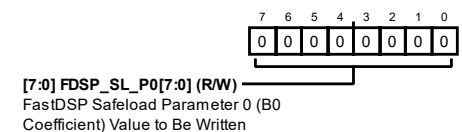
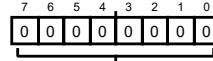


Table 150. Bit Descriptions for FDSP_SL_P0_0

Bits	Bit Name	Settings	Description	Reset	Access
[7:0]	FDSP_SL_P0[7:0]		FastDSP Safeload Parameter 0 (B0 Coefficient) Value to Be Written	0x0	R/W

FastDSP SAFELOAD PARAMETER 1 VALUE REGISTERS

Address: 0xC06F, Reset: 0x00, Name: FDSP_SL_P1_3

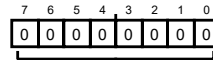


[7:0] FDSP_SL_P1[31:24] (R/W)
FastDSP Safeload Parameter 1 (B1 Coefficient) Value to Be Written

Table 151. Bit Descriptions for FDSP_SL_P1_3

Bits	Bit Name	Settings	Description	Reset	Access
[7:0]	FDSP_SL_P1[31:24]		FastDSP Safeload Parameter 1 (B1 Coefficient) Value to Be Written	0x0	R/W

Address: 0xC070, Reset: 0x00, Name: FDSP_SL_P1_2

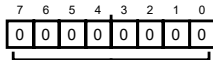


[7:0] FDSP_SL_P1[23:16] (R/W)
FastDSP Safeload Parameter 1 (B1 Coefficient) Value to Be Written

Table 152. Bit Descriptions for FDSP_SL_P1_2

Bits	Bit Name	Settings	Description	Reset	Access
[7:0]	FDSP_SL_P1[23:16]		FastDSP Safeload Parameter 1 (B1 Coefficient) Value to Be Written	0x0	R/W

Address: 0xC071, Reset: 0x00, Name: FDSP_SL_P1_1

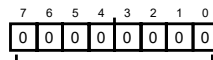


[7:0] FDSP_SL_P1[15:8] (R/W)
FastDSP Safeload Parameter 1 (B1 Coefficient) Value to Be Written

Table 153. Bit Descriptions for FDSP_SL_P1_1

Bits	Bit Name	Settings	Description	Reset	Access
[7:0]	FDSP_SL_P1[15:8]		FastDSP Safeload Parameter 1 (B1 Coefficient) Value to Be Written	0x0	R/W

Address: 0xC072, Reset: 0x00, Name: FDSP_SL_P1_0



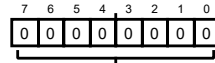
[7:0] FDSP_SL_P1[7:0] (R/W)
FastDSP Safeload Parameter 1 (B1 Coefficient) Value to Be Written

Table 154. Bit Descriptions for FDSP_SL_P1_0

Bits	Bit Name	Settings	Description	Reset	Access
[7:0]	FDSP_SL_P1[7:0]		FastDSP Safeload Parameter 1 (B1 Coefficient) Value to Be Written	0x0	R/W

FastDSP SAFELOAD PARAMETER 2 VALUE REGISTERS

Address: 0xC073, Reset: 0x00, Name: FDSP_SL_P2_3

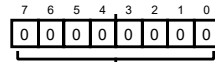


[7:0] FDSP_SL_P2[31:24] (R/W)
FastDSP Safeload Parameter 2 (B2 Coefficient) Value to Be Written

Table 155. Bit Descriptions for FDSP_SL_P2_3

Bits	Bit Name	Settings	Description	Reset	Access
[7:0]	FDSP_SL_P2[31:24]		FastDSP Safeload Parameter 2 (B2 Coefficient) Value to Be Written	0x0	R/W

Address: 0xC074, Reset: 0x00, Name: FDSP_SL_P2_2

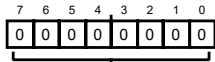


[7:0] FDSP_SL_P2[23:16] (R/W)
FastDSP Safeload Parameter 2 (B2 Coefficient) Value to Be Written

Table 156. Bit Descriptions for FDSP_SL_P2_2

Bits	Bit Name	Settings	Description	Reset	Access
[7:0]	FDSP_SL_P2[23:16]		FastDSP Safeload Parameter 2 (B2 Coefficient) Value to Be Written	0x0	R/W

Address: 0xC075, Reset: 0x00, Name: FDSP_SL_P2_1

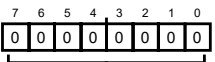


[7:0] FDSP_SL_P2[15:8] (R/W)
FastDSP Safeload Parameter 2 (B2 Coefficient) Value to Be Written

Table 157. Bit Descriptions for FDSP_SL_P2_1

Bits	Bit Name	Settings	Description	Reset	Access
[7:0]	FDSP_SL_P2[15:8]		FastDSP Safeload Parameter 2 (B2 Coefficient) Value to Be Written	0x0	R/W

Address: 0xC076, Reset: 0x00, Name: FDSP_SL_P2_0



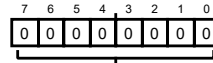
[7:0] FDSP_SL_P2[7:0] (R/W)
FastDSP Safeload Parameter 2 (B2 Coefficient) Value to Be Written

Table 158. Bit Descriptions for FDSP_SL_P2_0

Bits	Bit Name	Settings	Description	Reset	Access
[7:0]	FDSP_SL_P2[7:0]		FastDSP Safeload Parameter 2 (B2 Coefficient) Value to Be Written	0x0	R/W

FastDSP SAFELoad PARAMETER 3 VALUE REGISTERS

Address: 0xC077, Reset: 0x00, Name: FDSP_SL_P3_3

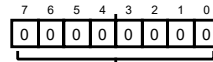


[7:0] FDSP_SL_P3[31:24] (R/W)
FastDSP Safeload Parameter 3 (A1 Coefficient) Value to Be Written

Table 159. Bit Descriptions for FDSP_SL_P3_3

Bits	Bit Name	Settings	Description	Reset	Access
[7:0]	FDSP_SL_P3[31:24]		FastDSP Safeload Parameter 3 (A1 Coefficient) Value to Be Written	0x0	R/W

Address: 0xC078, Reset: 0x00, Name: FDSP_SL_P3_2

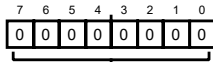


[7:0] FDSP_SL_P3[23:16] (R/W)
FastDSP Safeload Parameter 3 (A1 Coefficient) Value to Be Written

Table 160. Bit Descriptions for FDSP_SL_P3_2

Bits	Bit Name	Settings	Description	Reset	Access
[7:0]	FDSP_SL_P3[23:16]		FastDSP Safeload Parameter 3 (A1 Coefficient) Value to Be Written	0x0	R/W

Address: 0xC079, Reset: 0x00, Name: FDSP_SL_P3_1

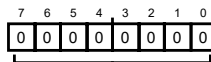


[7:0] FDSP_SL_P3[15:8] (R/W)
FastDSP Safeload Parameter 3 (A1 Coefficient) Value to Be Written

Table 161. Bit Descriptions for FDSP_SL_P3_1

Bits	Bit Name	Settings	Description	Reset	Access
[7:0]	FDSP_SL_P3[15:8]		FastDSP Safeload Parameter 3 (A1 Coefficient) Value to Be Written	0x0	R/W

Address: 0xC07A, Reset: 0x00, Name: FDSP_SL_P3_0



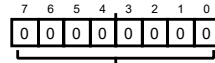
[7:0] FDSP_SL_P3[7:0] (R/W)
FastDSP Safeload Parameter 3 (A1 Coefficient) Value to Be Written

Table 162. Bit Descriptions for FDSP_SL_P3_0

Bits	Bit Name	Settings	Description	Reset	Access
[7:0]	FDSP_SL_P3[7:0]		FastDSP Safeload Parameter 3 (A1 Coefficient) Value to Be Written	0x0	R/W

FastDSP SAFELoad PARAMETER 4 VALUE REGISTERS

Address: 0xC07B, Reset: 0x00, Name: FDSP_SL_P4_3

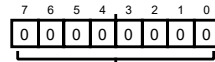


[7:0] FDSP_SL_P4[31:24] (R/W)
FastDSP Safeload Parameter 4 (A2
Coefficient) Value to Be Written

Table 163. Bit Descriptions for FDSP_SL_P4_3

Bits	Bit Name	Settings	Description	Reset	Access
[7:0]	FDSP_SL_P4[31:24]		FastDSP Safeload Parameter 4 (A2 Coefficient) Value to Be Written	0x0	R/W

Address: 0xC07C, Reset: 0x00, Name: FDSP_SL_P4_2

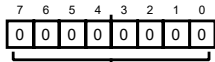


[7:0] FDSP_SL_P4[23:16] (R/W)
FastDSP Safeload Parameter 4 (A2
Coefficient) Value to Be Written

Table 164. Bit Descriptions for FDSP_SL_P4_2

Bits	Bit Name	Settings	Description	Reset	Access
[7:0]	FDSP_SL_P4[23:16]		FastDSP Safeload Parameter 4 (A2 Coefficient) Value to Be Written	0x0	R/W

Address: 0xC07D, Reset: 0x00, Name: FDSP_SL_P4_1

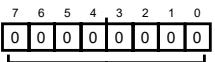


[7:0] FDSP_SL_P4[15:8] (R/W)
FastDSP Safeload Parameter 4 (A2
Coefficient) Value to Be Written

Table 165. Bit Descriptions for FDSP_SL_P4_1

Bits	Bit Name	Settings	Description	Reset	Access
[7:0]	FDSP_SL_P4[15:8]		FastDSP Safeload Parameter 4 (A2 Coefficient) Value to Be Written	0x0	R/W

Address: 0xC07E, Reset: 0x00, Name: FDSP_SL_P4_0



[7:0] FDSP_SL_P4[7:0] (R/W)
FastDSP Safeload Parameter 4 (A2
Coefficient) Value to Be Written

Table 166. Bit Descriptions for FDSP_SL_P4_0

Bits	Bit Name	Settings	Description	Reset	Access
[7:0]	FDSP_SL_P4[7:0]		FastDSP Safeload Parameter 4 (A2 Coefficient) Value to Be Written	0x0	R/W

FastDSP SAFELoad UPDATE REGISTER

Address: 0xC07F, Reset: 0x00, Name: FDSP_SL_UPDATE

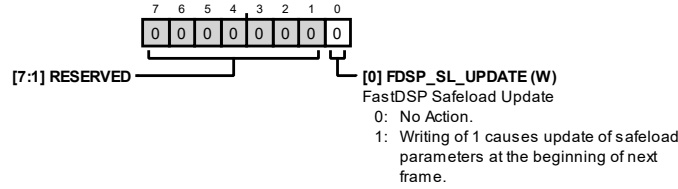


Table 167. Bit Descriptions for FDSP_SL_UPDATE

Bits	Bit Name	Settings	Description	Reset	Access
[7:1]	RESERVED		Reserved.	0x0	R
0	FDSP_SL_UPDATE	0 1	FastDSP Safeload Update. Writing a 1 to this register writes the parameter values in the FDSP_SL_Px_x registers to the addresses in the current bank associated with the instruction number in the FDSP_SL_ADDR register at the beginning of the next frame. No Action. Writing of 1 causes update of safeload parameters at the beginning of next frame.	0x0	W

SigmaDSP FRAME RATE SOURCE SELECT REGISTER

Address: 0xC080, Reset: 0x00, Name: SDSP_CTRL1

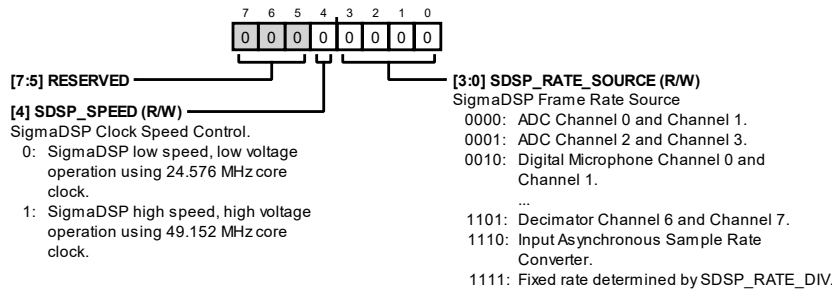


Table 168. Bit Descriptions for SDSP_CTRL1

Bits	Bit Name	Settings	Description	Reset	Access
[7:5]	RESERVED		Reserved.	0x0	R
4	SDSP_SPEED	0 1	SigmaDSP Clock Speed Control. SigmaDSP low speed, low voltage operation using 24.576 MHz core clock frequency. SigmaDSP high speed, high voltage operation using 49.152 MHz core clock frequency.	0x0	R/W

Bits	Bit Name	Settings	Description	Reset	Access
[3:0]	SDSP_RATE_SOURCE		SigmaDSP Frame Rate Source.	0x0	R/W
		0000	ADC Channel 0 and Channel 1.		
		0001	ADC Channel 2 and Channel 3.		
		0010	Digital Microphone Channel 0 and Channel 1.		
		0011	Digital Microphone Channel 2 and Channel 3.		
		0100	Digital Microphone Channel 4 and Channel 5.		
		0101	Digital Microphone Channel 6 and Channel 7.		
		0110	Serial Audio Interface 0.		
		0111	Serial Audio Interface 1.		
		1010	Decimator Channel 0 and Channel 1.		
		1011	Decimator Channel 2 and Channel 3.		
		1100	Decimator Channel 4 and Channel 5.		
		1101	Decimator Channel 6 and Channel 7.		
		1110	Input Asynchronous Sample Rate Converter.		
		1111	Fixed rate determined by SDSP_RATE_DIV.		

SigmaDSP RUN REGISTER

Address: 0xC081, Reset: 0x00, Name: SDSP_CTRL2

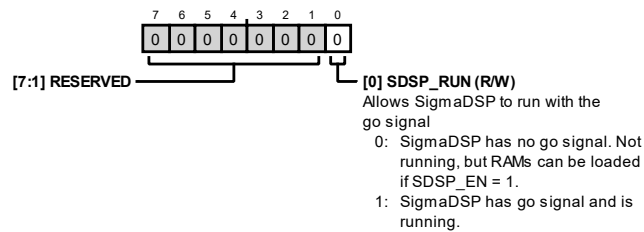


Table 169. Bit Descriptions for SDSP_CTRL2

Bits	Bit Name	Settings	Description	Reset	Access
[7:1]	RESERVED		Reserved.	0x0	R
0	SDSP_RUN		Allows SigmaDSP to run with the go signal.	0x0	R/W
		0	SigmaDSP has no go signal. Not running, but RAMs can be loaded if SDSP_EN = 1.		
		1	SigmaDSP has go signal and is running.		

SigmaDSP WATCHDOG CONTROLS REGISTER

Address: 0xC082, Reset: 0x00, Name: SDSP_CTRL3

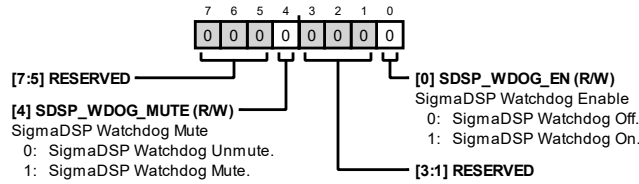


Table 170. Bit Descriptions for SDSP_CTRL3

Bits	Bit Name	Settings	Description	Reset	Access
[7:5]	RESERVED		Reserved.	0x0	R
4	SDSP_WDOG_MUTE	0 1	SigmaDSP Watchdog Mute. SigmaDSP Watchdog Unmute. SigmaDSP Watchdog Mute.	0x0	R/W
[3:1]	RESERVED		Reserved.	0x0	R
0	SDSP_WDOG_EN	0 1	SigmaDSP Watchdog Enable SigmaDSP Watchdog Off. SigmaDSP Watchdog On.	0x0	R/W

SigmaDSP WATCHDOG VALUE REGISTERS

Address: 0xC083, Reset: 0x00, Name: SDSP_CTRL4



Table 171. Bit Descriptions for SDSP_CTRL4

Bits	Bit Name	Settings	Description	Reset	Access
[7:0]	SDSP_WDOG_VAL[23:16]		SigmaDSP Watchdog Value	0x0	R/W

Address: 0xC084, Reset: 0x00, Name: SDSP_CTRL5



Table 172. Bit Descriptions for SDSP_CTRL5

Bits	Bit Name	Settings	Description	Reset	Access
[7:0]	SDSP_WDOG_VAL[15:8]		SigmaDSP Watchdog Value	0x0	R/W

Address: 0xC085, Reset: 0x00, Name: SDSP_CTRL6

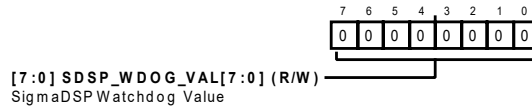


Table 173. Bit Descriptions for SDSP_CTRL6

Bits	Bit Name	Settings	Description	Reset	Access
[7:0]	SDSP_WDOG_VAL[7:0]		SigmaDSP Watchdog Value	0x0	R/W

SigmaDSP MODULO DATA MEMORY START POSITION REGISTERS

Address: 0xC086, Reset: 0x07, Name: SDSP_CTRL7

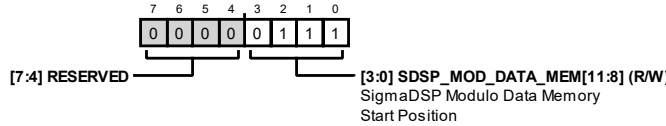


Table 174. Bit Descriptions for SDSP_CTRL7

Bits	Bit Name	Settings	Description	Reset	Access
[7:4]	RESERVED		Reserved	0x0	R
[3:0]	SDSP_MOD_DATA_MEM[11:8]		SigmaDSP Modulo Data Memory Start Position	0x7	R/W

Address: 0xC087, Reset: 0xF4, Name: SDSP_CTRL8

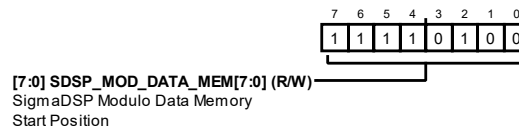


Table 175. Bit Descriptions for SDSP_CTRL8

Bits	Bit Name	Settings	Description	Reset	Access
[7:0]	SDSP_MOD_DATA_MEM[7:0]		SigmaDSP Modulo Data Memory Start Position	0xF4	R/W

SigmaDSP FIXED FRAME RATE DIVISOR REGISTERS

Address: 0xC088, Reset: 0x07, Name: SDSP_CTRL9

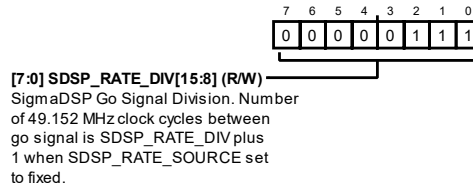


Table 176. Bit Descriptions for SDSP_CTRL9

Bits	Bit Name	Settings	Description	Reset	Access
[7:0]	SDSP_RATE_DIV[15:8]		SigmaDSP Go Signal Division. Number of 49.152 MHz clock cycles between go signal is SDSP_RATE_DIV plus 1 when SDSP_RATE_SOURCE set to fixed.	0x7	R/W

Address: 0xC089, Reset: 0xFF, Name: SDSP_CTRL10

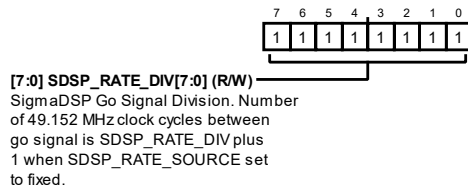


Table 177. Bit Descriptions for SDSP_CTRL10

Bits	Bit Name	Settings	Description	Reset	Access
[7:0]	SDSP_RATE_DIV[7:0]		SigmaDSP Go Signal Division. Number of 49.152 MHz clock cycles between go signal is SDSP_RATE_DIV plus 1 when SDSP_RATE_SOURCE set to fixed.	0xFF	R/W

SigmaDSP SET INTERRUPTS REGISTER

Address: 0xC08A, Reset: 0x00, Name: SDSP_CTRL11

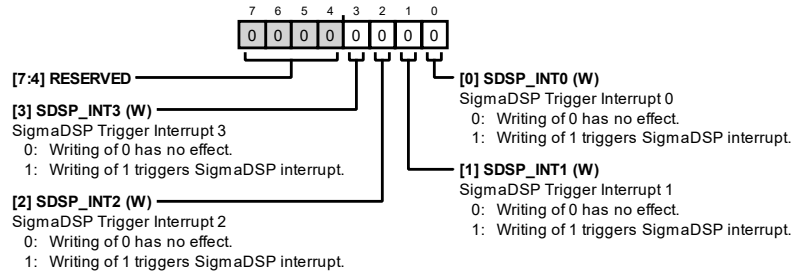


Table 178. Bit Descriptions for SDSP_CTRL11

Bits	Bit Name	Settings	Description	Reset	Access
[7:4]	RESERVED		Reserved.	0x0	R
3	SDSP_INT3	0 1	SigmaDSP Trigger Interrupt 3. Writing of 0 has no effect. Writing of 1 triggers SigmaDSP interrupt.	0x0	W
2	SDSP_INT2	0 1	SigmaDSP Trigger Interrupt 2. Writing of 0 has no effect. Writing of 1 triggers SigmaDSP interrupt.	0x0	W
1	SDSP_INT1	0 1	SigmaDSP Trigger Interrupt 1. Writing of 0 has no effect. Writing of 1 triggers SigmaDSP interrupt.	0x0	W
0	SDSP_INT0	0 1	SigmaDSP Trigger Interrupt 0. Writing of 0 has no effect. Writing of 1 triggers SigmaDSP interrupt.	0x0	W

MULTIPURPOSE PIN 0 AND PIN 1 MODE SELECT REGISTER

Address: 0xC08B, Reset: 0x00, Name: MP_CTRL1

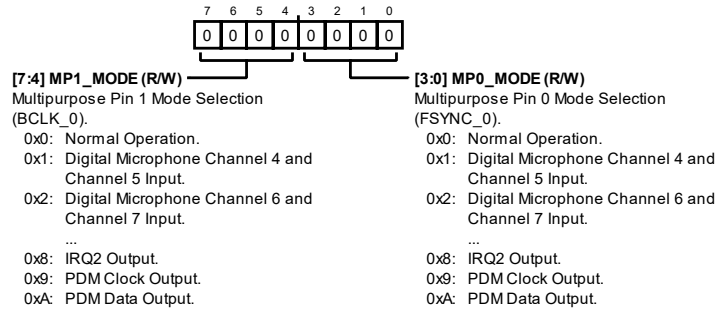


Table 179. Bit Descriptions for MP_CTRL1

Bits	Bit Name	Settings	Description	Reset	Access
[7:4]	MP1_MODE	0x0 0x1 0x2 0x3 0x4 0x5 0x6 0x7 0x8 0x9 0xA	Multipurpose Pin 1 Mode Selection (BCLK_0). Normal Operation. Digital Microphone Channel 4 and Channel 5 Input. Digital Microphone Channel 6 and Channel 7 Input. General-Purpose Input. General-Purpose Output from GPIOx_OUT bits. General-Purpose Output from SigmaDSP. Master Clock Output. IRQ1 Output. IRQ2 Output. PDM Clock Output. PDM Data Output.	0x0	R/W
[3:0]	MP0_MODE	0x0 0x1 0x2 0x3 0x4 0x5 0x6 0x7 0x8 0x9 0xA	Multipurpose Pin 0 Mode Selection (FSYNC_0). Normal Operation. Digital Microphone Channel 4 and Channel 5 Input. Digital Microphone Channel 6 and Channel 7 Input. General-Purpose Input. General-Purpose Output from GPIOx_OUT bits. General-Purpose Output from SigmaDSP. Master Clock Output. IRQ1 Output. IRQ2 Output. PDM Clock Output. PDM Data Output.	0x0	R/W

MULTIPURPOSE PIN 2 AND PIN 3 MODE SELECT REGISTER

Address: 0xC08C, Reset: 0x00, Name: MP_CTRL2

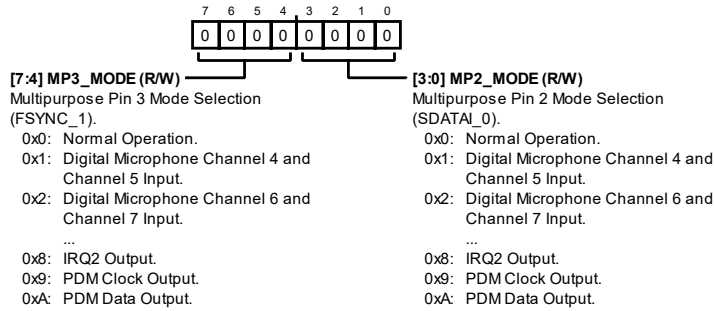


Table 180. Bit Descriptions for MP_CTRL2

Bits	Bit Name	Settings	Description	Reset	Access
[7:4]	MP3_MODE	0x0 0x1 0x2 0x3 0x4 0x5 0x6 0x7 0x8 0x9 0xA	Multipurpose Pin 3 Mode Selection (FSYNC_1). Normal Operation. Digital Microphone Channel 4 and Channel 5 Input. Digital Microphone Channel 6 and Channel 7 Input. General-Purpose Input. General-Purpose Output from GPIOx_OUT bits. General-Purpose Output from SigmaDSP. Master Clock Output. IRQ1 Output. IRQ2 Output. PDM Clock Output. PDM Data Output.	0x0	R/W
[3:0]	MP2_MODE	0x0 0x1 0x2 0x3 0x4 0x5 0x6 0x7 0x8 0x9 0xA	Multipurpose Pin 2 Mode Selection (SDATAI_0). Normal Operation. Digital Microphone Channel 4 and Channel 5 Input. Digital Microphone Channel 6 and Channel 7 Input. General-Purpose Input. General-Purpose Output from GPIOx_OUT bits. General-Purpose Output from SigmaDSP. Master Clock Output. IRQ1 Output. IRQ2 Output. PDM Clock Output. PDM Data Output.	0x0	R/W

MULTIPURPOSE PIN 4 AND PIN 5 MODE SELECT REGISTER

Address: 0xC08D, Reset: 0x00, Name: MP_CTRL3

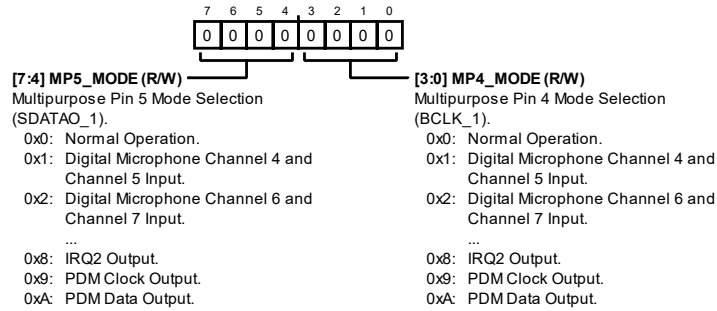


Table 181. Bit Descriptions for MP_CTRL3

Bits	Bit Name	Settings	Description	Reset	Access
[7:4]	MP5_MODE	0x0 0x1 0x2 0x3 0x4 0x5 0x6 0x7 0x8 0x9 0xA	Multipurpose Pin 5 Mode Selection (SDATAO_1). Normal Operation. Digital Microphone Channel 4 and Channel 5 Input. Digital Microphone Channel 6 and Channel 7 Input. General-Purpose Input. General-Purpose Output from GPIOx_OUT bits. General-Purpose Output from SigmaDSP. Master Clock Output. IRQ1 Output. IRQ2 Output. PDM Clock Output. PDM Data Output.	0x0	R/W
[3:0]	MP4_MODE	0x0 0x1 0x2 0x3 0x4 0x5 0x6 0x7 0x8 0x9 0xA	Multipurpose Pin 4 Mode Selection (BCLK_1). Normal Operation. Digital Microphone Channel 4 and Channel 5 Input. Digital Microphone Channel 6 and Channel 7 Input. General-Purpose Input. General-Purpose Output from GPIOx_OUT bits. General-Purpose Output from SigmaDSP. Master Clock Output. IRQ1 Output. IRQ2 Output. PDM Clock Output. PDM Data Output.	0x0	R/W

MULTIPURPOSE PIN 6 AND PIN 7 MODE SELECT REGISTER

Address: 0xC08E, Reset: 0x00, Name: MP_CTRL4

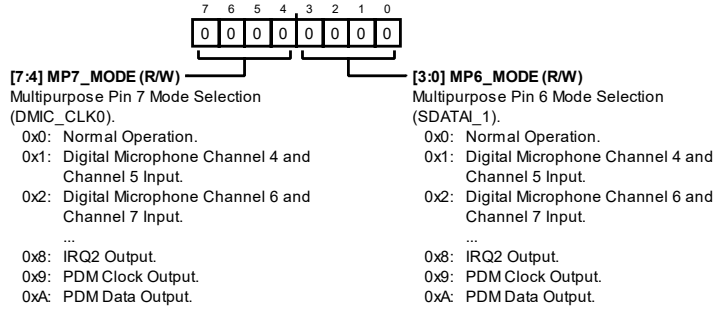


Table 182. Bit Descriptions for MP_CTRL4

Bits	Bit Name	Settings	Description	Reset	Access
[7:4]	MP7_MODE	0x0 0x1 0x2 0x3 0x4 0x5 0x6 0x7 0x8 0x9 0xA	Multipurpose Pin 7 Mode Selection (DMIC_CLK0). Normal Operation. Digital Microphone Channel 4 and Channel 5 Input. Digital Microphone Channel 6 and Channel 7 Input. General-Purpose Input. General-Purpose Output from GPIOx_OUT bits. General-Purpose Output from SigmaDSP. Master Clock Output. IRQ1 Output. IRQ2 Output. PDM Clock Output. PDM Data Output.	0x0	R/W
[3:0]	MP6_MODE	0x0 0x1 0x2 0x3 0x4 0x5 0x6 0x7 0x8 0x9 0xA	Multipurpose Pin 6 Mode Selection (SDATA1_1). Normal Operation. Digital Microphone Channel 4 and Channel 5 Input. Digital Microphone Channel 6 and Channel 7 Input. General-Purpose Input. General-Purpose Output from GPIOx_OUT bits. General-Purpose Output from SigmaDSP. Master Clock Output. IRQ1 Output. IRQ2 Output. PDM Clock Output. PDM Data Output.	0x0	R/W

MULTIPURPOSE PIN 8 AND PIN 9 MODE SELECT REGISTER

Address: 0xC08F, Reset: 0x00, Name: MP_CTRL5

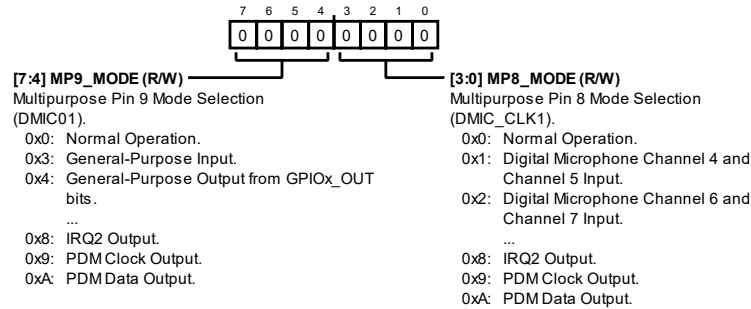


Table 183. Bit Descriptions for MP_CTRL5

Bits	Bit Name	Settings	Description	Reset	Access
[7:4]	MP9_MODE	0x0 0x3 0x4 0x5 0x6 0x7 0x8 0x9 0xA	Multipurpose Pin 9 Mode Selection (DMIC01). Normal Operation. General-Purpose Input. General-Purpose Output from GPIOx_OUT bits. General-Purpose Output from SigmaDSP. Master Clock Output. IRQ1 Output. IRQ2 Output. PDM Clock Output. PDM Data Output.	0x0	R/W
[3:0]	MP8_MODE	0x0 0x1 0x2 0x3 0x4 0x5 0x6 0x7 0x8 0x9 0xA	Multipurpose Pin 8 Mode Selection (DMIC_CLK1). Normal Operation. Digital Microphone Channel 4 and Channel 5 Input. Digital Microphone Channel 6 and Channel 7 Input. General-Purpose Input. General-Purpose Output from GPIOx_OUT bits. General-Purpose Output from SigmaDSP. Master Clock Output. IRQ1 Output. IRQ2 Output. PDM Clock Output. PDM Data Output.	0x0	R/W

MULTIPURPOSE PIN 10 AND PIN 11 MODE SELECT REGISTER

Address: 0xC090, Reset: 0x00, Name: MP_CTRL6

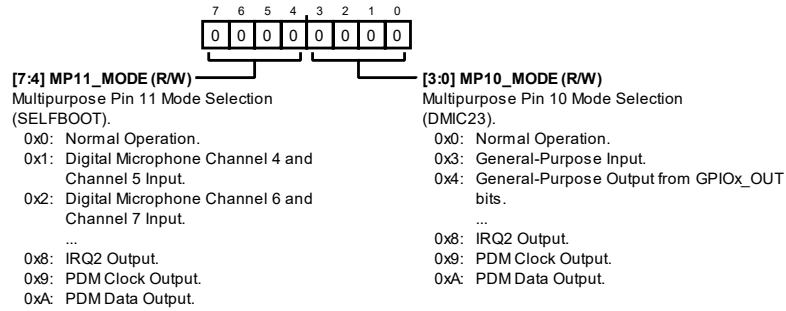


Table 184. Bit Descriptions for MP_CTRL6

Bits	Bit Name	Settings	Description	Reset	Access
[7:4]	MP11_MODE	0x0 0x1 0x2 0x3 0x4 0x5 0x6 0x7 0x8 0x9 0xA	Multipurpose Pin 11 Mode Selection (SELFB00T). Normal Operation. Digital Microphone Channel 4 and Channel 5 Input. Digital Microphone Channel 6 and Channel 7 Input. General-Purpose Input. General-Purpose Output from GPIOx_OUT bits. General-Purpose Output from SigmaDSP. Master Clock Output. IRQ1 Output. IRQ2 Output. PDM Clock Output. PDM Data Output.	0x0	R/W
[3:0]	MP10_MODE	0x0 0x3 0x4 0x5 0x6 0x7 0x8 0x9 0xA	Multipurpose Pin 10 Mode Selection (DMIC23). Normal Operation. General-Purpose Input. General-Purpose Output from GPIOx_OUT bits. General-Purpose Output from SigmaDSP. Master Clock Output. IRQ1 Output. IRQ2 Output. PDM Clock Output. PDM Data Output.	0x0	R/W

GENERAL-PURPOSE INPUT DEBOUNCE CONTROL AND MASTER CLOCK OUTPUT RATE SELECTION REGISTER

Address: 0xC091, Reset: 0x10, Name: MP_CTRL7

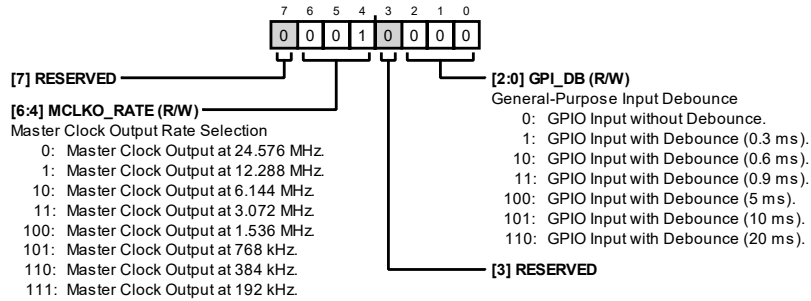


Table 185. Bit Descriptions for MP_CTRL7

Bits	Bit Name	Settings	Description	Reset	Access
7	RESERVED		Reserved.	0x0	R
[6:4]	MCLKO_RATE	0 1 10 11 100 101 110 111	Master Clock Output Rate Selection. Master Clock Output at 24.576 MHz. Master Clock Output at 12.288 MHz. Master Clock Output at 6.144 MHz. Master Clock Output at 3.072 MHz. Master Clock Output at 1.536 MHz. Master Clock Output at 768 kHz. Master Clock Output at 384 kHz. Master Clock Output at 192 kHz.	0x1	R/W
3	RESERVED		Reserved.	0x0	R
[2:0]	GPI_DB	0 1 10 11 100 101 110	General-Purpose Input Debounce. GPIO Input without Debounce. GPIO Input with Debounce (0.3 ms). GPIO Input with Debounce (0.6 ms). GPIO Input with Debounce (0.9 ms). GPIO Input with Debounce (5 ms). GPIO Input with Debounce (10 ms). GPIO Input with Debounce (20 ms).	0x0	R/W

GENERAL-PURPOSE OUTPUTS CONTROL PIN 0 TO PIN 7 REGISTER

Address: 0xC092, Reset: 0x00, Name: MP_CTRL8

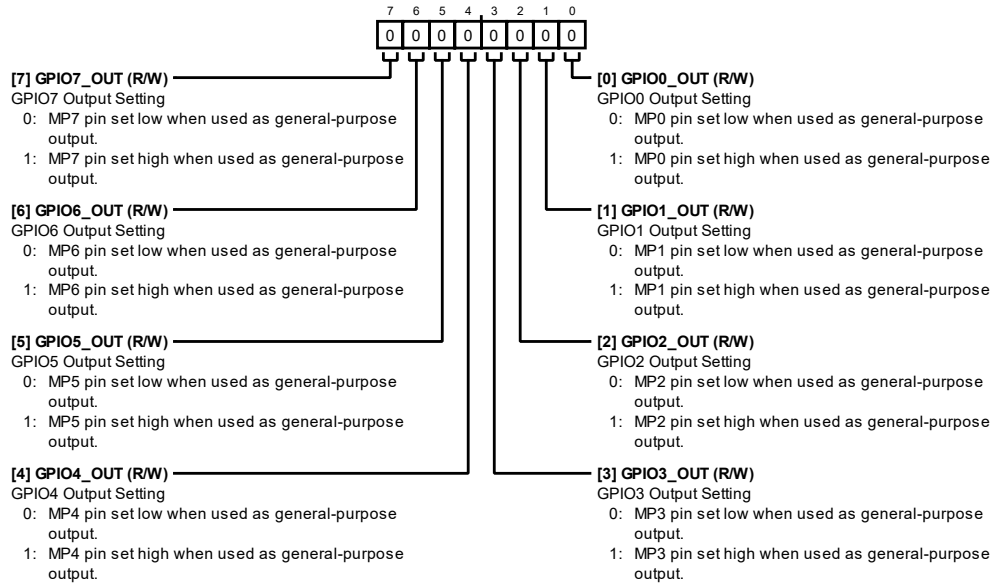


Table 186. Bit Descriptions for MP_CTRL8

Bits	Bit Name	Settings	Description	Reset	Access
7	GPIO7_OUT	0 1	GPIO7 Output Setting. MP7 pin set low when used as general-purpose output. MP7 pin set high when used as general-purpose output.	0x0	R/W
6	GPIO6_OUT	0 1	GPIO6 Output Setting. MP6 pin set low when used as general-purpose output. MP6 pin set high when used as general-purpose output.	0x0	R/W
5	GPIO5_OUT	0 1	GPIO5 Output Setting. MP5 pin set low when used as general-purpose output. MP5 pin set high when used as general-purpose output.	0x0	R/W
4	GPIO4_OUT	0 1	GPIO4 Output Setting. MP4 pin set low when used as general-purpose output. MP4 pin set high when used as general-purpose output.	0x0	R/W
3	GPIO3_OUT	0 1	GPIO3 Output Setting. MP3 pin set low when used as general-purpose output. MP3 pin set high when used as general-purpose output.	0x0	R/W
2	GPIO2_OUT	0 1	GPIO2 Output Setting. MP2 pin set low when used as general-purpose output. MP2 pin set high when used as general-purpose output.	0x0	R/W
1	GPIO1_OUT	0 1	GPIO1 Output Setting. MP1 pin set low when used as general-purpose output. MP1 pin set high when used as general-purpose output.	0x0	R/W
0	GPIO0_OUT	0 1	GPIO0 Output Setting. MP0 pin set low when used as general-purpose output. MP0 pin set high when used as general-purpose output.	0x0	R/W

GENERAL-PURPOSE OUTPUTS CONTROL PIN 8 TO PIN 10 REGISTER

Address: 0xC093, Reset: 0x00, Name: MP_CTRL9

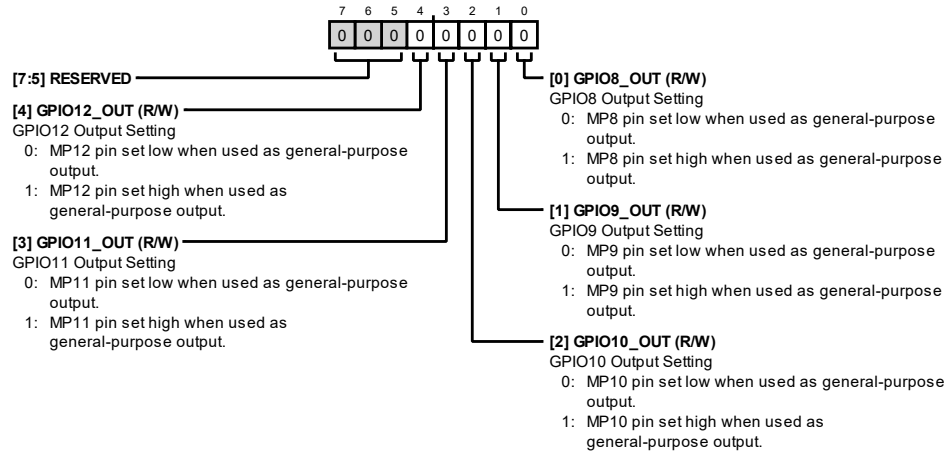


Table 187. Bit Descriptions for MP_CTRL9

Bits	Bit Name	Settings	Description	Reset	Access
[7:5]	RESERVED		Reserved.	0x0	R
4	GPIO12_OUT	0 1	GPIO12 Output Setting. 0 MP12 pin set low when used as general-purpose output. 1 MP12 pin set high when used as general-purpose output.	0x0	R/W
3	GPIO11_OUT	0 1	GPIO11 Output Setting. 0 MP11 pin set low when used as general-purpose output. 1 MP11 pin set high when used as general-purpose output.	0x0	R/W
2	GPIO10_OUT	0 1	GPIO10 Output Setting. 0 MP10 pin set low when used as general-purpose output. 1 MP10 pin set high when used as general-purpose output.	0x0	R/W
1	GPIO9_OUT	0 1	GPIO9 Output Setting. 0 MP9 pin set low when used as general-purpose output. 1 MP9 pin set high when used as general-purpose output.	0x0	R/W
0	GPIO8_OUT	0 1	GPIO8 Output Setting. 0 MP8 pin set low when used as general-purpose output. 1 MP8 pin set high when used as general-purpose output.	0x0	R/W

FSYNC_0 PIN CONTROLS REGISTER

Address: 0xC094, Reset: 0x05, Name: FSYNC0_CTRL

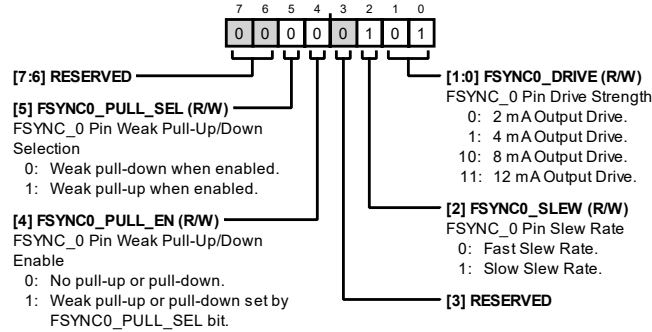


Table 188. Bit Descriptions for FSYNC0_CTRL

Bits	Bit Name	Settings	Description	Reset	Access
[7:6]	RESERVED		Reserved.	0x0	R
5	FSYNC0_PULL_SEL	0 1	FSYNC_0 Pin Weak Pull-Up/Down Selection. Weak pull-down when enabled. Weak pull-up when enabled.	0x0	R/W
4	FSYNC0_PULL_EN	0 1	FSYNC_0 Pin Weak Pull-Up/Down Enable. No pull-up or pull-down. Weak pull-up or pull-down set by FSYNC0_PULL_SEL bit.	0x0	R/W
3	RESERVED		Reserved.	0x0	R
2	FSYNC0_SLEW	0 1	FSYNC_0 Pin Slew Rate. Determines the slew rate of the pin when used as an output. Fast Slew Rate. Slow Slew Rate.	0x1	R/W
[1:0]	FSYNC0_DRIVE	0 1 10 11	FSYNC_0 Pin Drive Strength. Determines the drive strength of the pin when used as an output. 2 mA Output Drive. 4 mA Output Drive. 8 mA Output Drive. 12 mA Output Drive.	0x1	R/W

BCLK_0 PIN CONTROLS REGISTER

Address: 0xC095, Reset: 0x05, Name: BCLK0_CTRL

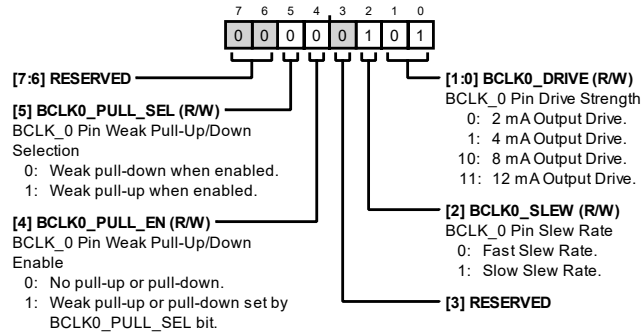


Table 189. Bit Descriptions for BCLK0_CTRL

Bits	Bit Name	Settings	Description	Reset	Access
[7:6]	RESERVED		Reserved.	0x0	R
5	BCLK0_PULL_SEL	0 1	BCLK_0 Pin Weak Pull-Up/Down Selection. 0 Weak pull-down when enabled. 1 Weak pull-up when enabled.	0x0	R/W
4	BCLK0_PULL_EN	0 1	BCLK_0 Pin Weak Pull-Up/Down Enable. 0 No pull-up or pull-down. 1 Weak pull-up or pull-down set by BCLK0_PULL_SEL bit.	0x0	R/W
3	RESERVED		Reserved.	0x0	R
2	BCLK0_SLEW	0 1	BCLK_0 Pin Slew Rate. Determines the slew rate of the pin when used as an output. 0 Fast Slew Rate. 1 Slow Slew Rate.	0x1	R/W
[1:0]	BCLK0_DRIVE	0 1 10 11	BCLK_0 Pin Drive Strength. Determines the drive strength of the pin when used as an output. 0 2 mA Output Drive. 1 4 mA Output Drive. 10 8 mA Output Drive. 11 12 mA Output Drive.	0x1	R/W

SDATAO_0 PIN CONTROL REGISTER

Address: 0xC096, Reset: 0x04, Name: SDATAO0_CTRL

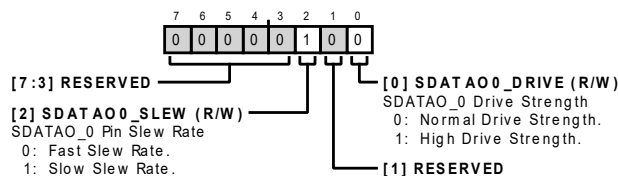


Table 190. Bit Descriptions for SDATAO0_CTRL

Bits	Bit Name	Settings	Description	Reset	Access
[7:3]	RESERVED		Reserved.	0x0	R
2	SDATAO0_SLEW	0 1	SDATAO_0 Pin Slew Rate. Determines the slew rate of the pin when used as an output. 0 Fast Slew Rate. 1 Slow Slew Rate.	0x1	R/W
1	RESERVED		Reserved.	0x0	R
0	SDATAO0_DRIVE	0 1	SDATAO_0 Drive Strength. 0 Normal Drive Strength. 1 High Drive Strength.	0x0	R/W

SDATAI_0 PIN CONTROLS REGISTER

Address: 0xC097, Reset: 0x05, Name: SDATAI0_CTRL

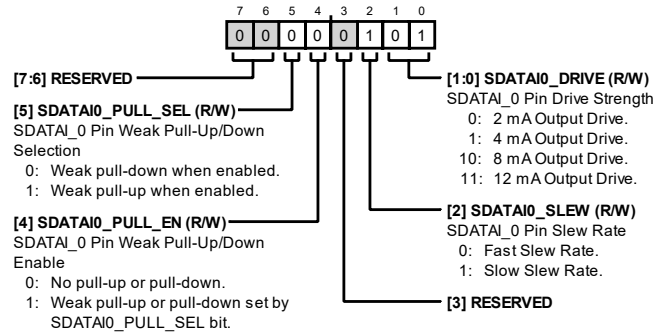


Table 191. Bit Descriptions for SDATAI0_CTRL

Bits	Bit Name	Settings	Description	Reset	Access
[7:6]	RESERVED		Reserved.	0x0	R
5	SDATAI0_PULL_SEL	0 1	SDATAI_0 Pin Weak Pull-Up/Down Selection. 0 Weak pull-down when enabled. 1 Weak pull-up when enabled.	0x0	R/W
4	SDATAI0_PULL_EN	0 1	SDATAI_0 Pin Weak Pull-Up/Down Enable. 0 No pull-up or pull-down. 1 Weak pull-up or pull-down set by SDATAI0_PULL_SEL bit.	0x0	R/W
3	RESERVED		Reserved.	0x0	R
2	SDATAI0_SLEW	0 1	SDATAI_0 Pin Slew Rate. Determines the slew rate of the pin when used as an output. 0 Fast Slew Rate. 1 Slow Slew Rate.	0x1	R/W
[1:0]	SDATAI0_DRIVE	0 1 10 11	SDATAI_0 Pin Drive Strength. Determines the drive strength of the pin when used as an output. 0 2 mA Output Drive. 1 4 mA Output Drive. 10 8 mA Output Drive. 11 12 mA Output Drive.	0x1	R/W

FSYNC_1 PIN CONTROLS REGISTER

Address: 0xC098, Reset: 0x05, Name: FSYNC1_CTRL

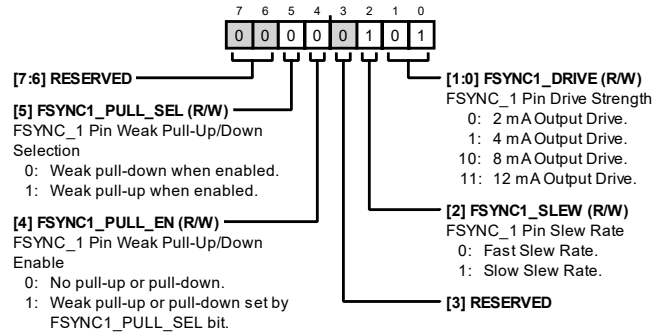


Table 192. Bit Descriptions for FSYNC1_CTRL

Bits	Bit Name	Settings	Description	Reset	Access
[7:6]	RESERVED		Reserved.	0x0	R
5	FSYNC1_PULL_SEL	0 1	FSYNC_1 Pin Weak Pull-Up/Down Selection. 0 Weak pull-down when enabled. 1 Weak pull-up when enabled.	0x0	R/W
4	FSYNC1_PULL_EN	0 1	FSYNC_1 Pin Weak Pull-Up/Down Enable. 0 No pull-up or pull-down. 1 Weak pull-up or pull-down set by FSYNC1_PULL_SEL bit.	0x0	R/W
3	RESERVED		Reserved.	0x0	R
2	FSYNC1_SLEW	0 1	FSYNC_1 Pin Slew Rate. Determines the slew rate of the pin when used as an output. 0 Fast Slew Rate. 1 Slow Slew Rate.	0x1	R/W
[1:0]	FSYNC1_DRIVE	0 1 10 11	FSYNC_1 Pin Drive Strength. Determines the drive strength of the pin when used as an output. 0 2 mA Output Drive. 1 4 mA Output Drive. 10 8 mA Output Drive. 11 12 mA Output Drive.	0x1	R/W

BCLK_1 PIN CONTROLS REGISTER

Address: 0xC099, Reset: 0x05, Name: BCLK1_CTRL

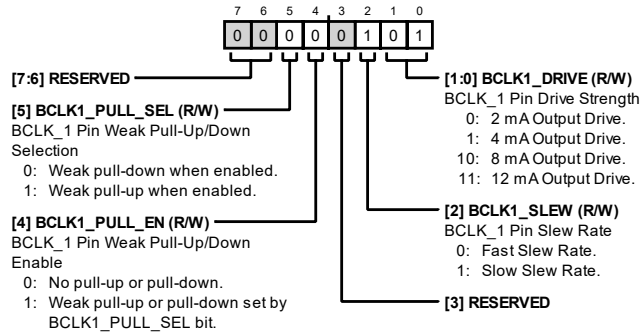


Table 193. Bit Descriptions for BCLK1_CTRL

Bits	Bit Name	Settings	Description	Reset	Access
[7:6]	RESERVED		Reserved.	0x0	R
5	BCLK1_PULL_SEL	0 1	BCLK_1 Pin Weak Pull-Up/Down Selection. 0 Weak pull-down when enabled. 1 Weak pull-up when enabled.	0x0	R/W
4	BCLK1_PULL_EN	0 1	BCLK_1 Pin Weak Pull-Up/Down Enable. 0 No pull-up or pull-down. 1 Weak pull-up or pull-down set by BCLK1_PULL_SEL bit.	0x0	R/W
3	RESERVED		Reserved.	0x0	R
2	BCLK1_SLEW	0 1	BCLK_1 Pin Slew Rate. Determines the slew rate of the pin when used as an output. 0 Fast Slew Rate. 1 Slow Slew Rate.	0x1	R/W
[1:0]	BCLK1_DRIVE	0 1 10 11	BCLK_1 Pin Drive Strength. Determines the drive strength of the pin when used as an output. 0 2 mA Output Drive. 1 4 mA Output Drive. 10 8 mA Output Drive. 11 12 mA Output Drive.	0x1	R/W

SDATAO_1 PIN CONTROLS REGISTER

Address: 0xC09A, Reset: 0x05, Name: SDATAO1_CTRL

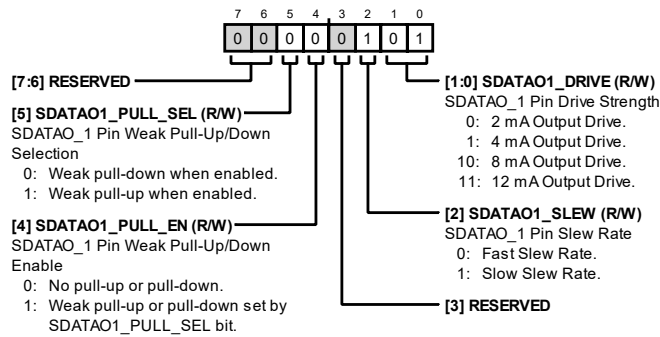


Table 194. Bit Descriptions for SDATAO1_CTRL

Bits	Bit Name	Settings	Description	Reset	Access
[7:6]	RESERVED		Reserved.	0x0	R
5	SDATAO1_PULL_SEL	0 1	SDATAO_1 Pin Weak Pull-Up/Down Selection. Weak pull-down when enabled. Weak pull-up when enabled.	0x0	R/W
4	SDATAO1_PULL_EN	0 1	SDATAO_1 Pin Weak Pull-Up/Down Enable. No pull-up or pull-down. Weak pull-up or pull-down set by SDATAO1_PULL_SEL bit.	0x0	R/W
3	RESERVED		Reserved.	0x0	R
2	SDATAO1_SLEW	0 1	SDATAO_1 Pin Slew Rate. Determines the slew rate of the pin when used as an output. Fast Slew Rate. Slow Slew Rate.	0x1	R/W
[1:0]	SDATAO1_DRIVE	0 1 10 11	SDATAO_1 Pin Drive Strength. Determines the drive strength of the pin when used as an output. 2 mA Output Drive. 4 mA Output Drive. 8 mA Output Drive. 12 mA Output Drive.	0x1	R/W

SDATAI_1 PIN CONTROLS REGISTER

Address: 0xC09B, Reset: 0x05, Name: SDATAI1_CTRL

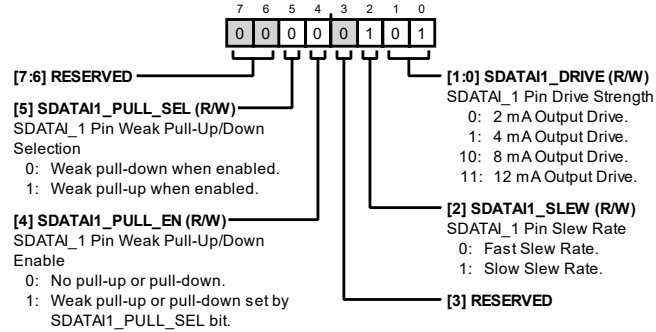
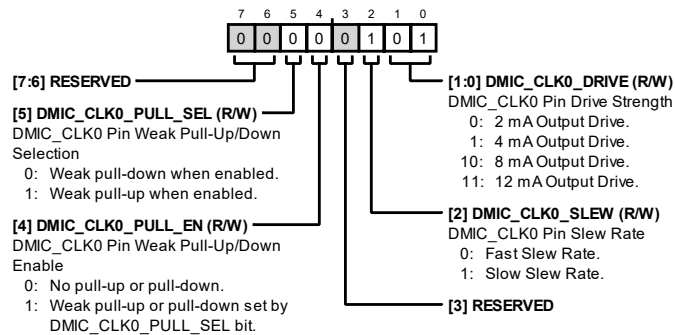


Table 195. Bit Descriptions for SDATAI1_CTRL

Bits	Bit Name	Settings	Description	Reset	Access
[7:6]	RESERVED		Reserved.	0x0	R
5	SDATAI1_PULL_SEL	0 1	SDATAI_1 Pin Weak Pull-Up/Down Selection. Weak pull-down when enabled. Weak pull-up when enabled.	0x0	R/W
4	SDATAI1_PULL_EN	0 1	SDATAI_1 Pin Weak Pull-Up/Down Enable. No pull-up or pull-down. Weak pull-up or pull-down set by SDATAI1_PULL_SEL bit.	0x0	R/W
3	RESERVED		Reserved.	0x0	R
2	SDATAI1_SLEW	0 1	SDATAI_1 Pin Slew Rate. Determines the slew rate of the pin when used as an output. Fast Slew Rate. Slow Slew Rate.	0x1	R/W
[1:0]	SDATAI1_DRIVE	0 1 10 11	SDATAI_1 Pin Drive Strength. Determines the drive strength of the pin when used as an output. 2 mA Output Drive. 4 mA Output Drive. 8 mA Output Drive. 12 mA Output Drive.	0x1	R/W

DMIC_CLK0 PIN CONTROLS REGISTER

Address: 0xC09C, Reset: 0x05, Name: DMIC_CLK0_CTRL

**Table 196. Bit Descriptions for DMIC_CLK0_CTRL**

Bits	Bit Name	Settings	Description	Reset	Access
[7:6]	RESERVED		Reserved.	0x0	R
5	DMIC_CLK0_PULL_SEL	0 1	DMIC_CLK0 Pin Weak Pull-Up/Down Selection. Weak pull-down when enabled. Weak pull-up when enabled.	0x0	R/W
4	DMIC_CLK0_PULL_EN	0 1	DMIC_CLK0 Pin Weak Pull-Up/Down Enable. No pull-up or pull-down. Weak pull-up or pull-down set by DMIC_CLK0_PULL_SEL bit.	0x0	R/W
3	RESERVED		Reserved.	0x0	R
2	DMIC_CLK0_SLEW	0 1	DMIC_CLK0 Pin Slew Rate. Determines the slew rate of the pin when used as an output. Fast Slew Rate. Slow Slew Rate.	0x1	R/W
[1:0]	DMIC_CLK0_DRIVE	0 1 10 11	DMIC_CLK0 Pin Drive Strength. Determines the drive strength of the pin when used as an output. 2 mA Output Drive. 4 mA Output Drive. 8 mA Output Drive. 12 mA Output Drive.	0x1	R/W

DMIC_CLK1 PIN CONTROLS REGISTER

Address: 0xC09D, Reset: 0x05, Name: DMIC_CLK1_CTRL

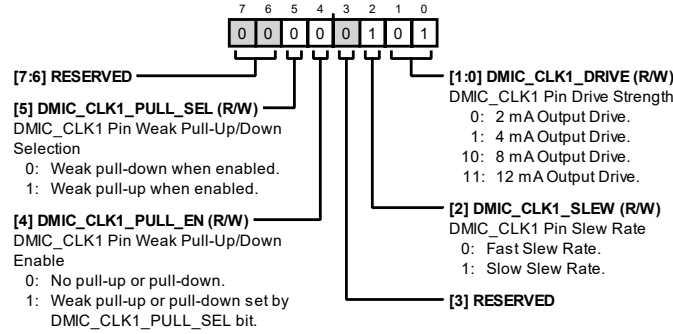


Table 197. Bit Descriptions for DMIC_CLK1_CTRL

Bits	Bit Name	Settings	Description	Reset	Access
[7:6]	RESERVED		Reserved.	0x0	R
5	DMIC_CLK1_PULL_SEL	0 1	DMIC_CLK1 Pin Weak Pull-Up/Down Selection. Weak pull-down when enabled. Weak pull-up when enabled.	0x0	R/W
4	DMIC_CLK1_PULL_EN	0 1	DMIC_CLK1 Pin Weak Pull-Up/Down Enable. No pull-up or pull-down. Weak pull-up or pull-down set by DMIC_CLK1_PULL_SEL bit.	0x0	R/W
3	RESERVED		Reserved.	0x0	R
2	DMIC_CLK1_SLEW	0 1	DMIC_CLK1 Pin Slew Rate. Determines the slew rate of the pin when used as an output. Fast Slew Rate. Slow Slew Rate.	0x1	R/W
[1:0]	DMIC_CLK1_DRIVE	0 1 10 11	DMIC_CLK1 Pin Drive Strength. Determines the drive strength of the pin when used as an output. 2 mA Output Drive. 4 mA Output Drive. 8 mA Output Drive. 12 mA Output Drive.	0x1	R/W

DMIC01 PIN CONTROLS REGISTER

Address: 0xC09E, Reset: 0x05, Name: DMIC01_CTRL

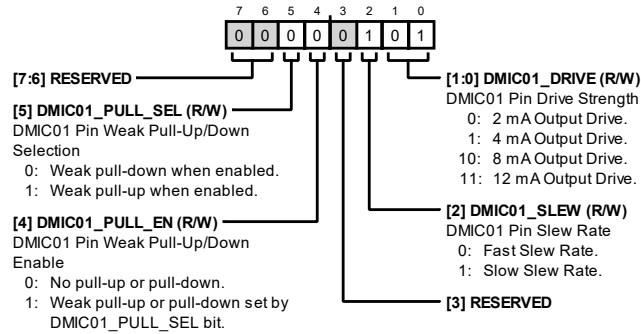


Table 198. Bit Descriptions for DMIC01_CTRL

Bits	Bit Name	Settings	Description	Reset	Access
[7:6]	RESERVED		Reserved.	0x0	R
5	DMIC01_PULL_SEL	0 1	DMIC01 Pin Weak Pull-Up/Down Selection. Weak pull-down when enabled. Weak pull-up when enabled.	0x0	R/W
4	DMIC01_PULL_EN	0 1	DMIC01 Pin Weak Pull-Up/Down Enable. No pull-up or pull-down. Weak pull-up or pull-down set by DMIC01_PULL_SEL bit.	0x0	R/W
3	RESERVED		Reserved.	0x0	R
2	DMIC01_SLEW	0 1	DMIC01 Pin Slew Rate. Determines the slew rate of the pin when used as an output. Fast Slew Rate. Slow Slew Rate.	0x1	R/W
[1:0]	DMIC01_DRIVE	0 1 10 11	DMIC01 Pin Drive Strength. Determines the drive strength of the pin when used as an output. 2 mA Output Drive. 4 mA Output Drive. 8 mA Output Drive. 12 mA Output Drive.	0x1	R/W

DMIC23 PIN CONTROLS REGISTER

Address: 0xC09F, Reset: 0x05, Name: DMIC23_CTRL

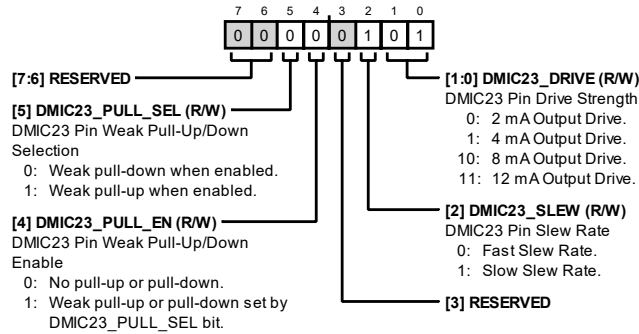


Table 199. Bit Descriptions for DMIC23_CTRL

Bits	Bit Name	Settings	Description	Reset	Access
[7:6]	RESERVED		Reserved.	0x0	R
5	DMIC23_PULL_SEL	0 1	DMIC23 Pin Weak Pull-Up/Down Selection. Weak pull-down when enabled. Weak pull-up when enabled.	0x0	R/W
4	DMIC23_PULL_EN	0 1	DMIC23 Pin Weak Pull-Up/Down Enable. No pull-up or pull-down. Weak pull-up or pull-down set by DMIC23_PULL_SEL bit.	0x0	R/W
3	RESERVED		Reserved.	0x0	R
2	DMIC23_SLEW	0 1	DMIC23 Pin Slew Rate. Determines the slew rate of the pin when used as an output. Fast Slew Rate. Slow Slew Rate.	0x1	R/W
[1:0]	DMIC23_DRIVE	0 1 10 11	DMIC23 Pin Drive Strength. Determines the drive strength of the pin when used as an output. 2 mA Output Drive. 4 mA Output Drive. 8 mA Output Drive. 12 mA Output Drive.	0x1	R/W

SDA/MISO PIN CONTROLS REGISTER

Address: 0xC0A0, Reset: 0x00, Name: I2C_SPI_CTRL

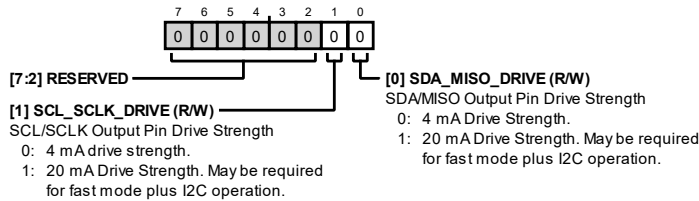


Table 200. Bit Descriptions for I2C_SPI_CTRL

Bits	Bit Name	Settings	Description	Reset	Access
[7:2]	RESERVED		Reserved.	0x0	R
1	SCL_SCLK_DRIVE	0 1	SCL/SCLK Output Pin Drive Strength. 4 mA Drive Strength. 20 mA Drive Strength. May be required for fast mode plus I ² C operation.	0x0	R/W
0	SDA_MISO_DRIVE	0 1	SDA/MISO Output Pin Drive Strength. 4 mA Drive Strength. 20 mA Drive Strength. May be required for fast mode plus I ² C operation.	0x0	R/W

IRQ SIGNALING AND CLEARING REGISTER

Address: 0xC0A1, Reset: 0x00, Name: IRQ_CTRL1

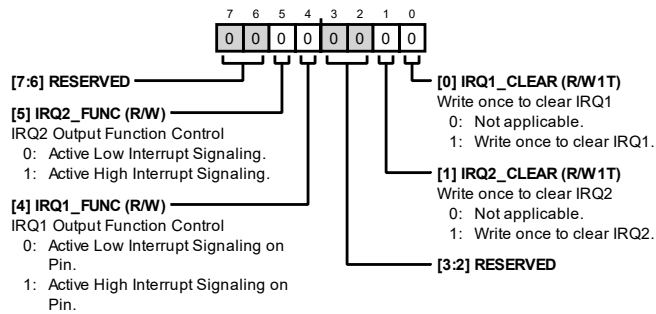


Table 201. Bit Descriptions for IRQ_CTRL1

Bits	Bit Name	Settings	Description	Reset	Access
[7:6]	RESERVED		Reserved.	0x0	R
5	IRQ2_FUNC	0 1	IRQ2 Output Function Control. 0 Active Low Interrupt Signaling. 1 Active High Interrupt Signaling.	0x0	R/W
4	IRQ1_FUNC	0 1	IRQ1 Output Function Control. 0 Active Low Interrupt Signaling on Pin. 1 Active High Interrupt Signaling on Pin.	0x0	R/W
[3:2]	RESERVED		Reserved.	0x0	R
1	IRQ2_CLEAR	0 1	Write once to clear IRQ2. 0 Not applicable. 1 Write once to clear IRQ2.	0x0	R/W1T
0	IRQ1_CLEAR	0 1	Write once to clear IRQ1. 0 Not applicable. 1 Write once to clear IRQ1.	0x0	R/W1T

IRQ1 MASKING REGISTERS

Address: 0xC0A2, Reset: 0xF3, Name: IRQ1_MASK1

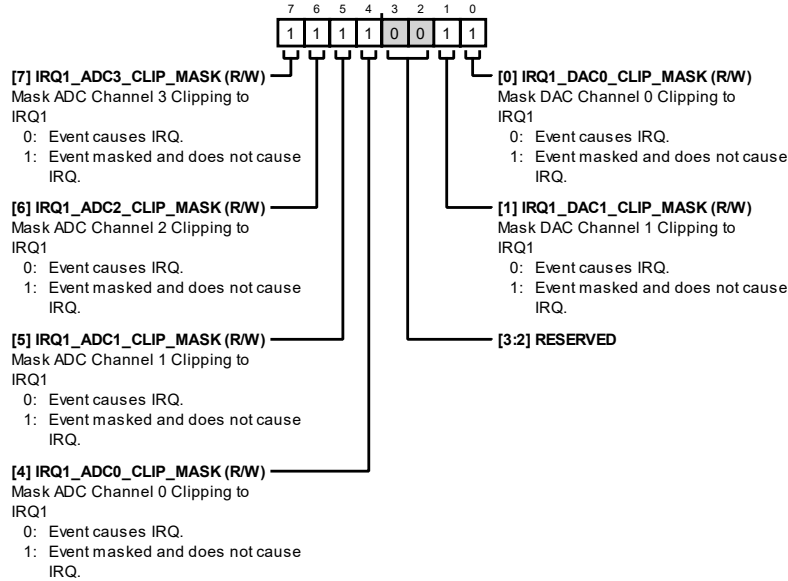


Table 202. Bit Descriptions for IRQ1_MASK1

Bits	Bit Name	Settings	Description	Reset	Access
7	IRQ1_ADC3_CLIP_MASK	0 1	Mask ADC Channel 3 Clipping to IRQ1. 0 Event causes IRQ. 1 Event masked and does not cause IRQ.	0x1	R/W
6	IRQ1_ADC2_CLIP_MASK	0 1	Mask ADC Channel 2 Clipping to IRQ1. 0 Event causes IRQ. 1 Event masked and does not cause IRQ.	0x1	R/W
5	IRQ1_ADC1_CLIP_MASK	0 1	Mask ADC Channel 1 Clipping to IRQ1. 0 Event causes IRQ. 1 Event masked and does not cause IRQ.	0x1	R/W
4	IRQ1_ADC0_CLIP_MASK	0 1	Mask ADC Channel 0 Clipping to IRQ1. 0 Event causes IRQ. 1 Event masked and does not cause IRQ.	0x1	R/W
[3:2]	RESERVED		Reserved.	0x0	R
1	IRQ1_DAC1_CLIP_MASK	0 1	Mask DAC Channel 1 Clipping to IRQ1. 0 Event causes IRQ. 1 Event masked and does not cause IRQ.	0x1	R/W
0	IRQ1_DAC0_CLIP_MASK	0 1	Mask DAC Channel 0 Clipping to IRQ1. 0 Event causes IRQ. 1 Event masked and does not cause IRQ.	0x1	R/W

Address: 0xC0A3, Reset: 0xFF, Name: IRQ1_MASK2

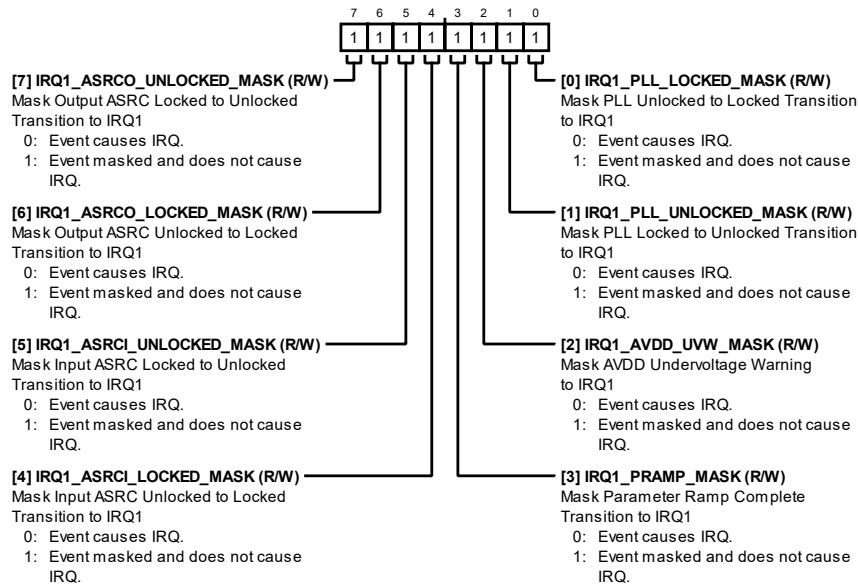


Table 203. Bit Descriptions for IRQ1_MASK2

Bits	Bit Name	Settings	Description	Reset	Access
7	IRQ1_ASRCO_UNLOCKED_MASK	0 1	Mask Output ASRC Locked to Unlocked Transition to IRQ1. Event causes IRQ. Event masked and does not cause IRQ.	0x1	R/W
6	IRQ1_ASRCO_LOCKED_MASK	0 1	Mask Output ASRC Unlocked to Locked Transition to IRQ1. Event causes IRQ. Event masked and does not cause IRQ.	0x1	R/W
5	IRQ1_ASRCI_UNLOCKED_MASK	0 1	Mask Input ASRC Locked to Unlocked Transition to IRQ1. Event causes IRQ. Event masked and does not cause IRQ.	0x1	R/W
4	IRQ1_ASRCI_LOCKED_MASK	0 1	Mask Input ASRC Unlocked to Locked Transition to IRQ1. Event causes IRQ. Event masked and does not cause IRQ.	0x1	R/W
3	IRQ1_PRAMP_MASK	0 1	Mask Parameter Ramp Complete Transition to IRQ1. Event causes IRQ. Event masked and does not cause IRQ.	0x1	R/W
2	IRQ1_AVDD_UVW_MASK	0 1	Mask AVDD Undervoltage Warning to IRQ1. Event causes IRQ. Event masked and does not cause IRQ.	0x1	R/W
1	IRQ1_PLL_UNLOCKED_MASK	0 1	Mask PLL Locked to Unlocked Transition to IRQ1. Event causes IRQ. Event masked and does not cause IRQ.	0x1	R/W
0	IRQ1_PLL_LOCKED_MASK	0 1	Mask PLL Unlocked to Locked Transition to IRQ1. Event causes IRQ. Event masked and does not cause IRQ.	0x1	R/W

Address: 0xC0A4, Reset: 0x1F, Name: IRQ1_MASK3

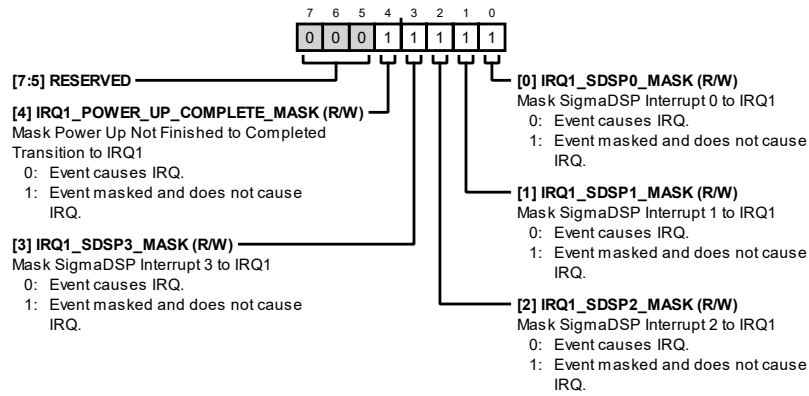


Table 204. Bit Descriptions for IRQ1_MASK3

Bits	Bit Name	Settings	Description	Reset	Access
[7:5]	RESERVED		Reserved.	0x0	R
4	IRQ1_POWER_UP_COMPLETE_MASK	0 1	Mask Power Up Not Finished to Completed Transition to IRQ1. Event causes IRQ. Event masked and does not cause IRQ.	0x1	R/W
3	IRQ1_SDSP3_MASK	0 1	Mask SigmaDSP Interrupt 3 to IRQ1. Event causes IRQ. Event masked and does not cause IRQ.	0x1	R/W
2	IRQ1_SDSP2_MASK	0 1	Mask SigmaDSP Interrupt 2 to IRQ1. Event causes IRQ. Event masked and does not cause IRQ.	0x1	R/W
1	IRQ1_SDSP1_MASK	0 1	Mask SigmaDSP Interrupt 1 to IRQ1. Event causes IRQ. Event masked and does not cause IRQ.	0x1	R/W
0	IRQ1_SDSP0_MASK	0 1	Mask SigmaDSP Interrupt 0 to IRQ1. Event causes IRQ. Event masked and does not cause IRQ.	0x1	R/W

IRQ2 MASKING REGISTERS

Address: 0xC0A5, Reset: 0xF3, Name: IRQ2_MASK1

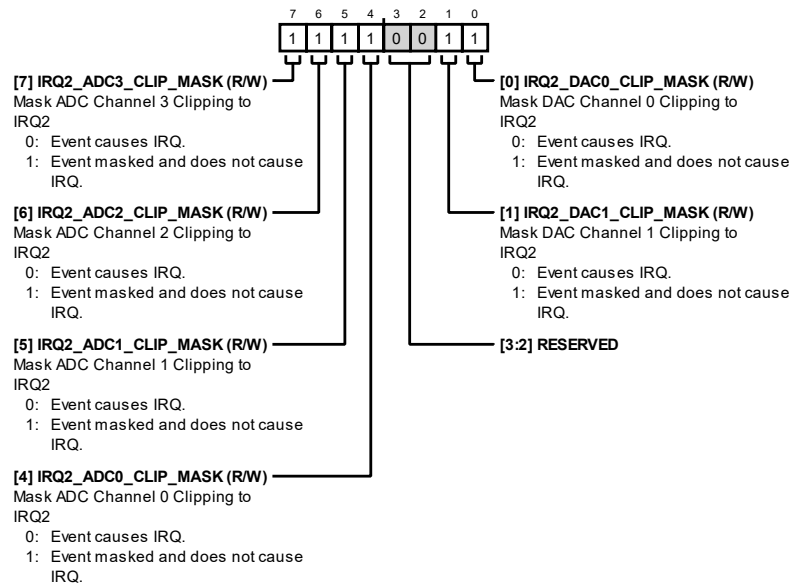


Table 205. Bit Descriptions for IRQ2_MASK1

Bits	Bit Name	Settings	Description	Reset	Access
7	IRQ2_ADC3_CLIP_MASK	0 1	Mask ADC Channel 3 Clipping to IRQ2. Event causes IRQ. Event masked and does not cause IRQ.	0x1	R/W
6	IRQ2_ADC2_CLIP_MASK	0 1	Mask ADC Channel 2 Clipping to IRQ2. Event causes IRQ. Event masked and does not cause IRQ.	0x1	R/W
5	IRQ2_ADC1_CLIP_MASK	0 1	Mask ADC Channel 1 Clipping to IRQ2. Event causes IRQ. Event masked and does not cause IRQ.	0x1	R/W
4	IRQ2_ADC0_CLIP_MASK	0 1	Mask ADC Channel 0 Clipping to IRQ2. Event causes IRQ. Event masked and does not cause IRQ.	0x1	R/W
[3:2]	RESERVED		Reserved.	0x0	R
1	IRQ2_DAC1_CLIP_MASK	0 1	Mask DAC Channel 1 Clipping to IRQ2. Event causes IRQ. Event masked and does not cause IRQ.	0x1	R/W
0	IRQ2_DAC0_CLIP_MASK	0 1	Mask DAC Channel 0 Clipping to IRQ2. Event causes IRQ. Event masked and does not cause IRQ.	0x1	R/W

Address: 0xC0A6, Reset: 0xFF, Name: IRQ2_MASK2

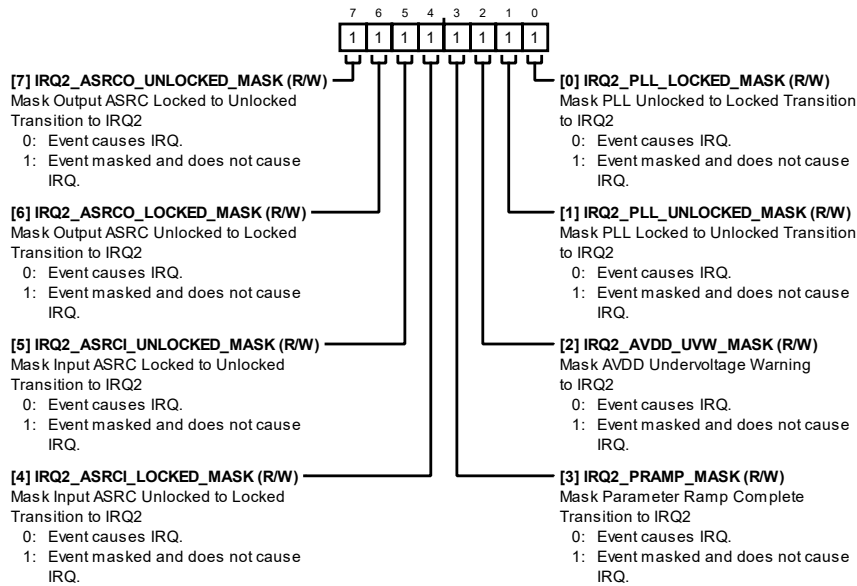


Table 206. Bit Descriptions for IRQ2_MASK2

Bits	Bit Name	Settings	Description	Reset	Access
7	IRQ2_ASRCO_UNLOCKED_MASK	0 1	Mask Output ASRC Locked to Unlocked Transition to IRQ2. Event causes IRQ. Event masked and does not cause IRQ.	0x1	R/W
6	IRQ2_ASRCO_LOCKED_MASK	0 1	Mask Output ASRC Unlocked to Locked Transition to IRQ2. Event causes IRQ. Event masked and does not cause IRQ.	0x1	R/W
5	IRQ2_ASRCI_UNLOCKED_MASK	0 1	Mask Input ASRC Locked to Unlocked Transition to IRQ2. Event causes IRQ. Event masked and does not cause IRQ.	0x1	R/W
4	IRQ2_ASRCI_LOCKED_MASK	0 1	Mask Input ASRC Unlocked to Locked Transition to IRQ2. Event causes IRQ. Event masked and does not cause IRQ.	0x1	R/W
3	IRQ2_PRAMP_MASK	0 1	Mask Parameter Ramp Complete Transition to IRQ2. Event causes IRQ. Event masked and does not cause IRQ.	0x1	R/W
2	IRQ2_AVDD_UVW_MASK	0 1	Mask AVDD Undervoltage Warning to IRQ2. Event causes IRQ. Event masked and does not cause IRQ.	0x1	R/W
1	IRQ2_PLL_UNLOCKED_MASK	0 1	Mask PLL Locked to Unlocked Transition to IRQ2. Event causes IRQ. Event masked and does not cause IRQ.	0x1	R/W
0	IRQ2_PLL_LOCKED_MASK	0 1	Mask PLL Unlocked to Locked Transition to IRQ2. Event causes IRQ. Event masked and does not cause IRQ.	0x1	R/W

Address: 0xC0A7, Reset: 0x1F, Name: IRQ2_MASK3

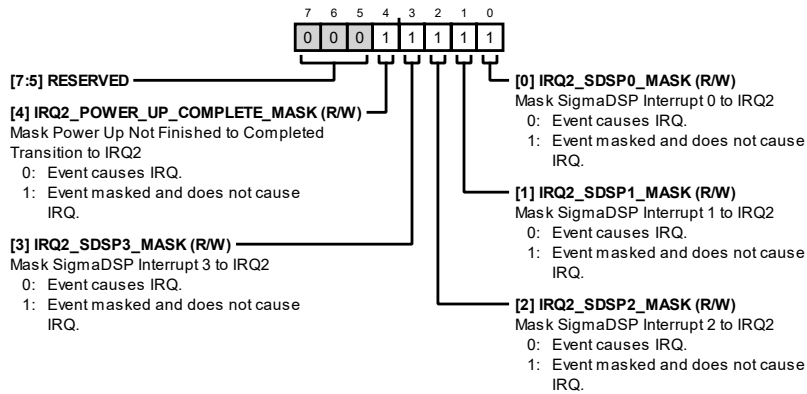


Table 207. Bit Descriptions for IRQ2_MASK3

Bits	Bit Name	Settings	Description	Reset	Access
[7:5]	RESERVED		Reserved.	0x0	R
4	IRQ2_POWER_UP_COMPLETE_MASK	0 1	Mask Power Up Not Finished to Completed Transition to IRQ2. Event causes IRQ. Event masked and does not cause IRQ.	0x1	R/W
3	IRQ2_SDSP3_MASK	0 1	Mask SigmaDSP Interrupt 3 to IRQ2. Event causes IRQ. Event masked and does not cause IRQ.	0x1	R/W
2	IRQ2_SDSP2_MASK	0 1	Mask SigmaDSP Interrupt 2 to IRQ2. Event causes IRQ. Event masked and does not cause IRQ.	0x1	R/W
1	IRQ2_SDSP1_MASK	0 1	Mask SigmaDSP Interrupt 1 to IRQ2. Event causes IRQ. Event masked and does not cause IRQ.	0x1	R/W
0	IRQ2_SDSP0_MASK	0 1	Mask SigmaDSP Interrupt 0 to IRQ2. Event causes IRQ. Event masked and does not cause IRQ.	0x1	R/W

CHIP RESETS REGISTER

Address: 0xC0A8, Reset: 0x00, Name: RESETS

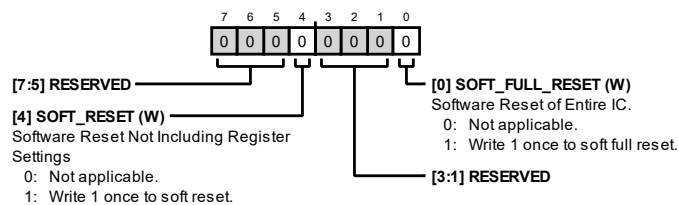


Table 208. Bit Descriptions for RESETS

Bits	Bit Name	Settings	Description	Reset	Access
[7:5]	RESERVED		Reserved.	0x0	R
4	SOFT_RESET	0 1	Software Reset Not Including Register Settings. Not applicable. Write 1 once to soft reset.	0x0	W
[3:1]	RESERVED		Reserved.	0x0	R
0	SOFT_FULL_RESET	0 1	Software Reset of Entire IC. Not applicable. Write 1 once to soft full reset.	0x0	W

FastDSP CURRENT LAMBDA REGISTER

Address: 0xC0A9, Reset: 0x3F, Name: READ_LAMBDA

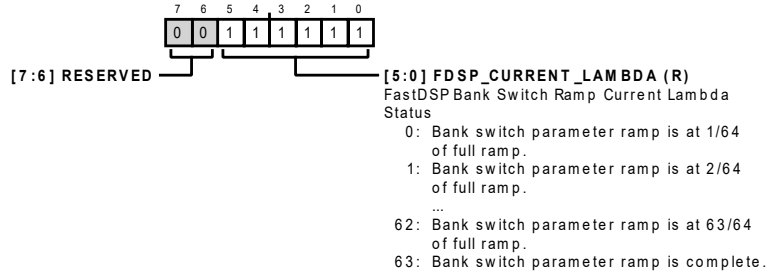


Table 209. Bit Descriptions for READ_LAMBDA

Bits	Bit Name	Settings	Description	Reset	Access
[7:6]	RESERVED		Reserved.	0x0	R
[5:0]	F_DSP_CURRENT_LAMBDA	<ul style="list-style-type: none"> 0 Bank switch parameter ramp is at 1/64 of full ramp. 1 Bank switch parameter ramp is at 2/64 of full ramp. ... 62 Bank switch parameter ramp is at 63/64 of full ramp. 63 Bank switch parameter ramp is complete. 	FastDSP Bank Switch Ramp Current Lambda Status. Lambda is a 6-bit value representing the point along the linear interpolation curve between two banks at which the bank ramp switch stops. $0 = ((63/64) \times A + (1/64) \times B)$, $1 = ((62/64) \times A + (2/64) \times B)$, ..., $62 = ((1/64) \times A + (63/64) \times B)$, and $63 = B$ (default) lambda can be updated on-the-fly via the control interface. To complete a bank switch, a value of 63 (default setting) must be set. Actual current ramp point (F_DSP_CURRENT_LAMBDA: 0 to 63) can be read via a status register. When this point reaches 63, the bank switch is complete, and the current parameters used matches the current bank. Actual step size of linear interpolation is ~12 bits (4096 steps). Parameters in banks that are being ramped between should not change during a bank switch.	0x3F	R

CHIP STATUS 1 REGISTER

Address: 0xC0AA, Reset: 0x00, Name: STATUS1

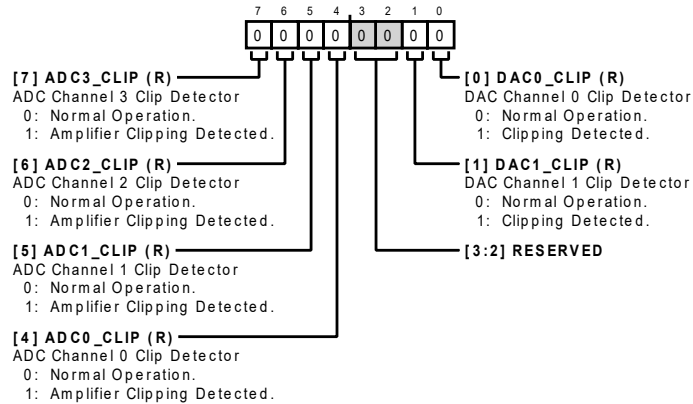


Table 210. Bit Descriptions for STATUS1

Bits	Bit Name	Settings	Description	Reset	Access
7	ADC3_CLIP	0 1	ADC Channel 3 Clip Detector. Normal Operation. Amplifier Clipping Detected.	0x0	R
6	ADC2_CLIP	0 1	ADC Channel 2 Clip Detector. Normal Operation. Amplifier Clipping Detected.	0x0	R
5	ADC1_CLIP	0 1	ADC Channel 1 Clip Detector. Normal Operation. Amplifier Clipping Detected.	0x0	R
4	ADC0_CLIP	0 1	ADC Channel 0 Clip Detector. Normal Operation. Amplifier Clipping Detected.	0x0	R
[3:2]	RESERVED		Reserved.	0x0	R
1	DAC1_CLIP	0 1	DAC Channel 1 Clip Detector. Normal Operation. Clipping Detected.	0x0	R
0	DAC0_CLIP	0 1	DAC Channel 0 Clip Detector. Normal Operation. Clipping Detected.	0x0	R

CHIP STATUS 2 REGISTER

Address: 0xC0AB, Reset: 0x00, Name: STATUS2

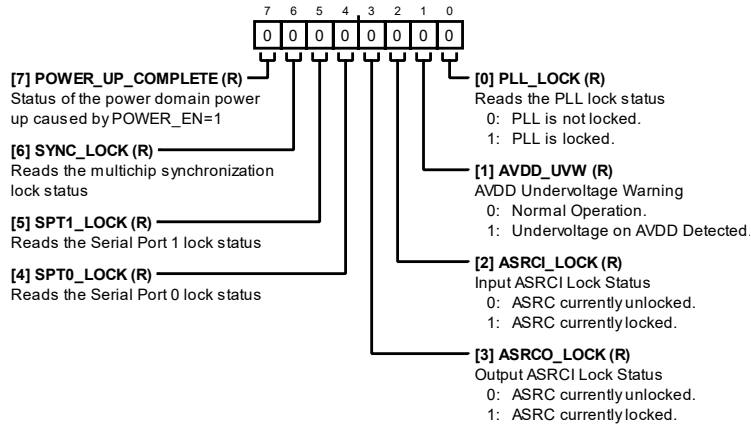


Table 211. Bit Descriptions for STATUS2

Bits	Bit Name	Settings	Description	Reset	Access
7	POWER_UP_COMPLETE		Status of the power domain power up caused by POWER_EN = 1.	0x0	R
6	SYNC_LOCK		Reads the multichip synchronization lock status.	0x0	R
5	SPT1_LOCK		Reads the Serial Port 1 lock status.	0x0	R
4	SPT0_LOCK		Reads the Serial Port 0 lock status.	0x0	R
3	ASRCO_LOCK		Output ASRCI Lock Status.	0x0	R
		0	ASRC currently unlocked.		
		1	ASRC currently locked.		
2	ASRCI_LOCK		Input ASRCI Lock Status.	0x0	R
		0	ASRC currently unlocked.		
		1	ASRC currently locked.		
1	AVDD_UVW		AVDD Undervoltage Warning.	0x0	R
		0	Normal Operation.		
		1	Undervoltage on AVDD Detected.		
0	PLL_LOCK		Reads the PLL lock status.	0x0	R
		0	PLL is not locked.		
		1	PLL is locked.		

GENERAL-PURPOSE INPUT READ 0 TO INPUT READ 7 REGISTER

Address: 0xC0AC, Reset: 0x00, Name: GPI1

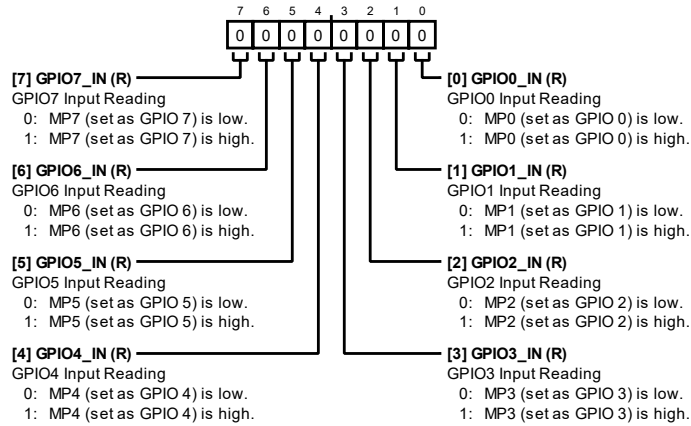


Table 212. Bit Descriptions for GPI1

Bits	Bit Name	Settings	Description	Reset	Access
7	GPIO7_IN	0 1	GPIO7 Input Reading. MP7 (set as GPIO 7) is low. MP7 (set as GPIO 7) is high.	0x0	R
6	GPIO6_IN	0 1	GPIO6 Input Reading. MP6 (set as GPIO 6) is low. MP6 (set as GPIO 6) is high.	0x0	R
5	GPIO5_IN	0 1	GPIO5 Input Reading. MP5 (set as GPIO 5) is low. MP5 (set as GPIO 5) is high.	0x0	R
4	GPIO4_IN	0 1	GPIO4 Input Reading. MP4 (set as GPIO 4) is low. MP4 (set as GPIO 4) is high.	0x0	R
3	GPIO3_IN	0 1	GPIO3 Input Reading. MP3 (set as GPIO 3) is low. MP3 (set as GPIO 3) is high.	0x0	R
2	GPIO2_IN	0 1	GPIO2 Input Reading. MP2 (set as GPIO 2) is low. MP2 (set as GPIO 2) is high.	0x0	R
1	GPIO1_IN	0 1	GPIO1 Input Reading. MP1 (set as GPIO 1) is low. MP1 (set as GPIO 1) is high.	0x0	R
0	GPIO0_IN	0 1	GPIO0 Input Reading. MP0 (set as GPIO 0) is low. MP0 (set as GPIO 0) is high.	0x0	R

GENERAL-PURPOSE INPUT READ 8 TO INPUT READ 10 REGISTER

Address: 0xC0AD, Reset: 0x00, Name: GPI2

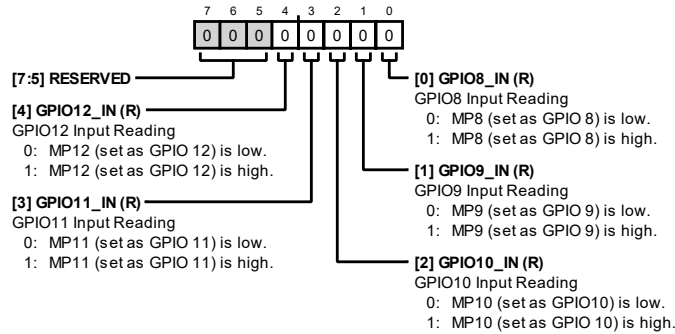


Table 213. Bit Descriptions for GPI2

Bits	Bit Name	Settings	Description	Reset	Access
[7:5]	RESERVED		Reserved.	0x0	R
4	GPIO12_IN		GPIO12 Input Reading. 0 MP12 (set as GPIO 12) is low. 1 MP12 (set as GPIO 12) is high.	0x0	R
3	GPIO11_IN		GPIO11 Input Reading. 0 MP11 (set as GPIO 11) is low. 1 MP11 (set as GPIO 11) is high.	0x0	R
2	GPIO10_IN		GPIO10 Input Reading. 0 MP10 (set as GPIO10) is low. 1 MP10 (set as GPIO 10) is high.	0x0	R
1	GPIO9_IN		GPIO9 Input Reading. 0 MP9 (set as GPIO 9) is low. 1 MP9 (set as GPIO 9) is high.	0x0	R
0	GPIO8_IN		GPIO8 Input Reading. 0 MP8 (set as GPIO 8) is low. 1 MP8 (set as GPIO 8) is high.	0x0	R

DSP STATUS REGISTER

Address: 0xC0AE, Reset: 0x00, Name: DSP_STATUS

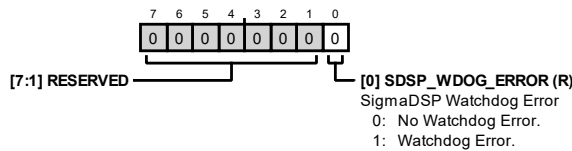


Table 214. Bit Descriptions for DSP_STATUS

Bits	Bit Name	Settings	Description	Reset	Access
[7:1]	RESERVED		Reserved.	0x0	R
0	SDSP_WDOG_ERROR		SigmaDSP Watchdog Error. 0 No Watchdog Error. 1 Watchdog Error.	0x0	R

IRQ1 STATUS 1 REGISTER

Address: 0xC0AF, Reset: 0x00, Name: IRQ1_STATUS1

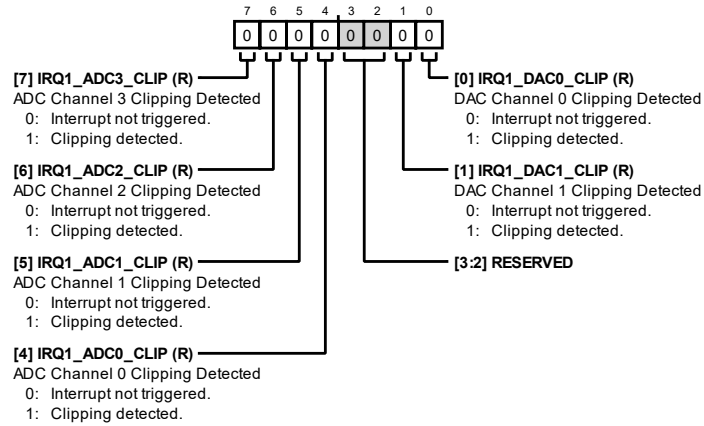


Table 215. Bit Descriptions for IRQ1_STATUS1

Bits	Bit Name	Settings	Description	Reset	Access
7	IRQ1_ADC3_CLIP	0 1	ADC Channel 3 Clipping Detected. Interrupt not triggered. Clipping detected.	0x0	R
6	IRQ1_ADC2_CLIP	0 1	ADC Channel 2 Clipping Detected. Interrupt not triggered. Clipping detected.	0x0	R
5	IRQ1_ADC1_CLIP	0 1	ADC Channel 1 Clipping Detected. Interrupt not triggered. Clipping detected.	0x0	R
4	IRQ1_ADC0_CLIP	0 1	ADC Channel 0 Clipping Detected Interrupt not triggered. Clipping detected.	0x0	R
[3:2]	RESERVED		Reserved.	0x0	R
1	IRQ1_DAC1_CLIP	0 1	DAC Channel 1 Clipping Detected. Interrupt not triggered. Clipping detected.	0x0	R
0	IRQ1_DAC0_CLIP	0 1	DAC Channel 0 Clipping Detected. Interrupt not triggered. Clipping detected.	0x0	R

IRQ1 STATUS 2 REGISTER

Address: 0xC0B0, Reset: 0x00, Name: IRQ1_STATUS2

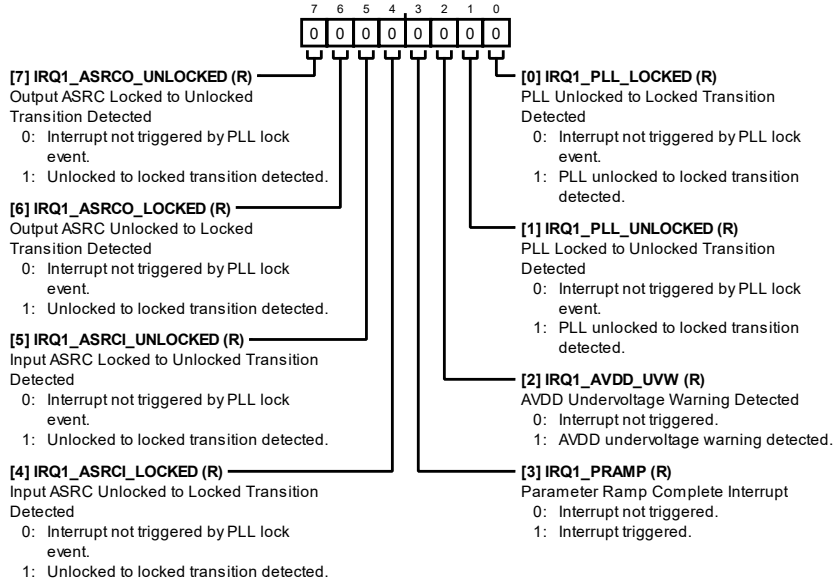


Table 216. Bit Descriptions for IRQ1_STATUS2

Bits	Bit Name	Settings	Description	Reset	Access
7	IRQ1_ASRCO_UNLOCKED	0 1	Output ASRC Locked to Unlocked Transition Detected. Interrupt not triggered by PLL lock event. Unlocked to locked transition detected.	0x0	R
6	IRQ1_ASRCO_LOCKED	0 1	Output ASRC Unlocked to Locked Transition Detected. Interrupt not triggered by PLL lock event. Unlocked to locked transition detected.	0x0	R
5	IRQ1_ASRCI_UNLOCKED	0 1	Input ASRC Locked to Unlocked Transition Detected. Interrupt not triggered by PLL lock event. Unlocked to locked transition detected.	0x0	R
4	IRQ1_ASRCI_LOCKED	0 1	Input ASRC Unlocked to Locked Transition Detected. Interrupt not triggered by PLL lock event. Unlocked to locked transition detected.	0x0	R
3	IRQ1_PRAMP	0 1	Parameter Ramp Complete Interrupt. Interrupt not triggered. Interrupt triggered.	0x0	R
2	IRQ1_AVDD_UVW	0 1	AVDD Undervoltage Warning Detected. Interrupt not triggered. AVDD undervoltage warning detected.	0x0	R
1	IRQ1_PLL_UNLOCKED	0 1	PLL Locked to Unlocked Transition Detected. Interrupt not triggered by PLL lock event. PLL unlocked to locked transition detected.	0x0	R
0	IRQ1_PLL_LOCKED	0 1	PLL Unlocked to Locked Transition Detected. Interrupt not triggered by PLL lock event. PLL unlocked to locked transition detected.	0x0	R

IRQ1 STATUS 3 REGISTER

Address: 0xC0B1, Reset: 0x00, Name: IRQ1_STATUS3

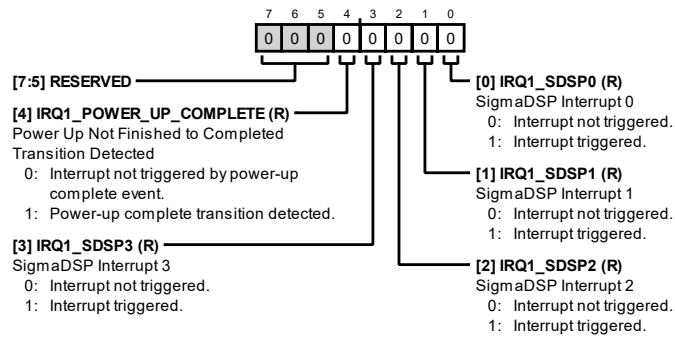


Table 217. Bit Descriptions for IRQ1_STATUS3

Bits	Bit Name	Settings	Description	Reset	Access
[7:5]	RESERVED		Reserved.	0x0	R
4	IRQ1_POWER_UP_COMPLETE	0 1	Power Up Not Finished to Completed Transition Detected. Interrupt not triggered by power-up complete event. Power-up complete transition detected.	0x0	R
3	IRQ1_SDSP3	0 1	SigmaDSP Interrupt 3. Interrupt not triggered. Interrupt triggered.	0x0	R
2	IRQ1_SDSP2	0 1	SigmaDSP Interrupt 2. Interrupt not triggered. Interrupt triggered.	0x0	R
1	IRQ1_SDSP1	0 1	SigmaDSP Interrupt 1. Interrupt not triggered. Interrupt triggered.	0x0	R
0	IRQ1_SDSP0	0 1	SigmaDSP Interrupt 0. Interrupt not triggered. Interrupt triggered.	0x0	R

IRQ2 STATUS 1 REGISTER

Address: 0xC0B2, Reset: 0x00, Name: IRQ2_STATUS1

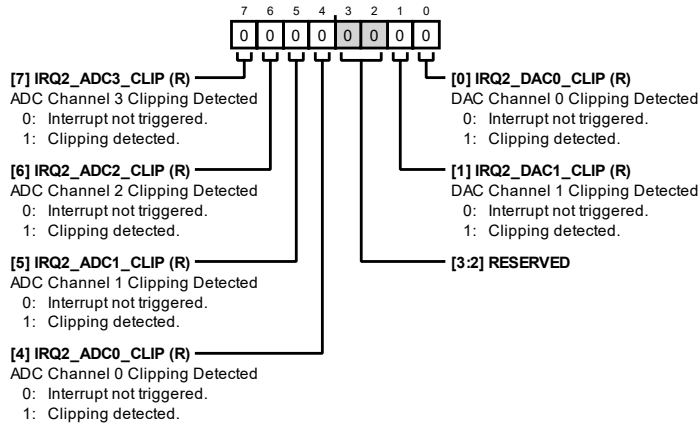


Table 218. Bit Descriptions for IRQ2_STATUS1

Bits	Bit Name	Settings	Description	Reset	Access
7	IRQ2_ADC3_CLIP	0 1	ADC Channel 3 Clipping Detected. Interrupt not triggered. Clipping detected.	0x0	R
6	IRQ2_ADC2_CLIP	0 1	ADC Channel 2 Clipping Detected. Interrupt not triggered. Clipping detected.	0x0	R
5	IRQ2_ADC1_CLIP	0 1	ADC Channel 1 Clipping Detected. Interrupt not triggered. Clipping detected.	0x0	R
4	IRQ2_ADC0_CLIP	0 1	ADC Channel 0 Clipping Detected. Interrupt not triggered. Clipping detected.	0x0	R
[3:2]	RESERVED		Reserved.	0x0	R
1	IRQ2_DAC1_CLIP	0 1	DAC Channel 1 Clipping Detected. Interrupt not triggered. Clipping detected.	0x0	R
0	IRQ2_DAC0_CLIP	0 1	DAC Channel 0 Clipping Detected. Interrupt not triggered. Clipping detected.	0x0	R

IRQ2 STATUS 2 REGISTER

Address: 0xC0B3, Reset: 0x00, Name: IRQ2_STATUS2

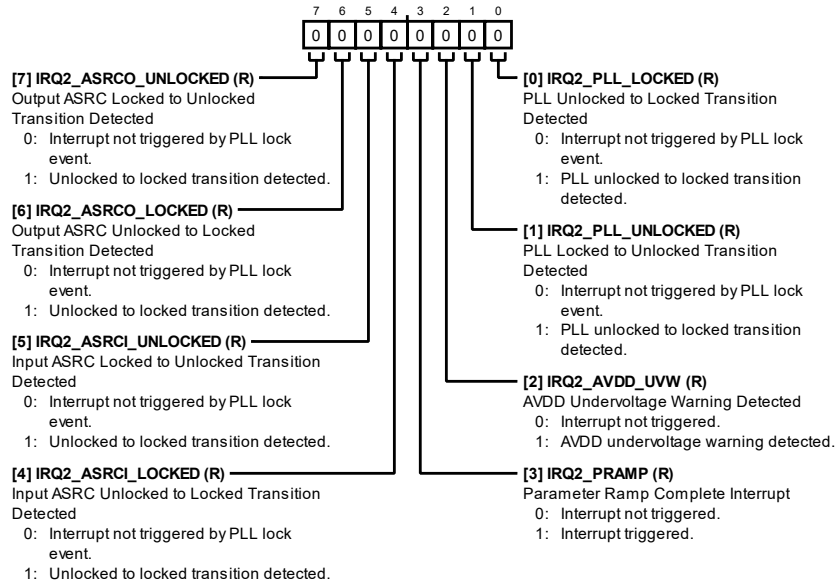


Table 219. Bit Descriptions for IRQ2_STATUS2

Bits	Bit Name	Settings	Description	Reset	Access
7	IRQ2_ASRCO_UNLOCKED	0 1	Output ASRC Locked to Unlocked Transition Detected. Interrupt not triggered by PLL lock event. Unlocked to locked transition detected.	0x0	R
6	IRQ2_ASRCO_LOCKED	0 1	Output ASRC Unlocked to Locked Transition Detected. Interrupt not triggered by PLL lock event. Unlocked to locked transition detected.	0x0	R
5	IRQ2_ASRCI_UNLOCKED	0 1	Input ASRC Locked to Unlocked Transition Detected. Interrupt not triggered by PLL lock event. Unlocked to locked transition detected.	0x0	R
4	IRQ2_ASRCI_LOCKED	0 1	Input ASRC Unlocked to Locked Transition Detected. Interrupt not triggered by PLL lock event. Unlocked to locked transition detected.	0x0	R
3	IRQ2_PRAMP	0 1	Parameter Ramp Complete Interrupt. Interrupt not triggered. Interrupt triggered.	0x0	R
2	IRQ2_AVDD_UVW	0 1	AVDD Undervoltage Warning Detected. Interrupt not triggered. AVDD undervoltage warning detected.	0x0	R
1	IRQ2_PLL_UNLOCKED	0 1	PLL Locked to Unlocked Transition Detected. Interrupt not triggered by PLL lock event. PLL unlocked to locked transition detected.	0x0	R
0	IRQ2_PLL_LOCKED	0 1	PLL Unlocked to Locked Transition Detected. Interrupt not triggered by PLL lock event. PLL unlocked to locked transition detected.	0x0	R

IRQ2 STATUS 3 REGISTER

Address: 0xC0B4, Reset: 0x00, Name: IRQ2_STATUS3

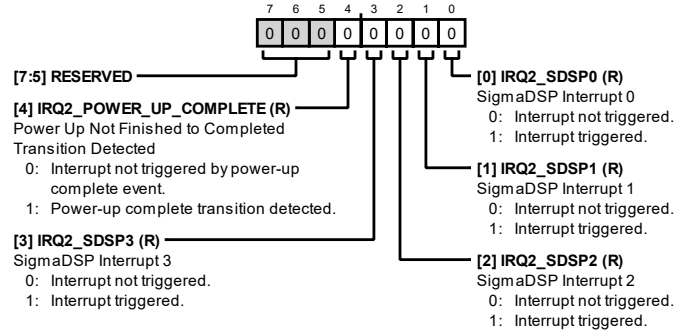


Table 220. Bit Descriptions for IRQ2_STATUS3

Bits	Bit Name	Settings	Description	Reset	Access
[7:5]	RESERVED		Reserved.	0x0	R
4	IRQ2_POWER_UP_COMPLETE	0 1	Power Up Not Finished to Completed Transition Detected. Interrupt not triggered by power-up complete event. Power-up complete transition detected.	0x0	R
3	IRQ2_SDSP3	0 1	SigmaDSP Interrupt 3. Interrupt not triggered. Interrupt triggered.	0x0	R
2	IRQ2_SDSP2	0 1	SigmaDSP Interrupt 2. Interrupt not triggered. Interrupt triggered.	0x0	R
1	IRQ2_SDSP1	0 1	SigmaDSP Interrupt 1. Interrupt not triggered. Interrupt triggered.	0x0	R
0	IRQ2_SDSP0	0 1	SigmaDSP Interrupt 0. Interrupt not triggered. Interrupt triggered.	0x0	R

SERIAL PORT 0 CONTROL 1 REGISTER

Address: 0xC0B5, Reset: 0x00, Name: SPT0_CTRL1

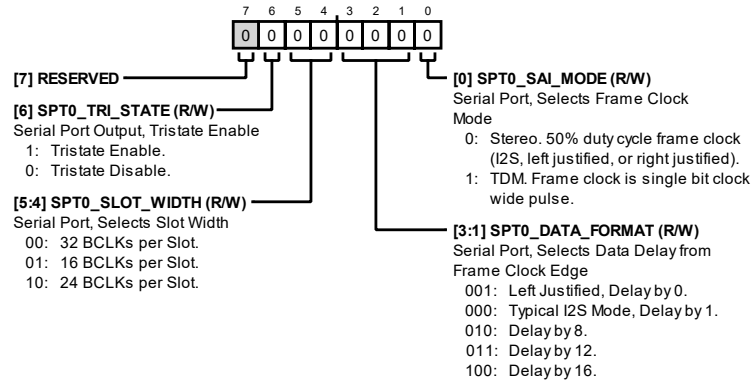


Table 221. Bit Descriptions for SPT0_CTRL1

Bits	Bit Name	Settings	Description	Reset	Access
7	RESERVED		Reserved.	0x0	R/W
6	SPT0_TRI_STATE	1 0	Serial Port Output, Tristate Enable. Tristate Enable. Tristate Disabled.	0x0	R/W
[5:4]	SPT0_SLOT_WIDTH	00 01 10	Serial Port, Selects Slot Width. 32 BCLKs per Slot. 16 BCLKs per Slot. 24 BCLKs per Slot.	0x0	R/W
[3:1]	SPT0_DATA_FORMAT	001 000 010 011 100	Serial Port, Selects Data Format from Frame Clock Edge. Left Justified, Delay by 0. Typical I ² S Mode, Delay by 1. Delay by 8. Delay by 12. Delay by 16.	0x0	R/W
0	SPT0_SAI_MODE	0 1	Serial Port, Selects Frame Clock Mode. Stereo. 50% duty-cycle frame clock (I ² S, left justified, or right justified). TDM. Frame clock is single bit clock wide pulse.	0x0	R/W

SERIAL PORT 0 CONTROL 2 REGISTER

Address: 0xC0B6, Reset: 0x00, Name: SPT0_CTRL2

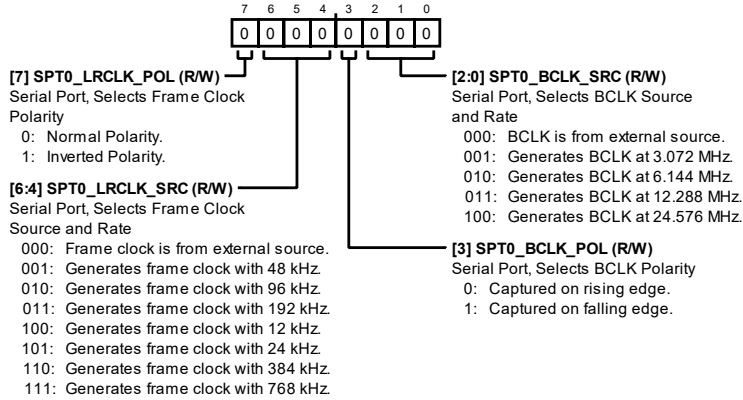


Table 222. Bit Descriptions for SPT0_CTRL2

Bits	Bit Name	Settings	Description	Reset	Access
7	SPT0_LRCLK_POL	0 1	Serial Port, Selects Frame Clock Polarity. Normal Polarity. Inverted Polarity.	0x0	R/W
[6:4]	SPT0_LRCLK_SRC	000 001 010 011 100 101 110 111	Serial Port, Selects Frame Clock Source and Rate. Frame clock is from external source. Generates frame clock with 48 kHz. Generates frame clock with 96 kHz. Generates frame clock with 192 kHz. Generates frame clock with 12 kHz. Generates frame clock with 24 kHz. Generates frame clock with 384 kHz. Generates frame clock with 768 kHz.	0x0	R/W
3	SPT0_BCLK_POL	0 1	Serial Port, Selects BCLK Polarity. Captured on rising edge. Captured on falling edge.	0x0	R/W
[2:0]	SPT0_BCLK_SRC	000 001 010 011 100	Serial Port, Selects BCLK Source and Rate. BCLK is from external source. Generates BCLK at 3.072 MHz. Generates BCLK at 6.144 MHz. Generates BCLK at 12.288 MHz. Generates BCLK at 24.576 MHz.	0x0	R/W

SERIAL PORT 0 OUTPUT ROUTING SLOT 0 (LEFT REGISTER)

Address: 0xC0B7, Reset: 0x10, Name: SPT0_ROUTE0

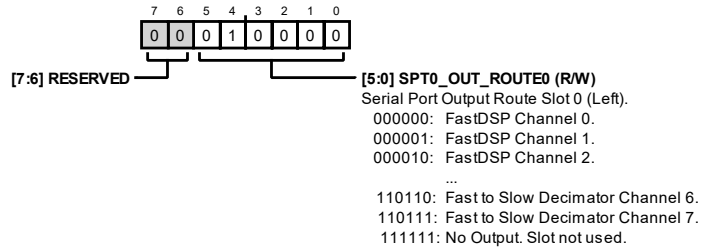


Table 223. Bit Descriptions for SPT0_ROUTE0

Bits	Bit Name	Settings	Description	Reset	Access
[7:6]	RESERVED		Reserved.	0x0	R
[5:0]	SPT0_OUT_ROUTE0	000000 FastDSP Channel 0. 000001 FastDSP Channel 1. 000010 FastDSP Channel 2. 000011 FastDSP Channel 3. 000100 FastDSP Channel 4. 000101 FastDSP Channel 5. 000110 FastDSP Channel 6. 000111 FastDSP Channel 7. 001000 FastDSP Channel 8. 001001 FastDSP Channel 9. 001010 FastDSP Channel 10. 001011 FastDSP Channel 11. 001100 FastDSP Channel 12. 001101 FastDSP Channel 13. 001110 FastDSP Channel 14. 001111 FastDSP Channel 15. 010000 SigmaDSP Channel 0. 010001 SigmaDSP Channel 1. 010010 SigmaDSP Channel 2. 010011 SigmaDSP Channel 3. 010100 SigmaDSP Channel 4. 010101 SigmaDSP Channel 5. 010110 SigmaDSP Channel 6. 010111 SigmaDSP Channel 7. 011000 SigmaDSP Channel 8. 011001 SigmaDSP Channel 9. 011010 SigmaDSP Channel 10. 011011 SigmaDSP Channel 11. 011100 SigmaDSP Channel 12. 011101 SigmaDSP Channel 13. 011110 SigmaDSP Channel 14. 011111 SigmaDSP Channel 15. 100000 Output ASRC Channel 0. 100001 Output ASRC Channel 1. 100010 Output ASRC Channel 2. 100011 Output ASRC Channel 3.	Serial Port Output Route Slot 0 (Left).	0x10	R/W

Bits	Bit Name	Settings	Description	Reset	Access
		100100	ADC Channel 0.		
		100101	ADC Channel 1.		
		100110	ADC Channel 2.		
		100111	ADC Channel 3.		
		101000	Digital Microphone Channel 0.		
		101001	Digital Microphone Channel 1.		
		101010	Digital Microphone Channel 2.		
		101011	Digital Microphone Channel 3.		
		101100	Digital Microphone Channel 4.		
		101101	Digital Microphone Channel 5.		
		101110	Digital Microphone Channel 6.		
		101111	Digital Microphone Channel 7.		
		110000	Fast to Slow Decimator Channel 0.		
		110001	Fast to Slow Decimator Channel 1.		
		110010	Fast to Slow Decimator Channel 2.		
		110011	Fast to Slow Decimator Channel 3.		
		110100	Fast to Slow Decimator Channel 4.		
		110101	Fast to Slow Decimator Channel 5.		
		110110	Fast to Slow Decimator Channel 6.		
		110111	Fast to Slow Decimator Channel 7.		
		111111	No Output. Slot not used.		

SERIAL PORT 0 OUTPUT ROUTING SLOT 1 (RIGHT REGISTER)

Address: 0xC0B8, Reset: 0x11, Name: SPT0_ROUTE1

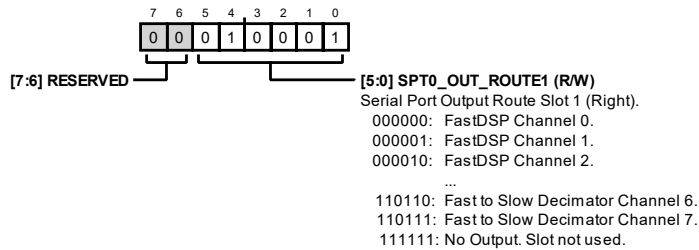


Table 224. Bit Descriptions for SPT0_ROUTE1

Bits	Bit Name	Settings	Description	Reset	Access
[7:6]	RESERVED		Reserved.	0x0	R
[5:0]	SPT0_OUT_ROUTE1	000000 000001 000010 000011 000100 000101 000110 000111 001000 001001 001010 001011	Serial Port Output Route Slot 1 (Right). FastDSP Channel 0. FastDSP Channel 1. FastDSP Channel 2. FastDSP Channel 3. FastDSP Channel 4. FastDSP Channel 5. FastDSP Channel 6. FastDSP Channel 7. FastDSP Channel 8. FastDSP Channel 9. FastDSP Channel 10. FastDSP Channel 11.	0x11	R/W

Bits	Bit Name	Settings	Description	Reset	Access
		001100	FastDSP Channel 12.		
		001101	FastDSP Channel 13.		
		001110	FastDSP Channel 14.		
		001111	FastDSP Channel 15.		
		010000	SigmaDSP Channel 0.		
		010001	SigmaDSP Channel 1.		
		010010	SigmaDSP Channel 2.		
		010011	SigmaDSP Channel 3.		
		010100	SigmaDSP Channel 4.		
		010101	SigmaDSP Channel 5.		
		010110	SigmaDSP Channel 6.		
		010111	SigmaDSP Channel 7.		
		011000	SigmaDSP Channel 8.		
		011001	SigmaDSP Channel 9.		
		011010	SigmaDSP Channel 10.		
		011011	SigmaDSP Channel 11.		
		011100	SigmaDSP Channel 12.		
		011101	SigmaDSP Channel 13.		
		011110	SigmaDSP Channel 14.		
		011111	SigmaDSP Channel 15.		
		100000	Output ASRC Channel 0.		
		100001	Output ASRC Channel 1.		
		100010	Output ASRC Channel 2.		
		100011	Output ASRC Channel 3.		
		100100	ADC Channel 0.		
		100101	ADC Channel 1.		
		100110	ADC Channel 2.		
		100111	ADC Channel 3.		
		101000	Digital Microphone Channel 0.		
		101001	Digital Microphone Channel 1.		
		101010	Digital Microphone Channel 2.		
		101011	Digital Microphone Channel 3.		
		101100	Digital Microphone Channel 4.		
		101101	Digital Microphone Channel 5.		
		101110	Digital Microphone Channel 6.		
		101111	Digital Microphone Channel 7.		
		110000	Fast to Slow Decimator Channel 0.		
		110001	Fast to Slow Decimator Channel 1.		
		110010	Fast to Slow Decimator Channel 2.		
		110011	Fast to Slow Decimator Channel 3.		
		110100	Fast to Slow Decimator Channel 4.		
		110101	Fast to Slow Decimator Channel 5.		
		110110	Fast to Slow Decimator Channel 6.		
		110111	Fast to Slow Decimator Channel 7.		
		111111	No Output. Slot not used.		

SERIAL PORT 0 OUTPUT ROUTING SLOT 2 REGISTER

Address: 0xC0B9, Reset: 0x3F, Name: SPT0_ROUTE2

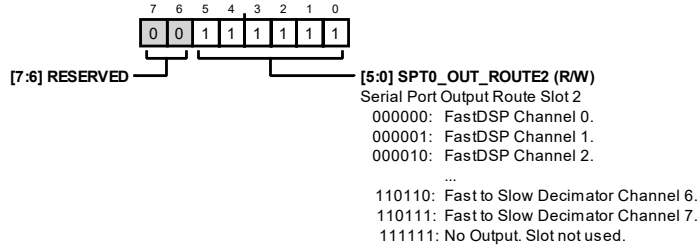


Table 225. Bit Descriptions for SPT0_ROUTE2

Bits	Bit Name	Settings	Description	Reset	Access
[7:6]	RESERVED		Reserved.	0x0	R
[5:0]	SPT0_OUT_ROUTE2	000000 FastDSP Channel 0. 000001 FastDSP Channel 1. 000010 FastDSP Channel 2. 000011 FastDSP Channel 3. 000100 FastDSP Channel 4. 000101 FastDSP Channel 5. 000110 FastDSP Channel 6. 000111 FastDSP Channel 7. 001000 FastDSP Channel 8. 001001 FastDSP Channel 9. 001010 FastDSP Channel 10. 001011 FastDSP Channel 11. 001100 FastDSP Channel 12. 001101 FastDSP Channel 13. 001110 FastDSP Channel 14. 001111 FastDSP Channel 15. 010000 SigmaDSP Channel 0. 010001 SigmaDSP Channel 1. 010010 SigmaDSP Channel 2. 010011 SigmaDSP Channel 3. 010100 SigmaDSP Channel 4. 010101 SigmaDSP Channel 5. 010110 SigmaDSP Channel 6. 010111 SigmaDSP Channel 7. 011000 SigmaDSP Channel 8. 011001 SigmaDSP Channel 9. 011010 SigmaDSP Channel 10. 011011 SigmaDSP Channel 11. 011100 SigmaDSP Channel 12. 011101 SigmaDSP Channel 13. 011110 SigmaDSP Channel 14. 011111 SigmaDSP Channel 15. 100000 Output ASRC Channel 0. 100001 Output ASRC Channel 1. 100010 Output ASRC Channel 2. 100011 Output ASRC Channel 3.	0x3F	R/W	

Bits	Bit Name	Settings	Description	Reset	Access
		100100	ADC Channel 0.		
		100101	ADC Channel 1.		
		100110	ADC Channel 2.		
		100111	ADC Channel 3.		
		101000	Digital Microphone Channel 0.		
		101001	Digital Microphone Channel 1.		
		101010	Digital Microphone Channel 2.		
		101011	Digital Microphone Channel 3.		
		101100	Digital Microphone Channel 4.		
		101101	Digital Microphone Channel 5.		
		101110	Digital Microphone Channel 6.		
		101111	Digital Microphone Channel 7.		
		110000	Fast to Slow Decimator Channel 0.		
		110001	Fast to Slow Decimator Channel 1.		
		110010	Fast to Slow Decimator Channel 2.		
		110011	Fast to Slow Decimator Channel 3.		
		110100	Fast to Slow Decimator Channel 4.		
		110101	Fast to Slow Decimator Channel 5.		
		110110	Fast to Slow Decimator Channel 6.		
		110111	Fast to Slow Decimator Channel 7.		
		111111	No Output. Slot not used.		

SERIAL PORT 0 OUTPUT ROUTING SLOT 3 REGISTER

Address: 0xC0BA, Reset: 0x3F, Name: SPT0_ROUTE3

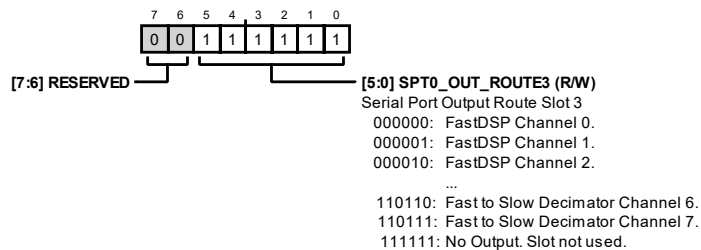


Table 226. Bit Descriptions for SPT0_ROUTE3

Bits	Bit Name	Settings	Description	Reset	Access
[7:6]	RESERVED		Reserved.	0x0	R
[5:0]	SPT0_OUT_ROUTE3	000000 000001 000010 000011 000100 000101 000110 000111 001000 001001 001010 001011	Serial Port Output Route Slot 3. FastDSP Channel 0. FastDSP Channel 1. FastDSP Channel 2. FastDSP Channel 3. FastDSP Channel 4. FastDSP Channel 5. FastDSP Channel 6. FastDSP Channel 7. FastDSP Channel 8. FastDSP Channel 9. FastDSP Channel 10. FastDSP Channel 11.	0x3F	R/W

Bits	Bit Name	Settings	Description	Reset	Access
		001100	FastDSP Channel 12.		
		001101	FastDSP Channel 13.		
		001110	FastDSP Channel 14.		
		001111	FastDSP Channel 15.		
		010000	SigmaDSP Channel 0.		
		010001	SigmaDSP Channel 1.		
		010010	SigmaDSP Channel 2.		
		010011	SigmaDSP Channel 3.		
		010100	SigmaDSP Channel 4.		
		010101	SigmaDSP Channel 5.		
		010110	SigmaDSP Channel 6.		
		010111	SigmaDSP Channel 7.		
		011000	SigmaDSP Channel 8.		
		011001	SigmaDSP Channel 9.		
		011010	SigmaDSP Channel 10.		
		011011	SigmaDSP Channel 11.		
		011100	SigmaDSP Channel 12.		
		011101	SigmaDSP Channel 13.		
		011110	SigmaDSP Channel 14.		
		011111	SigmaDSP Channel 15.		
		100000	Output ASRC Channel 0.		
		100001	Output ASRC Channel 1.		
		100010	Output ASRC Channel 2.		
		100011	Output ASRC Channel 3.		
		100100	ADC Channel 0.		
		100101	ADC Channel 1.		
		100110	ADC Channel 2.		
		100111	ADC Channel 3.		
		101000	Digital Microphone Channel 0.		
		101001	Digital Microphone Channel 1.		
		101010	Digital Microphone Channel 2.		
		101011	Digital Microphone Channel 3.		
		101100	Digital Microphone Channel 4.		
		101101	Digital Microphone Channel 5.		
		101110	Digital Microphone Channel 6.		
		101111	Digital Microphone Channel 7.		
		110000	Fast to Slow Decimator Channel 0.		
		110001	Fast to Slow Decimator Channel 1.		
		110010	Fast to Slow Decimator Channel 2.		
		110011	Fast to Slow Decimator Channel 3.		
		110100	Fast to Slow Decimator Channel 4.		
		110101	Fast to Slow Decimator Channel 5.		
		110110	Fast to Slow Decimator Channel 6.		
		110111	Fast to Slow Decimator Channel 7.		
		111111	No Output. Slot not used.		

SERIAL PORT 0 OUTPUT ROUTING SLOT 4 REGISTER

Address: 0xC0BB, Reset: 0x3F, Name: SPT0_ROUTE4

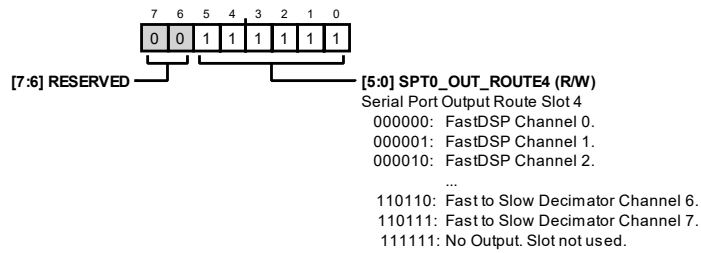


Table 227. Bit Descriptions for SPT0_ROUTE4

Bits	Bit Name	Settings	Description	Reset	Access
[7:6]	RESERVED		Reserved.	0x0	R
[5:0]	SPT0_OUT_ROUTE4		Serial Port Output Route Slot 4.	0x3F	R/W
		000000	FastDSP Channel 0.		
		000001	FastDSP Channel 1.		
		000010	FastDSP Channel 2.		
		000011	FastDSP Channel 3.		
		000100	FastDSP Channel 4.		
		000101	FastDSP Channel 5.		
		000110	FastDSP Channel 6.		
		000111	FastDSP Channel 7.		
		001000	FastDSP Channel 8.		
		001001	FastDSP Channel 9.		
		001010	FastDSP Channel 10.		
		001011	FastDSP Channel 11.		
		001100	FastDSP Channel 12.		
		001101	FastDSP Channel 13.		
		001110	FastDSP Channel 14.		
		001111	FastDSP Channel 15.		
		010000	SigmaDSP Channel 0.		
		010001	SigmaDSP Channel 1.		
		010010	SigmaDSP Channel 2.		
		010011	SigmaDSP Channel 3.		
		010100	SigmaDSP Channel 4.		
		010101	SigmaDSP Channel 5.		
		010110	SigmaDSP Channel 6.		
		010111	SigmaDSP Channel 7.		
		011000	SigmaDSP Channel 8.		
		011001	SigmaDSP Channel 9.		
		011010	SigmaDSP Channel 10.		
		011011	SigmaDSP Channel 11.		
		011100	SigmaDSP Channel 12.		
		011101	SigmaDSP Channel 13.		
		011110	SigmaDSP Channel 14.		
		011111	SigmaDSP Channel 15.		
		100000	Output ASRC Channel 0.		
		100001	Output ASRC Channel 1.		
		100010	Output ASRC Channel 2.		
		100011	Output ASRC Channel 3.		

Bits	Bit Name	Settings	Description	Reset	Access
		100100	ADC Channel 0.		
		100101	ADC Channel 1.		
		100110	ADC Channel 2.		
		100111	ADC Channel 3.		
		101000	Digital Microphone Channel 0.		
		101001	Digital Microphone Channel 1.		
		101010	Digital Microphone Channel 2.		
		101011	Digital Microphone Channel 3.		
		101100	Digital Microphone Channel 4.		
		101101	Digital Microphone Channel 5.		
		101110	Digital Microphone Channel 6.		
		101111	Digital Microphone Channel 7.		
		110000	Fast to Slow Decimator Channel 0.		
		110001	Fast to Slow Decimator Channel 1.		
		110010	Fast to Slow Decimator Channel 2.		
		110011	Fast to Slow Decimator Channel 3.		
		110100	Fast to Slow Decimator Channel 4.		
		110101	Fast to Slow Decimator Channel 5.		
		110110	Fast to Slow Decimator Channel 6.		
		110111	Fast to Slow Decimator Channel 7.		
		111111	No Output. Slot not used.		

SERIAL PORT 0 OUTPUT ROUTING SLOT 5 REGISTER

Address: 0xC0BC, Reset: 0x3F, Name: SPT0_ROUTE5

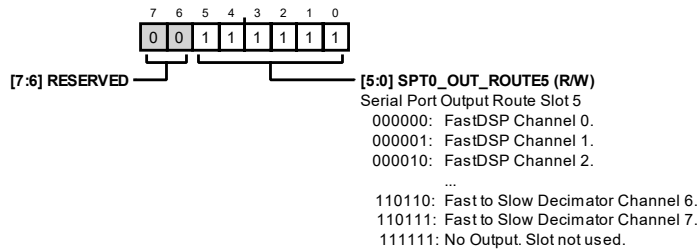


Table 228. Bit Descriptions for SPT0_ROUTE5

Bits	Bit Name	Settings	Description	Reset	Access
[7:6]	RESERVED		Reserved.	0x0	R
[5:0]	SPT0_OUT_ROUTE5	000000 000001 000010 000011 000100 000101 000110 000111 001000 001001 001010 001011	Serial Port Output Route Slot 5. FastDSP Channel 0. FastDSP Channel 1. FastDSP Channel 2. FastDSP Channel 3. FastDSP Channel 4. FastDSP Channel 5. FastDSP Channel 6. FastDSP Channel 7. FastDSP Channel 8. FastDSP Channel 9. FastDSP Channel 10. FastDSP Channel 11.	0x3F	R/W

Bits	Bit Name	Settings	Description	Reset	Access
		001100	FastDSP Channel 12.		
		001101	FastDSP Channel 13.		
		001110	FastDSP Channel 14.		
		001111	FastDSP Channel 15.		
		010000	SigmaDSP Channel 0.		
		010001	SigmaDSP Channel 1.		
		010010	SigmaDSP Channel 2.		
		010011	SigmaDSP Channel 3.		
		010100	SigmaDSP Channel 4.		
		010101	SigmaDSP Channel 5.		
		010110	SigmaDSP Channel 6.		
		010111	SigmaDSP Channel 7.		
		011000	SigmaDSP Channel 8.		
		011001	SigmaDSP Channel 9.		
		011010	SigmaDSP Channel 10.		
		011011	SigmaDSP Channel 11.		
		011100	SigmaDSP Channel 12.		
		011101	SigmaDSP Channel 13.		
		011110	SigmaDSP Channel 14.		
		011111	SigmaDSP Channel 15.		
		100000	Output ASRC Channel 0.		
		100001	Output ASRC Channel 1.		
		100010	Output ASRC Channel 2.		
		100011	Output ASRC Channel 3.		
		100100	ADC Channel 0.		
		100101	ADC Channel 1.		
		100110	ADC Channel 2.		
		100111	ADC Channel 3.		
		101000	Digital Microphone Channel 0.		
		101001	Digital Microphone Channel 1.		
		101010	Digital Microphone Channel 2.		
		101011	Digital Microphone Channel 3.		
		101100	Digital Microphone Channel 4.		
		101101	Digital Microphone Channel 5.		
		101110	Digital Microphone Channel 6.		
		101111	Digital Microphone Channel 7.		
		110000	Fast to Slow Decimator Channel 0.		
		110001	Fast to Slow Decimator Channel 1.		
		110010	Fast to Slow Decimator Channel 2.		
		110011	Fast to Slow Decimator Channel 3.		
		110100	Fast to Slow Decimator Channel 4.		
		110101	Fast to Slow Decimator Channel 5.		
		110110	Fast to Slow Decimator Channel 6.		
		110111	Fast to Slow Decimator Channel 7.		
		111111	No Output. Slot not used.		

SERIAL PORT 0 OUTPUT ROUTING SLOT 6 REGISTER

Address: 0xC0BD, Reset: 0x3F, Name: SPT0_ROUTE6

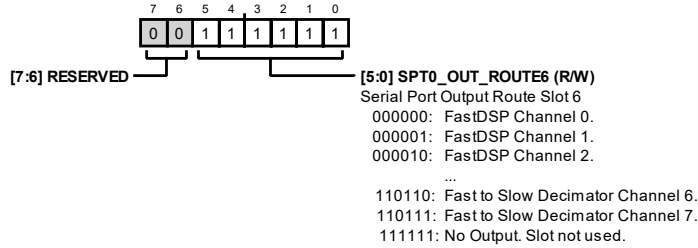


Table 229. Bit Descriptions for SPT0_ROUTE6

Bits	Bit Name	Settings	Description	Reset	Access
[7:6]	RESERVED		Reserved.	0x0	R
[5:0]	SPT0_OUT_ROUTE6		Serial Port Output Route Slot 6.	0x3F	R/W
		000000	FastDSP Channel 0.		
		000001	FastDSP Channel 1.		
		000010	FastDSP Channel 2.		
		000011	FastDSP Channel 3.		
		000100	FastDSP Channel 4.		
		000101	FastDSP Channel 5.		
		000110	FastDSP Channel 6.		
		000111	FastDSP Channel 7.		
		001000	FastDSP Channel 8.		
		001001	FastDSP Channel 9.		
		001010	FastDSP Channel 10.		
		001011	FastDSP Channel 11.		
		001100	FastDSP Channel 12.		
		001101	FastDSP Channel 13.		
		001110	FastDSP Channel 14.		
		001111	FastDSP Channel 15.		
		010000	SigmaDSP Channel 0.		
		010001	SigmaDSP Channel 1.		
		010010	SigmaDSP Channel 2.		
		010011	SigmaDSP Channel 3.		
		010100	SigmaDSP Channel 4.		
		010101	SigmaDSP Channel 5.		
		010110	SigmaDSP Channel 6.		
		010111	SigmaDSP Channel 7.		
		011000	SigmaDSP Channel 8.		
		011001	SigmaDSP Channel 9.		
		011010	SigmaDSP Channel 10.		
		011011	SigmaDSP Channel 11.		
		011100	SigmaDSP Channel 12.		
		011101	SigmaDSP Channel 13.		
		011110	SigmaDSP Channel 14.		
		011111	SigmaDSP Channel 15.		
		100000	Output ASRC Channel 0.		
		100001	Output ASRC Channel 1.		
		100010	Output ASRC Channel 2.		
		100011	Output ASRC Channel 3.		

Bits	Bit Name	Settings	Description	Reset	Access
		100100	ADC Channel 0.		
		100101	ADC Channel 1.		
		100110	ADC Channel 2.		
		100111	ADC Channel 3.		
		101000	Digital Microphone Channel 0.		
		101001	Digital Microphone Channel 1.		
		101010	Digital Microphone Channel 2.		
		101011	Digital Microphone Channel 3.		
		101100	Digital Microphone Channel 4.		
		101101	Digital Microphone Channel 5.		
		101110	Digital Microphone Channel 6.		
		101111	Digital Microphone Channel 7.		
		110000	Fast to Slow Decimator Channel 0.		
		110001	Fast to Slow Decimator Channel 1.		
		110010	Fast to Slow Decimator Channel 2.		
		110011	Fast to Slow Decimator Channel 3.		
		110100	Fast to Slow Decimator Channel 4.		
		110101	Fast to Slow Decimator Channel 5.		
		110110	Fast to Slow Decimator Channel 6.		
		110111	Fast to Slow Decimator Channel 7.		
		111111	No Output. Slot not used.		

SERIAL PORT 0 OUTPUT ROUTING SLOT 7 REGISTER

Address: 0xC0BE, Reset: 0x3F, Name: SPT0_ROUTE7

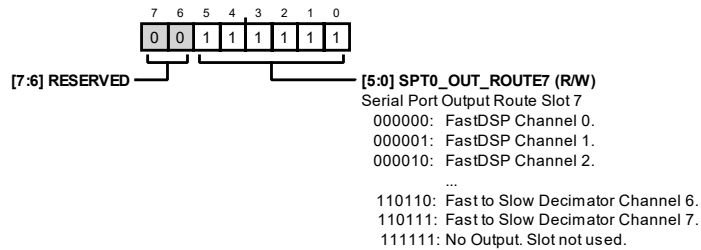


Table 230. Bit Descriptions for SPT0_ROUTE7

Bits	Bit Name	Settings	Description	Reset	Access
[7:6]	RESERVED		Reserved.	0x0	R
[5:0]	SPT0_OUT_ROUTE7	000000 000001 000010 000011 000100 000101 000110 000111 001000 001001 001010 001011	Serial Port Output Route Slot 7. FastDSP Channel 0. FastDSP Channel 1. FastDSP Channel 2. FastDSP Channel 3. FastDSP Channel 4. FastDSP Channel 5. FastDSP Channel 6. FastDSP Channel 7. FastDSP Channel 8. FastDSP Channel 9. FastDSP Channel 10. FastDSP Channel 11.	0x3F	R/W

Bits	Bit Name	Settings	Description	Reset	Access
		001100	FastDSP Channel 12.		
		001101	FastDSP Channel 13.		
		001110	FastDSP Channel 14.		
		001111	FastDSP Channel 15.		
		010000	SigmaDSP Channel 0.		
		010001	SigmaDSP Channel 1.		
		010010	SigmaDSP Channel 2.		
		010011	SigmaDSP Channel 3.		
		010100	SigmaDSP Channel 4.		
		010101	SigmaDSP Channel 5.		
		010110	SigmaDSP Channel 6.		
		010111	SigmaDSP Channel 7.		
		011000	SigmaDSP Channel 8.		
		011001	SigmaDSP Channel 9.		
		011010	SigmaDSP Channel 10.		
		011011	SigmaDSP Channel 11.		
		011100	SigmaDSP Channel 12.		
		011101	SigmaDSP Channel 13.		
		011110	SigmaDSP Channel 14.		
		011111	SigmaDSP Channel 15.		
		100000	Output ASRC Channel 0.		
		100001	Output ASRC Channel 1.		
		100010	Output ASRC Channel 2.		
		100011	Output ASRC Channel 3.		
		100100	ADC Channel 0.		
		100101	ADC Channel 1.		
		100110	ADC Channel 2.		
		100111	ADC Channel 3.		
		101000	Digital Microphone Channel 0.		
		101001	Digital Microphone Channel 1.		
		101010	Digital Microphone Channel 2.		
		101011	Digital Microphone Channel 3.		
		101100	Digital Microphone Channel 4.		
		101101	Digital Microphone Channel 5.		
		101110	Digital Microphone Channel 6.		
		101111	Digital Microphone Channel 7.		
		110000	Fast to Slow Decimator Channel 0.		
		110001	Fast to Slow Decimator Channel 1.		
		110010	Fast to Slow Decimator Channel 2.		
		110011	Fast to Slow Decimator Channel 3.		
		110100	Fast to Slow Decimator Channel 4.		
		110101	Fast to Slow Decimator Channel 5.		
		110110	Fast to Slow Decimator Channel 6.		
		110111	Fast to Slow Decimator Channel 7.		
		111111	No Output. Slot not used.		

SERIAL PORT 0 OUTPUT ROUTING SLOT 8 REGISTER

Address: 0xC0BF, Reset: 0x3F, Name: SPT0_ROUTE8

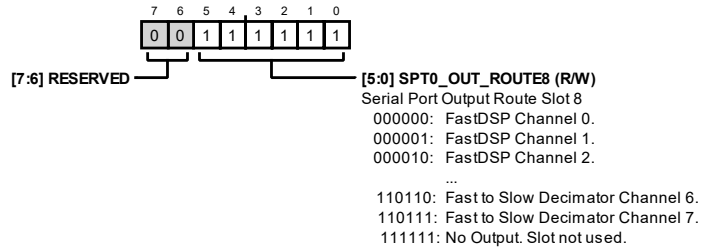


Table 231. Bit Descriptions for SPT0_ROUTE8

Bits	Bit Name	Settings	Description	Reset	Access
[7:6]	RESERVED		Reserved.	0x0	R
[5:0]	SPT0_OUT_ROUTE8		Serial Port Output Route Slot 8.	0x3F	R/W
		000000	FastDSP Channel 0.		
		000001	FastDSP Channel 1.		
		000010	FastDSP Channel 2.		
		000011	FastDSP Channel 3.		
		000100	FastDSP Channel 4.		
		000101	FastDSP Channel 5.		
		000110	FastDSP Channel 6.		
		000111	FastDSP Channel 7.		
		001000	FastDSP Channel 8.		
		001001	FastDSP Channel 9.		
		001010	FastDSP Channel 10.		
		001011	FastDSP Channel 11.		
		001100	FastDSP Channel 12.		
		001101	FastDSP Channel 13.		
		001110	FastDSP Channel 14.		
		001111	FastDSP Channel 15.		
		010000	SigmaDSP Channel 0.		
		010001	SigmaDSP Channel 1.		
		010010	SigmaDSP Channel 2.		
		010011	SigmaDSP Channel 3.		
		010100	SigmaDSP Channel 4.		
		010101	SigmaDSP Channel 5.		
		010110	SigmaDSP Channel 6.		
		010111	SigmaDSP Channel 7.		
		011000	SigmaDSP Channel 8.		
		011001	SigmaDSP Channel 9.		
		011010	SigmaDSP Channel 10.		
		011011	SigmaDSP Channel 11.		
		011100	SigmaDSP Channel 12.		
		011101	SigmaDSP Channel 13.		
		011110	SigmaDSP Channel 14.		
		011111	SigmaDSP Channel 15.		
		100000	Output ASRC Channel 0.		
		100001	Output ASRC Channel 1.		
		100010	Output ASRC Channel 2.		
		100011	Output ASRC Channel 3.		

Bits	Bit Name	Settings	Description	Reset	Access
		100100	ADC Channel 0.		
		100101	ADC Channel 1.		
		100110	ADC Channel 2.		
		100111	ADC Channel 3.		
		101000	Digital Microphone Channel 0.		
		101001	Digital Microphone Channel 1.		
		101010	Digital Microphone Channel 2.		
		101011	Digital Microphone Channel 3.		
		101100	Digital Microphone Channel 4.		
		101101	Digital Microphone Channel 5.		
		101110	Digital Microphone Channel 6.		
		101111	Digital Microphone Channel 7.		
		110000	Fast to Slow Decimator Channel 0.		
		110001	Fast to Slow Decimator Channel 1.		
		110010	Fast to Slow Decimator Channel 2.		
		110011	Fast to Slow Decimator Channel 3.		
		110100	Fast to Slow Decimator Channel 4.		
		110101	Fast to Slow Decimator Channel 5.		
		110110	Fast to Slow Decimator Channel 6.		
		110111	Fast to Slow Decimator Channel 7.		
		111111	No Output. Slot not used.		

SERIAL PORT 0 OUTPUT ROUTING SLOT 9 REGISTER

Address: 0xC0C0, Reset: 0x3F, Name: SPT0_ROUTE9

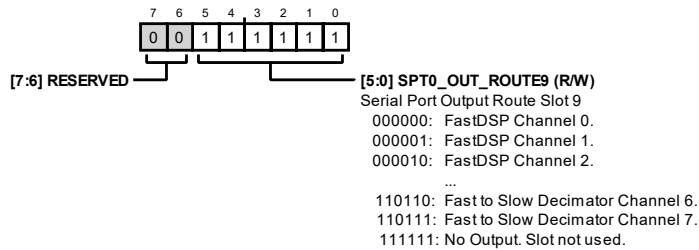


Table 232. Bit Descriptions for SPT0_ROUTE9

Bits	Bit Name	Settings	Description	Reset	Access
[7:6]	RESERVED		Reserved.	0x0	R
[5:0]	SPT0_OUT_ROUTE9	000000	FastDSP Channel 0.	0x3F	R/W
		000001	FastDSP Channel 1.		
		000010	FastDSP Channel 2.		
		000011	FastDSP Channel 3.		
		000100	FastDSP Channel 4.		
		000101	FastDSP Channel 5.		
		000110	FastDSP Channel 6.		
		000111	FastDSP Channel 7.		
		001000	FastDSP Channel 8.		
		001001	FastDSP Channel 9.		
		001010	FastDSP Channel 10.		
		001011	FastDSP Channel 11.		

Bits	Bit Name	Settings	Description	Reset	Access
		001100	FastDSP Channel 12.		
		001101	FastDSP Channel 13.		
		001110	FastDSP Channel 14.		
		001111	FastDSP Channel 15.		
		010000	SigmaDSP Channel 0.		
		010001	SigmaDSP Channel 1.		
		010010	SigmaDSP Channel 2.		
		010011	SigmaDSP Channel 3.		
		010100	SigmaDSP Channel 4.		
		010101	SigmaDSP Channel 5.		
		010110	SigmaDSP Channel 6.		
		010111	SigmaDSP Channel 7.		
		011000	SigmaDSP Channel 8.		
		011001	SigmaDSP Channel 9.		
		011010	SigmaDSP Channel 10.		
		011011	SigmaDSP Channel 11.		
		011100	SigmaDSP Channel 12.		
		011101	SigmaDSP Channel 13.		
		011110	SigmaDSP Channel 14.		
		011111	SigmaDSP Channel 15.		
		100000	Output ASRC Channel 0.		
		100001	Output ASRC Channel 1.		
		100010	Output ASRC Channel 2.		
		100011	Output ASRC Channel 3.		
		100100	ADC Channel 0.		
		100101	ADC Channel 1.		
		100110	ADC Channel 2.		
		100111	ADC Channel 3.		
		101000	Digital Microphone Channel 0.		
		101001	Digital Microphone Channel 1.		
		101010	Digital Microphone Channel 2.		
		101011	Digital Microphone Channel 3.		
		101100	Digital Microphone Channel 4.		
		101101	Digital Microphone Channel 5.		
		101110	Digital Microphone Channel 6.		
		101111	Digital Microphone Channel 7.		
		110000	Fast to Slow Decimator Channel 0.		
		110001	Fast to Slow Decimator Channel 1.		
		110010	Fast to Slow Decimator Channel 2.		
		110011	Fast to Slow Decimator Channel 3.		
		110100	Fast to Slow Decimator Channel 4.		
		110101	Fast to Slow Decimator Channel 5.		
		110110	Fast to Slow Decimator Channel 6.		
		110111	Fast to Slow Decimator Channel 7.		
		111111	No Output. Slot not used.		

SERIAL PORT 0 OUTPUT ROUTING SLOT 10 REGISTER

Address: 0xC0C1, Reset: 0x3F, Name: SPT0_ROUTE10

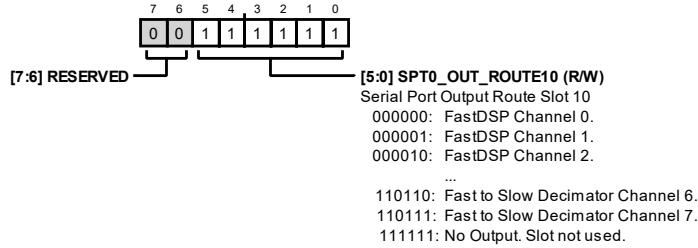


Table 233. Bit Descriptions for SPT0_ROUTE10

Bits	Bit Name	Settings	Description	Reset	Access
[7:6]	RESERVED		Reserved.	0x0	R
[5:0]	SPT0_OUT_ROUTE10		Serial Port Output Route Slot 10.	0x3F	R/W
		000000	FastDSP Channel 0.		
		000001	FastDSP Channel 1.		
		000010	FastDSP Channel 2.		
		000011	FastDSP Channel 3.		
		000100	FastDSP Channel 4.		
		000101	FastDSP Channel 5.		
		000110	FastDSP Channel 6.		
		000111	FastDSP Channel 7.		
		001000	FastDSP Channel 8.		
		001001	FastDSP Channel 9.		
		001010	FastDSP Channel 10.		
		001011	FastDSP Channel 11.		
		001100	FastDSP Channel 12.		
		001101	FastDSP Channel 13.		
		001110	FastDSP Channel 14.		
		001111	FastDSP Channel 15.		
		010000	SigmaDSP Channel 0.		
		010001	SigmaDSP Channel 1.		
		010010	SigmaDSP Channel 2.		
		010011	SigmaDSP Channel 3.		
		010100	SigmaDSP Channel 4.		
		010101	SigmaDSP Channel 5.		
		010110	SigmaDSP Channel 6.		
		010111	SigmaDSP Channel 7.		
		011000	SigmaDSP Channel 8.		
		011001	SigmaDSP Channel 9.		
		011010	SigmaDSP Channel 10.		
		011011	SigmaDSP Channel 11.		
		011100	SigmaDSP Channel 12.		
		011101	SigmaDSP Channel 13.		
		011110	SigmaDSP Channel 14.		
		011111	SigmaDSP Channel 15.		
		100000	Output ASRC Channel 0.		
		100001	Output ASRC Channel 1.		
		100010	Output ASRC Channel 2.		
		100011	Output ASRC Channel 3.		

Bits	Bit Name	Settings	Description	Reset	Access
		100100	ADC Channel 0.		
		100101	ADC Channel 1.		
		100110	ADC Channel 2.		
		100111	ADC Channel 3.		
		101000	Digital Microphone Channel 0.		
		101001	Digital Microphone Channel 1.		
		101010	Digital Microphone Channel 2.		
		101011	Digital Microphone Channel 3.		
		101100	Digital Microphone Channel 4.		
		101101	Digital Microphone Channel 5.		
		101110	Digital Microphone Channel 6.		
		101111	Digital Microphone Channel 7.		
		110000	Fast to Slow Decimator Channel 0.		
		110001	Fast to Slow Decimator Channel 1.		
		110010	Fast to Slow Decimator Channel 2.		
		110011	Fast to Slow Decimator Channel 3.		
		110100	Fast to Slow Decimator Channel 4.		
		110101	Fast to Slow Decimator Channel 5.		
		110110	Fast to Slow Decimator Channel 6.		
		110111	Fast to Slow Decimator Channel 7.		
		111111	No Output. Slot not used.		

SERIAL PORT 0 OUTPUT ROUTING SLOT 11 REGISTER

Address: 0xC0C2, Reset: 0x3F, Name: SPT0_ROUTE11

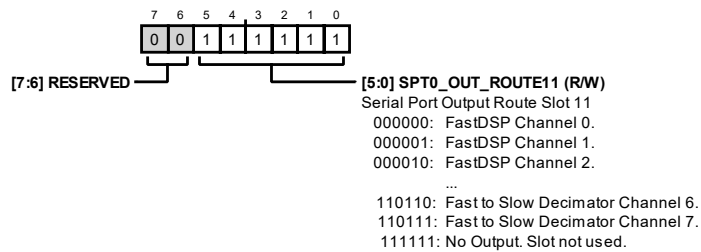


Table 234. Bit Descriptions for SPT0_ROUTE11

Bits	Bit Name	Settings	Description	Reset	Access
[7:6]	RESERVED		Reserved.	0x0	R
[5:0]	SPT0_OUT_ROUTE11	000000	FastDSP Channel 0.	0x3F	R/W
		000001	FastDSP Channel 1.		
		000010	FastDSP Channel 2.		
		000011	FastDSP Channel 3.		
		000100	FastDSP Channel 4.		
		000101	FastDSP Channel 5.		
		000110	FastDSP Channel 6.		
		000111	FastDSP Channel 7.		
		001000	FastDSP Channel 8.		
		001001	FastDSP Channel 9.		
		001010	FastDSP Channel 10.		
		001011	FastDSP Channel 11.		

Bits	Bit Name	Settings	Description	Reset	Access
		001100	FastDSP Channel 12.		
		001101	FastDSP Channel 13.		
		001110	FastDSP Channel 14.		
		001111	FastDSP Channel 15.		
		010000	SigmaDSP Channel 0.		
		010001	SigmaDSP Channel 1.		
		010010	SigmaDSP Channel 2.		
		010011	SigmaDSP Channel 3.		
		010100	SigmaDSP Channel 4.		
		010101	SigmaDSP Channel 5.		
		010110	SigmaDSP Channel 6.		
		010111	SigmaDSP Channel 7.		
		011000	SigmaDSP Channel 8.		
		011001	SigmaDSP Channel 9.		
		011010	SigmaDSP Channel 10.		
		011011	SigmaDSP Channel 11.		
		011100	SigmaDSP Channel 12.		
		011101	SigmaDSP Channel 13.		
		011110	SigmaDSP Channel 14.		
		011111	SigmaDSP Channel 15.		
		100000	Output ASRC Channel 0.		
		100001	Output ASRC Channel 1.		
		100010	Output ASRC Channel 2.		
		100011	Output ASRC Channel 3.		
		100100	ADC Channel 0.		
		100101	ADC Channel 1.		
		100110	ADC Channel 2.		
		100111	ADC Channel 3.		
		101000	Digital Microphone Channel 0.		
		101001	Digital Microphone Channel 1.		
		101010	Digital Microphone Channel 2.		
		101011	Digital Microphone Channel 3.		
		101100	Digital Microphone Channel 4.		
		101101	Digital Microphone Channel 5.		
		101110	Digital Microphone Channel 6.		
		101111	Digital Microphone Channel 7.		
		110000	Fast to Slow Decimator Channel 0.		
		110001	Fast to Slow Decimator Channel 1.		
		110010	Fast to Slow Decimator Channel 2.		
		110011	Fast to Slow Decimator Channel 3.		
		110100	Fast to Slow Decimator Channel 4.		
		110101	Fast to Slow Decimator Channel 5.		
		110110	Fast to Slow Decimator Channel 6.		
		110111	Fast to Slow Decimator Channel 7.		
		111111	No Output. Slot not used.		

SERIAL PORT 0 OUTPUT ROUTING SLOT 12 REGISTER

Address: 0xC0C3, Reset: 0x3F, Name: SPT0_ROUTE12

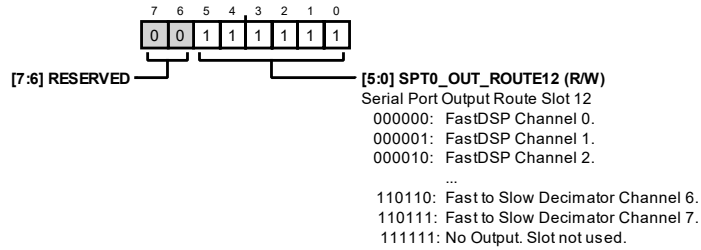


Table 235. Bit Descriptions for SPT0_ROUTE12

Bits	Bit Name	Settings	Description	Reset	Access
[7:6]	RESERVED		Reserved.	0x0	R
[5:0]	SPT0_OUT_ROUTE12	000000 000001 000010 000011 000100 000101 000110 000111 001000 001001 001010 001011 001100 001101 001110 001111 010000 010001 010010 010011 010100 010101 010110 010111 011000 011001 011010 011011 011100 011101 011110 011111 100000 100001 100010 100011	Serial Port Output Route Slot 12. FastDSP Channel 0. FastDSP Channel 1. FastDSP Channel 2. FastDSP Channel 3. FastDSP Channel 4. FastDSP Channel 5. FastDSP Channel 6. FastDSP Channel 7. FastDSP Channel 8. FastDSP Channel 9. FastDSP Channel 10. FastDSP Channel 11. FastDSP Channel 12. FastDSP Channel 13. FastDSP Channel 14. FastDSP Channel 15. SigmaDSP Channel 0. SigmaDSP Channel 1. SigmaDSP Channel 2. SigmaDSP Channel 3. SigmaDSP Channel 4. SigmaDSP Channel 5. SigmaDSP Channel 6. SigmaDSP Channel 7. SigmaDSP Channel 8. SigmaDSP Channel 9. SigmaDSP Channel 10. SigmaDSP Channel 11. SigmaDSP Channel 12. SigmaDSP Channel 13. SigmaDSP Channel 14. SigmaDSP Channel 15. Output ASRC Channel 0. Output ASRC Channel 1. Output ASRC Channel 2. Output ASRC Channel 3.	0x3F	R/W

Bits	Bit Name	Settings	Description	Reset	Access
		100100	ADC Channel 0.		
		100101	ADC Channel 1.		
		100110	ADC Channel 2.		
		100111	ADC Channel 3.		
		101000	Digital Microphone Channel 0.		
		101001	Digital Microphone Channel 1.		
		101010	Digital Microphone Channel 2.		
		101011	Digital Microphone Channel 3.		
		101100	Digital Microphone Channel 4.		
		101101	Digital Microphone Channel 5.		
		101110	Digital Microphone Channel 6.		
		101111	Digital Microphone Channel 7.		
		110000	Fast to Slow Decimator Channel 0.		
		110001	Fast to Slow Decimator Channel 1.		
		110010	Fast to Slow Decimator Channel 2.		
		110011	Fast to Slow Decimator Channel 3.		
		110100	Fast to Slow Decimator Channel 4.		
		110101	Fast to Slow Decimator Channel 5.		
		110110	Fast to Slow Decimator Channel 6.		
		110111	Fast to Slow Decimator Channel 7.		
		111111	No Output. Slot not used.		

SERIAL PORT 0 OUTPUT ROUTING SLOT 13 REGISTER

Address: 0xC0C4, Reset: 0x3F, Name: SPT0_ROUTE13

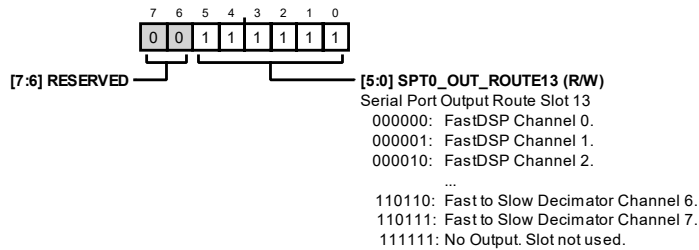


Table 236. Bit Descriptions for SPT0_ROUTE13

Bits	Bit Name	Settings	Description	Reset	Access
[7:6]	RESERVED		Reserved.	0x0	R
[5:0]	SPT0_OUT_ROUTE13	000000 000001 000010 000011 000100 000101 000110 000111 001000 001001 001010 001011	Serial Port Output Route Slot 13. FastDSP Channel 0. FastDSP Channel 1. FastDSP Channel 2. FastDSP Channel 3. FastDSP Channel 4. FastDSP Channel 5. FastDSP Channel 6. FastDSP Channel 7. FastDSP Channel 8. FastDSP Channel 9. FastDSP Channel 10. FastDSP Channel 11.	0x3F	R/W

Bits	Bit Name	Settings	Description	Reset	Access
		001100	FastDSP Channel 12.		
		001101	FastDSP Channel 13.		
		001110	FastDSP Channel 14.		
		001111	FastDSP Channel 15.		
		010000	SigmaDSP Channel 0.		
		010001	SigmaDSP Channel 1.		
		010010	SigmaDSP Channel 2.		
		010011	SigmaDSP Channel 3.		
		010100	SigmaDSP Channel 4.		
		010101	SigmaDSP Channel 5.		
		010110	SigmaDSP Channel 6.		
		010111	SigmaDSP Channel 7.		
		011000	SigmaDSP Channel 8.		
		011001	SigmaDSP Channel 9.		
		011010	SigmaDSP Channel 10.		
		011011	SigmaDSP Channel 11.		
		011100	SigmaDSP Channel 12.		
		011101	SigmaDSP Channel 13.		
		011110	SigmaDSP Channel 14.		
		011111	SigmaDSP Channel 15.		
		100000	Output ASRC Channel 0.		
		100001	Output ASRC Channel 1.		
		100010	Output ASRC Channel 2.		
		100011	Output ASRC Channel 3.		
		100100	ADC Channel 0.		
		100101	ADC Channel 1.		
		100110	ADC Channel 2.		
		100111	ADC Channel 3.		
		101000	Digital Microphone Channel 0.		
		101001	Digital Microphone Channel 1.		
		101010	Digital Microphone Channel 2.		
		101011	Digital Microphone Channel 3.		
		101100	Digital Microphone Channel 4.		
		101101	Digital Microphone Channel 5.		
		101110	Digital Microphone Channel 6.		
		101111	Digital Microphone Channel 7.		
		110000	Fast to Slow Decimator Channel 0.		
		110001	Fast to Slow Decimator Channel 1.		
		110010	Fast to Slow Decimator Channel 2.		
		110011	Fast to Slow Decimator Channel 3.		
		110100	Fast to Slow Decimator Channel 4.		
		110101	Fast to Slow Decimator Channel 5.		
		110110	Fast to Slow Decimator Channel 6.		
		110111	Fast to Slow Decimator Channel 7.		
		111111	No Output. Slot not used.		

SERIAL PORT 0 OUTPUT ROUTING SLOT 14 REGISTER

Address: 0xC0C5, Reset: 0x3F, Name: SPT0_ROUTE14

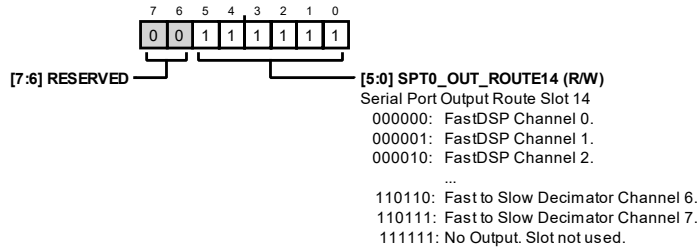


Table 237. Bit Descriptions for SPT0_ROUTE14

Bits	Bit Name	Settings	Description	Reset	Access
[7:6]	RESERVED		Reserved.	0x0	R
[5:0]	SPT0_OUT_ROUTE14		Serial Port Output Route Slot 14.	0x3F	R/W
		000000	FastDSP Channel 0.		
		000001	FastDSP Channel 1.		
		000010	FastDSP Channel 2.		
		000011	FastDSP Channel 3.		
		000100	FastDSP Channel 4.		
		000101	FastDSP Channel 5.		
		000110	FastDSP Channel 6.		
		000111	FastDSP Channel 7.		
		001000	FastDSP Channel 8.		
		001001	FastDSP Channel 9.		
		001010	FastDSP Channel 10.		
		001011	FastDSP Channel 11.		
		001100	FastDSP Channel 12.		
		001101	FastDSP Channel 13.		
		001110	FastDSP Channel 14.		
		001111	FastDSP Channel 15.		
		010000	SigmaDSP Channel 0.		
		010001	SigmaDSP Channel 1.		
		010010	SigmaDSP Channel 2.		
		010011	SigmaDSP Channel 3.		
		010100	SigmaDSP Channel 4.		
		010101	SigmaDSP Channel 5.		
		010110	SigmaDSP Channel 6.		
		010111	SigmaDSP Channel 7.		
		011000	SigmaDSP Channel 8.		
		011001	SigmaDSP Channel 9.		
		011010	SigmaDSP Channel 10.		
		011011	SigmaDSP Channel 11.		
		011100	SigmaDSP Channel 12.		
		011101	SigmaDSP Channel 13.		
		011110	SigmaDSP Channel 14.		
		011111	SigmaDSP Channel 15.		
		100000	Output ASRC Channel 0.		
		100001	Output ASRC Channel 1.		
		100010	Output ASRC Channel 2.		
		100011	Output ASRC Channel 3.		

Bits	Bit Name	Settings	Description	Reset	Access
		100100	ADC Channel 0.		
		100101	ADC Channel 1.		
		100110	ADC Channel 2.		
		100111	ADC Channel 3.		
		101000	Digital Microphone Channel 0.		
		101001	Digital Microphone Channel 1.		
		101010	Digital Microphone Channel 2.		
		101011	Digital Microphone Channel 3.		
		101100	Digital Microphone Channel 4.		
		101101	Digital Microphone Channel 5.		
		101110	Digital Microphone Channel 6.		
		101111	Digital Microphone Channel 7.		
		110000	Fast to Slow Decimator Channel 0.		
		110001	Fast to Slow Decimator Channel 1.		
		110010	Fast to Slow Decimator Channel 2.		
		110011	Fast to Slow Decimator Channel 3.		
		110100	Fast to Slow Decimator Channel 4.		
		110101	Fast to Slow Decimator Channel 5.		
		110110	Fast to Slow Decimator Channel 6.		
		110111	Fast to Slow Decimator Channel 7.		
		111111	No Output. Slot not used.		

SERIAL PORT 0 OUTPUT ROUTING SLOT 15 REGISTER

Address: 0xC0C6, Reset: 0x3F, Name: SPT0_ROUTE15

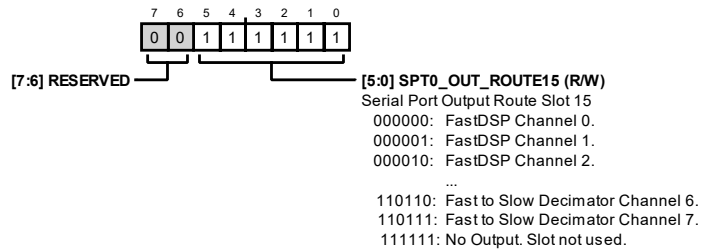


Table 238. Bit Descriptions for SPT0_ROUTE15

Bits	Bit Name	Settings	Description	Reset	Access
[7:6]	RESERVED		Reserved.	0x0	R
[5:0]	SPT0_OUT_ROUTE15	000000	FastDSP Channel 0.	0x3F	R/W
		000001	FastDSP Channel 1.		
		000010	FastDSP Channel 2.		
		000011	FastDSP Channel 3.		
		000100	FastDSP Channel 4.		
		000101	FastDSP Channel 5.		
		000110	FastDSP Channel 6.		
		000111	FastDSP Channel 7.		
		001000	FastDSP Channel 8.		
		001001	FastDSP Channel 9.		
		001010	FastDSP Channel 10.		
		001011	FastDSP Channel 11.		

Bits	Bit Name	Settings	Description	Reset	Access
		001100	FastDSP Channel 12.		
		001101	FastDSP Channel 13.		
		001110	FastDSP Channel 14.		
		001111	FastDSP Channel 15.		
		010000	SigmaDSP Channel 0.		
		010001	SigmaDSP Channel 1.		
		010010	SigmaDSP Channel 2.		
		010011	SigmaDSP Channel 3.		
		010100	SigmaDSP Channel 4.		
		010101	SigmaDSP Channel 5.		
		010110	SigmaDSP Channel 6.		
		010111	SigmaDSP Channel 7.		
		011000	SigmaDSP Channel 8.		
		011001	SigmaDSP Channel 9.		
		011010	SigmaDSP Channel 10.		
		011011	SigmaDSP Channel 11.		
		011100	SigmaDSP Channel 12.		
		011101	SigmaDSP Channel 13.		
		011110	SigmaDSP Channel 14.		
		011111	SigmaDSP Channel 15.		
		100000	Output ASRC Channel 0.		
		100001	Output ASRC Channel 1.		
		100010	Output ASRC Channel 2.		
		100011	Output ASRC Channel 3.		
		100100	ADC Channel 0.		
		100101	ADC Channel 1.		
		100110	ADC Channel 2.		
		100111	ADC Channel 3.		
		101000	Digital Microphone Channel 0.		
		101001	Digital Microphone Channel 1.		
		101010	Digital Microphone Channel 2.		
		101011	Digital Microphone Channel 3.		
		101100	Digital Microphone Channel 4.		
		101101	Digital Microphone Channel 5.		
		101110	Digital Microphone Channel 6.		
		101111	Digital Microphone Channel 7.		
		110000	Fast to Slow Decimator Channel 0.		
		110001	Fast to Slow Decimator Channel 1.		
		110010	Fast to Slow Decimator Channel 2.		
		110011	Fast to Slow Decimator Channel 3.		
		110100	Fast to Slow Decimator Channel 4.		
		110101	Fast to Slow Decimator Channel 5.		
		110110	Fast to Slow Decimator Channel 6.		
		110111	Fast to Slow Decimator Channel 7.		
		111111	No Output. Slot not used.		

SERIAL PORT 1 CONTROL 1 REGISTER

Address: 0xC0C7, Reset: 0x00, Name: SPT1_CTRL1

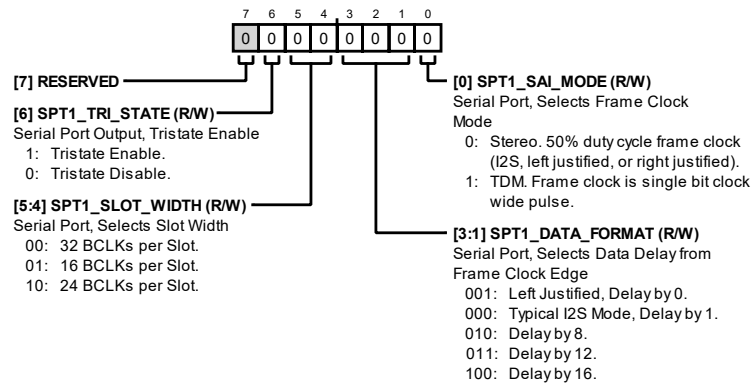


Table 239. Bit Descriptions for SPT1_CTRL1

Bits	Bit Name	Settings	Description	Reset	Access
7	RESERVED		Reserved.	0x0	R/W
6	SPT1_TRI_STATE	1 0	Serial Port Output, Tristate Enable. Tristate Enable. Tristate Disabled.	0x0	R/W
[5:4]	SPT1_SLOT_WIDTH	00 01 10	Serial Port, Selects Slot Width. 32 BCLKs per Slot. 16 BCLKs per Slot. 24 BCLKs per Slot.	0x0	R/W
[3:1]	SPT1_DATA_FORMAT	001 000 010 011 100	Serial Port, Selects Data Format from Frame Clock Edge. Left Justified, Delay by 0. Typical I2S Mode, Delay by 1. Delay by 8. Delay by 12. Delay by 16.	0x0	R/W
0	SPT1_SAI_MODE	0 1	Serial Port, Selects Frame Clock Mode. Stereo. 50% duty-cycle frame clock (I2S, left justified, or right justified). TDM. Frame clock is single bit clock wide pulse.	0x0	R/W

SERIAL PORT 1 CONTROL 2 REGISTER

Address: 0xC0C8, Reset: 0x00, Name: SPT1_CTRL2

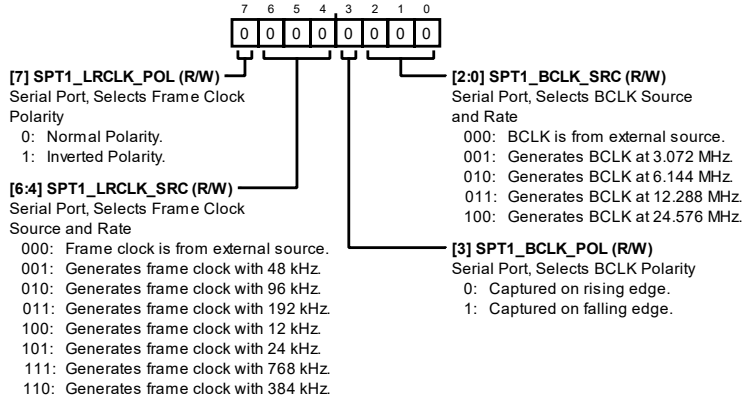


Table 240. Bit Descriptions for SPT1_CTRL2

Bits	Bit Name	Settings	Description	Reset	Access
7	SPT1_LRCLK_POL	0 1	Serial Port, Selects Frame Clock Polarity. Normal Polarity. Inverted Polarity.	0x0	R/W
[6:4]	SPT1_LRCLK_SRC	000 001 010 011 100 101 111 110	Serial Port, Selects Frame Clock Source and Rate. LRCLK is from external. Generates frame clock with 48 kHz. Generates frame clock with 96 kHz. Generates frame clock with 192 kHz. Generates frame clock with 12 kHz. Generates frame clock with 24 kHz. Generates frame clock with 768 kHz. Generates frame clock with 384 kHz.	0x0	R/W
3	SPT1_BCLK_POL	0 1	Serial Port, Selects BCLK Polarity. Captured on rising edge. Captured on falling edge.	0x0	R/W
[2:0]	SPT1_BCLK_SRC	000 001 010 011 100	Serial Port, Selects BCLK Source and Rate. BCLK is from external source. Generates BCLK at 3.072 MHz. Generates BCLK at 6.144 MHz. Generates BCLK at 12.288 MHz. Generates BCLK at 24.576 MHz.	0x0	R/W

SERIAL PORT 1 OUTPUT ROUTING SLOT 0 (LEFT REGISTER)

Address: 0xC0C9, Reset: 0x10, Name: SPT1_ROUTE0

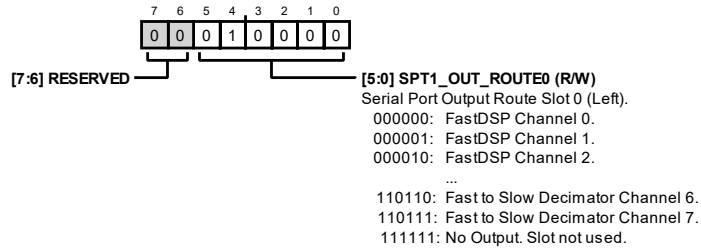


Table 241. Bit Descriptions for SPT1_ROUTE0

Bits	Bit Name	Settings	Description	Reset	Access
[7:6]	RESERVED		Reserved.	0x0	R
[5:0]	SPT1_OUT_ROUTE0		Serial Port Output Route Slot 0 (Left).	0x10	R/W
		000000	FastDSP Channel 0.		
		000001	FastDSP Channel 1.		
		000010	FastDSP Channel 2.		
		000011	FastDSP Channel 3.		
		000100	FastDSP Channel 4.		
		000101	FastDSP Channel 5.		
		000110	FastDSP Channel 6.		
		000111	FastDSP Channel 7.		
		001000	FastDSP Channel 8.		
		001001	FastDSP Channel 9.		
		001010	FastDSP Channel 10.		
		001011	FastDSP Channel 11.		
		001100	FastDSP Channel 12.		
		001101	FastDSP Channel 13.		
		001110	FastDSP Channel 14.		
		001111	FastDSP Channel 15.		
		010000	SigmaDSP Channel 0.		
		010001	SigmaDSP Channel 1.		
		010010	SigmaDSP Channel 2.		
		010011	SigmaDSP Channel 3.		
		010100	SigmaDSP Channel 4.		
		010101	SigmaDSP Channel 5.		
		010110	SigmaDSP Channel 6.		
		010111	SigmaDSP Channel 7.		
		011000	SigmaDSP Channel 8.		
		011001	SigmaDSP Channel 9.		
		011010	SigmaDSP Channel 10.		
		011011	SigmaDSP Channel 11.		
		011100	SigmaDSP Channel 12.		
		011101	SigmaDSP Channel 13.		
		011110	SigmaDSP Channel 14.		
		011111	SigmaDSP Channel 15.		
		100000	Output ASRC Channel 0.		
		100001	Output ASRC Channel 1.		
		100010	Output ASRC Channel 2.		
		100011	Output ASRC Channel 3.		

Bits	Bit Name	Settings	Description	Reset	Access
		100100	ADC Channel 0.		
		100101	ADC Channel 1.		
		100110	ADC Channel 2.		
		100111	ADC Channel 3.		
		101000	Digital Microphone Channel 0.		
		101001	Digital Microphone Channel 1.		
		101010	Digital Microphone Channel 2.		
		101011	Digital Microphone Channel 3.		
		101100	Digital Microphone Channel 4.		
		101101	Digital Microphone Channel 5.		
		101110	Digital Microphone Channel 6.		
		101111	Digital Microphone Channel 7.		
		110000	Fast to Slow Decimator Channel 0.		
		110001	Fast to Slow Decimator Channel 1.		
		110010	Fast to Slow Decimator Channel 2.		
		110011	Fast to Slow Decimator Channel 3.		
		110100	Fast to Slow Decimator Channel 4.		
		110101	Fast to Slow Decimator Channel 5.		
		110110	Fast to Slow Decimator Channel 6.		
		110111	Fast to Slow Decimator Channel 7.		
		111111	No Output. Slot not used.		

SERIAL PORT 1 OUTPUT ROUTING SLOT 1 (RIGHT REGISTER)

Address: 0xC0CA, Reset: 0x11, Name: SPT1_ROUTE1

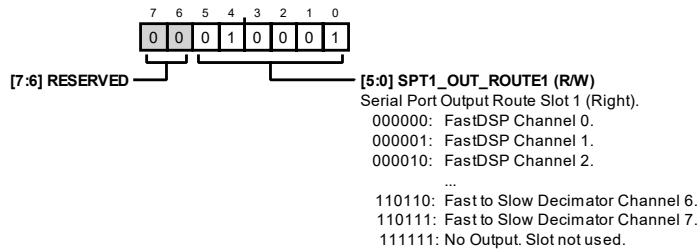


Table 242. Bit Descriptions for SPT1_ROUTE1

Bits	Bit Name	Settings	Description	Reset	Access
[7:6]	RESERVED		Reserved.	0x0	R
[5:0]	SPT1_OUT_ROUTE1	000000 000001 000010 000011 000100 000101 000110 000111 001000 001001 001010 001011	Serial Port Output Route Slot 1 (Right). FastDSP Channel 0. FastDSP Channel 1. FastDSP Channel 2. FastDSP Channel 3. FastDSP Channel 4. FastDSP Channel 5. FastDSP Channel 6. FastDSP Channel 7. FastDSP Channel 8. FastDSP Channel 9. FastDSP Channel 10. FastDSP Channel 11.	0x11	R/W

Bits	Bit Name	Settings	Description	Reset	Access
		001100	FastDSP Channel 12.		
		001101	FastDSP Channel 13.		
		001110	FastDSP Channel 14.		
		001111	FastDSP Channel 15.		
		010000	SigmaDSP Channel 0.		
		010001	SigmaDSP Channel 1.		
		010010	SigmaDSP Channel 2.		
		010011	SigmaDSP Channel 3.		
		010100	SigmaDSP Channel 4.		
		010101	SigmaDSP Channel 5.		
		010110	SigmaDSP Channel 6.		
		010111	SigmaDSP Channel 7.		
		011000	SigmaDSP Channel 8.		
		011001	SigmaDSP Channel 9.		
		011010	SigmaDSP Channel 10.		
		011011	SigmaDSP Channel 11.		
		011100	SigmaDSP Channel 12.		
		011101	SigmaDSP Channel 13.		
		011110	SigmaDSP Channel 14.		
		011111	SigmaDSP Channel 15.		
		100000	Output ASRC Channel 0.		
		100001	Output ASRC Channel 1.		
		100010	Output ASRC Channel 2.		
		100011	Output ASRC Channel 3.		
		100100	ADC Channel 0.		
		100101	ADC Channel 1.		
		100110	ADC Channel 2.		
		100111	ADC Channel 3.		
		101000	DMIC Channel 0.		
		101001	Digital Microphone Channel 0.		
		101010	Digital Microphone Channel 1.		
		101011	Digital Microphone Channel 2.		
		101100	Digital Microphone Channel 3.		
		101101	Digital Microphone Channel 4.		
		101110	Digital Microphone Channel 5.		
		101111	Digital Microphone Channel 6.		
		110000	Fast to Slow Decimator Channel 0.		
		110001	Fast to Slow Decimator Channel 1.		
		110010	Fast to Slow Decimator Channel 2.		
		110011	Fast to Slow Decimator Channel 3.		
		110100	Fast to Slow Decimator Channel 4.		
		110101	Fast to Slow Decimator Channel 5.		
		110110	Fast to Slow Decimator Channel 6.		
		110111	Fast to Slow Decimator Channel 7.		
		111111	No Output. Slot not used.		

SERIAL PORT 1 OUTPUT ROUTING SLOT 2 REGISTER

Address: 0xC0CB, Reset: 0x3F, Name: SPT1_ROUTE2

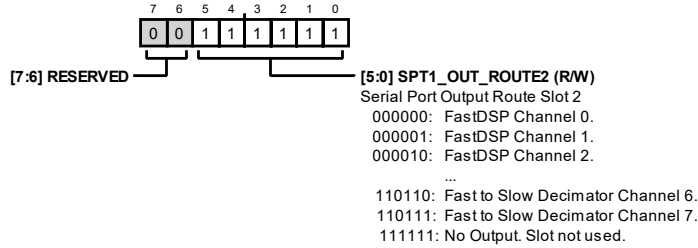


Table 243. Bit Descriptions for SPT1_ROUTE2

Bits	Bit Name	Settings	Description	Reset	Access
[7:6]	RESERVED		Reserved.	0x0	R
[5:0]	SPT1_OUT_ROUTE2	000000 FastDSP Channel 0. 000001 FastDSP Channel 1. 000010 FastDSP Channel 2. 000011 FastDSP Channel 3. 000100 FastDSP Channel 4. 000101 FastDSP Channel 5. 000110 FastDSP Channel 6. 000111 FastDSP Channel 7. 001000 FastDSP Channel 8. 001001 FastDSP Channel 9. 001010 FastDSP Channel 10. 001011 FastDSP Channel 11. 001100 FastDSP Channel 12. 001101 FastDSP Channel 13. 001110 FastDSP Channel 14. 001111 FastDSP Channel 15. 010000 SigmaDSP Channel 0. 010001 SigmaDSP Channel 1. 010010 SigmaDSP Channel 2. 010011 SigmaDSP Channel 3. 010100 SigmaDSP Channel 4. 010101 SigmaDSP Channel 5. 010110 SigmaDSP Channel 6. 010111 SigmaDSP Channel 7. 011000 SigmaDSP Channel 8. 011001 SigmaDSP Channel 9. 011010 SigmaDSP Channel 10. 011011 SigmaDSP Channel 11. 011100 SigmaDSP Channel 12. 011101 SigmaDSP Channel 13. 011110 SigmaDSP Channel 14. 011111 SigmaDSP Channel 15. 100000 Output ASRC Channel 0. 100001 Output ASRC Channel 1. 100010 Output ASRC Channel 2. 100011 Output ASRC Channel 3.	Serial Port Output Route Slot 2.	0x3F	R/W

Bits	Bit Name	Settings	Description	Reset	Access
		100100	ADC Channel 0.		
		100101	ADC Channel 1.		
		100110	ADC Channel 2.		
		100111	ADC Channel 3.		
		101000	Digital Microphone Channel 0.		
		101001	Digital Microphone Channel 1.		
		101010	Digital Microphone Channel 2.		
		101011	Digital Microphone Channel 3.		
		101100	Digital Microphone Channel 4.		
		101101	Digital Microphone Channel 5.		
		101110	Digital Microphone Channel 6.		
		101111	Digital Microphone Channel 7.		
		110000	Fast to Slow Decimator Channel 0.		
		110001	Fast to Slow Decimator Channel 1.		
		110010	Fast to Slow Decimator Channel 2.		
		110011	Fast to Slow Decimator Channel 3.		
		110100	Fast to Slow Decimator Channel 4.		
		110101	Fast to Slow Decimator Channel 5.		
		110110	Fast to Slow Decimator Channel 6.		
		110111	Fast to Slow Decimator Channel 7.		
		111111	No Output. Slot not used.		

SERIAL PORT 1 OUTPUT ROUTING SLOT 3 REGISTER

Address: 0xC0CC, Reset: 0x3F, Name: SPT1_ROUTE3

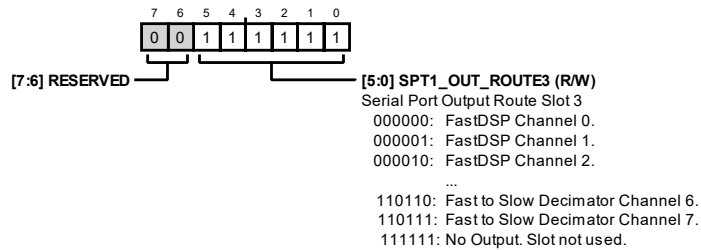


Table 244. Bit Descriptions for SPT1_ROUTE3

Bits	Bit Name	Settings	Description	Reset	Access
[7:6]	RESERVED		Reserved.	0x0	R
[5:0]	SPT1_OUT_ROUTE3	000000 000001 000010 000011 000100 000101 000110 000111 001000 001001 001010 001011	Serial Port Output Route Slot 3. FastDSP Channel 0. FastDSP Channel 1. FastDSP Channel 2. FastDSP Channel 3. FastDSP Channel 4. FastDSP Channel 5. FastDSP Channel 6. FastDSP Channel 7. FastDSP Channel 8. FastDSP Channel 9. FastDSP Channel 10. FastDSP Channel 11.	0x3F	R/W

Bits	Bit Name	Settings	Description	Reset	Access
		001100	FastDSP Channel 12.		
		001101	FastDSP Channel 13.		
		001110	FastDSP Channel 14.		
		001111	FastDSP Channel 15.		
		010000	SigmaDSP Channel 0.		
		010001	SigmaDSP Channel 1.		
		010010	SigmaDSP Channel 2.		
		010011	SigmaDSP Channel 3.		
		010100	SigmaDSP Channel 4.		
		010101	SigmaDSP Channel 5.		
		010110	SigmaDSP Channel 6.		
		010111	SigmaDSP Channel 7.		
		011000	SigmaDSP Channel 8.		
		011001	SigmaDSP Channel 9.		
		011010	SigmaDSP Channel 10.		
		011011	SigmaDSP Channel 11.		
		011100	SigmaDSP Channel 12.		
		011101	SigmaDSP Channel 13.		
		011110	SigmaDSP Channel 14.		
		011111	SigmaDSP Channel 15.		
		100000	Output ASRC Channel 0.		
		100001	Output ASRC Channel 1.		
		100010	Output ASRC Channel 2.		
		100011	Output ASRC Channel 3.		
		100100	ADC Channel 0.		
		100101	ADC Channel 1.		
		100110	ADC Channel 2.		
		100111	ADC Channel 3.		
		101000	Digital Microphone Channel 0.		
		101001	Digital Microphone Channel 1.		
		101010	Digital Microphone Channel 2.		
		101011	Digital Microphone Channel 3.		
		101100	Digital Microphone Channel 4.		
		101101	Digital Microphone Channel 5.		
		101110	Digital Microphone Channel 6.		
		101111	Digital Microphone Channel 7.		
		110000	Fast to Slow Decimator Channel 0.		
		110001	Fast to Slow Decimator Channel 1.		
		110010	Fast to Slow Decimator Channel 2.		
		110011	Fast to Slow Decimator Channel 3.		
		110100	Fast to Slow Decimator Channel 4.		
		110101	Fast to Slow Decimator Channel 5.		
		110110	Fast to Slow Decimator Channel 6.		
		110111	Fast to Slow Decimator Channel 7.		
		111111	No Output. Slot not used.		

SERIAL PORT 1 OUTPUT ROUTING SLOT 4 REGISTER

Address: 0xC0CD, Reset: 0x3F, Name: SPT1_ROUTE4

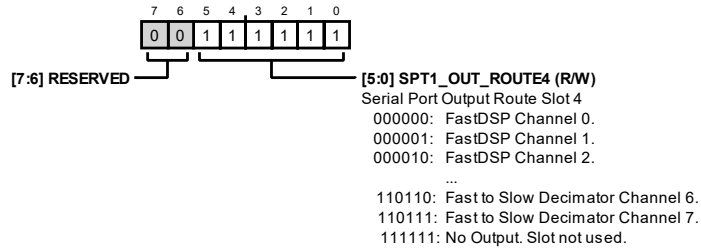


Table 245. Bit Descriptions for SPT1_ROUTE4

Bits	Bit Name	Settings	Description	Reset	Access
[7:6]	RESERVED		Reserved.	0x0	R
[5:0]	SPT1_OUT_ROUTE4		Serial Port Output Route Slot 4.	0x3F	R/W
		000000	FastDSP Channel 0.		
		000001	FastDSP Channel 1.		
		000010	FastDSP Channel 2.		
		000011	FastDSP Channel 3.		
		000100	FastDSP Channel 4.		
		000101	FastDSP Channel 5.		
		000110	FastDSP Channel 6.		
		000111	FastDSP Channel 7.		
		001000	FastDSP Channel 8.		
		001001	FastDSP Channel 9.		
		001010	FastDSP Channel 10.		
		001011	FastDSP Channel 11.		
		001100	FastDSP Channel 12.		
		001101	FastDSP Channel 13.		
		001110	FastDSP Channel 14.		
		001111	FastDSP Channel 15.		
		010000	SigmaDSP Channel 0.		
		010001	SigmaDSP Channel 1.		
		010010	SigmaDSP Channel 2.		
		010011	SigmaDSP Channel 3.		
		010100	SigmaDSP Channel 4.		
		010101	SigmaDSP Channel 5.		
		010110	SigmaDSP Channel 6.		
		010111	SigmaDSP Channel 7.		
		011000	SigmaDSP Channel 8.		
		011001	SigmaDSP Channel 9.		
		011010	SigmaDSP Channel 10.		
		011011	SigmaDSP Channel 11.		
		011100	SigmaDSP Channel 12.		
		011101	SigmaDSP Channel 13.		
		011110	SigmaDSP Channel 14.		
		011111	SigmaDSP Channel 15.		
		100000	Output ASRC Channel 0.		
		100001	Output ASRC Channel 1.		
		100010	Output ASRC Channel 2.		
		100011	Output ASRC Channel 3.		

Bits	Bit Name	Settings	Description	Reset	Access
		100100	ADC Channel 0.		
		100101	ADC Channel 1.		
		100110	ADC Channel 2.		
		100111	ADC Channel 3.		
		101000	Digital Microphone Channel 0.		
		101001	Digital Microphone Channel 1.		
		101010	Digital Microphone Channel 2.		
		101011	Digital Microphone Channel 3.		
		101100	Digital Microphone Channel 4.		
		101101	Digital Microphone Channel 5.		
		101110	Digital Microphone Channel 6.		
		101111	Digital Microphone Channel 7.		
		110000	Fast to Slow Decimator Channel 0.		
		110001	Fast to Slow Decimator Channel 1.		
		110010	Fast to Slow Decimator Channel 2.		
		110011	Fast to Slow Decimator Channel 3.		
		110100	Fast to Slow Decimator Channel 4.		
		110101	Fast to Slow Decimator Channel 5.		
		110110	Fast to Slow Decimator Channel 6.		
		110111	Fast to Slow Decimator Channel 7.		
		111111	No Output. Slot not used.		

SERIAL PORT 1 OUTPUT ROUTING SLOT 5 REGISTER

Address: 0xC0CE, Reset: 0x3F, Name: SPT1_ROUTE5

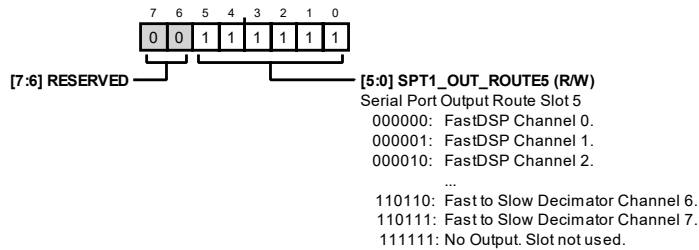


Table 246. Bit Descriptions for SPT1_ROUTE5

Bits	Bit Name	Settings	Description	Reset	Access
[7:6]	RESERVED		Reserved.	0x0	R
[5:0]	SPT1_OUT_ROUTE5	000000 000001 000010 000011 000100 000101 000110 000111 001000 001001 001010 001011	Serial Port Output Route Slot 5. FastDSP Channel 0. FastDSP Channel 1. FastDSP Channel 2. FastDSP Channel 3. FastDSP Channel 4. FastDSP Channel 5. FastDSP Channel 6. FastDSP Channel 7. FastDSP Channel 8. FastDSP Channel 9. FastDSP Channel 10. FastDSP Channel 11.	0x3F	R/W

Bits	Bit Name	Settings	Description	Reset	Access
		001100	FastDSP Channel 12.		
		001101	FastDSP Channel 13.		
		001110	FastDSP Channel 14.		
		001111	FastDSP Channel 15.		
		010000	SigmaDSP Channel 0.		
		010001	SigmaDSP Channel 1.		
		010010	SigmaDSP Channel 2.		
		010011	SigmaDSP Channel 3.		
		010100	SigmaDSP Channel 4.		
		010101	SigmaDSP Channel 5.		
		010110	SigmaDSP Channel 6.		
		010111	SigmaDSP Channel 7.		
		011000	SigmaDSP Channel 8.		
		011001	SigmaDSP Channel 9.		
		011010	SigmaDSP Channel 10.		
		011011	SigmaDSP Channel 11.		
		011100	SigmaDSP Channel 12.		
		011101	SigmaDSP Channel 13.		
		011110	SigmaDSP Channel 14.		
		011111	SigmaDSP Channel 15.		
		100000	Output ASRC Channel 0.		
		100001	Output ASRC Channel 1.		
		100010	Output ASRC Channel 2.		
		100011	Output ASRC Channel 3.		
		100100	ADC Channel 0.		
		100101	ADC Channel 1.		
		100110	ADC Channel 2.		
		100111	ADC Channel 3.		
		101000	Digital Microphone Channel 0.		
		101001	Digital Microphone Channel 1.		
		101010	Digital Microphone Channel 2.		
		101011	Digital Microphone Channel 3.		
		101100	Digital Microphone Channel 4.		
		101101	Digital Microphone Channel 5.		
		101110	Digital Microphone Channel 6.		
		101111	Digital Microphone Channel 7.		
		110000	Fast to Slow Decimator Channel 0.		
		110001	Fast to Slow Decimator Channel 1.		
		110010	Fast to Slow Decimator Channel 2.		
		110011	Fast to Slow Decimator Channel 3.		
		110100	Fast to Slow Decimator Channel 4.		
		110101	Fast to Slow Decimator Channel 5.		
		110110	Fast to Slow Decimator Channel 6.		
		110111	Fast to Slow Decimator Channel 7.		
		111111	No Output. Slot not used.		

SERIAL PORT 1 OUTPUT ROUTING SLOT 6 REGISTER

Address: 0xC0CE, Reset: 0x3F, Name: SPT1_ROUTE6

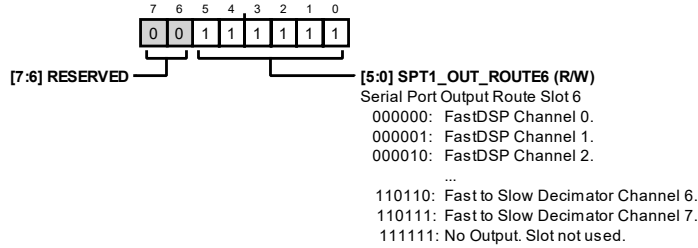


Table 247. Bit Descriptions for SPT1_ROUTE6

Bits	Bit Name	Settings	Description	Reset	Access
[7:6]	RESERVED		Reserved.	0x0	R
[5:0]	SPT1_OUT_ROUTE6	000000 000001 000010 000011 000100 000101 000110 000111 001000 001001 001010 001011 001100 001101 001110 001111 010000 010001 010010 010011 010100 010101 010110 010111 011000 011001 011010 011011 011100 011101 011110 011111 100000 100001 100010 100011	FastDSP Channel 0. FastDSP Channel 1. FastDSP Channel 2. FastDSP Channel 3. FastDSP Channel 4. FastDSP Channel 5. FastDSP Channel 6. FastDSP Channel 7. FastDSP Channel 8. FastDSP Channel 9. FastDSP Channel 10. FastDSP Channel 11. FastDSP Channel 12. FastDSP Channel 13. FastDSP Channel 14. FastDSP Channel 15. SigmaDSP Channel 0. SigmaDSP Channel 1. SigmaDSP Channel 2. SigmaDSP Channel 3. SigmaDSP Channel 4. SigmaDSP Channel 5. SigmaDSP Channel 6. SigmaDSP Channel 7. SigmaDSP Channel 8. SigmaDSP Channel 9. SigmaDSP Channel 10. SigmaDSP Channel 11. SigmaDSP Channel 12. SigmaDSP Channel 13. SigmaDSP Channel 14. SigmaDSP Channel 15. Output ASRC Channel 0. Output ASRC Channel 1. Output ASRC Channel 2. Output ASRC Channel 3.	0x3F	R/W

Bits	Bit Name	Settings	Description	Reset	Access
		100100	ADC Channel 0.		
		100101	ADC Channel 1.		
		100110	ADC Channel 2.		
		100111	ADC Channel 3.		
		101000	Digital Microphone Channel 0.		
		101001	Digital Microphone Channel 1.		
		101010	Digital Microphone Channel 2.		
		101011	Digital Microphone Channel 3.		
		101100	Digital Microphone Channel 4.		
		101101	Digital Microphone Channel 5.		
		101110	Digital Microphone Channel 6.		
		101111	Digital Microphone Channel 7.		
		110000	Fast to Slow Decimator Channel 0.		
		110001	Fast to Slow Decimator Channel 1.		
		110010	Fast to Slow Decimator Channel 2.		
		110011	Fast to Slow Decimator Channel 3.		
		110100	Fast to Slow Decimator Channel 4.		
		110101	Fast to Slow Decimator Channel 5.		
		110110	Fast to Slow Decimator Channel 6.		
		110111	Fast to Slow Decimator Channel 7.		
		111111	No Output. Slot not used.		

SERIAL PORT 1 OUTPUT ROUTING SLOT 7 REGISTER

Address: 0xC0D0, Reset: 0x3F, Name: SPT1_ROUTE7

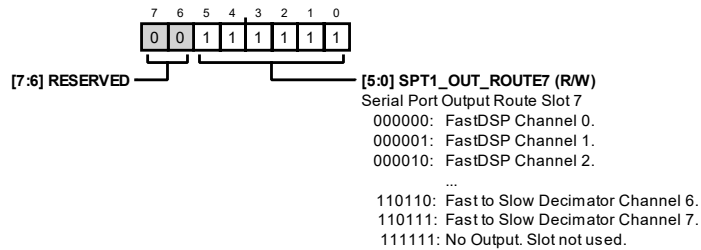


Table 248. Bit Descriptions for SPT1_ROUTE7

Bits	Bit Name	Settings	Description	Reset	Access
[7:6]	RESERVED		Reserved.	0x0	R
[5:0]	SPT1_OUT_ROUTE7	000000 000001 000010 000011 000100 000101 000110 000111 001000 001001 001010 001011	Serial Port Output Route Slot 7. FastDSP Channel 0. FastDSP Channel 1. FastDSP Channel 2. FastDSP Channel 3. FastDSP Channel 4. FastDSP Channel 5. FastDSP Channel 6. FastDSP Channel 7. FastDSP Channel 8. FastDSP Channel 9. FastDSP Channel 10. FastDSP Channel 11.	0x3F	R/W

Bits	Bit Name	Settings	Description	Reset	Access
		001100	FastDSP Channel 12.		
		001101	FastDSP Channel 13.		
		001110	FastDSP Channel 14.		
		001111	FastDSP Channel 15.		
		010000	SigmaDSP Channel 0.		
		010001	SigmaDSP Channel 1.		
		010010	SigmaDSP Channel 2.		
		010011	SigmaDSP Channel 3.		
		010100	SigmaDSP Channel 4.		
		010101	SigmaDSP Channel 5.		
		010110	SigmaDSP Channel 6.		
		010111	SigmaDSP Channel 7.		
		011000	SigmaDSP Channel 8.		
		011001	SigmaDSP Channel 9.		
		011010	SigmaDSP Channel 10.		
		011011	SigmaDSP Channel 11.		
		011100	SigmaDSP Channel 12.		
		011101	SigmaDSP Channel 13.		
		011110	SigmaDSP Channel 14.		
		011111	SigmaDSP Channel 15.		
		100000	Output ASRC Channel 0.		
		100001	Output ASRC Channel 1.		
		100010	Output ASRC Channel 2.		
		100011	Output ASRC Channel 3.		
		100100	ADC Channel 0.		
		100101	ADC Channel 1.		
		100110	ADC Channel 2.		
		100111	ADC Channel 3.		
		101000	Digital Microphone Channel 0.		
		101001	Digital Microphone Channel 1.		
		101010	Digital Microphone Channel 2.		
		101011	Digital Microphone Channel 3.		
		101100	Digital Microphone Channel 4.		
		101101	Digital Microphone Channel 5.		
		101110	Digital Microphone Channel 6.		
		101111	Digital Microphone Channel 7.		
		110000	Fast to Slow Decimator Channel 0.		
		110001	Fast to Slow Decimator Channel 1.		
		110010	Fast to Slow Decimator Channel 2.		
		110011	Fast to Slow Decimator Channel 3.		
		110100	Fast to Slow Decimator Channel 4.		
		110101	Fast to Slow Decimator Channel 5.		
		110110	Fast to Slow Decimator Channel 6.		
		110111	Fast to Slow Decimator Channel 7.		
		111111	No Output. Slot not used.		

SERIAL PORT 1 OUTPUT ROUTING SLOT 8 REGISTER

Address: 0xC0D1, Reset: 0x3F, Name: SPT1_ROUTE8

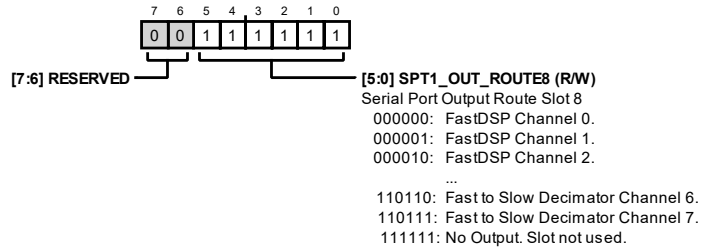


Table 249. Bit Descriptions for SPT1_ROUTE8

Bits	Bit Name	Settings	Description	Reset	Access
[7:6]	RESERVED		Reserved.	0x0	R
[5:0]	SPT1_OUT_ROUTE8		Serial Port Output Route Slot 8.	0x3F	R/W
		000000	FastDSP Channel 0.		
		000001	FastDSP Channel 1.		
		000010	FastDSP Channel 2.		
		000011	FastDSP Channel 3.		
		000100	FastDSP Channel 4.		
		000101	FastDSP Channel 5.		
		000110	FastDSP Channel 6.		
		000111	FastDSP Channel 7.		
		001000	FastDSP Channel 8.		
		001001	FastDSP Channel 9.		
		001010	FastDSP Channel 10.		
		001011	FastDSP Channel 11.		
		001100	FastDSP Channel 12.		
		001101	FastDSP Channel 13.		
		001110	FastDSP Channel 14.		
		001111	FastDSP Channel 15.		
		010000	SigmaDSP Channel 0.		
		010001	SigmaDSP Channel 1.		
		010010	SigmaDSP Channel 2.		
		010011	SigmaDSP Channel 3.		
		010100	SigmaDSP Channel 4.		
		010101	SigmaDSP Channel 5.		
		010110	SigmaDSP Channel 6.		
		010111	SigmaDSP Channel 7.		
		011000	SigmaDSP Channel 8.		
		011001	SigmaDSP Channel 9.		
		011010	SigmaDSP Channel 10.		
		011011	SigmaDSP Channel 11.		
		011100	SigmaDSP Channel 12.		
		011101	SigmaDSP Channel 13.		
		011110	SigmaDSP Channel 14.		
		011111	SigmaDSP Channel 15.		
		100000	Output ASRC Channel 0.		
		100001	Output ASRC Channel 1.		
		100010	Output ASRC Channel 2.		
		100011	Output ASRC Channel 3.		

Bits	Bit Name	Settings	Description	Reset	Access
		100100	ADC Channel 0.		
		100101	ADC Channel 1.		
		100110	ADC Channel 2.		
		100111	ADC Channel 3.		
		101000	Digital Microphone Channel 0.		
		101001	Digital Microphone Channel 1.		
		101010	Digital Microphone Channel 2.		
		101011	Digital Microphone Channel 3.		
		101100	Digital Microphone Channel 4.		
		101101	Digital Microphone Channel 5.		
		101110	Digital Microphone Channel 6.		
		101111	Digital Microphone Channel 7.		
		110000	Fast to Slow Decimator Channel 0.		
		110001	Fast to Slow Decimator Channel 1.		
		110010	Fast to Slow Decimator Channel 2.		
		110011	Fast to Slow Decimator Channel 3.		
		110100	Fast to Slow Decimator Channel 4.		
		110101	Fast to Slow Decimator Channel 5.		
		110110	Fast to Slow Decimator Channel 6.		
		110111	Fast to Slow Decimator Channel 7.		
		111111	No Output. Slot not used.		

SERIAL PORT 1 OUTPUT ROUTING SLOT 9 REGISTER

Address: 0xC0D2, Reset: 0x3F, Name: SPT1_ROUTE9

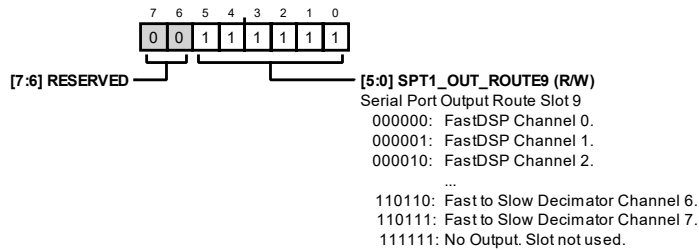


Table 250. Bit Descriptions for SPT1_ROUTE9

Bits	Bit Name	Settings	Description	Reset	Access
[7:6]	RESERVED		Reserved.	0x0	R
[5:0]	SPT1_OUT_ROUTE9	000000 000001 000010 000011 000100 000101 000110 000111 001000 001001 001010 001011	Serial Port Output Route Slot 9. FastDSP Channel 0. FastDSP Channel 1. FastDSP Channel 2. FastDSP Channel 3. FastDSP Channel 4. FastDSP Channel 5. FastDSP Channel 6. FastDSP Channel 7. FastDSP Channel 8. FastDSP Channel 9. FastDSP Channel 10. FastDSP Channel 11.	0x3F	R/W

Bits	Bit Name	Settings	Description	Reset	Access
		001100	FastDSP Channel 12.		
		001101	FastDSP Channel 13.		
		001110	FastDSP Channel 14.		
		001111	FastDSP Channel 15.		
		010000	SigmaDSP Channel 0.		
		010001	SigmaDSP Channel 1.		
		010010	SigmaDSP Channel 2.		
		010011	SigmaDSP Channel 3.		
		010100	SigmaDSP Channel 4.		
		010101	SigmaDSP Channel 5.		
		010110	SigmaDSP Channel 6.		
		010111	SigmaDSP Channel 7.		
		011000	SigmaDSP Channel 8.		
		011001	SigmaDSP Channel 9.		
		011010	SigmaDSP Channel 10.		
		011011	SigmaDSP Channel 11.		
		011100	SigmaDSP Channel 12.		
		011101	SigmaDSP Channel 13.		
		011110	SigmaDSP Channel 14.		
		011111	SigmaDSP Channel 15.		
		100000	Output ASRC Channel 0.		
		100001	Output ASRC Channel 1.		
		100010	Output ASRC Channel 2.		
		100011	Output ASRC Channel 3.		
		100100	ADC Channel 0.		
		100101	ADC Channel 1.		
		100110	ADC Channel 2.		
		100111	ADC Channel 3.		
		101000	Digital Microphone Channel 0.		
		101001	Digital Microphone Channel 1.		
		101010	Digital Microphone Channel 2.		
		101011	Digital Microphone Channel 3.		
		101100	Digital Microphone Channel 4.		
		101101	Digital Microphone Channel 5.		
		101110	Digital Microphone Channel 6.		
		101111	Digital Microphone Channel 7.		
		110000	Fast to Slow Decimator Channel 0.		
		110001	Fast to Slow Decimator Channel 1.		
		110010	Fast to Slow Decimator Channel 2.		
		110011	Fast to Slow Decimator Channel 3.		
		110100	Fast to Slow Decimator Channel 4.		
		110101	Fast to Slow Decimator Channel 5.		
		110110	Fast to Slow Decimator Channel 6.		
		110111	Fast to Slow Decimator Channel 7.		
		111111	No Output. Slot not used.		

SERIAL PORT 1 OUTPUT ROUTING SLOT 10 REGISTER

Address: 0xC0D3, Reset: 0x3F, Name: SPT1_ROUTE10

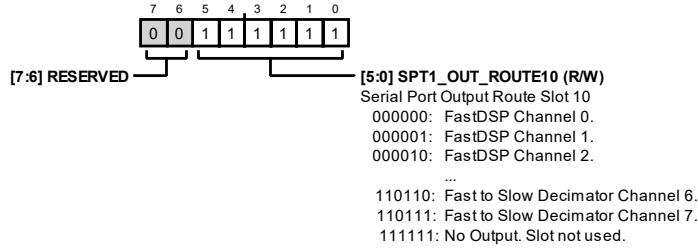


Table 251. Bit Descriptions for SPT1_ROUTE10

Bits	Bit Name	Settings	Description	Reset	Access
[7:6]	RESERVED		Reserved.	0x0	R
[5:0]	SPT1_OUT_ROUTE10		Serial Port Output Route Slot 10.	0x3F	R/W
		000000	FastDSP Channel 0.		
		000001	FastDSP Channel 1.		
		000010	FastDSP Channel 2.		
		000011	FastDSP Channel 3.		
		000100	FastDSP Channel 4.		
		000101	FastDSP Channel 5.		
		000110	FastDSP Channel 6.		
		000111	FastDSP Channel 7.		
		001000	FastDSP Channel 8.		
		001001	FastDSP Channel 9.		
		001010	FastDSP Channel 10.		
		001011	FastDSP Channel 11.		
		001100	FastDSP Channel 12.		
		001101	FastDSP Channel 13.		
		001110	FastDSP Channel 14.		
		001111	FastDSP Channel 15.		
		010000	SigmaDSP Channel 0.		
		010001	SigmaDSP Channel 1.		
		010010	SigmaDSP Channel 2.		
		010011	SigmaDSP Channel 3.		
		010100	SigmaDSP Channel 4.		
		010101	SigmaDSP Channel 5.		
		010110	SigmaDSP Channel 6.		
		010111	SigmaDSP Channel 7.		
		011000	SigmaDSP Channel 8.		
		011001	SigmaDSP Channel 9.		
		011010	SigmaDSP Channel 10.		
		011011	SigmaDSP Channel 11.		
		011100	SigmaDSP Channel 12.		
		011101	SigmaDSP Channel 13.		
		011110	SigmaDSP Channel 14.		
		011111	SigmaDSP Channel 15.		
		100000	Output ASRC Channel 0.		
		100001	Output ASRC Channel 1.		
		100010	Output ASRC Channel 2.		
		100011	Output ASRC Channel 3.		

Bits	Bit Name	Settings	Description	Reset	Access
		100100	ADC Channel 0.		
		100101	ADC Channel 1.		
		100110	ADC Channel 2.		
		100111	ADC Channel 3.		
		101000	Digital Microphone Channel 0.		
		101001	Digital Microphone Channel 1.		
		101010	Digital Microphone Channel 2.		
		101011	Digital Microphone Channel 3.		
		101100	Digital Microphone Channel 4.		
		101101	Digital Microphone Channel 5.		
		101110	Digital Microphone Channel 6.		
		101111	Digital Microphone Channel 7.		
		110000	Fast to Slow Decimator Channel 0.		
		110001	Fast to Slow Decimator Channel 1.		
		110010	Fast to Slow Decimator Channel 2.		
		110011	Fast to Slow Decimator Channel 3.		
		110100	Fast to Slow Decimator Channel 4.		
		110101	Fast to Slow Decimator Channel 5.		
		110110	Fast to Slow Decimator Channel 6.		
		110111	Fast to Slow Decimator Channel 7.		
		111111	No Output. Slot not used.		

SERIAL PORT 1 OUTPUT ROUTING SLOT 11 REGISTER

Address: 0xC0D4, Reset: 0x3F, Name: SPT1_ROUTE11

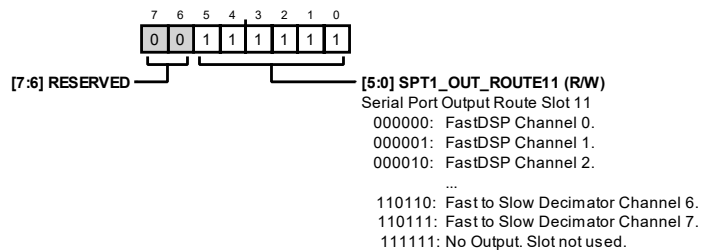


Table 252. Bit Descriptions for SPT1_ROUTE11

Bits	Bit Name	Settings	Description	Reset	Access
[7:6]	RESERVED		Reserved.	0x0	R
[5:0]	SPT1_OUT_ROUTE11	000000 000001 000010 000011 000100 000101 000110 000111 001000 001001 001010 001011	Serial Port Output Route Slot 11. FastDSP Channel 0. FastDSP Channel 1. FastDSP Channel 2. FastDSP Channel 3. FastDSP Channel 4. FastDSP Channel 5. FastDSP Channel 6. FastDSP Channel 7. FastDSP Channel 8. FastDSP Channel 9. FastDSP Channel 10. FastDSP Channel 11.	0x3F	R/W

Bits	Bit Name	Settings	Description	Reset	Access
		001100	FastDSP Channel 12.		
		001101	FastDSP Channel 13.		
		001110	FastDSP Channel 14.		
		001111	FastDSP Channel 15.		
		010000	SigmaDSP Channel 0.		
		010001	SigmaDSP Channel 1.		
		010010	SigmaDSP Channel 2.		
		010011	SigmaDSP Channel 3.		
		010100	SigmaDSP Channel 4.		
		010101	SigmaDSP Channel 5.		
		010110	SigmaDSP Channel 6.		
		010111	SigmaDSP Channel 7.		
		011000	SigmaDSP Channel 8.		
		011001	SigmaDSP Channel 9.		
		011010	SigmaDSP Channel 10.		
		011011	SigmaDSP Channel 11.		
		011100	SigmaDSP Channel 12.		
		011101	SigmaDSP Channel 13.		
		011110	SigmaDSP Channel 14.		
		011111	SigmaDSP Channel 15.		
		100000	Output ASRC Channel 0.		
		100001	Output ASRC Channel 1.		
		100010	Output ASRC Channel 2.		
		100011	Output ASRC Channel 3.		
		100100	ADC Channel 0.		
		100101	ADC Channel 1.		
		100110	ADC Channel 2.		
		100111	ADC Channel 3.		
		101000	Digital Microphone Channel 0.		
		101001	Digital Microphone Channel 1.		
		101010	Digital Microphone Channel 2.		
		101011	Digital Microphone Channel 3.		
		101100	Digital Microphone Channel 4.		
		101101	Digital Microphone Channel 5.		
		101110	Digital Microphone Channel 6.		
		101111	Digital Microphone Channel 7.		
		110000	Fast to Slow Decimator Channel 0.		
		110001	Fast to Slow Decimator Channel 1.		
		110010	Fast to Slow Decimator Channel 2.		
		110011	Fast to Slow Decimator Channel 3.		
		110100	Fast to Slow Decimator Channel 4.		
		110101	Fast to Slow Decimator Channel 5.		
		110110	Fast to Slow Decimator Channel 6.		
		110111	Fast to Slow Decimator Channel 7.		
		111111	No Output. Slot not used.		

SERIAL PORT 1 OUTPUT ROUTING SLOT 12 REGISTER

Address: 0xC0D5, Reset: 0x3F, Name: SPT1_ROUTE12

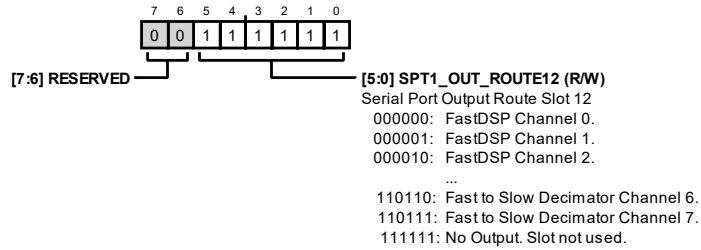


Table 253. Bit Descriptions for SPT1_ROUTE12

Bits	Bit Name	Settings	Description	Reset	Access
[7:6]	RESERVED		Reserved.	0x0	R
[5:0]	SPT1_OUT_ROUTE12	000000 000001 000010 000011 000100 000101 000110 000111 001000 001001 001010 001011 001100 001101 001110 001111 010000 010001 010010 010011 010100 010101 010110 010111 011000 011001 011010 011011 011100 011101 011110 011111 100000 100001 100010 100011	Serial Port Output Route Slot 12. FastDSP Channel 0. FastDSP Channel 1. FastDSP Channel 2. FastDSP Channel 3. FastDSP Channel 4. FastDSP Channel 5. FastDSP Channel 6. FastDSP Channel 7. FastDSP Channel 8. FastDSP Channel 9. FastDSP Channel 10. FastDSP Channel 11. FastDSP Channel 12. FastDSP Channel 13. FastDSP Channel 14. FastDSP Channel 15. SigmaDSP Channel 0. SigmaDSP Channel 1. SigmaDSP Channel 2. SigmaDSP Channel 3. SigmaDSP Channel 4. SigmaDSP Channel 5. SigmaDSP Channel 6. SigmaDSP Channel 7. SigmaDSP Channel 8. SigmaDSP Channel 9. SigmaDSP Channel 10. SigmaDSP Channel 11. SigmaDSP Channel 12. SigmaDSP Channel 13. SigmaDSP Channel 14. SigmaDSP Channel 15. Output ASRC Channel 0. Output ASRC Channel 1. Output ASRC Channel 2. Output ASRC Channel 3.	0x3F	R/W

Bits	Bit Name	Settings	Description	Reset	Access
		100100	ADC Channel 0.		
		100101	ADC Channel 1.		
		100110	ADC Channel 2.		
		100111	ADC Channel 3.		
		101000	Digital Microphone Channel 0.		
		101001	Digital Microphone Channel 1.		
		101010	Digital Microphone Channel 2.		
		101011	Digital Microphone Channel 3.		
		101100	Digital Microphone Channel 4.		
		101101	Digital Microphone Channel 5.		
		101110	Digital Microphone Channel 6.		
		101111	Digital Microphone Channel 7.		
		110000	Fast to Slow Decimator Channel 0.		
		110001	Fast to Slow Decimator Channel 1.		
		110010	Fast to Slow Decimator Channel 2.		
		110011	Fast to Slow Decimator Channel 3.		
		110100	Fast to Slow Decimator Channel 4.		
		110101	Fast to Slow Decimator Channel 5.		
		110110	Fast to Slow Decimator Channel 6.		
		110111	Fast to Slow Decimator Channel 7.		
		111111	No Output. Slot not used.		

SERIAL PORT 1 OUTPUT ROUTING SLOT 13 REGISTER

Address: 0xC0D6, Reset: 0x3F, Name: SPT1_ROUTE13

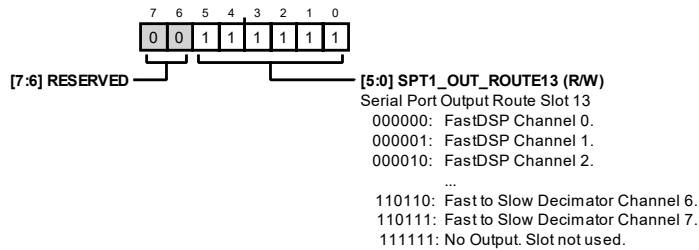


Table 254. Bit Descriptions for SPT1_ROUTE13

Bits	Bit Name	Settings	Description	Reset	Access
[7:6]	RESERVED		Reserved.	0x0	R
[5:0]	SPT1_OUT_ROUTE13	000000 000001 000010 000011 000100 000101 000110 000111 001000 001001 001010 001011	Serial Port Output Route Slot 13. FastDSP Channel 0. FastDSP Channel 1. FastDSP Channel 2. FastDSP Channel 3. FastDSP Channel 4. FastDSP Channel 5. FastDSP Channel 6. FastDSP Channel 7. FastDSP Channel 8. FastDSP Channel 9. FastDSP Channel 10. FastDSP Channel 11.	0x3F	R/W

Bits	Bit Name	Settings	Description	Reset	Access
		001100	FastDSP Channel 12.		
		001101	FastDSP Channel 13.		
		001110	FastDSP Channel 14.		
		001111	FastDSP Channel 15.		
		010000	SigmaDSP Channel 0.		
		010001	SigmaDSP Channel 1.		
		010010	SigmaDSP Channel 2.		
		010011	SigmaDSP Channel 3.		
		010100	SigmaDSP Channel 4.		
		010101	SigmaDSP Channel 5.		
		010110	SigmaDSP Channel 6.		
		010111	SigmaDSP Channel 7.		
		011000	SigmaDSP Channel 8.		
		011001	SigmaDSP Channel 9.		
		011010	SigmaDSP Channel 10.		
		011011	SigmaDSP Channel 11.		
		011100	SigmaDSP Channel 12.		
		011101	SigmaDSP Channel 13.		
		011110	SigmaDSP Channel 14.		
		011111	SigmaDSP Channel 15.		
		100000	Output ASRC Channel 0.		
		100001	Output ASRC Channel 1.		
		100010	Output ASRC Channel 2.		
		100011	Output ASRC Channel 3.		
		100100	ADC Channel 0.		
		100101	ADC Channel 1.		
		100110	ADC Channel 2.		
		100111	ADC Channel 3.		
		101000	Digital Microphone Channel 0.		
		101001	Digital Microphone Channel 1.		
		101010	Digital Microphone Channel 2.		
		101011	Digital Microphone Channel 3.		
		101100	Digital Microphone Channel 4.		
		101101	Digital Microphone Channel 5.		
		101110	Digital Microphone Channel 6.		
		101111	Digital Microphone Channel 7.		
		110000	Fast to Slow Decimator Channel 0.		
		110001	Fast to Slow Decimator Channel 1.		
		110010	Fast to Slow Decimator Channel 2.		
		110011	Fast to Slow Decimator Channel 3.		
		110100	Fast to Slow Decimator Channel 4.		
		110101	Fast to Slow Decimator Channel 5.		
		110110	Fast to Slow Decimator Channel 6.		
		110111	Fast to Slow Decimator Channel 7.		
		111111	No Output. Slot not used.		

SERIAL PORT 1 OUTPUT ROUTING SLOT 14 REGISTER

Address: 0xC0D7, Reset: 0x3F, Name: SPT1_ROUTE14

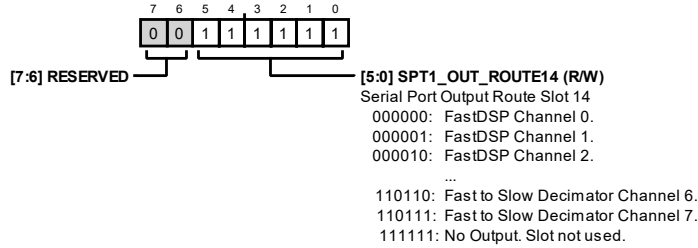


Table 255. Bit Descriptions for SPT1_ROUTE14

Bits	Bit Name	Settings	Description	Reset	Access
[7:6]	RESERVED		Reserved.	0x0	R
[5:0]	SPT1_OUT_ROUTE14		Serial Port Output Route Slot 14.	0x3F	R/W
		000000	FastDSP Channel 0.		
		000001	FastDSP Channel 1.		
		000010	FastDSP Channel 2.		
		000011	FastDSP Channel 3.		
		000100	FastDSP Channel 4.		
		000101	FastDSP Channel 5.		
		000110	FastDSP Channel 6.		
		000111	FastDSP Channel 7.		
		001000	FastDSP Channel 8.		
		001001	FastDSP Channel 9.		
		001010	FastDSP Channel 10.		
		001011	FastDSP Channel 11.		
		001100	FastDSP Channel 12.		
		001101	FastDSP Channel 13.		
		001110	FastDSP Channel 14.		
		001111	FastDSP Channel 15.		
		010000	SigmaDSP Channel 0.		
		010001	SigmaDSP Channel 1.		
		010010	SigmaDSP Channel 2.		
		010011	SigmaDSP Channel 3.		
		010100	SigmaDSP Channel 4.		
		010101	SigmaDSP Channel 5.		
		010110	SigmaDSP Channel 6.		
		010111	SigmaDSP Channel 7.		
		011000	SigmaDSP Channel 8.		
		011001	SigmaDSP Channel 9.		
		011010	SigmaDSP Channel 10.		
		011011	SigmaDSP Channel 11.		
		011100	SigmaDSP Channel 12.		
		011101	SigmaDSP Channel 13.		
		011110	SigmaDSP Channel 14.		
		011111	SigmaDSP Channel 15.		
		100000	Output ASRC Channel 0.		
		100001	Output ASRC Channel 1.		
		100010	Output ASRC Channel 2.		
		100011	Output ASRC Channel 3.		

Bits	Bit Name	Settings	Description	Reset	Access
		100100	ADC Channel 0.		
		100101	ADC Channel 1.		
		100110	ADC Channel 2.		
		100111	ADC Channel 3.		
		101000	Digital Microphone Channel 0.		
		101001	Digital Microphone Channel 1.		
		101010	Digital Microphone Channel 2.		
		101011	Digital Microphone Channel 3.		
		101100	Digital Microphone Channel 4.		
		101101	Digital Microphone Channel 5.		
		101110	Digital Microphone Channel 6.		
		101111	Digital Microphone Channel 7.		
		110000	Fast to Slow Decimator Channel 0.		
		110001	Fast to Slow Decimator Channel 1.		
		110010	Fast to Slow Decimator Channel 2.		
		110011	Fast to Slow Decimator Channel 3.		
		110100	Fast to Slow Decimator Channel 4.		
		110101	Fast to Slow Decimator Channel 5.		
		110110	Fast to Slow Decimator Channel 6.		
		110111	Fast to Slow Decimator Channel 7.		
		111111	No Output. Slot not used.		

SERIAL PORT 1 OUTPUT ROUTING SLOT 15 REGISTER

Address: 0xC0D8, Reset: 0x3F, Name: SPT1_ROUTE15

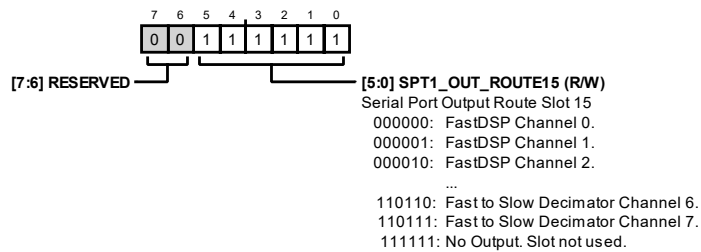


Table 256. Bit Descriptions for SPT1_ROUTE15

Bits	Bit Name	Settings	Description	Reset	Access
[7:6]	RESERVED		Reserved.	0x0	R
[5:0]	SPT1_OUT_ROUTE15	000000	FastDSP Channel 0.	0x3F	R/W
		000001	FastDSP Channel 1.		
		000010	FastDSP Channel 2.		
		000011	FastDSP Channel 3.		
		000100	FastDSP Channel 4.		
		000101	FastDSP Channel 5.		
		000110	FastDSP Channel 6.		
		000111	FastDSP Channel 7.		
		001000	FastDSP Channel 8.		
		001001	FastDSP Channel 9.		
		001010	FastDSP Channel 10.		
		001011	FastDSP Channel 11.		

Bits	Bit Name	Settings	Description	Reset	Access
		001100	FastDSP Channel 12.		
		001101	FastDSP Channel 13.		
		001110	FastDSP Channel 14.		
		001111	FastDSP Channel 15.		
		010000	SigmaDSP Channel 0.		
		010001	SigmaDSP Channel 1.		
		010010	SigmaDSP Channel 2.		
		010011	SigmaDSP Channel 3.		
		010100	SigmaDSP Channel 4.		
		010101	SigmaDSP Channel 5.		
		010110	SigmaDSP Channel 6.		
		010111	SigmaDSP Channel 7.		
		011000	SigmaDSP Channel 8.		
		011001	SigmaDSP Channel 9.		
		011010	SigmaDSP Channel 10.		
		011011	SigmaDSP Channel 11.		
		011100	SigmaDSP Channel 12.		
		011101	SigmaDSP Channel 13.		
		011110	SigmaDSP Channel 14.		
		011111	SigmaDSP Channel 15.		
		100000	Output ASRC Channel 0.		
		100001	Output ASRC Channel 1.		
		100010	Output ASRC Channel 2.		
		100011	Output ASRC Channel 3.		
		100100	ADC Channel 0.		
		100101	ADC Channel 1.		
		100110	ADC Channel 2.		
		100111	ADC Channel 3.		
		101000	Digital Microphone Channel 0.		
		101001	Digital Microphone Channel 1.		
		101010	Digital Microphone Channel 2.		
		101011	Digital Microphone Channel 3.		
		101100	Digital Microphone Channel 4.		
		101101	Digital Microphone Channel 5.		
		101110	Digital Microphone Channel 6.		
		101111	Digital Microphone Channel 7.		
		110000	Fast to Slow Decimator Channel 0.		
		110001	Fast to Slow Decimator Channel 1.		
		110010	Fast to Slow Decimator Channel 2.		
		110011	Fast to Slow Decimator Channel 3.		
		110100	Fast to Slow Decimator Channel 4.		
		110101	Fast to Slow Decimator Channel 5.		
		110110	Fast to Slow Decimator Channel 6.		
		110111	Fast to Slow Decimator Channel 7.		
		111111	No Output. Slot not used.		

MP12 PIN CONTROL REGISTER

Address: 0xC0D9, Reset: 0x00, Name: MP_CTRL10

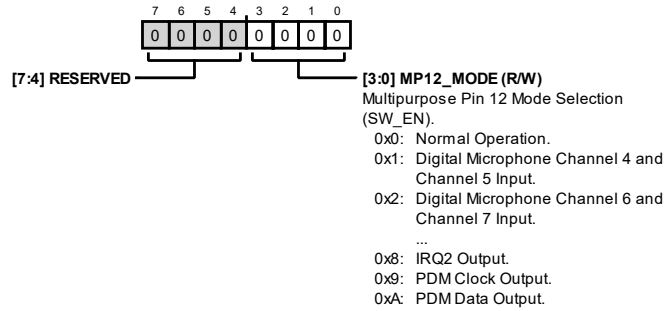


Table 257. Bit Descriptions for MP_CTRL10

Bits	Bit Name	Settings	Description	Reset	Access
[7:4]	RESERVED		Reserved.	0x0	R
[3:0]	MP12_MODE	0x0 0x1 0x2 0x3 0x4 0x5 0x6 0x7 0x8 0x9 0xA	Multipurpose Pin 12 Mode Selection (SW_EN). Normal Operation. Digital Microphone Channel 4 and Channel 5 Input. Digital Microphone Channel 6 and Channel 7 Input. General-Purpose Input. General-Purpose Output from GPIOx_OUT bits. General-Purpose Output from SigmaDSP. Master Clock Output. IRQ1 Output. IRQ2 Output. PDM Clock Output. PDM Data Output.	0x0	R/W

SELFBOOT PIN CONTROLS REGISTER

Address: 0xC0DA, Reset: 0x45, Name: SELFBOOT_CTRL

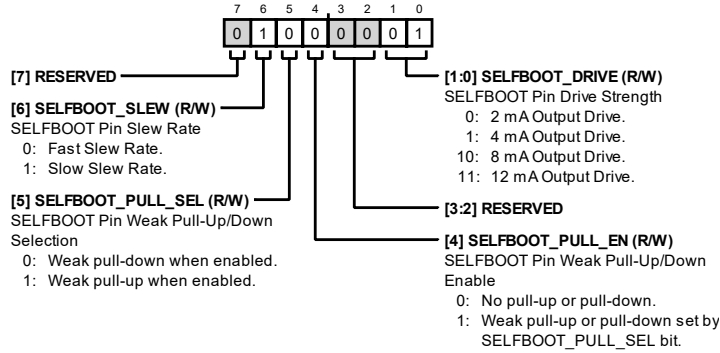


Table 258. Bit Descriptions for SELFBOOT_CTRL

Bits	Bit Name	Settings	Description	Reset	Access
7	RESERVED		Reserved.	0x0	R
6	SELFBOOT_SLEW	0 1	SELFBOOT Pin Slew Rate. Determines the slew rate of the pin when used as an output. 0 Fast Slew Rate. 1 Slow Slew Rate.	0x1	R/W
5	SELFBOOT_PULL_SEL	0 1	SELFBOOT Pin Weak Pull-Up/Down Selection. 0 Weak pull-down when enabled. 1 Weak pull-up when enabled.	0x0	R/W
4	SELFBOOT_PULL_EN	0 1	SELFBOOT Pin Weak Pull-Up/Down Enable. 0 No pull-up or pull-down. 1 Weak pull-up or pull-down set by SELFBOOT_PULL_SEL bit.	0x0	R/W
[3:2]	RESERVED		Reserved.	0x1	R
[1:0]	SELFBOOT_DRIVE	0 1 10 11	SELFBOOT Pin Drive Strength. Determines the drive strength of the pin when used as an output. 0 2 mA Output Drive. 1 4 mA Output Drive. 10 8 mA Output Drive. 11 12 mA Output Drive.	0x1	R/W

SW_EN PIN CONTROLS REGISTER

Address: 0xC0DB, Reset: 0x45, Name: SW_EN_CTRL

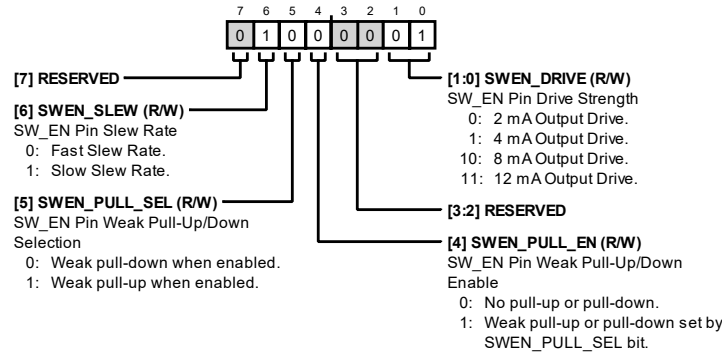


Table 259. Bit Descriptions for SW_EN_CTRL

Bits	Bit Name	Settings	Description	Reset	Access
7	RESERVED		Reserved.	0x0	R
6	SWEN_SLEW	0 1	SW_EN Pin Slew Rate. Determines the slew rate of the pin when used as an output. 0 Fast Slew Rate. 1 Slow Slew Rate.	0x1	R/W
5	SWEN_PULL_SEL	0 1	SW_EN Pin Weak Pull-Up/Down Selection. 0 Weak pull-down when enabled. 1 Weak pull-up when enabled.	0x0	R/W
4	SWEN_PULL_EN	0 1	SW_EN Pin Weak Pull-Up/Down Enable. 0 No pull-up or pull-down. 1 Weak pull-up or pull-down set by SWEN_PULL_SEL bit.	0x0	R/W
[3:2]	RESERVED		Reserved.	0x0	R
[1:0]	SWEN_DRIVE	0 1 10 11	SW_EN Pin Drive Strength. Determines the drive strength of the pin when used as an output. 0 2 mA Output Drive. 1 4 mA Output Drive. 10 8 mA Output Drive. 11 12 mA Output Drive.	0x1	R/W

PDM SAMPLE RATE AND FILTERING CONTROL REGISTER

Address: 0xC0DC, Reset: 0x02, Name: PDM_CTRL1

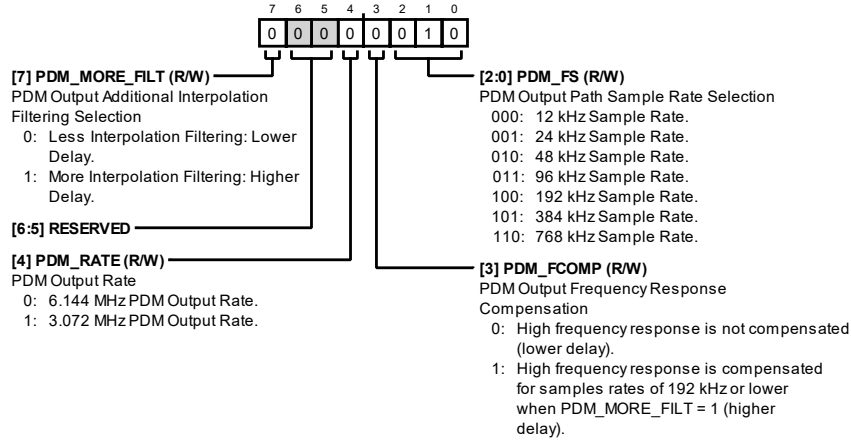


Table 260. Bit Descriptions for PDM_CTRL1

Bits	Bit Name	Settings	Description	Reset	Access
7	PDM_MORE_FILT	0 1	PDM Output Additional Interpolation Filtering Selection. Less Interpolation Filtering: Lower Delay. More Interpolation Filtering: Higher Delay.	0x0	R/W
[6:5]	RESERVED		Reserved.	0x0	R
4	PDM_RATE	0 1	PDM Output Rate. 0 6.144 MHz PDM Output Rate. 1 3.072 MHz PDM Output Rate.	0x0	R/W
3	PDM_FCAMP	0 1	PDM Output Frequency Response Compensation. 0 High frequency response is not compensated (lower delay). 1 High frequency response is compensated for samples rates of 192 kHz or lower when DAC_MORE_FILT = 1 (higher delay).	0x0	R/W
[2:0]	PDM_FS	000 001 010 011 100 101 110	PDM Output Path Sample Rate Selection. 12 kHz Sample Rate. 24 kHz Sample Rate. 48 kHz Sample Rate. 96 kHz Sample Rate. 192 kHz Sample Rate. 384 kHz Sample Rate. 768 kHz Sample Rate.	0x2	R/W

PDM MUTING, HIGH-PASS, AND VOLUME OPTIONS REGISTER

Address: 0xC0DD, Reset: 0xC4, Name: PDM_CTRL2

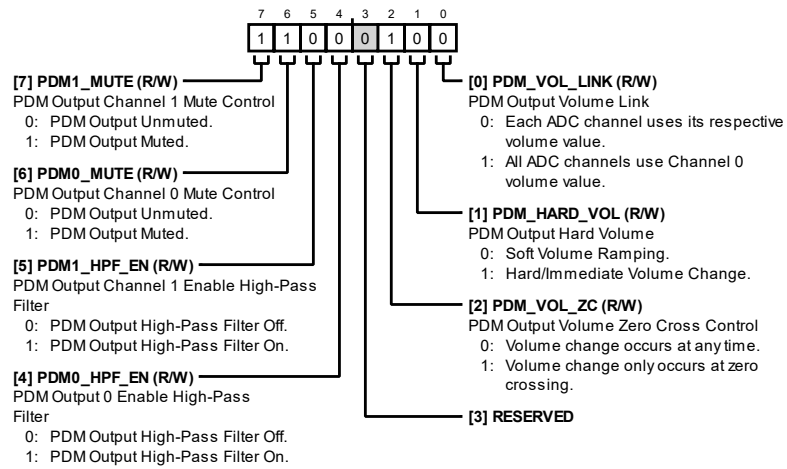
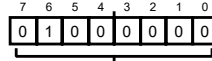


Table 261. Bit Descriptions for PDM_CTRL2

Bits	Bit Name	Settings	Description	Reset	Access
7	PDM1_MUTE	0 1	PDM Output Channel 1 Mute Control. PDM Output Unmuted. PDM Output Muted.	0x1	R/W
6	PDM0_MUTE	0 1	PDM Output Channel 0 Mute Control. PDM Output Unmuted. PDM Output Muted.	0x1	R/W
5	PDM1_HPF_EN	0 1	PDM Output Channel 1 Enable High-Pass Filter. PDM Output High-Pass Filter Off. PDM Output High-Pass Filter On.	0x0	R/W
4	PDM0_HPF_EN	0 1	PDM Output 0 Enable High-Pass Filter. PDM Output High-Pass Filter Off. PDM Output High-Pass Filter On.	0x0	R/W
3	RESERVED		Reserved.	0x0	R
2	PDM_VOL_ZC	0 1	PDM Output Volume Zero Cross Control. Volume change occurs at any time. Volume change only occurs at zero crossing.	0x1	R/W
1	PDM_HARD_VOL	0 1	PDM Output Hard Volume. Soft Volume Ramping. Hard/Immediate Volume Change.	0x0	R/W
0	PDM_VOL_LINK	0 1	PDM Output Volume Link. Each ADC channel uses its respective volume value. All ADC channels use Channel 0 volume value.	0x0	R/W

PDM OUTPUT CHANNEL 0 VOLUME REGISTER

Address: 0xC0DE, Reset: 0x40, Name: PDM_VOL0



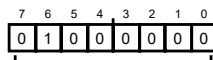
[7:0] PDM_VOL (RW)
 PDM Output Channel 0 Volume Control
 00000000: +24 dB.
 00000001: +23.625 dB.
 00000010: +23.35 dB.
 ...
 11111101: -70.875 dB.
 11111110: -71.25 dB.
 11111111: Mute.

Table 262. Bit Descriptions for PDM_VOL0

Bits	Bit Name	Settings	Description	Reset	Access
[7:0]	PDM0_VOL		PDM Output Channel 0 Volume Control.	0x40	R/W
		00000000	+24 dB.		
		00000001	+23.625 dB.		
		00000010	+23.35 dB.		
		00000011	+22.875 dB.		
		00000100	+22.5 dB.		
			
		00111111	+0.375 dB.		
		01000000	0 dB.		
		01000001	-0.375 dB.		
			
		11111101	-70.875 dB.		
		11111110	-71.25 dB.		
		11111111	Mute.		

PDM OUTPUT CHANNEL 1 VOLUME REGISTER

Address: 0xC0DE, Reset: 0x40, Name: PDM_VOL1

**[7:0] PDM1_VOL (RW)**

PDM Output Channel 1 Volume Control

00000000: +24 dB.
 00000001: +23.625 dB.
 00000010: +23.35 dB.
 ...
 11111101: -70.875 dB.
 11111110: -71.25 dB.
 11111111: Mute.

Table 263. Bit Descriptions for PDM_VOL1

Bits	Bit Name	Settings	Description	Reset	Access
[7:0]	PDM1_VOL		PDM Output Channel 1 Volume Control.	0x40	R/W
		00000000	+24 dB.		
		00000001	+23.625 dB.		
		00000010	+23.35 dB.		
		00000011	+22.875 dB.		
		00000100	+22.5 dB.		
			
		00111111	+0.375 dB.		
		01000000	0 dB.		
		01000001	-0.375 dB.		
			
		11111101	-70.875 dB.		
		11111110	-71.25 dB.		
		11111111	Mute.		

PDM OUTPUT CHANNEL 0 ROUTING REGISTER

Address: 0xC0E0, Reset: 0x00, Name: PDM_ROUTE0

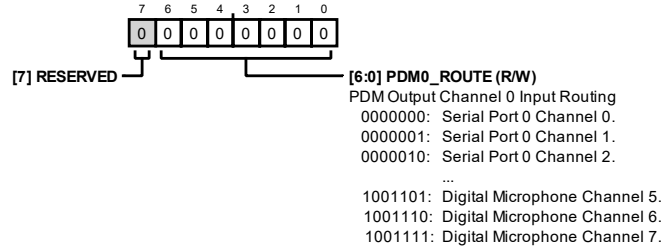


Table 264. Bit Descriptions for PDM_ROUTE0

Bits	Bit Name	Settings	Description	Reset	Access
7	RESERVED		Reserved.	0x0	R
[6:0]	PDM0_ROUTE		PDM Output Channel 0 Input Routing.	0x0	R/W
		0000000	Serial Port 0 Channel 0.		
		0000001	Serial Port 0 Channel 1.		
		0000010	Serial Port 0 Channel 2.		
		0000011	Serial Port 0 Channel 3.		
		0000100	Serial Port 0 Channel 4.		
		0000101	Serial Port 0 Channel 5.		
		0000110	Serial Port 0 Channel 6.		
		0000111	Serial Port 0 Channel 7.		
		0001000	Serial Port 0 Channel 8.		
		0001001	Serial Port 0 Channel 9.		
		0001010	Serial Port 0 Channel 10.		
		0001011	Serial Port 0 Channel 11.		
		0001100	Serial Port 0 Channel 12.		
		0001101	Serial Port 0 Channel 13.		
		0001110	Serial Port 0 Channel 14.		
		0001111	Serial Port 0 Channel 15.		
		0010000	Serial Port 1 Channel 0.		
		0010001	Serial Port 1 Channel 1.		
		0010010	Serial Port 1 Channel 2.		
		0010011	Serial Port 1 Channel 3.		
		0010100	Serial Port 1 Channel 4.		
		0010101	Serial Port 1 Channel 5.		
		0010110	Serial Port 1 Channel 6.		
		0010111	Serial Port 1 Channel 7.		
		0011000	Serial Port 1 Channel 8.		
		0011001	Serial Port 1 Channel 9.		
		0011010	Serial Port 1 Channel 10.		
		0011011	Serial Port 1 Channel 11.		
		0011100	Serial Port 1 Channel 12.		
		0011101	Serial Port 1 Channel 13.		
		0011110	Serial Port 1 Channel 14.		
		0011111	Serial Port 1 Channel 15.		

Bits	Bit Name	Settings	Description	Reset	Access
		0100000	FastDSP Channel 0.		
		0100001	FastDSP Channel 1.		
		0100010	FastDSP Channel 2.		
		0100011	FastDSP Channel 3.		
		0100100	FastDSP Channel 4.		
		0100101	FastDSP Channel 5.		
		0100110	FastDSP Channel 6.		
		0100111	FastDSP Channel 7.		
		0101000	FastDSP Channel 8.		
		0101001	FastDSP Channel 9.		
		0101010	FastDSP Channel 10.		
		0101011	FastDSP Channel 11.		
		0101100	FastDSP Channel 12.		
		0101101	FastDSP Channel 13.		
		0101110	FastDSP Channel 14.		
		0101111	FastDSP Channel 15.		
		0110000	SigmaDSP Channel 0.		
		0110001	SigmaDSP Channel 1.		
		0110010	SigmaDSP Channel 2.		
		0110011	SigmaDSP Channel 3.		
		0110100	SigmaDSP Channel 4.		
		0110101	SigmaDSP Channel 5.		
		0110110	SigmaDSP Channel 6.		
		0110111	SigmaDSP Channel 7.		
		0111000	SigmaDSP Channel 8.		
		0111001	SigmaDSP Channel 9.		
		0111010	SigmaDSP Channel 10.		
		0111011	SigmaDSP Channel 11.		
		0111100	SigmaDSP Channel 12.		
		0111101	SigmaDSP Channel 13.		
		0111110	SigmaDSP Channel 14.		
		0111111	SigmaDSP Channel 15.		
		1000000	Input ASRC Channel 0.		
		1000001	Input ASRC Channel 1.		
		1000010	Input ASRC Channel 2.		
		1000011	Input ASRC Channel 3.		
		1000100	ADC Channel 0.		
		1000101	ADC Channel 1.		
		1000110	ADC Channel 2.		
		1000111	ADC Channel 3.		
		1001000	Digital Microphone Channel 0.		
		1001001	Digital Microphone Channel 1.		
		1001010	Digital Microphone Channel 2.		
		1001011	Digital Microphone Channel 3.		
		1001100	Digital Microphone Channel 4.		
		1001101	Digital Microphone Channel 5.		
		1001110	Digital Microphone Channel 6.		
		1001111	Digital Microphone Channel 7.		

PDM OUTPUT CHANNEL 1 ROUTING REGISTER

Address: 0xC0E1, Reset: 0x01, Name: PDM_ROUTE1

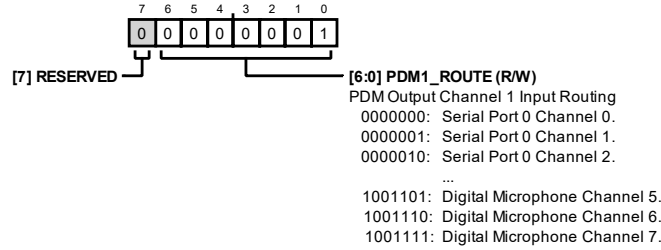


Table 265. Bit Descriptions for PDM_ROUTE1

Bits	Bit Name	Settings	Description	Reset	Access
7	RESERVED		Reserved.	0x0	R
[6:0]	PDM1_ROUTE		PDM Output Channel 1 Input Routing.	0x1	R/W
		0000000	Serial Port 0 Channel 0.		
		0000001	Serial Port 0 Channel 1.		
		0000010	Serial Port 0 Channel 2.		
		0000011	Serial Port 0 Channel 3.		
		0000100	Serial Port 0 Channel 4.		
		0000101	Serial Port 0 Channel 5.		
		0000110	Serial Port 0 Channel 6.		
		0000111	Serial Port 0 Channel 7.		
		0001000	Serial Port 0 Channel 8.		
		0001001	Serial Port 0 Channel 9.		
		0001010	Serial Port 0 Channel 10.		
		0001011	Serial Port 0 Channel 11.		
		0001100	Serial Port 0 Channel 12.		
		0001101	Serial Port 0 Channel 13.		
		0001110	Serial Port 0 Channel 14.		
		0001111	Serial Port 0 Channel 15.		
		0010000	Serial Port 1 Channel 0.		
		0010001	Serial Port 1 Channel 1.		
		0010010	Serial Port 1 Channel 2.		
		0010011	Serial Port 1 Channel 3.		
		0010100	Serial Port 1 Channel 4.		
		0010101	Serial Port 1 Channel 5.		
		0010110	Serial Port 1 Channel 6.		
		0010111	Serial Port 1 Channel 7.		
		0011000	Serial Port 1 Channel 8.		
		0011001	Serial Port 1 Channel 9.		
		0011010	Serial Port 1 Channel 10.		
		0011011	Serial Port 1 Channel 11.		
		0011100	Serial Port 1 Channel 12.		
		0011101	Serial Port 1 Channel 13.		
		0011110	Serial Port 1 Channel 14.		
		0011111	Serial Port 1 Channel 15.		

Bits	Bit Name	Settings	Description	Reset	Access
		0100000	FastDSP Channel 0.		
		0100001	FastDSP Channel 1.		
		0100010	FastDSP Channel 2.		
		0100011	FastDSP Channel 3.		
		0100100	FastDSP Channel 4.		
		0100101	FastDSP Channel 5.		
		0100110	FastDSP Channel 6.		
		0100111	FastDSP Channel 7.		
		0101000	FastDSP Channel 8.		
		0101001	FastDSP Channel 9.		
		0101010	FastDSP Channel 10.		
		0101011	FastDSP Channel 11.		
		0101100	FastDSP Channel 12.		
		0101101	FastDSP Channel 13.		
		0101110	FastDSP Channel 14.		
		0101111	FastDSP Channel 15.		
		0110000	SigmaDSP Channel 0.		
		0110001	SigmaDSP Channel 1.		
		0110010	SigmaDSP Channel 2.		
		0110011	SigmaDSP Channel 3.		
		0110100	SigmaDSP Channel 4.		
		0110101	SigmaDSP Channel 5.		
		0110110	SigmaDSP Channel 6.		
		0110111	SigmaDSP Channel 7.		
		0111000	SigmaDSP Channel 8.		
		0111001	SigmaDSP Channel 9.		
		0111010	SigmaDSP Channel 10.		
		0111011	SigmaDSP Channel 11.		
		0111100	SigmaDSP Channel 12.		
		0111101	SigmaDSP Channel 13.		
		0111110	SigmaDSP Channel 14.		
		0111111	SigmaDSP Channel 15.		
		1000000	Input ASRC Channel 0.		
		1000001	Input ASRC Channel 1.		
		1000010	Input ASRC Channel 2.		
		1000011	Input ASRC Channel 3.		
		1000100	ADC Channel 0.		
		1000101	ADC Channel 1.		
		1000110	ADC Channel 2.		
		1000111	ADC Channel 3.		
		1001000	Digital Microphone Channel 0.		
		1001001	Digital Microphone Channel 1.		
		1001010	Digital Microphone Channel 2.		
		1001011	Digital Microphone Channel 3.		
		1001100	Digital Microphone Channel 4.		
		1001101	Digital Microphone Channel 5.		
		1001110	Digital Microphone Channel 6.		
		1001111	Digital Microphone Channel 7.		

OUTLINE DIMENSIONS

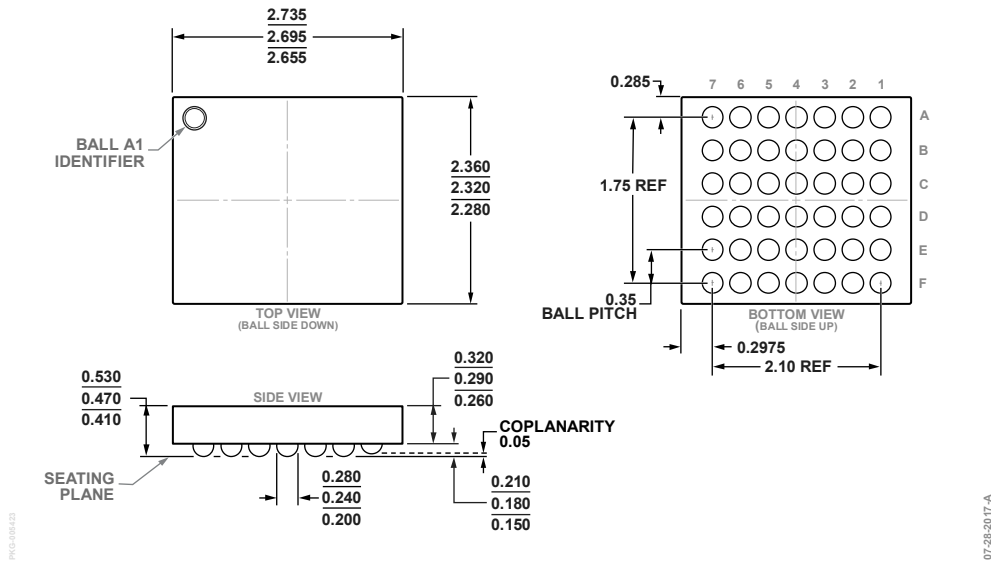


Figure 72. 42-Ball Wafer Level Chip Scale Package [WLCSP] (CB-42-2)

Dimensions shown in millimeters

ORDERING GUIDE

Model ¹	Temperature Range	Package Description	Package Option
ADAU1787BCBZRL	-40°C to +85°C	42-Ball Wafer Level Chip Scale Package [WLCSP]	CB-42-2
EVAL-ADAU1787Z		Evaluation Board	

¹ Z = RoHS Compliant Part.

X-ON Electronics

Largest Supplier of Electrical and Electronic Components

Click to view similar products for [Interface - CODECs](#) category:

Click to view products by [Analog Devices](#) manufacturer:

Other Similar products are found below :

[CS4205-KQZ](#) [ADAU1777BCBZRL](#) [LE58QL021BVCT](#) [TSCS42A2X1NLGIZAX](#) [BU92001KN-E2](#) [TLC320AD52CPT](#) [TDA7293V-E](#)
[STA529Q](#) [SSM2603CPZ-REEL](#) [TLV320AIC14IDBT](#) [TLV320AIC23BIPWRQ1](#) [TLV320AIC23IPW](#) [TLV320AIC3262IYZFR](#)
[WM8904CGEFL/RV](#) [LE58QL063HVC](#) [SSM2167-1RMZ](#) [AD1836AASZ](#) [AD1836ACSZ](#) [ADAU1381BCPZ](#) [ADAU1761BCPZ](#)
[ADAU1761BCPZ-R7](#) [ADAU1787BCBZRL7](#) [ADAV801ASTZ](#) [SSM2603CPZ-REEL7](#) [AD74111YRUZ-REEL7](#) [AD74111YRUZ](#)
[AD1928YSTZ](#) [ADAU1328BSTZ](#) [ADV212BBCZ-150](#) [AD1938WBSTZ-RL](#) [SSM2604CPZ-REEL7](#) [CS4270-CZZ](#) [XD74LS42](#) [XD74LS48](#)
[XD74LS47](#) [XD74LS145](#) [XD74LS247](#) [XD74LS248](#) [PT2272-L4](#) [PT2262](#) [pt2272-m4](#) [AD2262](#) [EG201A](#) [HT12D](#) [CPC5750U](#) [GM7122](#)
[GM7121-D](#) [GM7123C](#) [CMX649E3](#) [MAX98050ENX+](#)