

FEATURES

- High RF output: 76.8 dBmV total composite power or 67 dBmV virtual level**
- High gain of 24.5 dB at 1218 MHz**
- Very low distortion**
 - CTB and CSO: ≤ -82 dBc typical
 - XMOD = -74 dBc typical
 - CIN = 62 dB typical
- Low noise figure: 3 dB at 45 MHz, 4 dB at 1218 MHz**
- Unconditionally stable**
- Transient and surge protection**
- V_{CC} range from 24 V to 34 V**
- Configurable current from 400 mA to 550 mA maximum**
- Industry-standard, 8-pin SOT115J module package**

APPLICATIONS

- 45 MHz to 1218 MHz community access television (CATV) infrastructure amplifier systems**
- Remote PHY (physical layer) and fiber deep nodes**
- DOCSIS® 3.1 compliant**

GENERAL DESCRIPTION

The ADCA3990 is a power doubler hybrid module packaged in the industry-standard SOT115J. The device achieves extremely high RF output, up to 76.8 dBmV composite power or 67 dBmV virtual level, by using advanced circuit design techniques, such as gallium arsenide (GaAs) pseudomorphic high electron mobility

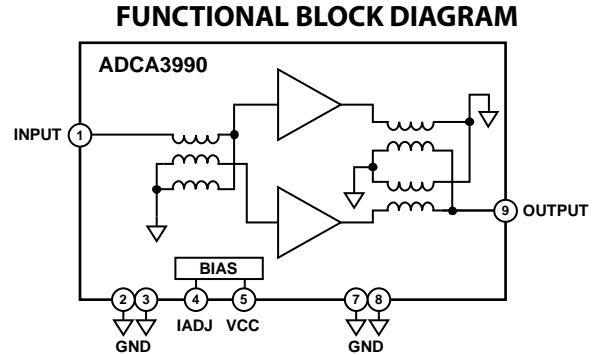


Figure 1.

16875-001

transistor (pHEMT) die and gallium nitride (GaN) HEMT die. The dc current and supply voltage can be adjusted externally for optimum distortion performance vs. power consumption over a range of output levels.

TABLE OF CONTENTS

Features	1	Absolute Maximum Ratings	4
Applications.....	1	ESD Caution.....	4
Functional Block Diagram	1	Pin Configuration and Function Descriptions.....	5
General Description	1	Typical Performance Characteristics	6
Revision History	2	Theory of Operation	7
Specifications.....	3	Applications Information	8
General Performance	3	Outline Dimensions	9
Distortion Data (40 MHz to 550 MHz).....	3	Ordering Guide	9

REVISION HISTORY

1/2020—Revision 0: Initial Version

SPECIFICATIONS

GENERAL PERFORMANCE

Supply voltage (V_{CC}) = 34 V, flange temperature (T_{FLANGE}) = 35°C, source impedance (Z_S) = load impedance (Z_L) = 75 Ω , unless otherwise noted.

Table 1.

Parameter	Symbol	Min	Typ	Max	Unit	Test Conditions/Comments
POWER GAIN	S_{21}		23.5		dB	f = 45 MHz
			24.5		dB	f = 1218 MHz
SLOPE OF STRAIGHT LINE ¹	SL		1.0		dB	f = 45 MHz to 1218 MHz
FLATNESS OF FREQUENCY RESPONSE			0.6		dB	f = 45 MHz to 1218 MHz
RETURN LOSS						
Input	S_{11}		-23		dB	f = 45 MHz to 320 MHz
			-15		dB	f = 320 MHz to 640 MHz
			-15		dB	f = 640 MHz to 870 MHz
			-18		dB	f = 870 MHz to 1000 MHz
Output	S_{22}		-14		dB	f = 1000 MHz to 1218 MHz
			-22		dB	f = 45 MHz to 320 MHz
			-24		dB	f = 320 MHz to 640 MHz
			-26		dB	f = 640 MHz to 870 MHz
			-24		dB	f = 870 MHz to 1000 MHz
			-22		dB	f = 1000 MHz to 1218 MHz
NOISE FIGURE	NF		3		dB	f = 45 MHz
				4		dB
SUPPLY						
Maximum Operating Voltage	V_{CC}		34		V	Can be biased down to 24 V
DC Current (Total)	$I_{CC(TOTAL)}$		535	550	mA	Can be biased between 400 mA and 550 mA

¹ Slope is defined as the delta between the gain at the start frequency and the gain at the stop frequency.

DISTORTION DATA (40 MHz TO 550 MHz)

$V_{CC} = 34$ V, $T_{FLANGE} = 35^\circ\text{C}$, $Z_S = Z_L = 75 \Omega$, unless otherwise noted.

Table 2.

Parameter	Symbol	Min	Typ	Max	Unit	Test Conditions/Comments
DISTORTION						Channel power (V_0) = 63 dBmV at 1218 MHz, 22 dB extrapolated tilt, 79 channels plus 111 digital channels (-6 dB offset) ¹
Composite Triple Beat	CTB		-82		dBc	CTB is defined by the National Cable and Telecommunications Association (NCTA)
Crossmodulation	XMOD		-74		dBc	XMOD is measured at baseband (selective voltmeter method) referenced to 100% modulation of the carrier being tested
Composite Second Order	CSO		-87		dBc	CSO parameter (sum and difference products) is defined by the NCTA
Carrier to Intermodulation Noise	CIN		62		dB	CIN is defined by ANSI/SCTE 17 (test procedure for carrier to noise)
TOTAL COMPOSITE POWER	TCP		76.8		dBmV	See Figure 7 and Figure 8
Virtual Level			67		dBmV	

¹ 79 analog channels plus 111 digital channels, National Television System Committee (NTSC) frequency raster = 55.25 MHz to 547.25 MHz, -6 dB offset to the equivalent analog carrier, and 22 dB extrapolated tilt.

ABSOLUTE MAXIMUM RATINGS

Table 3.

Parameter	Rating
VCC, IADJ	
DC Supply over Voltage (5 minute)	38 V
RF Input Power	75 dBmV
Operating Temperature Ranges	
Ambient (T_A)	-30°C to +85°C
Flange (T_{FLANGE})	-30°C to +100°C
Storage Temperature (T_s) Range	-40°C to +100°C

Stresses at or above those listed under Absolute Maximum Ratings may cause permanent damage to the product. This is a stress rating only; functional operation of the product at these or any other conditions above those indicated in the operational section of this specification is not implied. Operation beyond the maximum operating conditions for extended periods may affect product reliability.

ESD CAUTION



ESD (electrostatic discharge) sensitive device. Charged devices and circuit boards can discharge without detection. Although this product features patented or proprietary protection circuitry, damage may occur on devices subjected to high energy ESD. Therefore, proper ESD precautions should be taken to avoid performance degradation or loss of functionality.

PIN CONFIGURATION AND FUNCTION DESCRIPTIONS

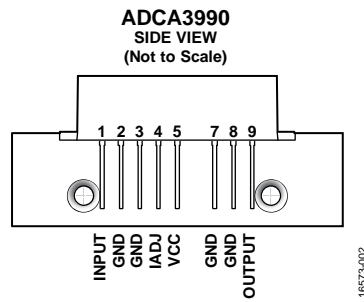


Figure 2. Pin Configuration

Table 4. Pin Function Descriptions

Pin No.	Mnemonic	Description
1	INPUT	RF Input.
2, 3, 7, 8	GND	Ground.
4	IADJ	Bias Control Pin. Keep this pin floating for full bias operation. Do not pull negative voltages at this pin.
5	VCC	Positive Supply Voltage. 34 V typical. This pin can be biased down to 24 V.
9	OUTPUT	RF Output.

TYPICAL PERFORMANCE CHARACTERISTICS

$V_{CC} = 34\text{ V}$, $T_{FLANGE} = 35^\circ\text{C}$, $Z_S = Z_L = 75\ \Omega$, unless otherwise noted.

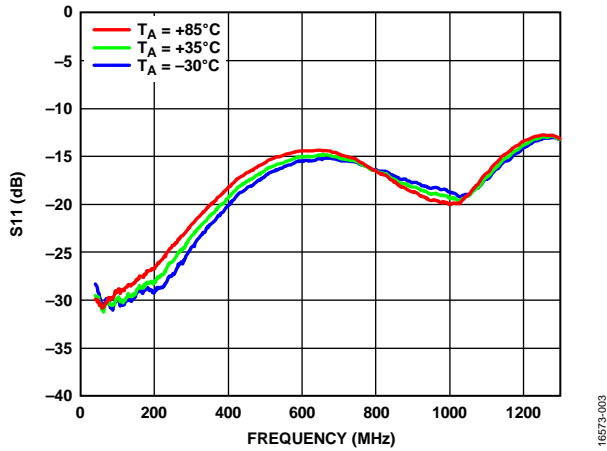


Figure 3. Input Return Loss (S11) vs. Frequency at Various Temperatures

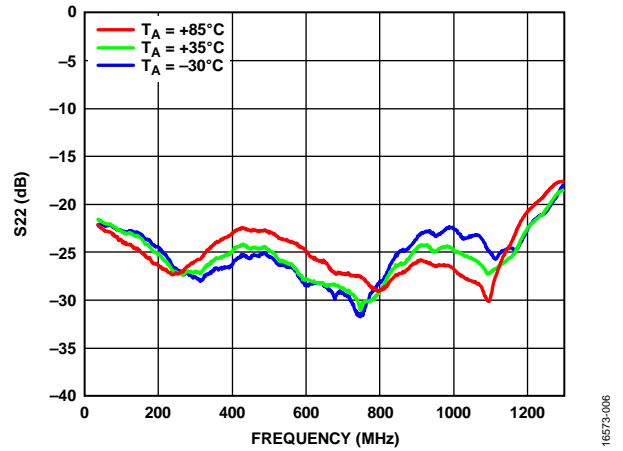


Figure 6. Output Return Loss (S22) vs. Frequency at Various Temperatures

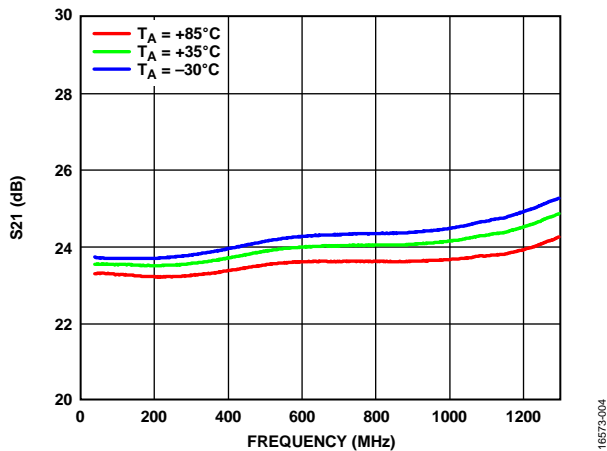


Figure 4. Gain (S21) vs. Frequency at Various Temperatures

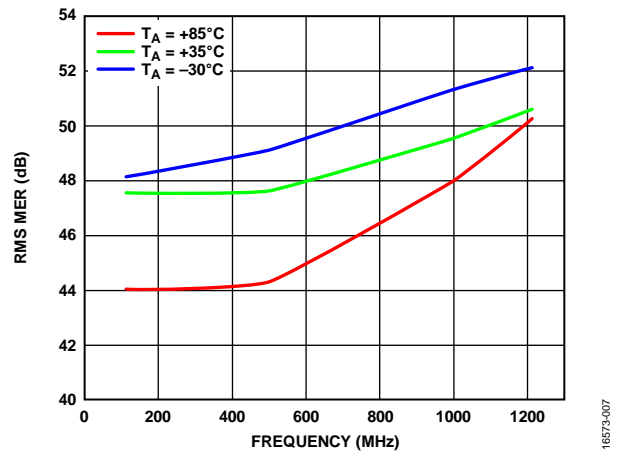


Figure 7. RMS Modulation Error Rate (MER) vs. Frequency at Various Temperatures, $V_0 = 61\text{ dBmV}$ at 1218 MHz, 23 dB Extrapolated Tilt, 190 Digital Channels, Total Composite Power = 76.8 dBmV

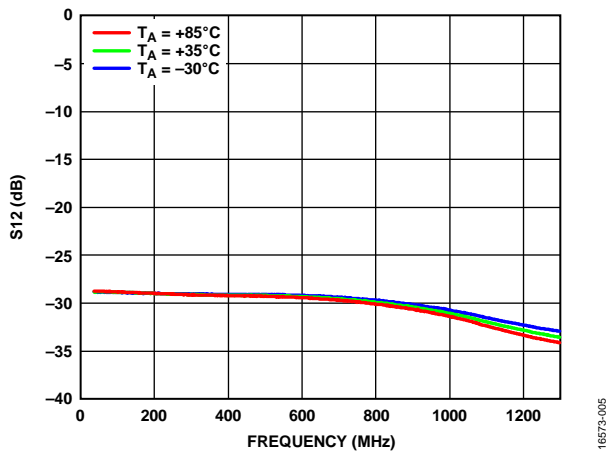


Figure 5. Reverse Isolation (S12) vs. Frequency at Various Temperatures

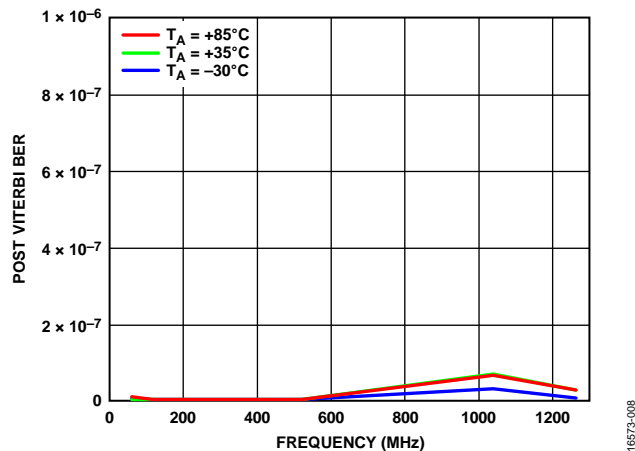


Figure 8. Post Viterbi Bit Error Rate (BER) vs. Frequency at Various Temperatures, $V_0 = 61\text{ dBmV}$ at 1218 MHz, 23 dB Extrapolated Tilt, 190 Digital Channels, Total Composite Power = 76.8 dBmV, 10 sec Integration Time

THEORY OF OPERATION

The ADCA3990 is a 75 Ω input and output matched module designed for CATV applications. The ADCA3990 uses cascode field effect transistor (FET) feedback amplifiers in a Class A push pull configuration. The bottom half of the cascode stages are implemented in a single-die linear FET process that minimizes parasitics, thereby enabling higher gain. The top devices in the cascodes are implemented using a linear GaN process able to swing very high RF voltages. The frequency of operation is from 45 MHz to 1218 MHz.

Internally, the ADCA3990 module uses a balun to convert the input signal to a balanced signal that feeds the active stages. An output impedance transformer and balun combination converts the balanced GaN signals to an unbalanced 75 Ω output. The output transformer also feeds the dc to the active stages and cancels second-order distortion products coming from the active devices.

The module has a control pin (IADJ) to set the dc current consumption from low bias to the full bias of the device by connecting a resistor from this pin to ground or by the use of a positive voltage.

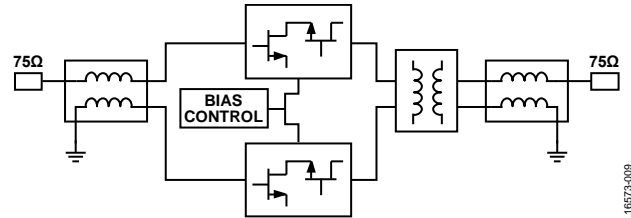


Figure 9. Simplified Schematic

APPLICATIONS INFORMATION

Basic connections for operating the ADCA3990 are shown in Figure 10. Both the input pin (Pin 1) and the output pin (Pin 9) of the ADCA3990 are matched to 75 Ω. Pin 5 is the VCC pin, which requires 34 V for typical operation, and can support as

low as 24 V for lower power operation. It is recommended to leave the IADJ pin (Pin 4) open for full bias operation. For bias control on the ADCA3990 supply current, apply an external control voltage between 0 V and 1 V at the IADJ pin.

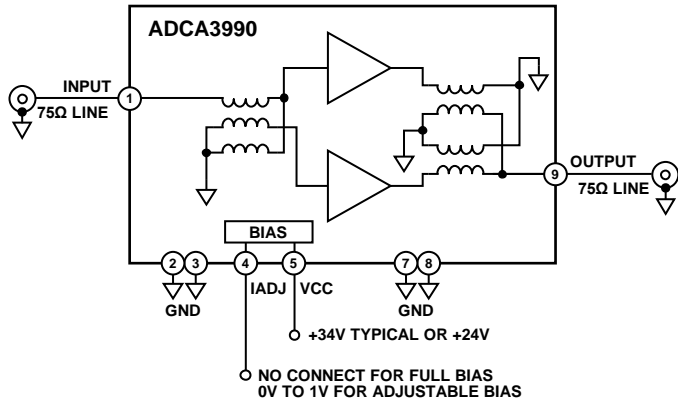


Figure 10. Basic Connections

1657-010

OUTLINE DIMENSIONS

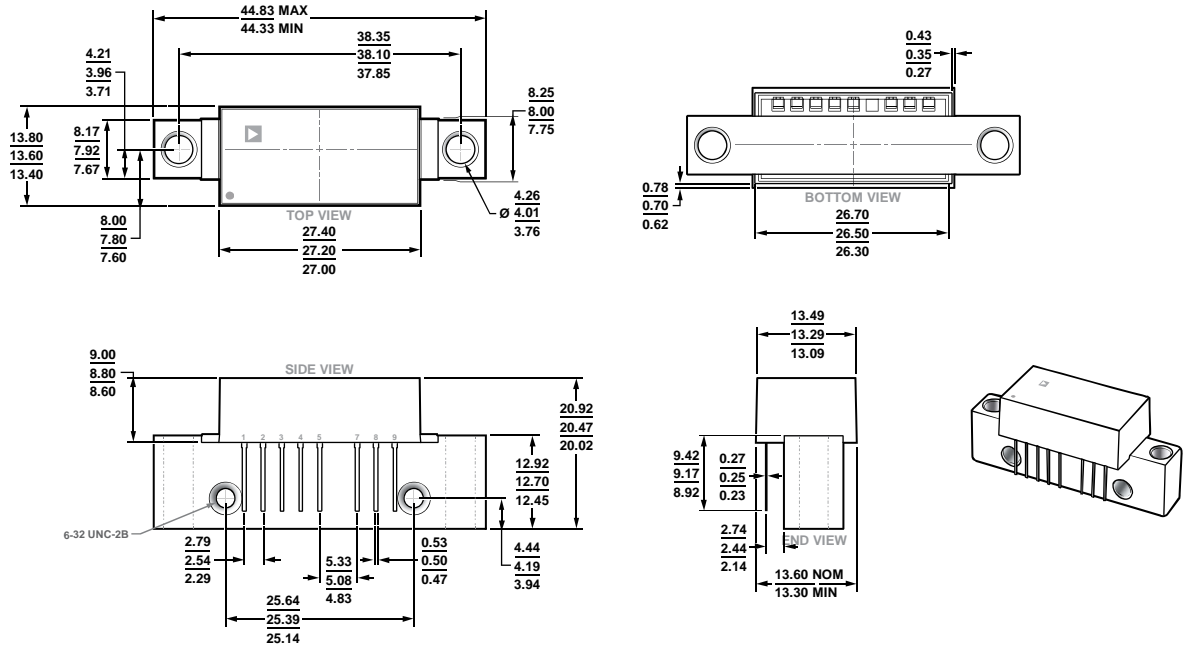


Figure 11. 8-Pin SOT115J Module Package [MODULE] (ML-8-1)
Dimensions shown in millimeters

ORDERING GUIDE

Model ¹	Temperature Range	Package Description	Package Option
ADCA3990AMLZ	-30°C to +100°C	8-Pin SOT115J Module Package [MODULE], Box with 25 Pieces	ML-8-1

¹ Z = RoHS Compliant Part.

X-ON Electronics

Largest Supplier of Electrical and Electronic Components

Click to view similar products for [RF Amplifier](#) category:

Click to view products by [Analog Devices](#) manufacturer:

Other Similar products are found below :

[A82-1](#) [BGA622H6820XTSA1](#) [BGA 728L7 E6327](#) [BGB719N7ESDE6327XTMA1](#) [HMC397-SX](#) [HMC405](#) [HMC561-SX](#) [HMC8120-SX](#)
[HMC8121-SX](#) [HMC-ALH382-SX](#) [HMC-ALH476-SX](#) [SE2433T-R](#) [SMA3101-TL-E](#) [SMA39](#) [A66-1](#) [A66-3](#) [A67-1](#) [A81-2](#) [LX5535LQ](#)
[LX5540LL](#) [MAAM02350](#) [HMC3653LP3BETR](#) [HMC549MS8GETR](#) [HMC576-SX](#) [HMC-ALH435-SX](#) [SMA101](#) [SMA32](#) [SMA411](#)
[SMA531](#) [SST12LP19E-QX6E](#) [WPM0510A](#) [HMC5879LS7TR](#) [HMC1087F10](#) [HMC1086](#) [HMC1016](#) [SMA1212](#) [MAX2689EWS+T](#)
[MAAMSS0041TR](#) [MAAM37000-A1G](#) [LTC6430AIUF-15#PBF](#) [SMA70-2](#) [SMA4011](#) [A231](#) [HMC-AUH232](#) [LX5511LQ](#) [LX5511LQ-TR](#)
[HMC7441-SX](#) [HMC-ALH310](#) [XD1001-BD-000V](#) [A4011](#)