

FEATURES

- 4.8 GHz operating frequency
- 75 fs rms broadband random jitter
- On-chip input terminations
- 3.3 V power supply

APPLICATIONS

- Low jitter clock distribution
- Clock and data signal restoration
- Level translation
- Wireless communications
- Wired communications
- Medical and industrial imaging
- ATE and high performance instrumentation

GENERAL DESCRIPTION

The **ADCLK946** is an ultrafast clock fanout buffer fabricated on the Analog Devices, Inc., proprietary XFCB3 silicon germanium (SiGe) bipolar process. This device is designed for high speed applications requiring low jitter.

The device has a differential input equipped with center-tapped, differential, 100 Ω on-chip termination resistors. The input accepts dc-coupled LVPECL, CML, 3.3 V CMOS (single ended), and ac-coupled 1.8 V CMOS, LVDS, and LVPECL inputs. A V_{REF} pin is available for biasing ac-coupled inputs.

The **ADCLK946** features six full-swing emitter-coupled logic (ECL) output drivers. For LVPECL (positive ECL) operation, bias V_{CC} to the positive supply and V_{EE} to ground. For ECL operation, bias V_{CC} to ground and V_{EE} to the negative supply.

The ECL output stages are designed to directly drive 800 mV each side into 50 Ω terminated to $V_{CC} - 2$ V for a total differential output swing of 1.6 V.

The **ADCLK946** is available in a 24-lead LFCSP and is specified for operation over the standard industrial temperature range of -40°C to $+85^{\circ}\text{C}$.

FUNCTIONAL BLOCK DIAGRAM

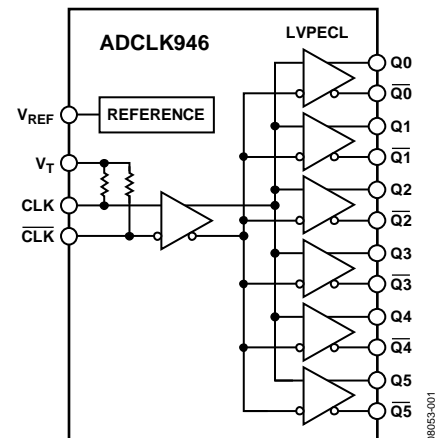


Figure 1.

09053-001

Rev. B

[Document Feedback](#)

Information furnished by Analog Devices is believed to be accurate and reliable. However, no responsibility is assumed by Analog Devices for its use, nor for any infringements of patents or other rights of third parties that may result from its use. Specifications subject to change without notice. No license is granted by implication or otherwise under any patent or patent rights of Analog Devices. Trademarks and registered trademarks are the property of their respective owners.

One Technology Way, P.O. Box 9106, Norwood, MA 02062-9106, U.S.A.
 Tel: 781.329.4700 ©2009–2017 Analog Devices, Inc. All rights reserved.
[Technical Support](#) www.analog.com

TABLE OF CONTENTS

| | | | |
|--|---|--|----|
| Features | 1 | Thermal Performance..... | 5 |
| Applications..... | 1 | Pin Configuration and Function Descriptions..... | 6 |
| General Description | 1 | Typical Performance Characteristics | 7 |
| Functional Block Diagram | 1 | Functional Description | 9 |
| Revision History | 2 | Clock Inputs | 9 |
| Specifications..... | 3 | Clock Outputs | 9 |
| Electrical Characteristics | 3 | PCB Layout Considerations..... | 10 |
| Absolute Maximum Ratings..... | 5 | Input Termination Options..... | 11 |
| Determining Junction Temperature | 5 | Outline Dimensions | 12 |
| ESD Caution..... | 5 | Ordering Guide | 12 |

REVISION HISTORY

8/2017—Rev. A to Rev. B

| | |
|----------------------------------|----|
| Changes to Figure 2..... | 6 |
| Updated Outline Dimensions | 12 |
| Changes to Ordering Guide | 12 |

5/2010—Rev. 0 to Rev. A

| | |
|---|---|
| Changes to Table 1, DC Output Characteristics | 3 |
|---|---|

4/2009—Revision 0: Initial Version

SPECIFICATIONS

ELECTRICAL CHARACTERISTICS

Typical (typ) values are given for $V_{CC} - V_{EE} = 3.3\text{ V}$ and $T_A = 25^\circ\text{C}$, unless otherwise noted. Minimum (min) and maximum (max) values are given over the full $V_{CC} - V_{EE} = 3.3\text{ V} \pm 10\%$ and $T_A = -40^\circ\text{C}$ to $+85^\circ\text{C}$ variation, unless otherwise noted.

Table 1. Clock Inputs and Outputs

| Parameter | Symbol | Min | Typ | Max | Unit | Test Conditions/Comments |
|----------------------------------|-----------|-----------------|------------------|-----------------|---------------|---|
| DC INPUT CHARACTERISTICS | | | | | | |
| Input Voltage High Level | V_{IH} | $V_{EE} + 1.6$ | | V_{CC} | V | $\pm 1.7\text{ V}$ between input pins Open V_T |
| Input Voltage Low Level | V_{IL} | V_{EE} | | $V_{CC} - 0.2$ | V | |
| Input Differential Range | V_{ID} | 0.4 | | 3.4 | V p-p | |
| Input Capacitance | C_{IN} | | 0.4 | | pF | |
| Input Resistance | | | | | | |
| Single-Ended Mode | | | 50 | | Ω | |
| Differential Mode | | | 100 | | Ω | |
| Common Mode | | | 50 | | k Ω | |
| Input Bias Current | | | 20 | | μA | |
| Hysteresis | | | 10 | | mV | |
| DC OUTPUT CHARACTERISTICS | | | | | | |
| Output Voltage High Level | V_{OH} | $V_{CC} - 1.26$ | | $V_{CC} - 0.76$ | V | 50 Ω to $(V_{CC} - 2.0\text{ V})$ |
| Output Voltage Low Level | V_{OL} | $V_{CC} - 1.99$ | | $V_{CC} - 1.54$ | V | 50 Ω to $(V_{CC} - 2.0\text{ V})$ |
| Output Voltage, Single-Ended | V_O | 610 | | 960 | mV | $V_{OH} - V_{OL}$, output static |
| Reference Voltage | V_{REF} | | | | | |
| Output Voltage | | | $(V_{CC} + 1)/2$ | | V | $-500\ \mu\text{A}$ to $+500\ \mu\text{A}$ |
| Output Resistance | | | 235 | | Ω | |

Table 2. Timing Characteristics

| Parameter | Symbol | Min | Typ | Max | Unit | Test Conditions/Comments |
|---------------------------------------|------------|-----|------|-----|----------------------|---|
| AC PERFORMANCE | | | | | | |
| Maximum Output Frequency | | 4.5 | 4.8 | | GHz | See Figure 4 for differential output voltage vs. frequency, $>0.8\text{ V}$ differential output swing |
| Output Rise/Fall Time | t_R, t_F | 40 | 75 | 90 | ps | 20% to 80% measured differentially |
| Propagation Delay | t_{PD} | 150 | 185 | 220 | ps | $V_{ICM} = 2\text{ V}$, $V_{ID} = 1.6\text{ V p-p}$ |
| Temperature Coefficient | | | 50 | | fs/ $^\circ\text{C}$ | |
| Output-to-Output Skew | | | 9 | 28 | ps | |
| Part-to-Part Skew ¹ | | | | 45 | ps | $V_{ID} = 1.6\text{ V p-p}$ |
| Additive Time Jitter | | | | | | |
| Integrated Random Jitter | | | 28 | | fs rms | BW = 12 kHz – 20 MHz, CLK = 1 GHz |
| Broadband Random Jitter ² | | | 75 | | fs rms | $V_{ID} = 1.6\text{ V p-p}$, 8 V/ns, $V_{ICM} = 2\text{ V}$ |
| Crosstalk-Induced Jitter ³ | | | 90 | | fs rms | |
| CLOCK OUTPUT PHASE NOISE | | | | | | |
| Absolute Phase Noise | | | | | | Input slew rate $> 1\text{ V/ns}$ (see Figure 11 for more details) |
| $f_{IN} = 1\text{ GHz}$ | | | -119 | | dBc/Hz | @ 100 Hz offset |
| | | | -134 | | dBc/Hz | @ 1 kHz offset |
| | | | -145 | | dBc/Hz | @ 10 kHz offset |
| | | | -150 | | dBc/Hz | @ 100 kHz offset |
| | | | -150 | | dBc/Hz | $>1\text{ MHz}$ offset |

¹ The output skew is the difference between any two similar delay paths while operating at the same voltage and temperature.

² Measured at the rising edge of the clock signal; calculated using the SNR of the ADC method.

³ The amount of added jitter measured at the output while two related, asynchronous, differential frequencies are applied to the inputs.

Table 3. Power

| Parameter | Symbol | Min | Typ | Max | Unit | Test Conditions/Comments |
|--|-------------------|------|-----|------|------|--|
| POWER SUPPLY | | | | | | |
| Supply Voltage Requirement | $V_{CC} - V_{EE}$ | 2.97 | | 3.63 | V | 3.3 V + 10% |
| Power Supply Current | | | | | | Static |
| Negative Supply Current | I_{VEE} | | 90 | 115 | mA | $V_{CC} - V_{EE} = 3.3 \text{ V} \pm 10\%$ |
| Positive Supply Current | I_{VCC} | | 245 | 275 | mA | $V_{CC} - V_{EE} = 3.3 \text{ V} \pm 10\%$ |
| Power Supply Rejection ¹ | PSR_{VCC} | | <3 | | ps/V | $V_{CC} - V_{EE} = 3.3 \text{ V} \pm 10\%$ |
| Output Swing Supply Rejection ² | PSR_{VCC} | | 28 | | dB | $V_{CC} - V_{EE} = 3.3 \text{ V} \pm 10\%$ |

¹ Change in t_{PD} per change in V_{CC} .

² Change in output swing per change in V_{CC} .

ABSOLUTE MAXIMUM RATINGS

Table 4.

| Parameter | Rating |
|---|---|
| Supply Voltage $V_{CC} - V_{EE}$ | 6.0 V |
| Input Voltage CLK, $\overline{\text{CLK}}$ | $V_{EE} - 0.5 \text{ V}$ to $V_{CC} + 0.5 \text{ V}$ |
| CLK, $\overline{\text{CLK}}$ to V_T Pin (CML, LVPECL Termination) | $\pm 40 \text{ mA}$ |
| CLK to $\overline{\text{CLK}}$ | $\pm 1.8 \text{ V}$ |
| Input Termination, V_T to CLK, $\overline{\text{CLK}}$ | $\pm 2 \text{ V}$ |
| Maximum Voltage on Output Pins | $V_{CC} + 0.5 \text{ V}$ |
| Maximum Output Current | 35 mA |
| Voltage Reference (V_{REF}) | V_{CC} to V_{EE} |
| Operating Temperature Range | |
| Ambient | -40°C to $+85^\circ\text{C}$ |
| Junction | 150°C |
| Storage Temperature Range | -65°C to $+150^\circ\text{C}$ |

Stresses at or above those listed under Absolute Maximum Ratings may cause permanent damage to the product. This is a stress rating only; functional operation of the product at these or any other conditions above those indicated in the operational section of this specification is not implied. Operation beyond the maximum operating conditions for extended periods may affect product reliability.

THERMAL PERFORMANCE

Table 5.

| Parameter | Symbol | Description | Value ¹ | Unit |
|--|----------------|---------------------------------|--------------------|---------------------------|
| Junction-to-Ambient Thermal Resistance | | | | |
| Still Air | | | | |
| 0.0 m/sec Airflow | θ_{JA} | Per JEDEC JESD51-2 | 54.3 | $^\circ\text{C}/\text{W}$ |
| Moving Air | | | | |
| 1.0 m/sec Airflow | θ_{JMA} | Per JEDEC JESD51-6 | 47.5 | $^\circ\text{C}/\text{W}$ |
| 2.5 m/sec Airflow | θ_{JMA} | Per JEDEC JESD51-6 | 42.6 | $^\circ\text{C}/\text{W}$ |
| Junction-to-Board Thermal Resistance | | | | |
| Moving Air | | | | |
| 1.0 m/sec Airflow | θ_{JB} | Per JEDEC JESD51-8 (moving air) | 33.0 | $^\circ\text{C}/\text{W}$ |
| Junction-to-Case Thermal Resistance (Die-to-Heat Sink) | | | | |
| Moving Air | θ_{JC} | Per MIL-Std. 883, Method 1012.1 | 2.0 | $^\circ\text{C}/\text{W}$ |
| Junction-to-Top-of-Package Characterization Parameter | | | | |
| Still Air | | | | |
| 0 m/sec Airflow | Ψ_{JT} | Per JEDEC JESD51-2 | 0.9 | $^\circ\text{C}/\text{W}$ |

¹Results are from simulations. The PCB is a JEDEC multilayer type. Thermal performance for actual applications requires careful inspection of the conditions in the application to determine if they are similar to those assumed in these calculations.

DETERMINING JUNCTION TEMPERATURE

To determine the junction temperature on the application printed circuit board (PCB), use the following equation:

$$T_J = T_{CASE} + (\Psi_{JT} \times P_D)$$

where:

T_J is the junction temperature ($^\circ\text{C}$).

T_{CASE} is the case temperature ($^\circ\text{C}$) measured by the customer at the top center of the package.

Ψ_{JT} is as indicated in Table 5.

P_D is the power dissipation.

Values of θ_{JA} are provided for package comparison and PCB design considerations. θ_{JA} can be used for a first-order approximation of T_J by the equation

$$T_J = T_A + (\theta_{JA} \times P_D)$$

where T_A is the ambient temperature ($^\circ\text{C}$).

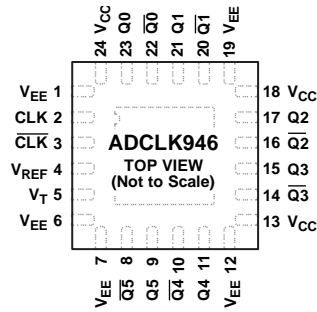
Values of θ_{JB} are provided in Table 5 for package comparison and PCB design considerations.

ESD CAUTION



ESD (electrostatic discharge) sensitive device. Charged devices and circuit boards can discharge without detection. Although this product features patented or proprietary protection circuitry, damage may occur on devices subjected to high energy ESD. Therefore, proper ESD precautions should be taken to avoid performance degradation or loss of functionality.

PIN CONFIGURATION AND FUNCTION DESCRIPTIONS



NOTES
 1. EXPOSED PADDLE MUST BE CONNECTED TO V_{EE}.

08053-002

Figure 2. Pin Configuration

Table 6. Pin Function Descriptions

| Pin No. | Mnemonic | Description |
|-----------------|-----------------------------|---|
| 1, 6, 7, 12, 19 | V _{EE} | Negative Supply Pin. |
| 2 | CLK | Differential Input (Positive). |
| 3 | $\overline{\text{CLK}}$ | Differential Input (Negative). |
| 4 | V _{REF} | Reference Voltage. This pin provides the reference voltage for biasing ac-coupled CLK and $\overline{\text{CLK}}$ inputs. |
| 5 | V _T | Center Tap. This pin provides the center tap of a 100 Ω input resistor for CLK and $\overline{\text{CLK}}$ inputs. |
| 8, 9 | $\overline{\text{Q5}}$, Q5 | Differential LVPECL Outputs. |
| 10, 11 | $\overline{\text{Q4}}$, Q4 | Differential LVPECL Outputs. |
| 13, 18, 24 | V _{CC} | Positive Supply Pin. |
| 14, 15 | $\overline{\text{Q3}}$, Q3 | Differential LVPECL Outputs. |
| 16, 17 | $\overline{\text{Q2}}$, Q2 | Differential LVPECL Outputs. |
| 20, 21 | $\overline{\text{Q1}}$, Q1 | Differential LVPECL Outputs. |
| 22, 23 | $\overline{\text{Q0}}$, Q0 | Differential LVPECL Outputs. |
| | EPAD | EPAD must be soldered to V _{EE} . |

TYPICAL PERFORMANCE CHARACTERISTICS

$V_{CC} = 3.3\text{ V}$, $V_{EE} = 0.0\text{ V}$, $V_{ICM} = V_{REF}$, $T_A = 25^\circ\text{C}$, clock outputs terminated at $50\ \Omega$ to $V_{CC} - 2\text{ V}$, unless otherwise noted.

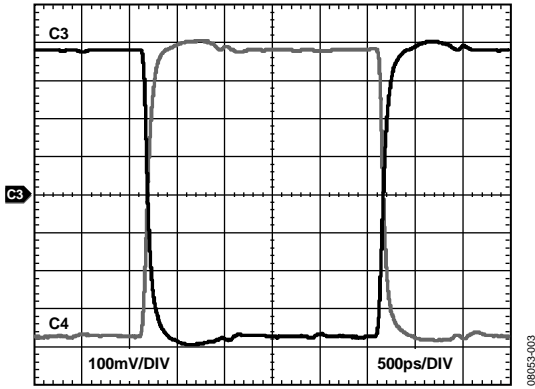


Figure 3. LVPECL Output Waveform @ 200 MHz

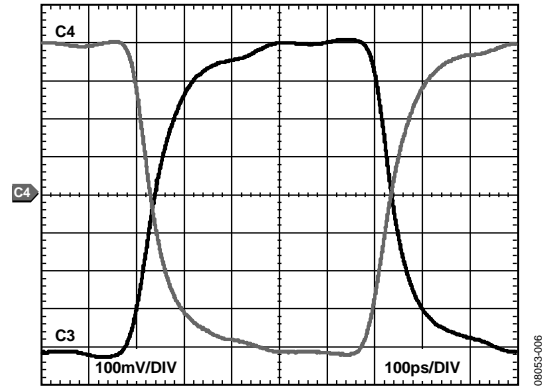


Figure 6. LVPECL Output Waveform @ 1000 MHz

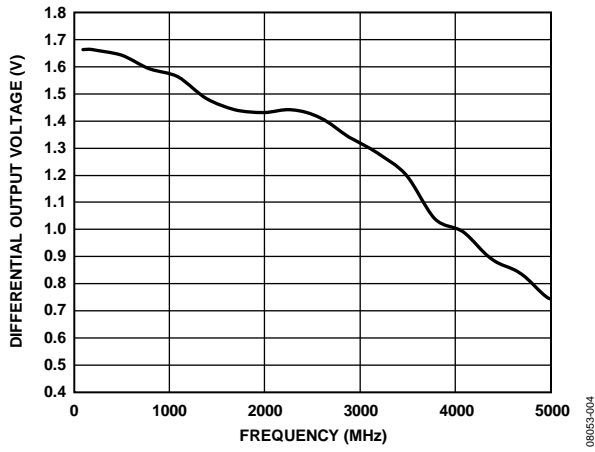


Figure 4. Differential Output Swing vs. Frequency

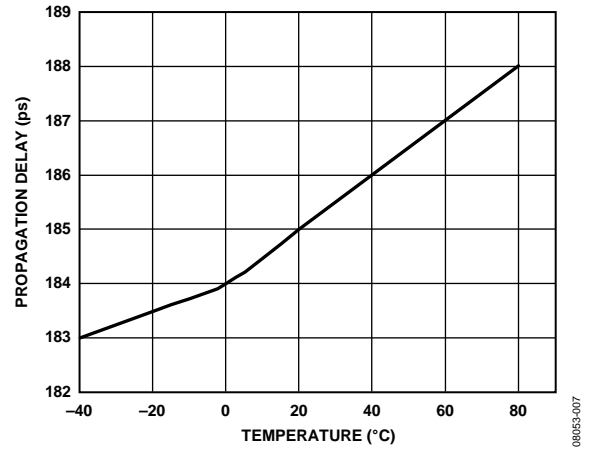


Figure 7. Propagation Delay vs. Temperature

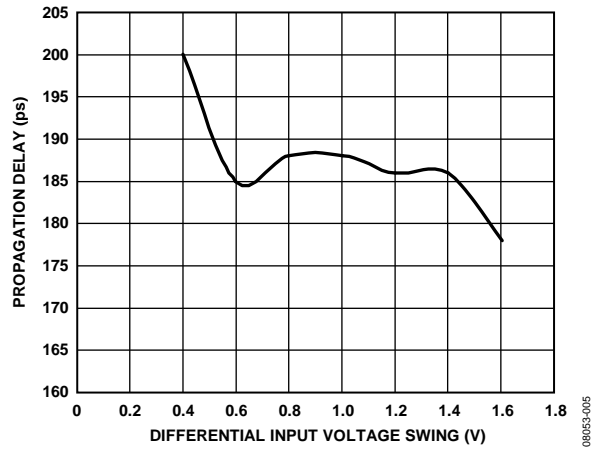


Figure 5. Propagation Delay vs. Differential Input Voltage

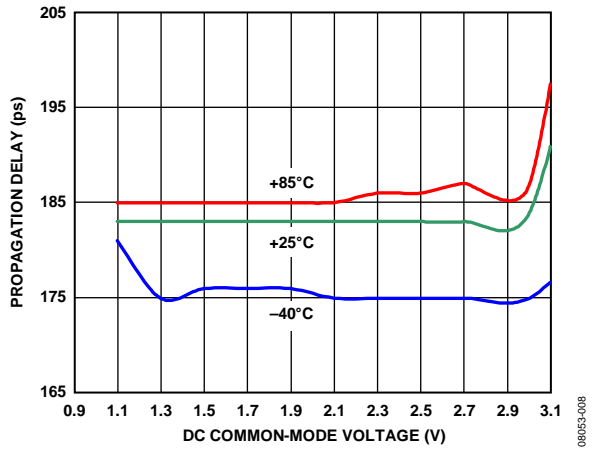


Figure 8. Propagation Delay vs. Common-Mode Voltage vs. Temperature, Input Slew Rate > 25 V/ns

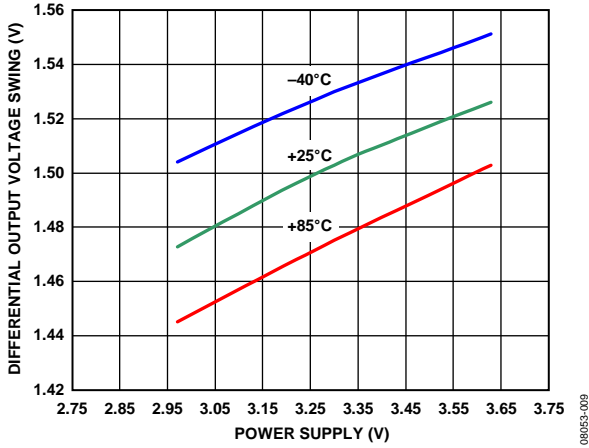


Figure 9. Differential Output Swing vs. Power Supply Voltage vs. Temperature, $V_{ID} = 1.6\text{ V p-p}$

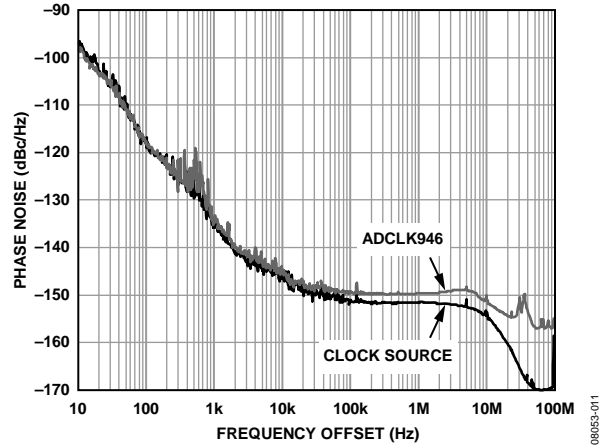


Figure 11. Absolute Phase Noise Measured @ 1 GHz with Agilent E5052

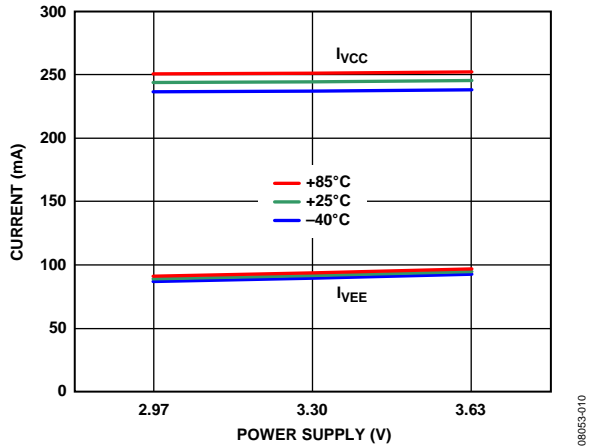


Figure 10. Power Supply Current vs. Power Supply Voltage vs. Temperature, All Outputs Loaded ($50\ \Omega$ to $V_{CC} - 2\text{ V}$)

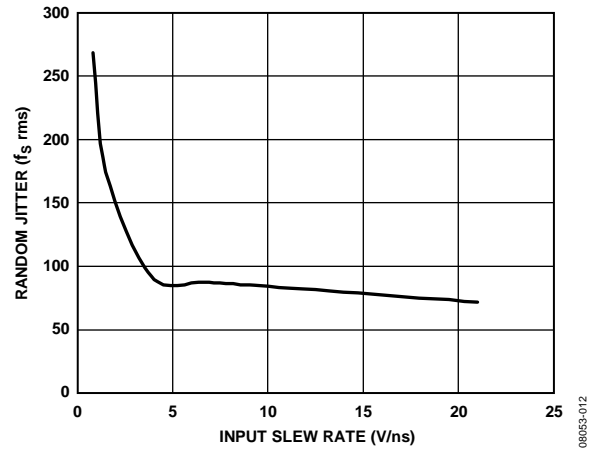


Figure 12. RMS Jitter vs. Input Slew Rate, V_{ID} Method

FUNCTIONAL DESCRIPTION

CLOCK INPUTS

The ADCLK946 accepts a differential clock input and distributes it to all six LVPECL outputs. The maximum specified frequency is the point at which the output voltage swing is 50% of the standard LVPECL swing (see Figure 4).

The device has a differential input equipped with center-tapped, differential, 100 Ω on-chip termination resistors. The input accepts dc-coupled LVPECL, CML, 3.3 V CMOS (single ended), and ac-coupled 1.8 V CMOS, LVDS, and LVPECL inputs. A V_{REF} pin is available for biasing ac-coupled inputs (see Figure 1).

Maintain the differential input voltage swing from approximately 400 mV p-p to no more than 3.4 V p-p. See Figure 14 through Figure 17 for various clock input termination schemes.

Output jitter performance is degraded by an input slew rate below 1 V/ns, as shown in Figure 12. The ADCLK946 is specifically designed to minimize added random jitter over a wide input slew rate range. Whenever possible, clamp excessively large input signals with fast Schottky diodes because attenuators reduce the slew rate. Input signal runs of more than a few centimeters should be over low loss dielectrics or cables with good high frequency characteristics.

CLOCK OUTPUTS

The specified performance necessitates using proper transmission line terminations. The LVPECL outputs of the ADCLK946 are designed to directly drive 800 mV into a 50 Ω cable or into microstrip/stripline transmission lines terminated with 50 Ω referenced to $V_{CC} - 2 V$, as shown in Figure 14. The LVPECL output stage is shown in Figure 13. The outputs are designed for best transmission line matching. If high speed signals must be routed more than a centimeter, either the microstrip or the stripline technique is required to ensure proper transition times and to prevent excessive output ringing and pulse-width-dependent, propagation delay dispersion.

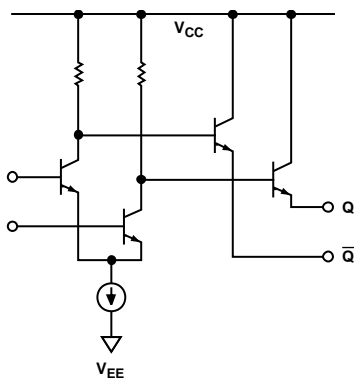


Figure 13. Simplified Schematic Diagram of the LVPECL Output Stage

Figure 14 through Figure 17 depict various LVPECL output termination schemes. When dc-coupled, V_{CC} of the receiving buffer should match the V_{S_DRV} .

Thevenin-equivalent termination uses a resistor network to provide 50 Ω termination to a dc voltage that is below V_{OL} of the LVPECL driver. In this case, V_{S_DRV} on the ADCLK946 should equal V_{CC} of the receiving buffer. Although the resistor combination shown in Figure 15 results in a dc bias point of $V_{S_DRV} - 2 V$, the actual common-mode voltage is $V_{S_DRV} - 1.3 V$ because there is additional current flowing from the ADCLK946 LVPECL driver through the pull-down resistor.

LVPECL Y-termination is an elegant termination scheme that uses the fewest components and offers both odd- and even-mode impedance matching. Even-mode impedance matching is an important consideration for closely coupled transmission lines at high frequencies. Its main drawback is that it offers limited flexibility for varying the drive strength of the emitter-follower LVPECL driver. This can be an important consideration when driving long trace lengths but is usually not an issue.

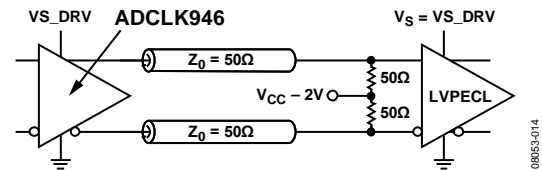


Figure 14. DC-Coupled, 3.3 V LVPECL

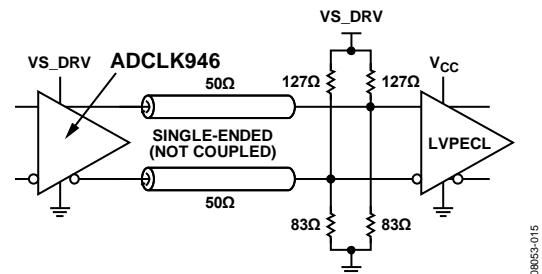


Figure 15. DC-Coupled, 3.3 V LVPECL Far-End Thevenin Termination

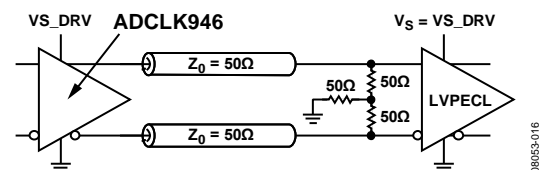


Figure 16. DC-Coupled, 3.3 V LVPECL Y-Termination

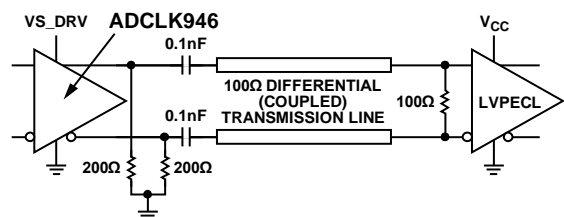


Figure 17. AC-Coupled, LVPECL with Parallel Transmission Line

PCB LAYOUT CONSIDERATIONS

The ADCLK946 buffer is designed for very high speed applications. Consequently, high speed design techniques must be used to achieve the specified performance. It is critically important to use low impedance supply planes for both the negative supply (V_{EE}) and the positive supply (V_{CC}) planes as part of a multilayer board. Providing the lowest inductance return path for switching currents ensures the best possible performance in the target application.

The following references to the ground plane assume that the V_{EE} power plane is grounded for LVPECL operation. Note that, for ECL operation, the V_{CC} power plane becomes the ground plane.

It is also important to adequately bypass the input and output supplies. Place a 1 μF electrolytic bypass capacitor within several inches of each V_{CC} power supply pin to the ground plane. In addition, place multiple high quality 0.001 μF bypass capacitors as close as possible to each of the V_{CC} supply pins, and connect the capacitors to the ground plane with redundant vias. Carefully select high frequency bypass capacitors for minimum inductance and ESR. To improve the effectiveness of the bypass at high frequencies, minimize parasitic layout inductance. Also, avoid discontinuities along input and output transmission lines that can affect jitter performance.

In a 50 Ω environment, input and output matching have a significant impact on performance. The buffer provides internal 50 Ω termination resistors for both CLK and $\overline{\text{CLK}}$ inputs. Normally, the return side is connected to the reference pin that is provided. Carefully bypass the termination potential using ceramic capacitors to prevent undesired aberrations on the input signal due to parasitic inductance in the termination return path. If the inputs are dc-coupled to a source, take care to

ensure that the pins are within the rated input differential and common-mode ranges.

If the return is floated, the device exhibits a 100 Ω cross-termination, but the source must then control the common-mode voltage and supply the input bias currents.

There are ESD/clamp diodes between the input pins to prevent the application from developing excessive offsets to the input transistors. ESD diodes are not optimized for best ac performance. When a clamp is required, it is recommended that appropriate external diodes be used.

Exposed Metal Paddle

The exposed metal paddle on the ADCLK946 package is both an electrical connection and a thermal enhancement. For the device to function properly, the paddle must be properly attached to the V_{EE} pin.

When properly mounted, the ADCLK946 also dissipates heat through its exposed paddle. The PCB acts as a heat sink for the ADCLK946. The PCB attachment must provide a good thermal path to a larger heat dissipation area. This requires a grid of vias from the top layer down to the V_{EE} power plane (see Figure 18). The ADCLK946 evaluation board (ADCLK946/PCBZ) provides an example of how to attach the part to the PCB.

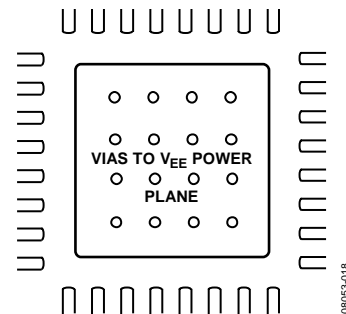
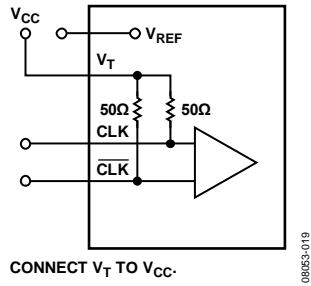
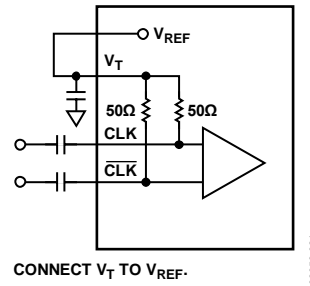


Figure 18. PCB Land for Attaching Exposed Paddle

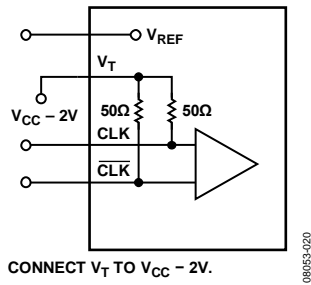
INPUT TERMINATION OPTIONS



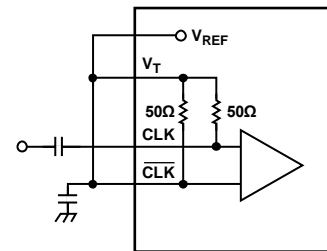
CONNECT V_T TO V_{CC} .
 Figure 19. Interfacing to CML Inputs



CONNECT V_T TO V_{REF} .
 Figure 21. AC-Coupling Differential Signals Inputs, Such as LVDS

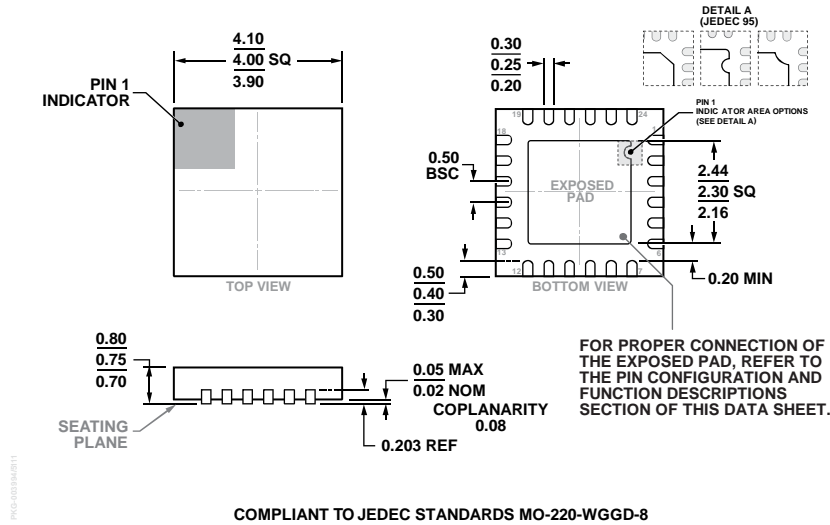


CONNECT V_T TO $V_{CC} - 2V$.
 Figure 20. Interfacing to PECL Inputs



CONNECT V_T , V_{REF} , AND \overline{CLK} . PLACE A BYPASS CAPACITOR FROM V_T TO GROUND. ALTERNATIVELY, V_T , V_{REF} , AND CLK CAN BE CONNECTED, GIVING A CLEANER LAYOUT AND A 180° PHASE SHIFT.

OUTLINE DIMENSIONS



COMPLIANT TO JEDEC STANDARDS MO-220-WGGD-8
 Figure 23. 24-Lead Lead Frame Chip Scale Package [LFCSP]
 4 mm × 4 mm Body and 0.75 mm Package Height
 CP-24-14
 Dimensions shown in millimeters

ORDERING GUIDE

| Model ¹ | Temperature Range | Package Description | Package Option |
|--------------------|-------------------|---------------------|----------------|
| ADCLK946BCPZ | -40°C to +85°C | 24-Lead LFCSP | CP-24-14 |
| ADCLK946BCPZ-REEL7 | -40°C to +85°C | 24-Lead LFCSP | CP-24-14 |
| ADCLK946/PCBZ | | Evaluation Board | |

¹ Z = RoHS Compliant Part.

X-ON Electronics

Largest Supplier of Electrical and Electronic Components

Click to view similar products for [Clock & Timer Development Tools](#) category:

Click to view products by [Analog Devices](#) manufacturer:

Other Similar products are found below :

[AD9517-0A/PCBZ](#) [AD9517-2A/PCBZ](#) [AD9522-4/PCBZ](#) [AD9520-5PCBZ](#) [AD9553/PCBZ](#) [ADCLK914PCBZ](#) [LMH2180SDEVAL](#) [DSC400-0333Q0032KE1-EVB](#) [TDGL013](#) [MAX2880EVKIT#](#) [MAX2750EVKIT](#) [MAX2752EVKIT](#) [ADCLK946PCBZ](#) [ADCLK946/PCBZ](#) [MAX2622EVKIT](#) [EKIT01-HMC1032LP6G](#) [Si5332-8IX-EVB](#) [RV-2251-C3-EVALUATION-BOARD](#) [Si5332-12IX-EVB](#) [RV-3029-C2-EVALUATION-BOARD-OPTION-B](#) [Si5332-6IX-EVB](#) [SKY72310-11-EVB](#) [EV1HMC8364LP6G](#) [RV-8263-C7-EVALUATION-BOARD](#) [EVK9FGV1002](#) [EVK9FGV1008](#) [EV1HMC6832ALP5L](#) [EVAL01-HMC830LP6GE](#) [EVAL01-HMC911LC4B](#) [TS3002DB](#) [125605-HMC702LP6CE](#) [LMX2487E-EVM](#) [MIKROE-2481](#) [2045](#) [EKIT01-HMC835LP6G](#) [EKIT01-HMC834LP6GE](#) [TS3006DB](#) [DSC-TIMEFLASH2-KIT1](#) [110227-HMC510LP5](#) [110227-HMC513LP5](#) [AD9515/PCBZ](#) [ADCLK948/PCBZ](#) [ADCLK954/PCBZ](#) [112261-HMC739LP4](#) [ADCLK925/PCBZ](#) [AD9522-0/PCBZ](#) [AD9520-4/PCBZ](#) [AC164147](#) [DFR0469](#) [LMK04133EVAL/NOPB](#)