



This version (13 Dec 2016 16:07) was **approved** by NevadaMark.
The [Previously approved version](#) (10 Dec 2016 00:37) is available.

ADIS16ACL1/PCBZ Breakout Board Wiki-Guide

OVERVIEW

The ADIS16ACL1/PCBZ is the breakout board for the ADIS16210 and ADIS16228 vibration sensing solutions. This breakout board function helps connect these two products to the EVAL-ADIS2 evaluation system. It also helps connect these products to existing embedded processor platforms.

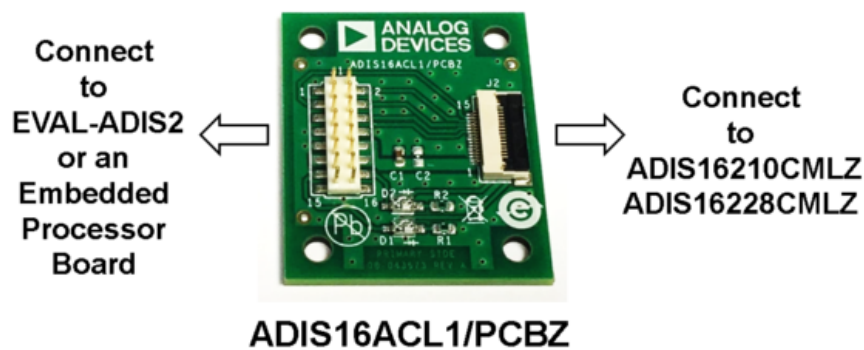


Table of Contents

- ◆ [ADIS16ACL1/PCBZ Breakout Board Wiki-Guide](#)
- ◆ [OVERVIEW](#)
- ◆ [ORDERING](#)
- ◆ [ADIS16210/ADIS16228 Connection](#)
- ◆ [EVAL-ADIS2 Connection](#)
- ◆ [Electrical Schematic](#)
- ◆ [Outer Dimensions](#)
- ◆ [Mounting Holes](#)

ORDERING

To order this breakout board, please visit the [ADIS16ACL1/PCBZ's web page](#)

ADIS16210/ADIS16228 Connection

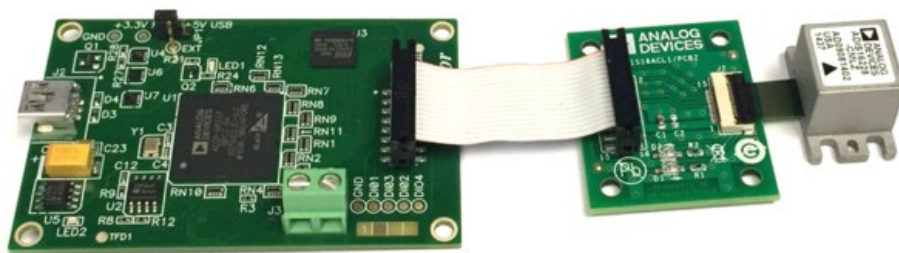
Please see the video demonstration for connecting the ADIS16210 or ADIS16228 to its mating connector.

[Connecting to the ADIS16210](#)

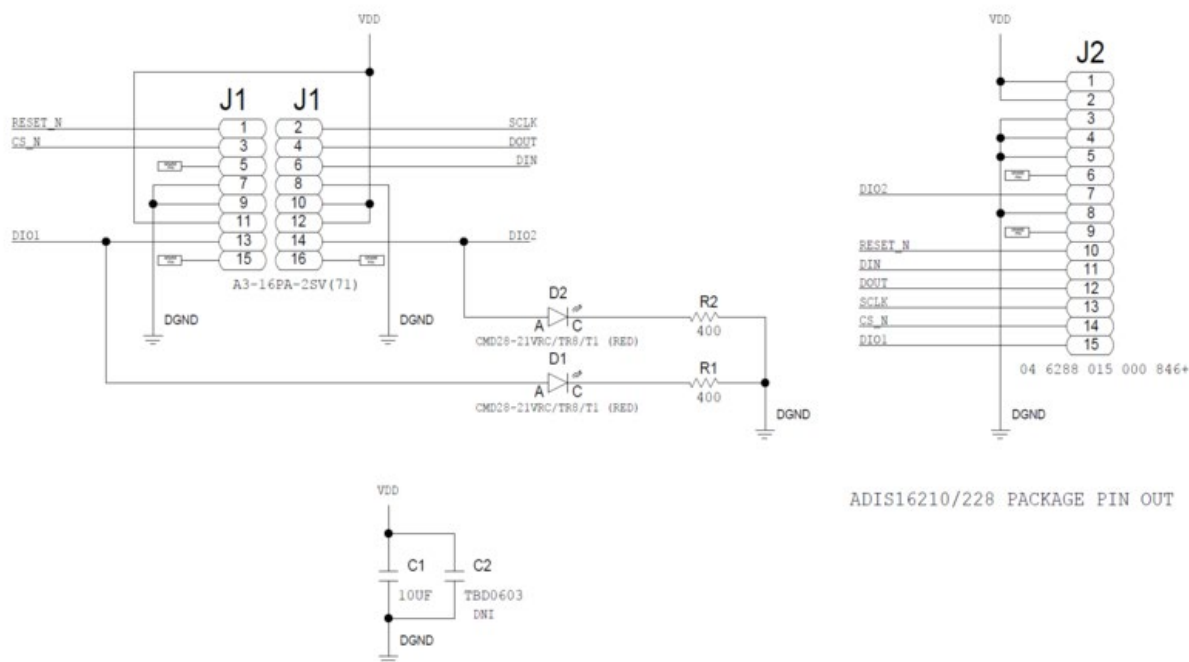


EVAL-ADIS2 Connection

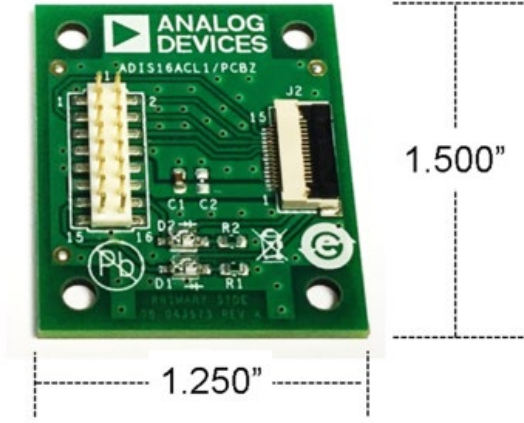
The EVAL-ADIS2 provides PC-based evaluation support for the ADIS16210 and ADIS16228. J1 on the EVAL-ADIS2Z and the ADIS16ACL1/PCBZ use the same pin assignments, so connecting them requires a 16-pin ribbon cable.



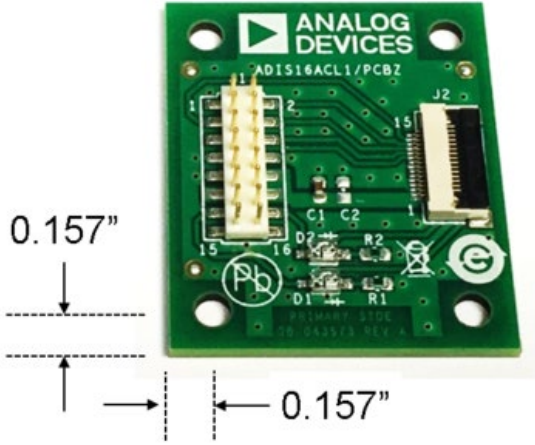
Electrical Schematic



Outer Dimensions



Mounting Holes



The basic diameter for the mounting holes (4x) is 0.130"

resources/eval/user-guides/inertial-mems/imu/adis16acl1-pcb.txt · Last modified: 13 Dec 2016 16:07 by NevadaMark

15,000 Problem Solvers	4,700+ Patents Worldwide	125,000 Customers	50+ Years
----------------------------------	------------------------------------	-----------------------------	---------------------

Ahead of What's Possible

Analog Devices is a global leader in the design and manufacturing of analog, mixed signal, and DSP integrated circuits to help solve the toughest engineering challenges.

See the Innovations

Analog Devices. Dedicated to solving the toughest engineering challenges.

SOCIAL

QUICK LINKS

About ADI
Analog
Dialogue
Investor
Relations

Sales &
Distribution

Partners
Careers
Contact us
News Room
Quality &
Reliability

LANGUAGES

English

□□□□

□□□

Русский

NEWSLETTERS

Interested in the latest news and articles about ADI products, design tools, training and events? Choose from one of our 12 newsletters that match your product area of interest, delivered monthly or quarterly to your inbox.

[Sign Up](#)

X-ON Electronics

Largest Supplier of Electrical and Electronic Components

Click to view similar products for [Acceleration Sensor Development Tools](#) category:

Click to view products by [Analog Devices](#) manufacturer:

Other Similar products are found below :

[2019](#) [EVAL-ADXL343Z-S](#) [BRKOUT-FXLN8362Q](#) [MXC6655XA-B](#) [1018](#) [EVAL-ADXL362-ARDZ](#) [1231](#) [1413](#) [DEV-13629](#) [2020](#) [EVAL-ADXL343Z-DB](#) [EVAL-ADXL344Z-M](#) [EVAL-ADXL375Z-S](#) [EV-BUNCH-WSN-1Z](#) [EV-CLUSTER-WSN-2Z](#) [STEVAL-MKI033V1](#) [EVAL-ADXL344Z-DB](#) [EVAL-ADXL346Z-DB](#) [EVAL-ADXL363Z-MLP](#) [EV-CLUSTER-WSN-1Z](#) [2472](#) [EVAL-ADXL312Z](#) [EVAL-ADXL343Z](#) [EVAL-ADXL344Z-S](#) [EVAL-ADXL363Z-S](#) [EVAL-ADXL375Z](#) [STEVALMKI032V1](#) [DFR0143](#) [SEN0032](#) [SEN0079](#) [SEN0168](#) [SEN0224](#) [MXA2500EL-B](#) [FIT0031](#) [SEN-13963](#) [MXP7205VW-B](#) [ASD2511-R-A](#) [3463](#) [SEN0140](#) [SEN0183](#) [SEN-11446](#) [EVAL-KX022-1020](#) [EVAL-KX023-1025](#) [163](#) [2809](#) [4097](#) [4344](#) [4627](#) [4626](#) [ADIS16201/PCBZ](#)