

Evaluating the ADL8105 Wideband, High Linearity, Low Noise Amplifier, 5 GHz to 20 GHz

FEATURES

- ▶ 4-layer Rogers 4350B and Isola 370HR evaluation board
- ▶ End launch, 2.9 mm RF connectors
- ▶ Through calibration path (depopulated)

EVALUATION KIT CONTENTS

- ▶ ADL8105-EVALZ evaluation board

EQUIPMENT NEEDED

- ▶ RF signal generator
- ▶ RF spectrum analyzer
- ▶ RF network analyzer
- ▶ 5 V, 300 mA power supply

GENERAL DESCRIPTION

The ADL8105-EVALZ consists of a 4-layer printed circuit board (PCB) fabricated from 10 mil thick, Rogers 4350B and Isola 370HR, copper clad, forming a nominal thickness of 62 mils. The RFIN and RFOUT ports on the ADL8105-EVALZ are populated with 2.9 mm, female coaxial connectors, and the corresponding RF traces have a 50 Ω characteristic impedance. The ADL8105-EVALZ is populated with components suitable for use over the entire -40°C to $+85^{\circ}\text{C}$ operating temperature range of the [ADL8105](#). To calibrate board trace losses, a through calibration path is provided between the J1 and J2 connectors. J1 and J2 must be populated with RF connectors to use the through calibration path. Refer to [Table 1](#) and [Figure 3](#) for the through calibration path performance.

Access the ADL8105-EVALZ ground path and the VDD pin through the surface-mount technology (SMT) test point connectors, GND and VDD. A supplementary test point for VBIAS is included for simple access on the RBIAS pin (see [Figure 5](#) for the test point locations).

The RF traces on the ADL8105-EVALZ are 50 Ω , grounded, coplanar waveguide. The package ground leads and the exposed pad connect directly to the ground plane. Multiple vias connect the top and bottom ground planes with particular focus on the area directly beneath the ground paddle to provide adequate electrical conduction and thermal conduction to the heat sink.

The power supply decoupling capacitors on the ADL8105-EVALZ represent the configuration used to characterize and qualify the device.

For full details on the ADL8105, see the ADL8105 data sheet, which must be consulted in conjunction with this user guide when using the ADL8105-EVALZ.

EVALUATION BOARD PHOTOGRAPHS

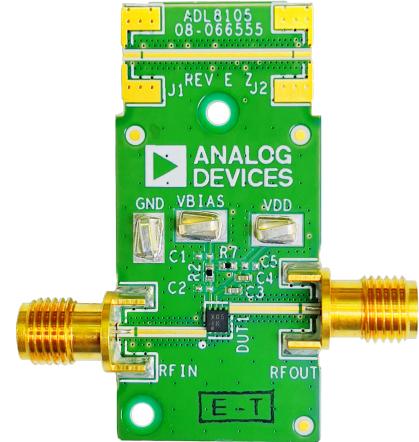


Figure 1. ADL8105-EVALZ Primary Side

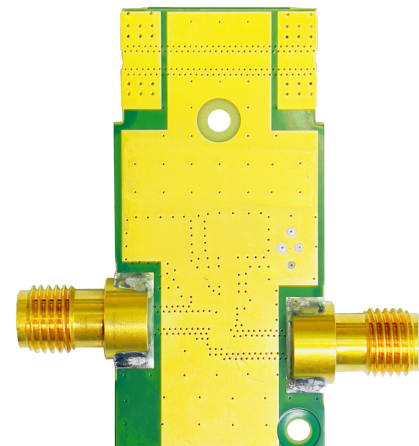


Figure 2. ADL8105-EVALZ Secondary Side

TABLE OF CONTENTS

Features.....	1	Operating the ADL8105-EVALZ.....	3
Evaluation Kit Contents.....	1	Recommended Bias Sequencing.....	3
Equipment Needed.....	1	Evaluation Board Schematic and Artwork.....	4
General Description.....	1	Ordering Information.....	5
Evaluation Board Photographs.....	1	Bill of Materials.....	5

REVISION HISTORY**7/2022—Revision 0: Initial Version**

OPERATING THE ADL8105-EVALZ

A 5 V, 300 mA power supply is required to provide the bias to the ADL8105 when using the ADL8105-EVALZ. Connect the 5 V power supply to the SMT test points, VDD and VBIAS. Connect the ground reference to the GND test point.

Refer to the ADL8105 data sheet for the recommended resistor values to achieve different supply currents. The default value of the external resistor, R2, connected on the ADL8105-EVALZ is 392 Ω , which is the same value used to characterize the ADL8105.

The following bias conditions are recommended to achieve the performance specified in the ADL8105 data sheet: supply voltage (V_{DD}) = 5 V, quiescent current (I_{DQ}) = 90 mA, and bias resistance (R_{BIAS}) = 392 Ω .

RECOMMENDED BIAS SEQUENCING

During Power-Up

To power up the ADL8105-EVALZ, follow this bias sequence:

1. Connect the VDD power supply.
2. Set the VDD supply to 5 V.
3. Apply the RF input signal.

During Power-Down

To power down the ADL8105-EVALZ, follow this bias sequence:

1. Turn off the RF input signal.
2. Set the VDD supply to 0 V.

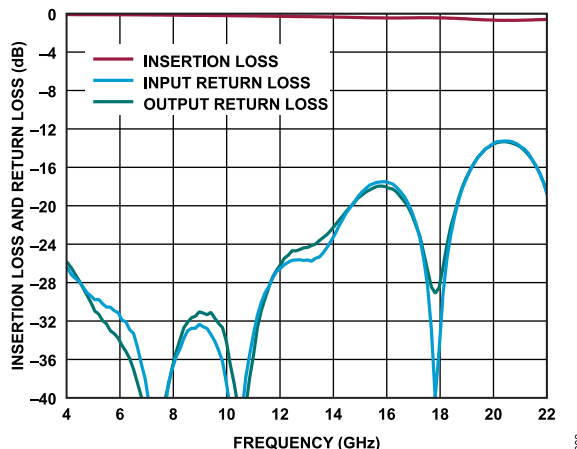


Figure 3. Insertion Loss and Return Loss of the Through Calibration Path

Table 1. Insertion Loss of the Through Calibration Path

Frequency (GHz)	Insertion Loss (dB)	Input Return Loss (dB)	Output Return Loss (dB)
4	-0.1	-26.5	-25.9
5	-0.1	-29.8	-30.9
6	-0.1	-31.9	-34.5
7	-0.1	-40.4	-44.6
8	-0.1	-35.7	-35.2
9	-0.1	-32.3	-31.0
10	-0.2	-38.4	-34.1
11	-0.2	-33.3	-35.6
12	-0.2	-26.5	-26.1
13	-0.3	-25.6	-24.3
14	-0.3	-23.0	-22.0
15	-0.4	-18.6	-18.9
16	-0.4	-17.6	-18.1
17	-0.4	-21.8	-22.0
18	-0.4	-29.8	-26.4
19	-0.5	-16.3	-16.3
20	-0.6	-13.3	-13.4
21	-0.6	-13.8	-13.9
22	-0.6	-18.9	-18.7

EVALUATION BOARD SCHEMATIC AND ARTWORK

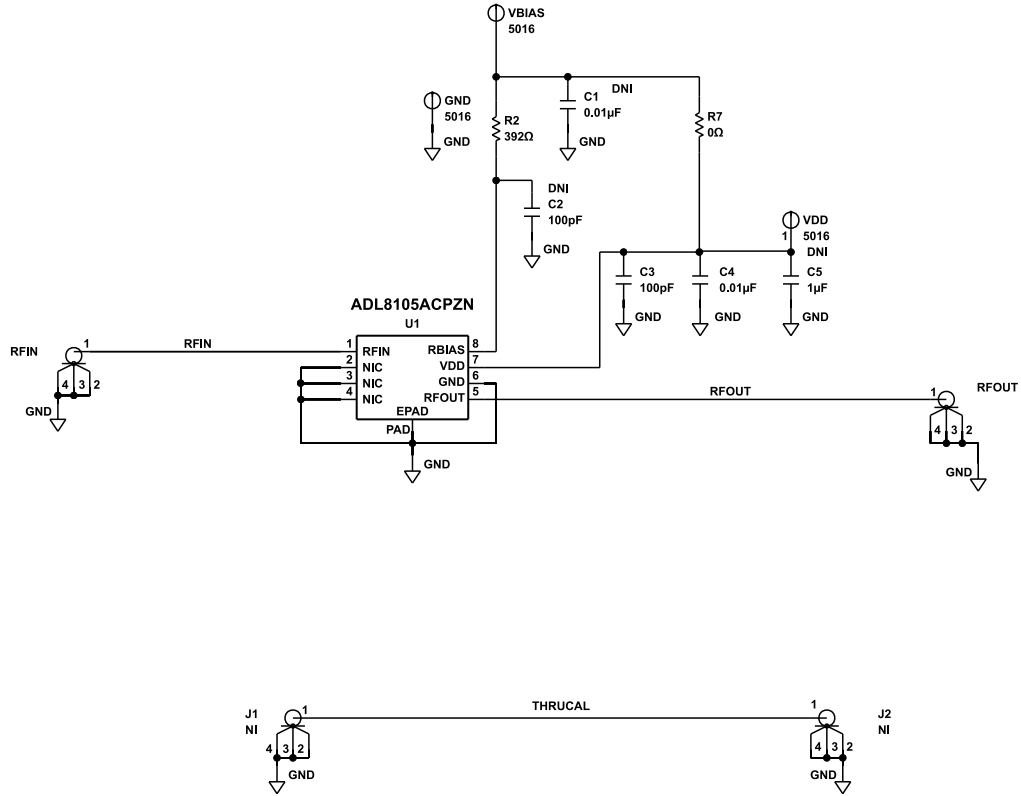


Figure 4. ADL8105-EVALZ Schematic

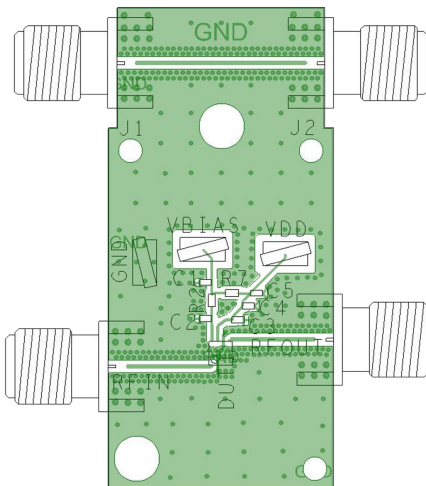


Figure 5. ADL8105-EVALZ Assembly Drawing (J1 and J2 Are Not Installed)

ORDERING INFORMATION

BILL OF MATERIALS

Table 2.

Reference Designator	Description	Manufacturer	Part Number
C1	0.01 μ F capacitor, 0402, do not install (DNI)	Not applicable	Not applicable
C2	100 pF capacitor, 0402 (DNI)	Not applicable	Not applicable
C3	100 pF ceramic capacitor, 50 V, 5%, COG, 0402	TDK Corporation	C1005NP01H101J050BA
C4	0.01 μ F ceramic capacitor, 25 V, 10%, X8R, 0402	TDK Corporation	C1005X8R1E103K
C5	1 μ F capacitor, 0402 (DNI)	Not applicable	Not applicable
RFIN, RFOUT	Connectors, 2.9 mm, jack edge	SRI Connector Gage Co.	25-146-1000-92
VDD, GND, VBIAS	Connectors, SMT test points	Keystone Electronics	5016
J1, J2	Connectors, 2.9 mm, jack edge, not installed (NI)	SRI Connector Gage Co.	25-146-1000-92
R2	392 Ω resistor, surface-mount device (SMD), 1%, 1/10 W, 0402	Panasonic	ERJ-2RKF3920X
U1	Gallium arsenide (GaAs), pseudomorphic high electron mobility transistor (pHEMT), monolithic microwave integrated circuit (MMIC), 5 GHz to 20 GHz	Analog Devices, Inc.	ADL8105

**ESD Caution**

ESD (electrostatic discharge) sensitive device. Charged devices and circuit boards can discharge without detection. Although this product features patented or proprietary protection circuitry, damage may occur on devices subjected to high energy ESD. Therefore, proper ESD precautions should be taken to avoid performance degradation or loss of functionality.

Legal Terms and Conditions

By using the evaluation board discussed herein (together with any tools, components documentation or support materials, the "Evaluation Board"), you are agreeing to be bound by the terms and conditions set forth below ("Agreement") unless you have purchased the Evaluation Board, in which case the Analog Devices Standard Terms and Conditions of Sale shall govern. Do not use the Evaluation Board until you have read and agreed to the Agreement. Your use of the Evaluation Board shall signify your acceptance of the Agreement. This Agreement is made by and between you ("Customer") and Analog Devices, Inc. ("ADI"), with its principal place of business at Subject to the terms and conditions of the Agreement, ADI hereby grants to Customer a free, limited, personal, temporary, non-exclusive, non-sublicensable, non-transferable license to use the Evaluation Board FOR EVALUATION PURPOSES ONLY. Customer understands and agrees that the Evaluation Board is provided for the sole and exclusive purpose referenced above, and agrees not to use the Evaluation Board for any other purpose. Furthermore, the license granted is expressly made subject to the following additional limitations: Customer shall not (i) rent, lease, display, sell, transfer, assign, sublicense, or distribute the Evaluation Board; and (ii) permit any Third Party to access the Evaluation Board. As used herein, the term "Third Party" includes any entity other than ADI, Customer, their employees, affiliates and in-house consultants. The Evaluation Board is NOT sold to Customer; all rights not expressly granted herein, including ownership of the Evaluation Board, are reserved by ADI. CONFIDENTIALITY. This Agreement and the Evaluation Board shall all be considered the confidential and proprietary information of ADI. Customer may not disclose or transfer any portion of the Evaluation Board to any other party for any reason. Upon discontinuation of use of the Evaluation Board or termination of this Agreement, Customer agrees to promptly return the Evaluation Board to ADI. ADDITIONAL RESTRICTIONS. Customer may not disassemble, decompile or reverse engineer chips on the Evaluation Board. Customer shall inform ADI of any occurred damages or any modifications or alterations it makes to the Evaluation Board, including but not limited to soldering or any other activity that affects the material content of the Evaluation Board. Modifications to the Evaluation Board must comply with applicable law, including but not limited to the RoHS Directive. TERMINATION. ADI may terminate this Agreement at any time upon giving written notice to Customer. Customer agrees to return to ADI the Evaluation Board at that time. LIMITATION OF LIABILITY. THE EVALUATION BOARD PROVIDED HEREUNDER IS PROVIDED "AS IS" AND ADI MAKES NO WARRANTIES OR REPRESENTATIONS OF ANY KIND WITH RESPECT TO IT. ADI SPECIFICALLY DISCLAIMS ANY REPRESENTATIONS, ENDORSEMENTS, GUARANTEES, OR WARRANTIES, EXPRESS OR IMPLIED, RELATED TO THE EVALUATION BOARD INCLUDING, BUT NOT LIMITED TO, THE IMPLIED WARRANTY OF MERCHANTABILITY, TITLE, FITNESS FOR A PARTICULAR PURPOSE OR NON-INFRINGEMENT OF INTELLECTUAL PROPERTY RIGHTS. IN NO EVENT WILL ADI AND ITS LICENSORS BE LIABLE FOR ANY INCIDENTAL, SPECIAL, INDIRECT, OR CONSEQUENTIAL DAMAGES RESULTING FROM CUSTOMER'S POSSESSION OR USE OF THE EVALUATION BOARD, INCLUDING BUT NOT LIMITED TO LOST PROFITS, DELAY COSTS, LABOR COSTS OR LOSS OF GOODWILL. ADI'S TOTAL LIABILITY FROM ANY AND ALL CAUSES SHALL BE LIMITED TO THE AMOUNT OF ONE HUNDRED US DOLLARS (\$100.00). EXPORT. Customer agrees that it will not directly or indirectly export the Evaluation Board to another country, and that it will comply with all applicable United States federal laws and regulations relating to exports. GOVERNING LAW. This Agreement shall be governed by and construed in accordance with the substantive laws of the Commonwealth of Massachusetts (excluding conflict of law rules). Any legal action regarding this Agreement will be heard in the state or federal courts having jurisdiction in Suffolk County, Massachusetts, and Customer hereby submits to the personal jurisdiction and venue of such courts. The United Nations Convention on Contracts for the International Sale of Goods shall not apply to this Agreement and is expressly disclaimed.



X-ON Electronics

Largest Supplier of Electrical and Electronic Components

Click to view similar products for [RF Development Tools](#) category:

Click to view products by [Analog Devices](#) manufacturer:

Other Similar products are found below :

[MAAP-015036-DIEEV2](#) [EV1HMC637ALP5](#) [EVAL-ADF7241DB1Z](#) [ADL5363-EVALZ](#) [LMV228SDEVAL](#) [SKYA21001-EVB](#) [MAAL-011111-000SMB](#) [MAAM-009633-001SMB](#) [MASW-000936-001SMB](#) [107780-HMC322ALP4](#) [SP000416870](#) [TQP4M9071-PCB-IF](#) [EV1HMC244AG16](#) [EVAL01-HMC190BMS8](#) [122763-HMC635LC4](#) [MAX2837EVKIT+](#) [MAX2692EVKIT#](#) [SKY12343-364LF-EVB](#) [MAX2016EVKIT](#) [MAX2204EVKIT+](#) [SIMSA868-DKL](#) [SIMSA868C-DKL](#) [SKY65806-636EK1](#) [SKY68020-11EK1](#) [SKY66181-11-EK1](#) [SKY65804-696EK1](#) [SKY13396-397LF-EVB](#) [SKY13380-350LF-EVB](#) [SKY13355-374LF-EVB](#) [SKY12210-478LF-EVB](#) [SKY12207-478LF-EVB](#) [SE5004L-EK1](#) [CLA4609-086-EVB](#) [SIMSA915C-DKL](#) [SIMSA915-DKL](#) [SIMSA433C-DKL](#) [SKY12212-478LF-EVB](#) [EVK-R202-00B](#) [RF1624PCK-410](#) [SKYA21003-EVB](#) [SKY85331-11EK1](#) [ADP-R202-00B](#) [GRF4042-EVB](#) [SKY13626-685LF-EVB](#) [SKY13636-695EK1](#) [SKY13638-700EK1](#) [SKY66298-11-EVB](#) [SKY68000-31EK1](#) [SKY85310-11EK1](#) [SKY85310-21EK1](#)