

FEATURES

3 output voltages (+5.1 V, +15.3 V, -10.2 V) from one 3 V input supply

Power efficiency optimized for use with TFT in mobile phones

Low quiescent current

Low shutdown current (<1 μ A)

Fast transient response

Shutdown function

Power saving during blanking period

Option to use external LDO

APPLICATIONS

Handheld instruments

TFT LCD panels

Cellular phones

GENERAL DESCRIPTION

The ADM8832 is a charge pump regulator used for color thin film transistor (TFT) liquid crystal displays (LCD). Using charge pump technology, the device can be used to generate three output voltages (+5.1 V \pm 2%, +15.3 V, -10.2 V) from a single 3 V input supply. These outputs are then used to provide supplies for the LCD controller (+5.1 V) and the gate drives for the transistors in the panel (+15.3 V and -10.2 V). Only a few external capacitors are needed for the charge pumps. An efficient low dropout voltage regulator also ensures that the power efficiency is high and provides a low ripple 5.1 V output. This LDO can be shut down and an external LDO used to regulate the 5 V doubler output and drive the input to the charge pump section, which generates the +15.3 V and -10.2 V outputs if so required by the user.

The ADM8832 has an internal 100 kHz oscillator for use in scanning mode, but the part must be clocked by an external clock source in blanking (low current) mode. The internal oscillator is used to clock the charge pumps during scanning

FUNCTIONAL BLOCK DIAGRAM

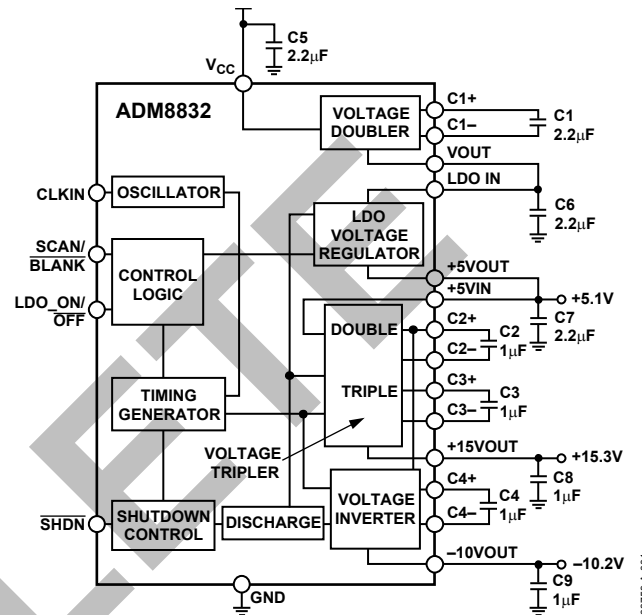


Figure 1.

mode where the current is highest. During blanking periods, the ADM8832 switches to an external, lower frequency clock. This allows the user to vary the frequency and maximize power efficiency during blanking periods. The tolerances on the output voltages are seamlessly maintained when switching from scanning mode to blanking mode or vice versa.

The ADM8832 power saving features include low power shutdown and reduced quiescent current consumption during the blanking periods. The 5.1 V output consumes the most power, so power efficiency is also maximized on this output with an oscillator enabling scheme (Green Idle™). This effectively senses the load current that is flowing and turns on the charge pump only when charge needs to be delivered to the 5 V pump doubler output.

The ADM8832 is fabricated using CMOS technology for minimal power consumption. The part is packaged in a 20-lead LFCSP (lead frame chip scale package).

Rev. B

[Document Feedback](#)

Information furnished by Analog Devices is believed to be accurate and reliable. However, no responsibility is assumed by Analog Devices for its use, nor for any infringements of patents or other rights of third parties that may result from its use. Specifications subject to change without notice. No license is granted by implication or otherwise under any patent or patent rights of Analog Devices. Trademarks and registered trademarks are the property of their respective owners.

One Technology Way, P.O. Box 9106, Norwood, MA 02062-9106, U.S.A.
Tel: 781.329.4700 ©2003–2017 Analog Devices, Inc. All rights reserved.
[Technical Support](#) www.analog.com

TABLE OF CONTENTS

Features	1	Pin Configuration and Function Descriptions.....	6
Applications.....	1	Typical Performance Characteristics	7
Functional Block Diagram	1	Theory of Operation	10
General Description	1	Scanning and Blanking.....	10
Revision History	2	Power Sequencing	10
Specifications.....	3	Transient Response	10
Timing Specifications	4	External Clock	10
Absolute Maximum Ratings.....	5	Outline Dimensions	11
Thermal Characteristics	5	Ordering Guide	11
ESD Caution.....	5		

REVISION HISTORY

8/2017—Rev. A to Rev. B

Changed CP-20 to CP-20-6.....	Throughout
Updated Outline Dimensions	11
Changes to Ordering Guide	11

4/2004—Rev. 0 to Rev. A

Updated Outline Dimensions	11
Changes to Ordering Guide	11

7/2003—Revision 0: Initial Version

SPECIFICATIONS

$V_{CC} = 2.6\text{ V to }3.6\text{ V}$, $T_A = -40^\circ\text{C to }+85^\circ\text{C}$, unless otherwise noted; $C_1, C_5, C_6, C_7 = 2.2\ \mu\text{F}$, $C_2, C_3, C_4, C_8, C_9 = 1\ \mu\text{F}$, $\text{CLKIN} = 1\ \text{kHz}$ in blanking mode.

Table 1.

Parameter	Min	Typ	Max	Unit	Test Conditions
INPUT VOLTAGE, V_{CC}	2.6		3.6	V	
SUPPLY CURRENT, I_{CC}		150	400	μA	Unloaded, Scanning Period
		70	140	μA	Unloaded, Blanking Period
			1	μA	Shutdown Mode, $T_A = 25^\circ\text{C}$
+5.1 V OUTPUT					
Output Voltage	5.0	5.1	5.2	V	$I_L = 10\ \mu\text{A to }8\ \text{mA}$
Output Current		4	5	mA	Scanning Period
		5	8	mA	Scanning Period, $V_{CC} > 2.7\text{ V}$
		50	200	μA	Blanking Period
Power Efficiency		80		%	$V_{CC} = 3\text{ V}$, $I_L = 5\ \text{mA}$ (Scanning)
		70		%	$V_{CC} = 3\text{ V}$, $I_L = 200\ \mu\text{A}$ (Blanking)
Output Ripple		10		mV p-p	8 mA Load
Transient Response		5		μs	I_L Stepped from $10\ \mu\text{A to }8\ \text{mA}$
+15.3 V OUTPUT					
Output Voltage	14.4	15.3	15.6	V	$I_L = 1\ \mu\text{A to }100\ \mu\text{A}$
Output Current		50	100	μA	Scanning Period
		1	10	μA	Blanking Period
Output Ripple		50		mV p-p	$I_L = 100\ \mu\text{A}$
-10.2 V OUTPUT					
Output Voltage	-10.4	-10.2	-9.6	V	$I_L = -1\ \mu\text{A to }-100\ \mu\text{A}$
Output Current	-100	-50		μA	Scanning Period
	-10	-1		μA	Blanking Period
Output Ripple		50		mV p-p	$I_L = -100\ \mu\text{A}$
POWER EFFICIENCY		90		%	Relative to 5.1 V Output, $I_L = 100\ \mu\text{A}$ (Scanning)
(+15.3 V and -10.2 V Outputs)		80		%	Relative to 5.1 V Output, $I_L = 10\ \mu\text{A}$ (Blanking)
CHARGE PUMP FREQUENCY	60	100	140	kHz	Scanning Period
CONTROL PINS					
$\overline{\text{SHDN}}$					
Input Voltage, V_{SHDN}			$0.3 V_{CC}$	V	$\overline{\text{SHDN}}$ Low = Shutdown Mode
			$0.7 V_{CC}$	V	$\overline{\text{SHDN}}$ High = Normal Mode
Digital Input Current			± 1	μA	
Digital Input Capacitance ¹			10	pF	
SCAN/BLANK					
Input Voltage			$0.3 V_{CC}$	V	Low = $\overline{\text{BLANK}}$ Period
			$0.7 V_{CC}$	V	High = SCAN Period
Digital Input Current			± 1	μA	
Digital Input Capacitance ¹			10	pF	
LDO_ON/OFF					
Input Voltage			$0.3 V_{CC}$	V	Low = External LDO
			$0.7 V_{CC}$	V	High = Internal LDO
Digital Input Current			± 1	μA	
Digital Input Capacitance ¹			10	pF	

Parameter	Min	Typ	Max	Unit	Test Conditions
CLKIN					
Minimum Frequency	0.9	1		kHz	Duty Cycle = 50%, Rise/Fall Times = 20 ns
Input Voltage					
V_{IL}			$0.3 V_{CC}$	V	
V_{IH}	$0.7 V_{CC}$			V	
Digital Input Current			± 1	μA	
Digital Input Capacitance ¹			10	pF	

¹ Guaranteed by design. Not 100% production tested.

TIMING SPECIFICATIONS

$V_{CC} = 2.6 V$ to $3.6 V$, $T_A = -40^\circ C$ to $+85^\circ C$, unless otherwise noted; C1, C5, C6, C7 = $2.2 \mu F$, C2, C3, C4, C8, C9 = $1 \mu F$, CLKIN = 1 kHz in blanking mode.

Table 2.

Parameter	Min	Typ	Max	Unit	Test Conditions/Comments
POWER-UP SEQUENCE					
+5 V Rise Time, t_{R5V}		300		μs	10% to 90%, Figure 17
+15 V Rise Time, t_{R15V}		8		ms	10% to 90%, Figure 17
-10 V Fall Time, t_{F10V}		12		ms	90% to 10%, Figure 17
Delay between -10 V Fall and +15 V, t_{DELAY}		3		ms	Figure 17
POWER-DOWN SEQUENCE					
+5 V Fall Time, t_{F5V}		75		ms	90% to 10%, Figure 17
+15 V Fall Time, t_{F15V}		40		ms	90% to 10%, Figure 17
-10 V Rise Time, t_{R10V}		40		ms	10% to 90%, Figure 17

ABSOLUTE MAXIMUM RATINGS

$T_A = 25^\circ\text{C}$, unless otherwise noted.

Table 3.

Parameter	Ratings
Supply Voltage	-0.3 V to +4.0 V
Input Voltage to Digital Inputs	-0.3 V to +4.0 V
Output Short Circuit Duration to GND	10 sec
Output Voltage	
+5.1 V Output	-0.3 V to +6 V
-10.2 V Output	-12 V to +0.3 V
+15.3 V Output	-0.3 V to +17 V
Operating Temperature Range	-40°C to +85°C
Power Dissipation (Derate 33 mW/°C above 25°C)	3.55 W
Storage Temperature Range	-65°C to +150°C
ESD	Class I

Stresses at or above those listed under Absolute Maximum Ratings may cause permanent damage to the product. This is a stress rating only; functional operation of the product at these or any other conditions above those indicated in the operational section of this specification is not implied. Operation beyond the maximum operating conditions for extended periods may affect product reliability.

THERMAL CHARACTERISTICS

20-Lead LFCSP:

$$\theta_{JA} = 31^\circ\text{C/W}$$

ESD CAUTION



ESD (electrostatic discharge) sensitive device.

Charged devices and circuit boards can discharge without detection. Although this product features patented or proprietary protection circuitry, damage may occur on devices subjected to high energy ESD. Therefore, proper ESD precautions should be taken to avoid performance degradation or loss of functionality.

PIN CONFIGURATION AND FUNCTION DESCRIPTIONS

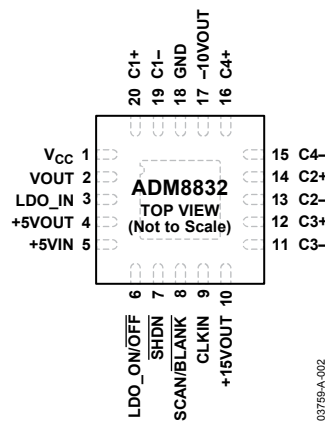


Figure 2. Pin Configuration

Table 4. Pin Function Descriptions

Pin No.	Mnemonic	Function
1	V _{CC}	Positive Supply Voltage Input. Connect this pin to 3 V supply with a 2.2 μ F decoupling capacitor.
2	VOUT	Voltage Doubler Output. This is derived by doubling the 3 V supply. A 2.2 μ F capacitor to ground is required on this pin.
3	LDO_IN	Voltage Regulator Input. The user has the option to bypass this circuit using the LDO_ON/ $\overline{\text{OFF}}$ pin.
4	+5VOUT	+5.1 V Output Pin. This is derived by doubling and regulating the +3 V supply. A 2.2 μ F capacitor to ground is required on this pin to stabilize the regulator.
5	+5VIN	+5.1 V Input Pin. This is the input to the voltage tripler and doubler inverter charge pump circuits.
6	LDO_ON/ $\overline{\text{OFF}}$	Control Logic Input. 3 V CMOS logic. A logic high selects the internal LDO for regulation of the 5 V voltage doubler output. A logic low isolates the internal LDO from the rest of the charge pump circuits. This allows the use of an external LDO to regulate the 5 V voltage doubler output. The output of this LDO is then fed back into the voltage tripler and doubler/inverter circuits of the ADM8832.
7	$\overline{\text{SHDN}}$	Digital Input. 3 V CMOS logic. Active low shutdown control. This pin shuts down the timing generator and enables the discharge circuit to dissipate the charge on the voltage outputs, thus driving them to 0 V.
8	SCAN/ $\overline{\text{BLANK}}$	Drive Mode Input. 3 V CMOS logic. A logic high places the part in scan (high current) mode, and the charge pump is driven by the internal oscillator. A logic low places the part in blanking (low current) mode, and the charge pump is driven by the (slower) external oscillator. This is a power saving feature on the ADM8832.
9	CLKIN	External CLOCK Input. During a blanking period, the oscillator circuit selects this pin to drive the charge pump circuit. This is at a lower frequency than the internal oscillator, resulting in lower quiescent current consumption, thus saving power.
10	+15VOUT	+15.3 V Output Pin. This is derived by tripling the +5.1 V regulated output. A 1 μ F capacitor is required on this pin.
11, 12	C3-, C3+	External capacitor C3 is connected between these pins. A 1 μ F capacitor is recommended.
13, 14	C2-, C2+	External capacitor C2 is connected between these pins. A 1 μ F capacitor is recommended.
15, 16	C4-, C4+	External capacitor C4 is connected between these pins. A 1 μ F capacitor is recommended.
17	-10VOUT	-10.2 V Output Pin. This is derived by doubling and inverting the +5.1 V regulated output. A 1 μ F capacitor is required on this pin.
18	GND	Device Ground Pin.
19, 20	C1-, C1+	External capacitor C1 is connected between these pins. A 2.2 μ F capacitor is recommended.

TYPICAL PERFORMANCE CHARACTERISTICS

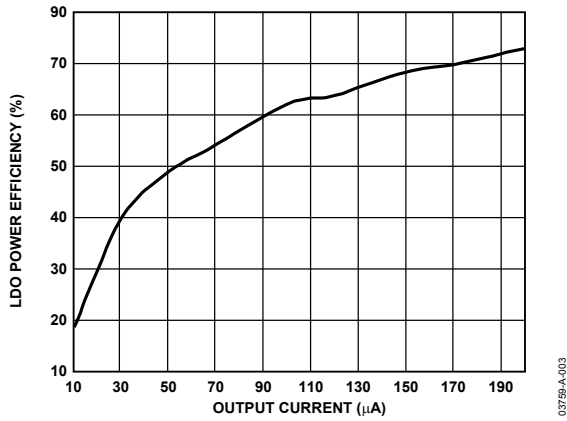


Figure 3. LDO Efficiency in Blanking Mode with $V_{CC} = 3 V$

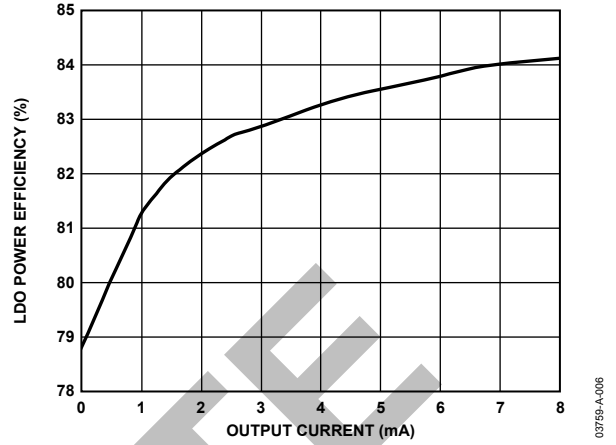


Figure 6. LDO Efficiency in Scanning Mode with $V_{CC} = 3 V$

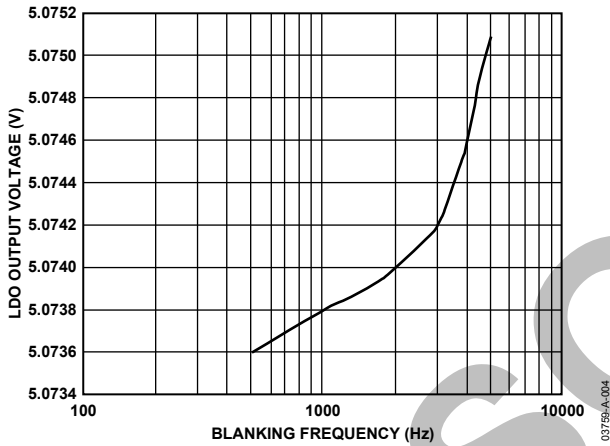


Figure 4. LDO Output Voltage (Unloaded) vs. Blanking Mode Frequency

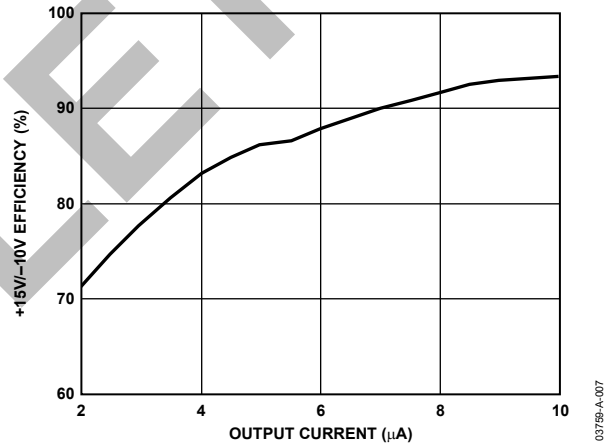


Figure 7. +15 V/-10 V Efficiency vs. Output Current in Blanking Mode, $V_{CC} = 3 V$

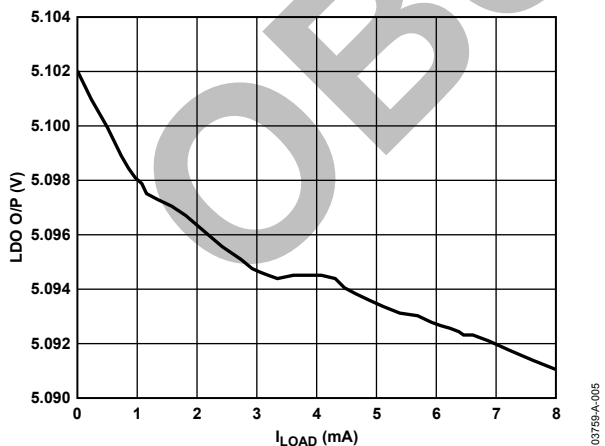


Figure 5. LDO O/P Voltage vs. Load Current in Scanning Mode, $V_{CC} = 3.3 V$

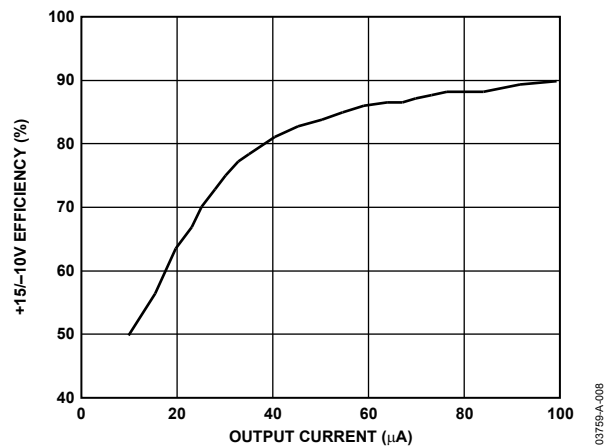


Figure 8. +15 V/-10 V Efficiency vs. Output Current in Scanning Mode, $V_{CC} = 3 V$

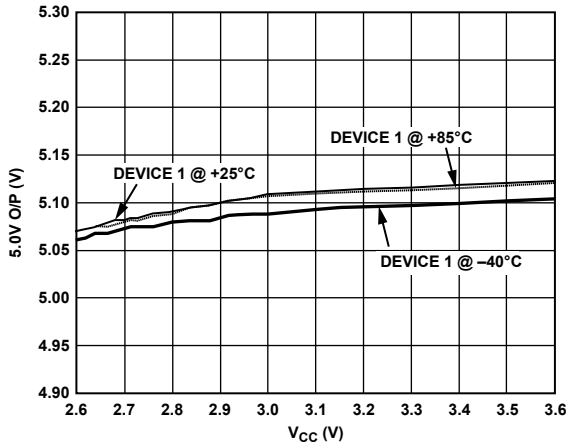


Figure 9. LDO Variation over Supply and Temperature

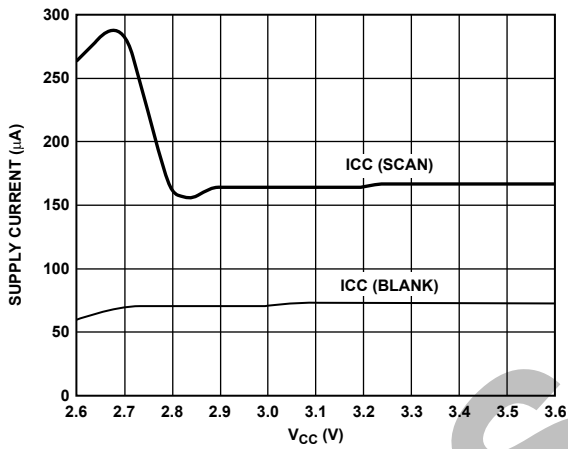


Figure 10. Supply Current vs. Voltage

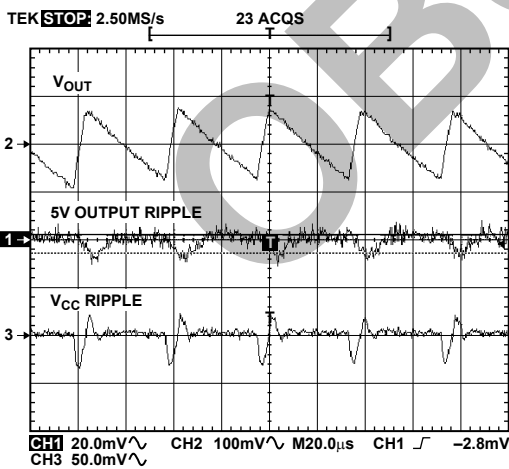


Figure 11. Output Ripple on LDO (5V Output)

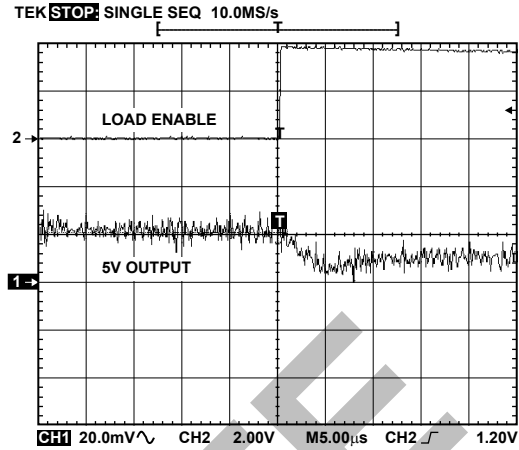


Figure 12. 5 V Output Transient Response for Max load Current

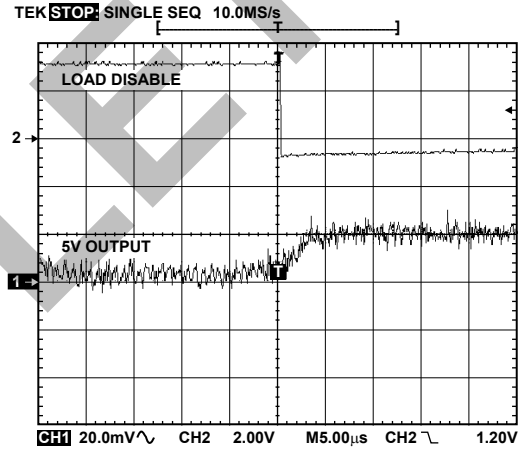


Figure 13. 5 V Output Transient Response, Load Disconnected

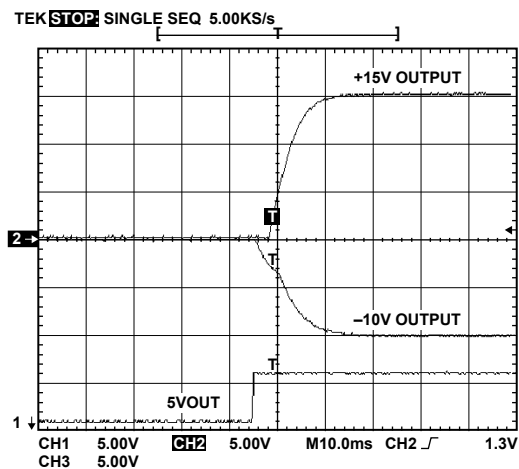


Figure 14. +15 V and -10 V Outputs at Power-Up

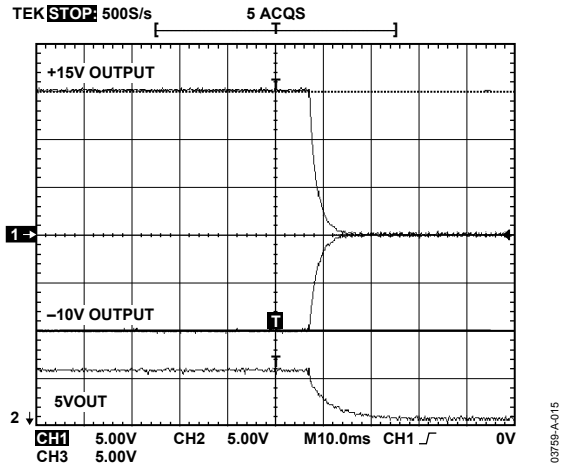


Figure 15. +15 V and -10 V Outputs at Power-Down (Unloaded)

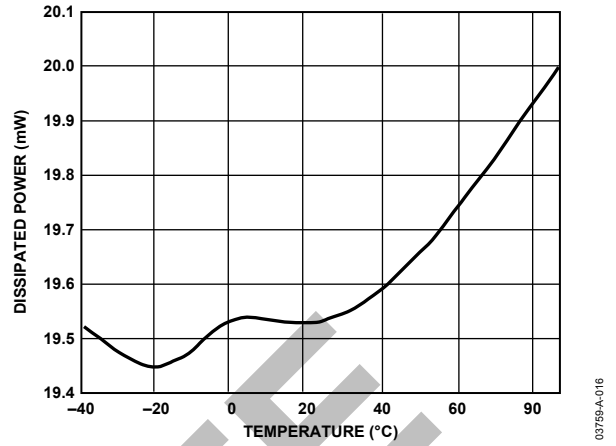


Figure 16. Power Dissipation over Temperature, $V_{CC} = 3.6$ V, Scanning Mode with All O/Ps at Maximum Load

OBSOLETE

THEORY OF OPERATION

SCANNING AND BLANKING

A TFT LCD panel is made up of a bank of capacitors, each representing a pixel in the display. These capacitors store different levels of charge, depending on the amount of luminescence required for a given pixel. When a picture is displayed on the panel, a scan of all the pixel capacitors is performed, placing different levels of charge on each in order to create the image. The process of updating the display like this is called scanning. Once scanned, an image is held by pixel capacitance, and the controller and source line drivers can be put into a low power mode. This low power mode is referred to as the blanking mode on the ADM8832. Over a finite period of time, this pixel charge will leak and the capacitors will need to be refreshed in order to maintain the image.

The ADM8832 uses scanning and blanking modes, as follows. When the TFT LCD panel is in scanning mode, a logic high on the SCAN/BLANK input places the device in high current power mode, providing extra power (extra current) to the LCD controller and the source line drivers. If the panel continues to be updated (as when a moving picture is being displayed), the ADM8832 can be continually operated in scanning mode. If the same image is kept on the panel, a logic low is applied to the SCAN/BLANK input, and the ADM8832 enters blanking (low current) mode. Depending on how often the image is updated, the ADM8832 can be operated with a variable SCAN/ BLANK duty cycle. This helps to maximize power efficiency and, therefore, extends the battery life.

POWER SEQUENCING

The gate drive supplies must be sequenced such that the -10 V supply is up before the +15 V supply for the TFT panel to power on correctly. The ADM8832 controls this sequence. When the device is turned on (a logic high on SHDN), the ADM8832 allows the -10 V output to ramp immediately, but holds off the +15 V output. It continues to do this until the negative output reaches -3 V. At this point, the positive output is enabled and allowed to ramp up to +15 V. This sequence is shown in Figure 17.

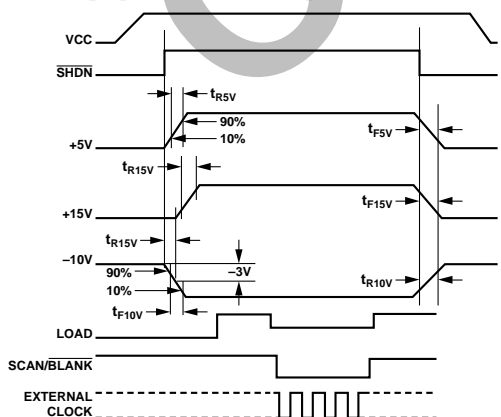


Figure 17. Power Sequence

TRANSIENT RESPONSE

The ADM8832 features extremely fast transient response, making it very suitable for fast image updates on TFT LCD panels. This means that even under changing load conditions there is still very effective regulation of the 5 V output. Figure 12 and Figure 13 show how the 5.1 V output responds when a maximum load is dynamically connected and disconnected. Note that the output settles within 5 μ s to less than 1% of the output level.

EXTERNAL CLOCK

The ADM8832 has an internal 100 kHz oscillator, but an external clock source can also be used to clock the part. This clock source must be applied to the CLKIN pin. Power is saved during blanking periods by disabling the internal oscillator and by switching to the lower frequency external clock source. To achieve optimum performance of the charge pump circuitry, it is important that the duty cycle of the external clock source is 50% and that the rise and fall times are less than 20 ns.

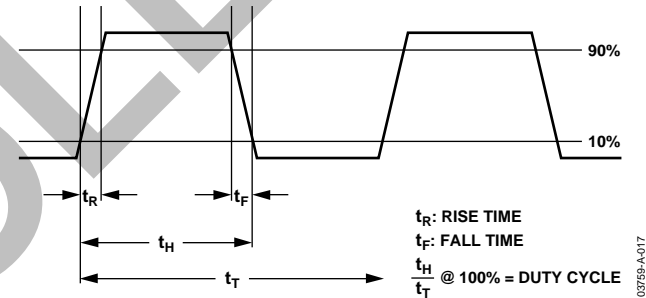


Figure 18. Duty Cycle of External Clock

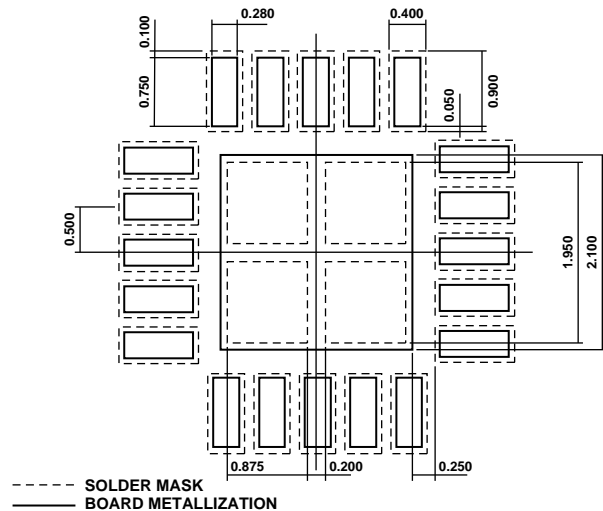
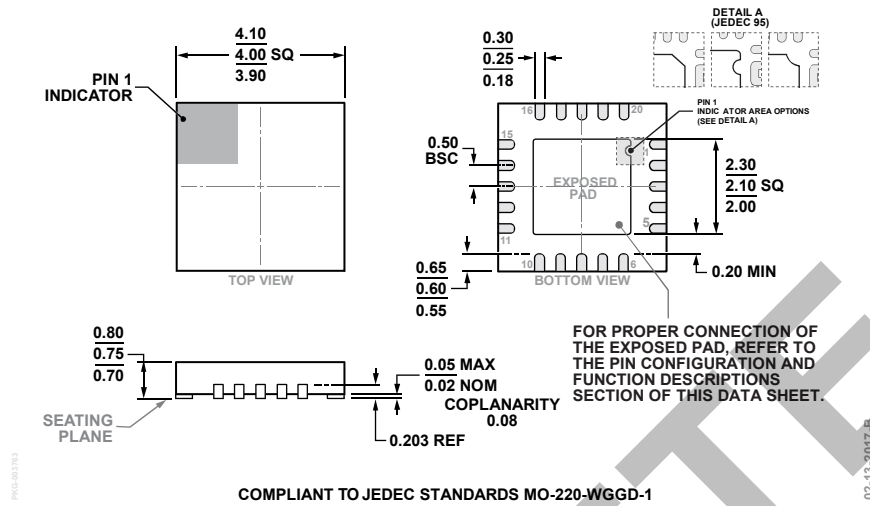


Figure 19. Suggested LFCSP 4 mm x 4 mm 20 Lead Land Pattern

OUTLINE DIMENSIONS



COMPLIANT TO JEDEC STANDARDS MO-220-WGGD-1

Figure 20. 20-Lead Lead Frame Chip Scale Package [LFCSP]
 4 mm × 4 mm Body and 0.75 mm Package Height
 (CP-20-6)
 Dimensions shown in millimeters

ORDERING GUIDE

Model ¹	Temperature Range	Package Description	Package Option
ADM8832ACPZ	-40°C to +85°C	20-Lead Frame Chip Scale Package [LFCSP]	CP-20-6
ADM8832ACPZ-REEL	-40°C to +85°C	20-Lead Frame Chip Scale Package [LFCSP]	CP-20-6
ADM8832ACPZ-REEL7	-40°C to +85°C	20-Lead Frame Chip Scale Package [LFCSP]	CP-20-6
ADM8832-EVALZ		Evaluation Board	

¹ Z = RoHS Compliant Part.

NOTES

OBSOLETE

X-ON Electronics

Largest Supplier of Electrical and Electronic Components

Click to view similar products for [LED Lighting Drivers](#) category:

Click to view products by [Analog Devices](#) manufacturer:

Other Similar products are found below :

[LV5235V-MPB-H](#) [MB39C602PNF-G-JNEFE1](#) [MIC2871YMK-T5](#) [AL1676-10BS7-13](#) [AL1676-20AS7-13](#) [AP5726WUG-7](#) [ICL8201](#)
[IS31BL3228B-UTLS2-TR](#) [IS31BL3506B-TTLS2-TR](#) [AL3157F-7](#) [AP5725FDCG-7](#) [LV52204MTTBG](#) [AP5725WUG-7](#) [STP4CMPQTR](#)
[NCL30086BDR2G](#) [CAT4004BHU2-GT3](#) [LV52207AXA-VH](#) [AP1694AS-13](#) [TLE4242EJ](#) [KTD2027EWE-TR](#) [AS3688](#) [IS31LT3172-GRLS4-TR](#) [TLD2311EL](#) [KTD2694EDQ-TR](#) [KTZ8864EJAA-TR](#) [IS32LT3174-GRLA3-TR](#) [MP2488DN-LF-Z](#) [NLM0010XTSA1](#) [AL1676-20BS7-13](#)
[ZXLD1370QESTTC](#) [MPQ7220GF-AEC1-P](#) [MPQ7220GR-AEC1-P](#) [MPQ4425BGJ-AEC1-P](#) [MPQ7220GF-AEC1-Z](#) [MPQ4425BGJ-AEC1-Z](#)
[IS31FL3737B-QFLS4-TR](#) [IS31FL3239-QFLS4-TR](#) [KTD2058EUAC-TR](#) [KTD2037EWE-TR](#) [DIO5662ST6](#) [KTD2026BEWE-TR](#)
[MAX20052CATC/V+](#) [MAX25606AUP/V+](#) [BD6586MUV-E2](#) [BD9206EFV-E2](#) [LYT4227E](#) [LYT6079C-TL](#) [MP3394SGF-P](#) [MP4689AGN-P](#)
[MPQ4425AGQB-AEC1-Z](#)