

FEATURES

- Low input voltage range: 1.4 V to 3.6 V
- Power switch: low $R_{DS(on)}$ of 60 m Ω at 3.6 V, with active discharge
- 4 normally open SPST signal switches: $R_{DS(on)}$ of 2 Ω at 1.8 V with active pull-down on one side
- 500 mA continuous operating current
- Built-in level shift for control logic that can be operated by 1.2 V logic
- Ultralow shutdown current: <0.7 μ A
- Ultrasmall 1.2 mm \times 1.6 mm \times 0.5 mm, 12-ball, 0.4 mm pitch WLCSP

APPLICATIONS

- Mobile phones
- SIM card disconnect switches
- Digital cameras and audio devices
- Portable and battery-powered equipment

FUNCTIONAL BLOCK DIAGRAM

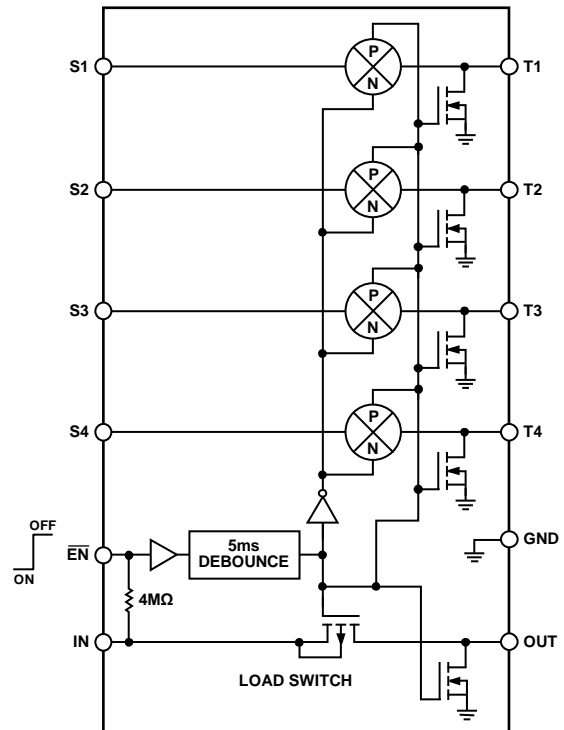


Figure 1.

GENERAL DESCRIPTION

The ADP1190 is an integrated high-side load switch with four signal switches, designed for operation from 1.4 V to 3.6 V. This load switch provides power domain isolation for extended power battery life. The load switch is a low on-resistance P-channel MOSFET that supports up to 500 mA of continuous load current and minimizes power loss. Integrated with the load switch are four normally open 2 Ω SPST signal switches.

Aside from its excellent operating performance, the ADP1190 occupies minimal printed circuit board (PCB) space with an area less than 1.92 mm² and a height of 0.50 mm. The ADP1190 is available in an ultrasmall 1.2 mm \times 1.6 mm, 12-ball, 0.4 mm pitch WLCSP.

TABLE OF CONTENTS

Features	1	Thermal Resistance	4
Applications	1	ESD Caution.....	4
Functional Block Diagram	1	Pin Configuration and Function Descriptions.....	5
General Description	1	Typical Performance Characteristics	6
Revision History	2	Theory of Operation	9
Specifications.....	3	Application Block Diagram.....	10
Timing Diagram	3	Outline Dimensions	11
Absolute Maximum Ratings.....	4	Ordering Guide	11
Thermal Data	4		

REVISION HISTORY

4/13—Revision 0: Initial Version

SPECIFICATIONS

$V_{IN} = 1.8\text{ V}$, $V_{EN} = V_{IN}$, $I_{LOAD} = 200\text{ mA}$, $T_A = 25^\circ\text{C}$, unless otherwise noted.

Table 1.

Parameter	Symbol	Test Conditions/Comments	Min	Typ	Max	Unit
INPUT VOLTAGE RANGE	V_{IN}	$T_J = -40^\circ\text{C}$ to $+85^\circ\text{C}$	1.4		3.6	V
EN INPUT						
$\overline{\text{EN}}$ Input Threshold	$V_{\text{EN_TH}}$	$1.4\text{ V} < V_{IN} < 1.8\text{ V}$, $T_J = -40^\circ\text{C}$ to $+85^\circ\text{C}$ (active low) $1.8\text{ V} \leq V_{IN} \leq 3.6\text{ V}$, $T_J = -40^\circ\text{C}$ to $+85^\circ\text{C}$ (active low)	0.35		1.2	V
Logic High Voltage	V_{IH}	$1.4\text{ V} \leq V_{IN} \leq 3.6\text{ V}$	0.45		1.2	V
Logic Low Voltage	V_{IL}	$1.4\text{ V} \leq V_{IN} \leq 3.6\text{ V}$ (chip enable)	1.2			V
$\overline{\text{EN}}$ Input Pull-Up Resistance	R_{EN}			4		M Ω
CURRENT						
Ground Current ¹	I_{GND}	OUT open, $T_J = -40^\circ\text{C}$ to $+85^\circ\text{C}$			2	μA
Shutdown Current	I_{OFF}	$\overline{\text{EN}} = V_{IN}$ or open		0.7		μA
Analog Switch Off Current	$I_{\text{A_OFF}}$	$\overline{\text{EN}} = V_{IN}$ or open, $T_J = -40^\circ\text{C}$ to $+85^\circ\text{C}$ Into S1, $\overline{\text{EN}} = V_{IN}$ or open			2	μA
LOAD SWITCH V_{IN} TO V_{OUT} RESISTANCE						
	$R_{\text{DS(ON)}}$	$V_{IN} = 3.6\text{ V}$, $I_{\text{LOAD}} = 200\text{ mA}$, $\overline{\text{EN}} = 1.5\text{ V}$		60		m Ω
		$V_{IN} = 2.5\text{ V}$, $I_{\text{LOAD}} = 200\text{ mA}$, $\overline{\text{EN}} = 1.5\text{ V}$		80		m Ω
		$V_{IN} = 1.8\text{ V}$, $I_{\text{LOAD}} = 200\text{ mA}$, $\overline{\text{EN}} = 1.5\text{ V}$, $T_J = -40^\circ\text{C}$ to $+85^\circ\text{C}$		100	170	m Ω
SIGNAL SWITCH RESISTANCE						
	$R_{\text{DS(ON)}}$	Maximum value of analog input sweep $V_{IN} = 3.6\text{ V}$, $I_{\text{LOAD}} = 10\text{ mA}$, $\overline{\text{EN}} = \text{GND}$ $V_{IN} = 2.5\text{ V}$, $I_{\text{LOAD}} = 10\text{ mA}$, $\overline{\text{EN}} = \text{GND}$ $V_{IN} = 1.8\text{ V}$, $I_{\text{LOAD}} = 10\text{ mA}$, $\overline{\text{EN}} = \text{GND}$		0.6		Ω
		$V_{IN} = 3.6\text{ V}$, $I_{\text{LOAD}} = 10\text{ mA}$, $\overline{\text{EN}} = \text{GND}$		1		Ω
		$V_{IN} = 1.8\text{ V}$, $I_{\text{LOAD}} = 10\text{ mA}$, $\overline{\text{EN}} = \text{GND}$		2.0		Ω
RDS Flatness		$V_{IN} = 3.6\text{ V}$, $I_{\text{LOAD}} = 10\text{ mA}$, $\overline{\text{EN}} = \text{GND}$ $V_{IN} = 1.8\text{ V}$, $I_{\text{LOAD}} = 10\text{ mA}$, $\overline{\text{EN}} = \text{GND}$		0.5		Ω
				1		Ω
OUTPUT DISCHARGE RESISTANCE	R_{DIS}	On load switch output and each analog switch output, T1, T2, T3, and T4		215		Ω
-3 dB BANDWIDTH	$\text{BW}_{3\text{dB}}$	$V_{IN} = 3.6\text{ V}$, $R_{\text{LOAD}} = 50\ \Omega$, $C_{\text{LOAD}} = 5\text{ pF}$, see Figure 23		50		MHz
V_{OUT} TIME						
Turn-On Delay Time	$t_{\text{ON_DLY}}$	$I_{\text{LOAD}} = 200\text{ mA}$, $\overline{\text{EN}} = \text{GND}$, $C_{\text{LOAD}} = 0.1\ \mu\text{F}$		5		ms
Turn-Off Delay Time	$t_{\text{OFF_DLY}}$	$V_{IN} = 3.6\text{ V}$, $I_{\text{LOAD}} = 200\text{ mA}$, $\overline{\text{EN}} = 1.5\text{ V}$, $C_{\text{LOAD}} = 0.1\ \mu\text{F}$		4		μs

¹ Ground current includes $\overline{\text{EN}}$ pull-down current.

TIMING DIAGRAM

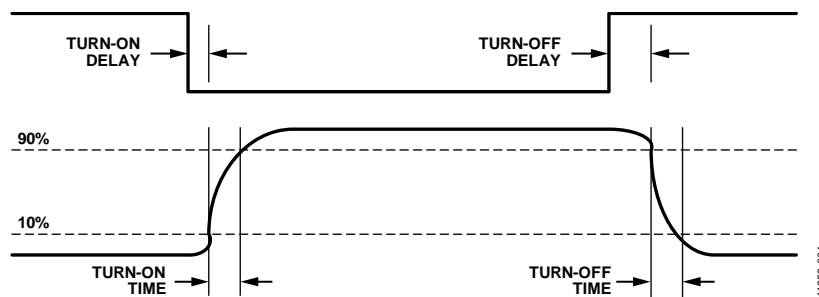


Figure 2. Timing Diagram

1125P-004

ABSOLUTE MAXIMUM RATINGS

Table 2.

Parameter	Rating
IN to GND	−0.3 V to +4.0 V
OUT to GND	−0.3 V to V_{IN}
Sx to GND	−0.3 V to +4.0 V
Tx to GND	−0.3 V to +4.0 V
\overline{EN} to GND	−0.3 V to +4.0 V
Continuous Load Switch Current	
$T_A = 25^\circ\text{C}$	±1 A
$T_A = 85^\circ\text{C}$	±500 mA
Continuous Diode Current	−50 mA
Storage Temperature Range	−65°C to +150°C
Junction Temperature	+150°C
Operating Junction Temperature Range	−40°C to +125°C
Operating Ambient Temperature Range	−40°C to +85°C
Soldering Conditions	JEDEC J-STD-020

Stresses above those listed under Absolute Maximum Ratings may cause permanent damage to the device. This is a stress rating only; functional operation of the device at these or any other conditions above those indicated in the operational section of this specification is not implied. Exposure to absolute maximum rating conditions for extended periods may affect device reliability.

THERMAL DATA

Absolute maximum ratings apply individually only, not in combination. The ADP1190 can be damaged when the junction temperature limits are exceeded. Monitoring ambient temperature does not guarantee that T_j is within the specified temperature limits. In applications with high power dissipation and poor thermal resistance, the maximum ambient temperature may need to be derated.

In applications with moderate power dissipation and low PCB thermal resistance, the maximum ambient temperature can exceed the maximum limit as long as the junction temperature is within specification limits. The junction temperature (T_j) of the device is dependent on the ambient temperature (T_A), the power dissipation of the device (P_D), and the junction-to-ambient thermal resistance of the package (θ_{JA}).

Maximum junction temperature (T_j) is calculated from the ambient temperature (T_A) and power dissipation (P_D) using the formula

$$T_j = T_A + (P_D \times \theta_{JA})$$

The junction-to-ambient thermal resistance (θ_{JA}) of the package is based on modeling and calculation using a 4-layer board. The junction-to-ambient thermal resistance is highly dependent on the application and board layout. In applications where high maximum power dissipation exists, close attention to thermal board design is required. The value of θ_{JA} may vary, depending on PCB material, layout, and environmental conditions. The specified value of θ_{JA} is based on a 4-layer, 4 in. × 3 in. circuit board. See JESD51-7 and JESD51-9 for detailed information on the board construction. For additional information, see the [AN-617 Application Note, Wafer Level Chip Scale Package](#), available at www.analog.com.

Ψ_{JB} is the junction-to-board thermal characterization parameter with units of $^\circ\text{C}/\text{W}$. Ψ_{JB} of the package is based on modeling and calculation using a 4-layer board. JESD51-12, *Guidelines for Reporting and Using Electronic Package Thermal Information*, states that thermal characterization parameters are not the same as thermal resistances. Ψ_{JB} measures the component power flowing through multiple thermal paths rather than through a single path as in thermal resistance, θ_{JB} . Therefore, Ψ_{JB} thermal paths include convection from the top of the package as well as radiation from the package, factors that make Ψ_{JB} more useful in real-world applications. Maximum junction temperature (T_j) is calculated from the board temperature (T_B) and power dissipation (P_D) using the formula

$$T_j = T_B + (P_D \times \Psi_{JB})$$

See JESD51-8 and JESD51-12 for more detailed information about Ψ_{JB} .

THERMAL RESISTANCE

θ_{JA} and Ψ_{JB} are specified for the worst-case conditions, that is, a device soldered in a circuit board for surface-mount packages.

Table 3. Thermal Resistance

Package Type	θ_{JA}	Ψ_{JB}	Unit
12-Ball WLCSFP	130	29.2	$^\circ\text{C}/\text{W}$

ESD CAUTION



ESD (electrostatic discharge) sensitive device. Charged devices and circuit boards can discharge without detection. Although this product features patented or proprietary protection circuitry, damage may occur on devices subjected to high energy ESD. Therefore, proper ESD precautions should be taken to avoid performance degradation or loss of functionality.

PIN CONFIGURATION AND FUNCTION DESCRIPTIONS

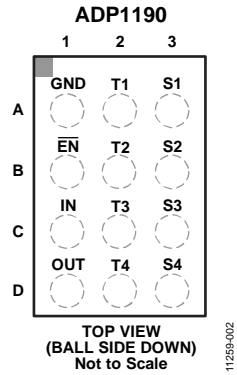


Figure 3. Pin Configuration

Table 4. Pin Function Descriptions

Pin No.	Mnemonic	Description
A1	GND	Ground.
B1	EN	Enable Input, Active Low.
C1	IN	Input Voltage.
D1	OUT	Load Switch Output Voltage.
A2	T1	Channel 1 Analog Switch. Connect to the SIM card socket (has active discharge).
B2	T2	Channel 2 Analog Switch. Connect to the SIM card socket (has active discharge).
C2	T3	Channel 3 Analog Switch. Connect to the SIM card socket (has active discharge).
D2	T4	Channel 4 Analog Switch. Connect to the SIM card socket (has active discharge).
A3	S1	Channel 1 Analog Switch. Connect to the microcontroller.
B3	S2	Channel 2 Analog Switch. Connect to the microcontroller.
C3	S3	Channel 3 Analog Switch. Connect to the microcontroller.
D3	S4	Channel 4 Analog Switch. Connect to the microcontroller.

TYPICAL PERFORMANCE CHARACTERISTICS

$V_{IN} = 1.8\text{ V}$, $V_{EN} = V_{IN}$, $C_{IN} = C_{OUT} = 1\ \mu\text{F}$, $T_A = 25^\circ\text{C}$, unless otherwise noted.

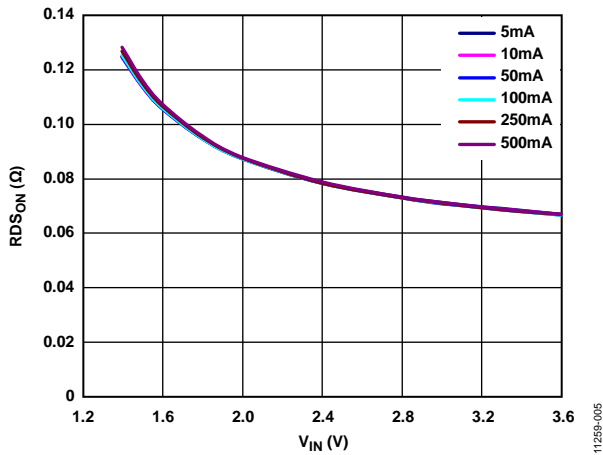


Figure 4. Load Switch $R_{DS_{ON}}$ vs. Input Voltage (V_{IN}), Different Load Currents

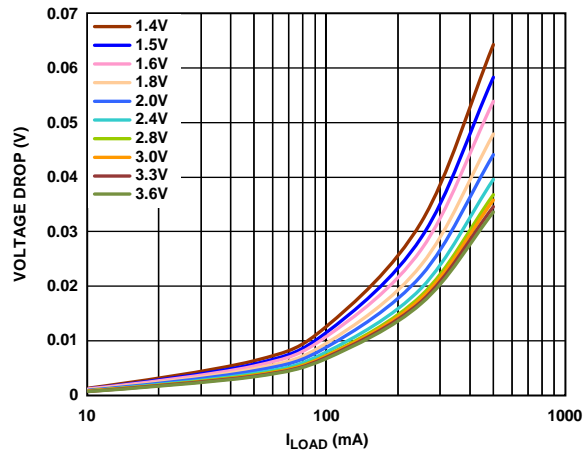


Figure 7. Load Switch Voltage Drop vs. Load Current, Different Input Voltages

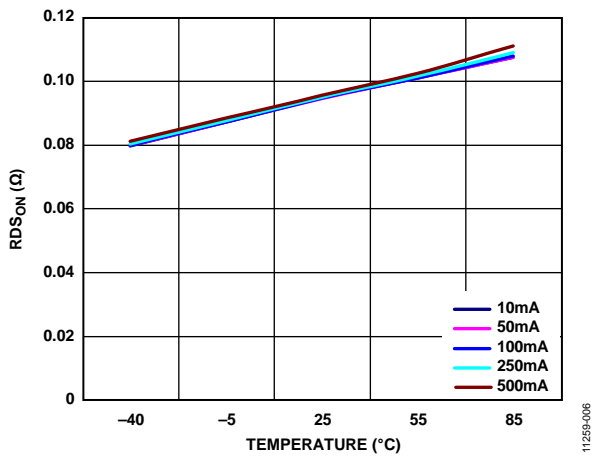


Figure 5. Load Switch $R_{DS_{ON}}$ vs. Temperature, Different Load Currents, $V_{IN} = 1.8\text{ V}$

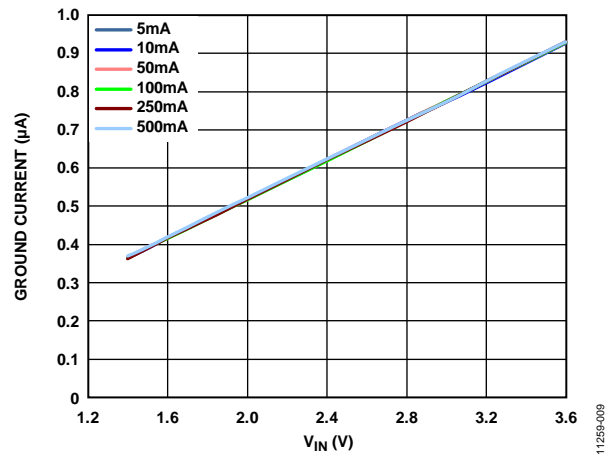


Figure 8. Ground Current vs. Input Voltage, Different Load Currents

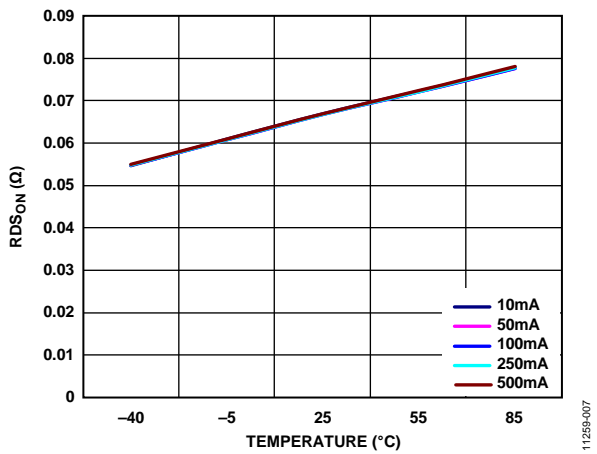


Figure 6. Load Switch $R_{DS_{ON}}$ vs. Temperature, Different Load Currents, $V_{IN} = 3.6\text{ V}$

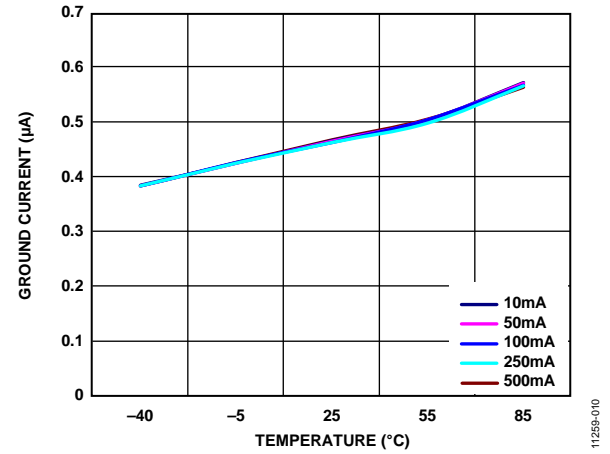


Figure 9. Ground Current vs. Temperature, Different Load Currents, $V_{IN} = 1.8\text{ V}$

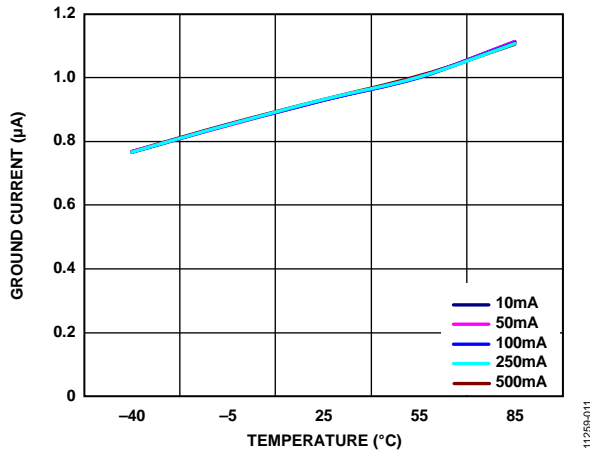


Figure 10. Ground Current vs. Temperature, Different Load Currents, $V_{IN} = 3.6 V$

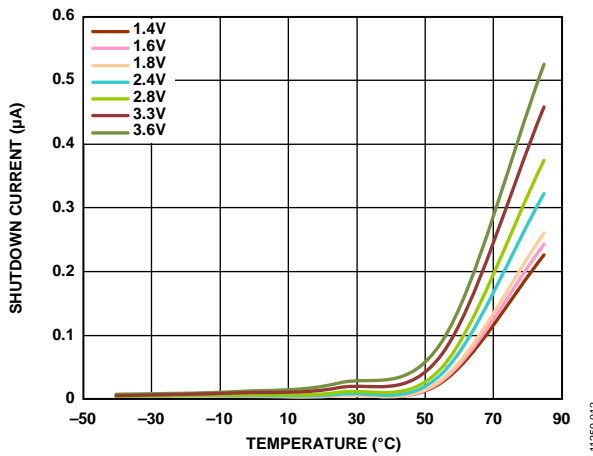


Figure 11. Shutdown Current vs. Temperature, Different Input Voltages

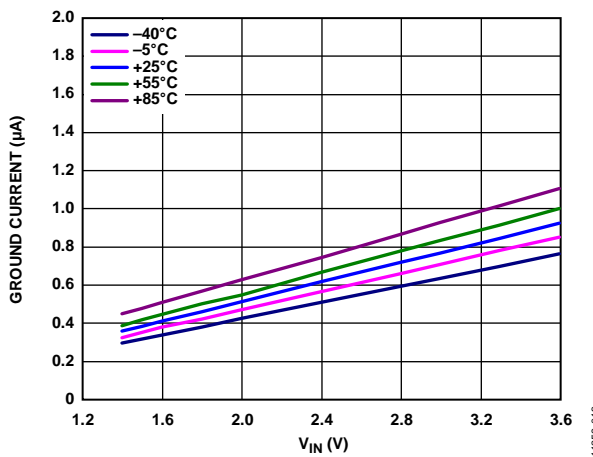


Figure 12. No Load Ground Current vs. Input Voltage and Temperature

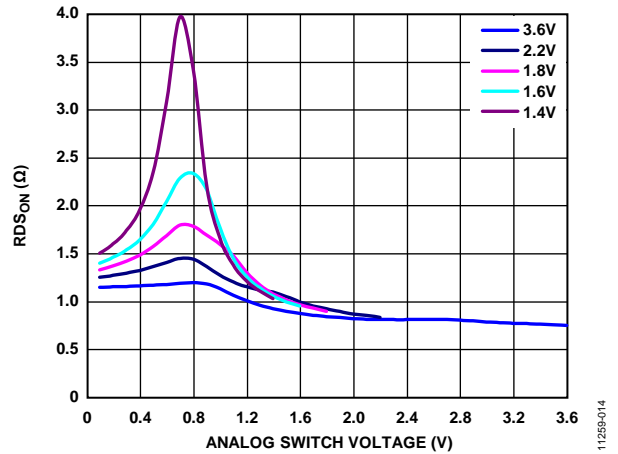


Figure 13. Signal Switch $R_{DS_{ON}}$ vs. Analog Switch Voltage

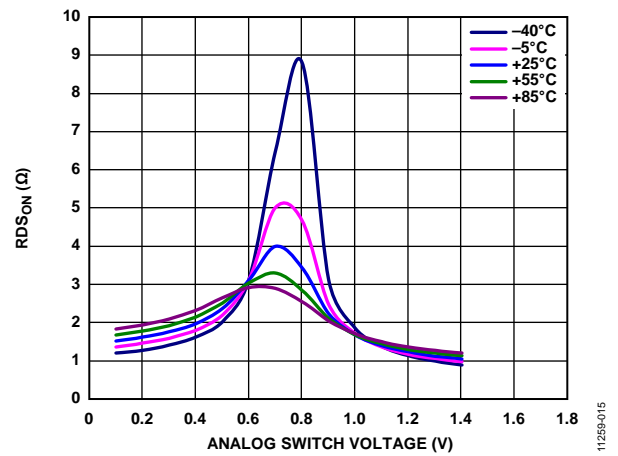


Figure 14. Signal Switch $R_{DS_{ON}}$ vs. Analog Switch Voltage and Temperature, $V_{IN} = 1.4 V$

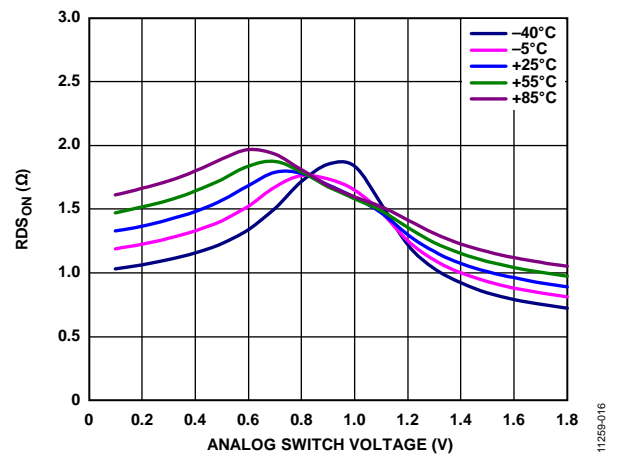


Figure 15. Signal Switch $R_{DS_{ON}}$ vs. Analog Switch Voltage and Temperature, $V_{IN} = 1.8 V$

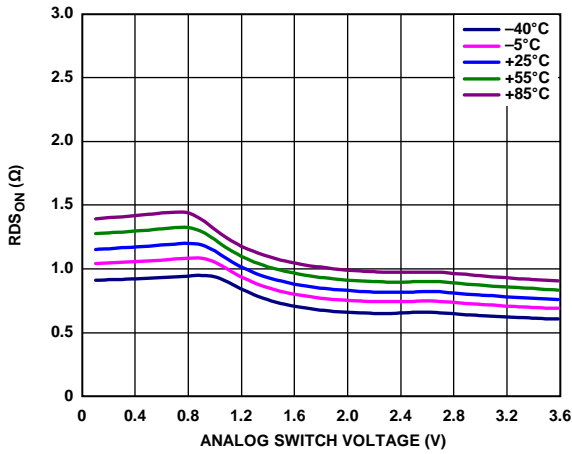


Figure 16. Signal Switch $R_{DS_{ON}}$ vs. Analog Switch Voltage and Temperature, $V_{IN} = 3.6 V$

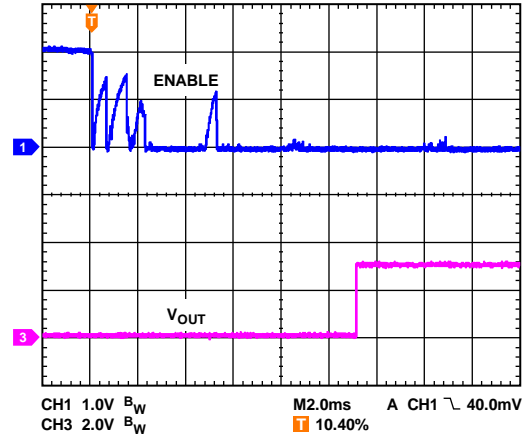


Figure 19. Enable Debounce Behavior, $V_{IN} = 1.8 V$

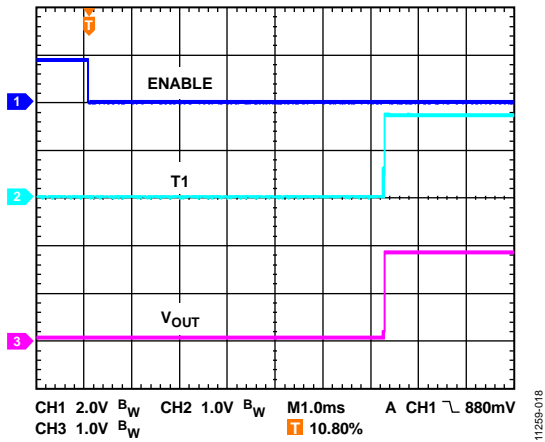


Figure 17. Typical Turn-On Delay Time, $V_{IN} = 1.8 V$, 50 mA Load

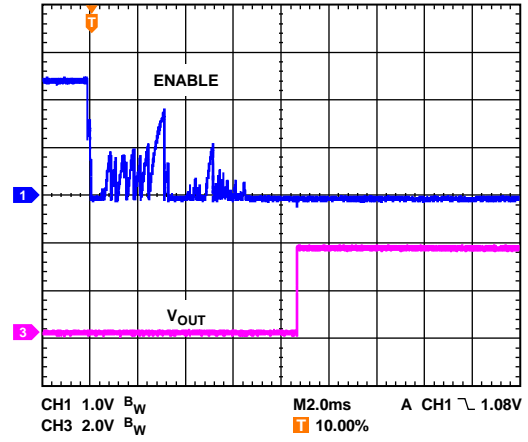


Figure 20. Enable Debounce Behavior, $V_{IN} = 3.6 V$

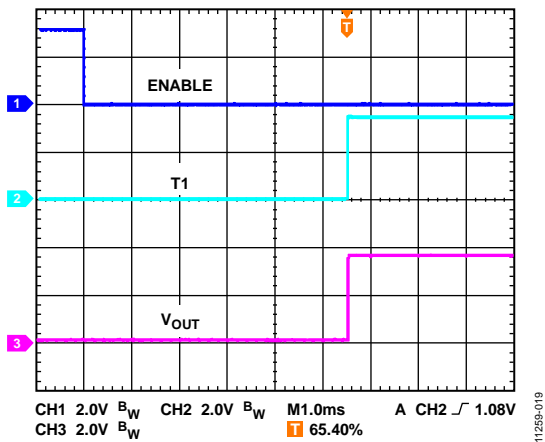


Figure 18. Typical Turn-On Delay Time, $V_{IN} = 3.6 V$, 100 mA Load

THEORY OF OPERATION

The **ADP1190** is a high-side load switch integrated with four signal switches. The load switch and signal switches are turned on by a low signal on the $\overline{\text{EN}}$ pin. A $4\text{ M}\Omega$ pull-up resistor on this pin allows it to be driven by an open-collector or mechanical switch. When the part is disabled, the T1 to T4 pins are actively pulled down with a nominal resistance of $215\ \Omega$. There is a 5 ms debounce counter on $\overline{\text{EN}}$ for use with a mechanical $\overline{\text{EN}}$ switch. That is, $\overline{\text{EN}}$ must be held low for 5 ms before the part is enabled. If $\overline{\text{EN}}$ transitions high before this timeout, the counter is reset and starts a new 5 ms count.

The signal path is controlled by a PMOS/NMOS transmission gate with an on resistance of $2\ \Omega$. Break-before-make logic control ensures that the active pull-down is off before the signal path is enabled.

In addition to these features, the **ADP1190** occupies minimal printed circuit board (PCB) space with an area less than 1.92 mm^2 and a height of 0.50 mm . The **ADP1190** is available in an ultrasmall $1.2\text{ mm} \times 1.6\text{ mm}$, 12-ball, 0.4 mm pitch WLCSP.

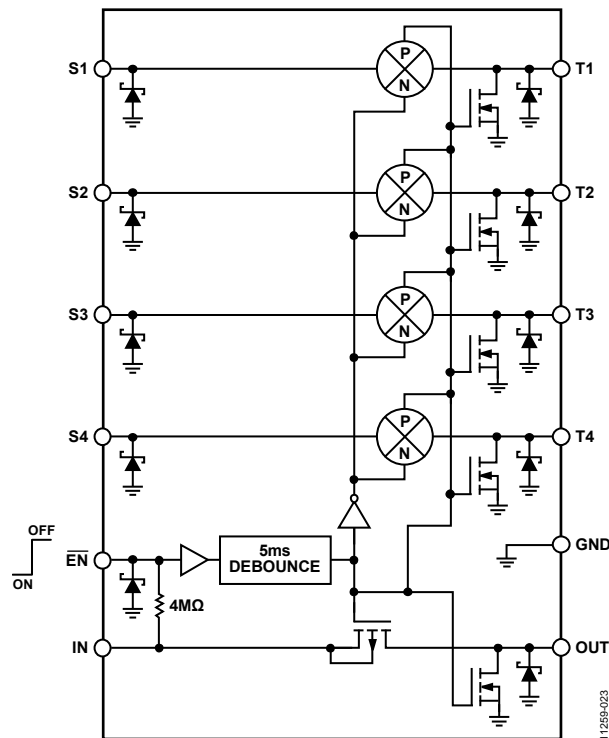


Figure 21. Block Diagram with ESD Protection Devices

APPLICATION BLOCK DIAGRAM

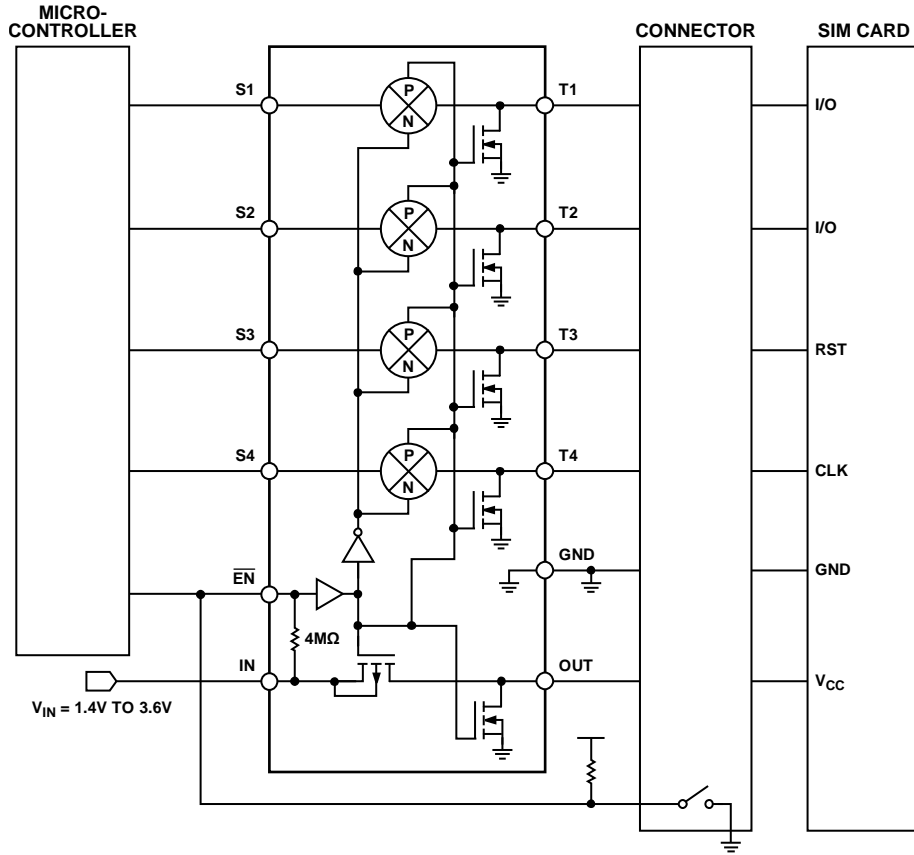


Figure 22. Typical Application

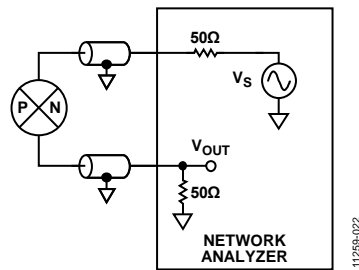
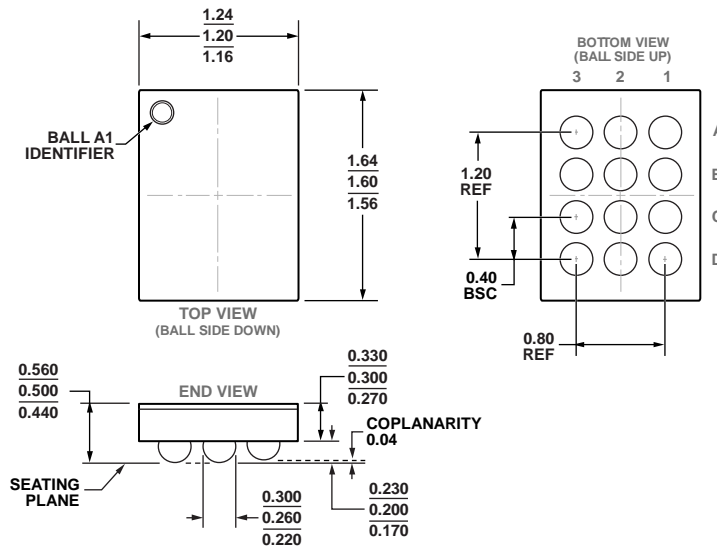


Figure 23. Bandwidth Measurement Setup

OUTLINE DIMENSIONS



02-22-2013-A

Figure 24. 12-Ball Wafer Level Chip Scale Package [WLCSP]
(CB-12-10)
Dimensions shown in millimeters

ORDERING GUIDE

Model ¹	Temperature Range	Package Description	Package Option	Branding
ADP1190ACBZ-R7	-40°C to +85°C	12-Ball Wafer Level Chip Scale Package [WLCSP]	CB-12-10	LNE

¹ Z = RoHS Compliant Part.

NOTES

X-ON Electronics

Largest Supplier of Electrical and Electronic Components

Click to view similar products for [Power Switch ICs - Power Distribution](#) *category:*

Click to view products by [Analog Devices](#) *manufacturer:*

Other Similar products are found below :

[TCK111G,LF\(S\)](#) [FPF1018](#) [DS1222](#) [TCK2065G,LF](#) [SZNCP3712ASNT3G](#) [MIC2033-05BYMT-T5](#) [MIC2033-12AYMT-T5](#) [MIC2033-05BYM6-T5](#) [SLG5NT1437VTR](#) [SZNCP3712ASNT1G](#) [DML1008LDS-7](#) [KTS1670EDA-TR](#) [KTS1640QGDV-TR](#) [KTS1641QGDV-TR](#) [NCV459MNWTBG](#) [FPF2260ATMX](#) [U6513A](#) [U6119S](#) [NCP45780IMN24RTWG](#) [MAX14919ATP+](#) [MC33882PEP](#) [TPS2021IDRQ1](#) [TPS2104DBVR](#) [MIC2098-1YMT-TR](#) [MIC94062YMT TR](#) [MP6231DN-LF](#) [MIC2075-2YM](#) [MIC94068YML-TR](#) [SIP32461DB-T2-GE1](#) [NCP335FCT2G](#) [TCK105G,LF\(S\)](#) [AP2151DSG-13](#) [MIC94094YC6-TR](#) [MIC94064YC6-TR](#) [MIC2505-1YM](#) [MIC94042YFL-TR](#) [MIC94041YFL-TR](#) [MIC2005-1.2YM6-TR](#) [TPS2032QDRQ1](#) [SIP32510DT-T1-GE3](#) [NCP333FCT2G](#) [NCP331SNT1G](#) [TPS2092DR](#) [TPS2063DR](#) [TPS2042P](#) [MIC2008YML-TR](#) [MIC2040-1YMM](#) [TPS22810DRVR](#) [MIC2043-2YTS](#) [MIC2041-2YMM](#)