

FEATURES

- 16-element FIFO for event recording
- 19 configurable I/Os allowing functions such as
 - Keypad decoding for matrix up to 11 × 8
 - Key press/release interrupts
 - Key pad lock/unlock
- GPIO functions
 - GPI with selectable interrupt level
 - 100 kΩ or 300 kΩ pull-up resistors
 - 300 kΩ pull-down resistors
 - GPO with push-pull or open drain
- Dual programmable logic blocks
- PWM generator
 - Internal PWM generation
 - External PWM with internal PWM AND function
- Clock divider
- Reset generators
- I²C interface with fast-mode plus (Fm+) support up to 1 MHz
- Open-drain interrupt output
- 24-lead LFCSP 3.5 mm × 3.5 mm
- 25-ball WLCSP 1.99 mm × 1.99 mm

APPLICATIONS

Devices requiring keypad entry and I/O expansion capabilities

GENERAL DESCRIPTION

The **ADP5589** is a 19 I/O port expander with built-in keypad matrix decoder, programmable logic, reset generator, and PWM generator. I/O expander ICs are used in portable devices (phones, remote controls, and cameras) and nonportable applications (healthcare, industrial, and instrumentation). I/O expanders can be used to increase the number of I/Os available to a processor or to reduce the number of I/Os required through interface connectors for front panel designs.

The **ADP5589**, which handles all key scanning and decoding, can flag the main processor via an interrupt line when new key events have occurred. In addition, GPI changes and logic changes can be tracked as events via the FIFO, eliminating the

FUNCTIONAL BLOCK DIAGRAM

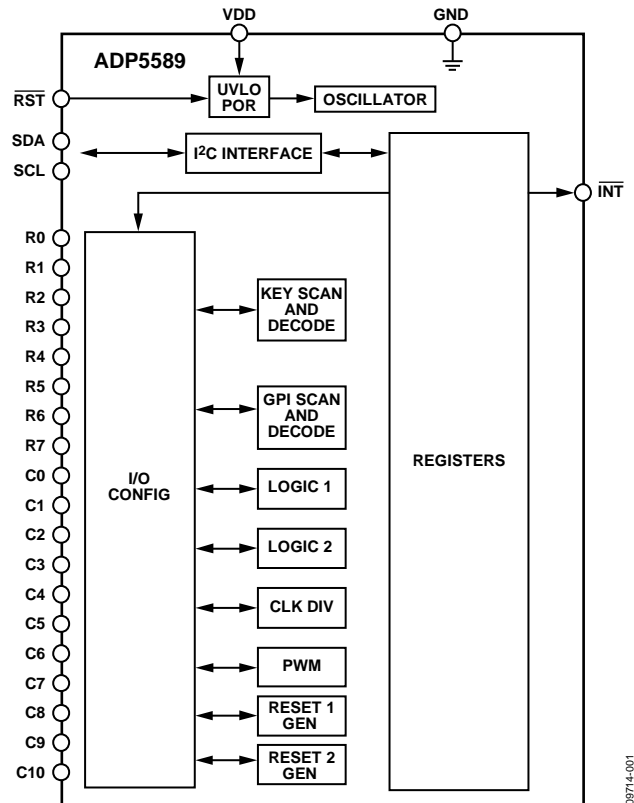


Figure 1.

need to monitor different registers for event changes. The **ADP5589** is equipped with a FIFO to store up to 16 events. Events can be read back by the processor via an I²C compatible interface.

The **ADP5589** frees up the main processor from having to monitor the keypad, thereby reducing power consumption and/or increasing processor bandwidth for performing other functions.

The programmable logic functions allow common logic requirements to be integrated as part of the GPIO expander, saving board area and cost.

TABLE OF CONTENTS

| | | | |
|--|---|--------------------------------------|----|
| Features | 1 | Event FIFO | 9 |
| Applications | 1 | Key Scan Control..... | 9 |
| Functional Block Diagram | 1 | GPO Output..... | 15 |
| General Description | 1 | Logic Blocks | 16 |
| Revision History | 2 | PWM Block..... | 17 |
| Specifications..... | 3 | Clock Divider Block..... | 17 |
| Absolute Maximum Ratings..... | 5 | Reset Blocks | 17 |
| Thermal Resistance | 5 | Interrupts..... | 18 |
| ESD Caution..... | 5 | Register Interface..... | 19 |
| Pin Configuration and Function Descriptions..... | 6 | Register Map | 21 |
| Quick Device Overview..... | 7 | Detailed Register Descriptions | 23 |
| Device Enable..... | 8 | Application Diagram..... | 48 |
| Device Overview | 8 | Outline Dimensions | 49 |
| Detailed Description | 9 | Ordering Guide | 49 |

REVISION HISTORY

1/13—Rev. A to Rev. B

Changes to Detailed Register Descriptions Section and Table 7

| | |
|--|----|
| Table 7 | 22 |
| Changes to Table 33 and Table 34 | 29 |
| Changes to Table 36..... | 30 |
| Changes to Table 37..... | 31 |
| Changes to Table 69..... | 41 |
| Changes to Table 84..... | 46 |
| Changes to Figure 31 | 48 |

8/11—Revision A: Initial Version

SPECIFICATIONS

VDD = 1.8 V to 3.3 V, T_A = -40°C to +85°C, unless otherwise noted.¹

Table 1.

| Parameter | Symbol | Test Conditions/Comments | Min | Typ | Max | Unit |
|---|---------------------------|--|-----------|------------|-----------|----------|
| SUPPLY VOLTAGE | | | | | | |
| VDD Input Voltage Range | VDD | | 1.65 | | 3.6 | V |
| Undervoltage Lockout Threshold | UVLO _{VDD} | UVLO active, VDD falling UVLO inactive, VDD rising | 1.2 | 1.3 1.4 | | V V |
| SUPPLY CURRENT | | | | | | |
| Standby Current | I _{STNBY} | VDD = 1.65 V VDD = 3.3 V | | 1 1 | 4 10 | μA μA |
| Operating Current (One Key Press) | I _{SCAN = 10 ms} | CORE_FREQ = 50 kHz, scan active, 300 kΩ pull-up, VDD = 1.65 V | | 30 | 40 | μA |
| | I _{SCAN = 10 ms} | CORE_FREQ = 50 kHz, scan active, 100 kΩ pull-up, VDD = 1.65 V | | 35 | 45 | μA |
| | I _{SCAN = 10 ms} | CORE_FREQ = 50 kHz, scan active, 300 kΩ pull-up, VDD = 3.3 V | | 75 | 85 | μA |
| | I _{SCAN = 10 ms} | CORE_FREQ = 50 kHz, scan active, 100 kΩ pull-up, VDD = 3.3 V | | 80 | 90 | μA |
| PULL-UP, PULL-DOWN RESISTANCE | | | | | | |
| Pull-Up Option 1 | | | 50 | 100 | 150 | kΩ |
| Pull-Up Option 2 | | | 150 | 300 | 450 | kΩ |
| Pull-Down | | | 150 | 300 | 450 | kΩ |
| INPUT LOGIC LEVEL (RST, SCL, SDA, R0, R1, R2, R3, R4, R5, R6, R7, C0, C1, C2, C3, C4, C5, C6, C7, C8, C9, C10) | | | | | | |
| Logic Low Input Voltage | V _{IL} | | | | 0.3 × VDD | V |
| Logic High Input Voltage | V _{IH} | | 0.7 × VDD | | | V |
| Input Leakage Current (Per Pin) | V _{F-Leak} | | | 0.1 | 1 | μA |
| PUSH-PULL OUTPUT LOGIC LEVEL (R0, R1, R2, R3, R4, R5, R6, R7, C0, C1, C2, C3, C4, C5, C6, C7, C8, C9, C10) | | | | | | |
| Logic Low Output Voltage ² | V _{OL} | Sink current = 10 mA | | | 0.4 | V |
| Logic Low Output Voltage ³ | V _{OL} | Sink current = 10 mA | | | 0.5 | V |
| Logic High Output Voltage | V _{OH} | Source current = 5 mA | 0.7 × VDD | | | V |
| Logic High Leakage Current (Per Pin) | V _{OH-Leak} | | | 0.1 | 1 | μA |
| OPEN-DRAIN OUTPUT LOGIC LEVEL (INT, SDA) | | | | | | |
| Logic Low Output Voltage (INT) | V _{OL} | I _{SINK} = 10 mA | | | 0.4 | V |
| Logic Low Output Voltage (SDA) | V _{OL} | I _{SINK} = 20 mA | | | 0.4 | V |
| Logic High Leakage Current (Per Pin) | V _{OH-Leak} | | | 0.1 | 1 | μA |
| Logic Propagation Delay | | | | 125 | 300 | ns |
| FF1 Hold Time ⁴ | | | | 0 | | ns |
| FF1 Setup Time ⁴ | | | | 175 | | ns |
| FF2 Hold Time ⁴ | | | | 0 | | ns |
| FF2 Setup Time ⁴ | | | | 175 | | ns |
| GPIO Debounce ⁴ | | | | | 70 | μs |
| Internal Oscillator Frequency ⁵ | OSC _{FREQ} | | 900 | 1000 | 1100 | kHz |
| I²C TIMING SPECIFICATIONS | | | | | | |
| Delay from UVLO/Reset Inactive to I ² C Access | | | | | 60 | μs |
| SCL Clock Frequency | f _{SCL} | | | | 1000 | kHz |
| SCL High Time | t _{HIGH} | | 0.26 | | | μs |
| SCL Low Time | t _{LOW} | | 0.5 | | | μs |
| Data Setup Time | t _{SU; DAT} | | 50 | | | ns |
| Data Hold Time | t _{HD; DAT} | | 0 | | | μs |
| Setup Time for Repeated Start | t _{SU; STA} | | 0.26 | | | μs |

| Parameter | Symbol | Test Conditions/Comments | Min | Typ | Max | Unit |
|--|---------------|--------------------------|------|-----|------|---------|
| Hold Time for Start/Repeated Start | $t_{HD; STA}$ | | 0.26 | | | μs |
| Bus Free Time for Stop and Start Condition | t_{BUF} | | 0.5 | | | μs |
| Setup Time for Stop Condition | $t_{SU; STO}$ | | 0.26 | | | μs |
| Data Valid Time | $t_{VD; DAT}$ | | | | 0.45 | μs |
| Data Valid Acknowledge | $t_{VD; ACK}$ | | | | 0.45 | μs |
| Rise Time for SCL and SDA | t_R | | | | 120 | ns |
| Fall Time for SCL and SDA | t_F | | | | 120 | ns |
| Pulse Width of Suppressed Spike | t_{SP} | | 0 | | 50 | ns |
| Capacitive Load for Each Bus Line | C_B^6 | | | | 550 | pF |

¹ All limits at temperature extremes are guaranteed via correlation using standard statistical quality control (SQC). Typical values are at $T_A = 25^\circ C$, $V_{DD} = 1.8 V$.

² Maximum of five GPIOs active simultaneously.

³ All GPIOs active simultaneously.

⁴ Guaranteed by design.

⁵ All timers are referenced from the base oscillator and have the same $\pm 10\%$ accuracy.

⁶ C_B is the total capacitance of one bus line in picofarads.

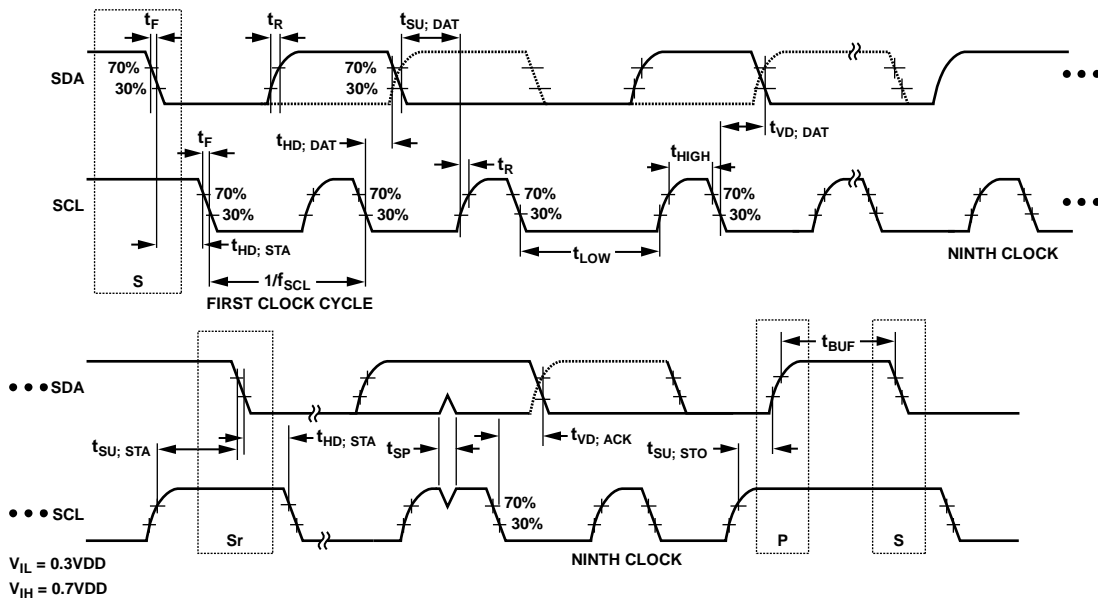


Figure 2. I²C Interface Timing Diagram

09714-002

ABSOLUTE MAXIMUM RATINGS

Table 2.

| Parameter | Rating |
|---|-----------------------------|
| VDD to Ground | −0.3 V to 4 V |
| SCL, SDA, $\overline{\text{RST}}$, $\overline{\text{INT}}$, R0, R1, R2, R3, R4, R5, R6, R7, C0, C1, C2, C3, C4, C5, C6, C7, C8, C9, C10 to Ground | −0.3 V to (VDD + 0.3 V) |
| Operating Ambient Temperature Range | −40°C to +85°C ¹ |
| Operating Junction Temperature Range | −40°C to +125°C |
| Storage Temperature Range | −65°C to +150°C |
| Soldering Conditions | JEDEC J-STD-020 |

¹ In applications where high power dissipation and poor thermal resistance are present, the maximum ambient temperature may have to be derated. Maximum ambient temperature ($T_{A(\text{MAX})}$) is dependent on the maximum operating junction temperature ($T_{J(\text{MAXOP})} = 125^\circ\text{C}$), the maximum power dissipation of the device ($P_{D(\text{MAX})}$), and the junction-to-ambient thermal resistance of the part/package in the application (θ_{JA}), using the following equation: $T_{A(\text{MAX})} = T_{J(\text{MAXOP})} - (\theta_{JA} \times P_{D(\text{MAX})})$.

Stresses above those listed under Absolute Maximum Ratings may cause permanent damage to the device. This is a stress rating only; functional operation of the device at these or any other conditions above those indicated in the operational section of this specification is not implied. Exposure to absolute maximum rating conditions for extended periods may affect device reliability.

Absolute maximum ratings apply individually only, not in combination. Unless otherwise specified, all other voltages are referenced to ground.

THERMAL RESISTANCE

θ_{JA} is specified for the worst-case conditions, that is, a device soldered in a circuit board for surface-mount packages.

Table 3.

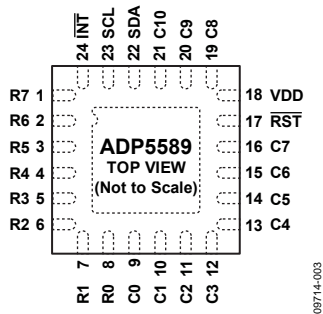
| Thermal Resistance | θ_{JA} | Unit |
|---------------------------|---------------|------|
| 24-Lead LFCSP | 43.83 | C/W |
| Maximum Power Dissipation | 120 | mW |
| 25-Ball WLCSP | 43 | C/W |
| Maximum Power Dissipation | 120 | mW |

ESD CAUTION



ESD (electrostatic discharge) sensitive device. Charged devices and circuit boards can discharge without detection. Although this product features patented or proprietary protection circuitry, damage may occur on devices subjected to high energy ESD. Therefore, proper ESD precautions should be taken to avoid performance degradation or loss of functionality.

PIN CONFIGURATION AND FUNCTION DESCRIPTIONS



NOTES
1. THE EXPOSED PAD MUST BE CONNECTED TO GROUND.

Figure 3. LFCSP Pin Configuration

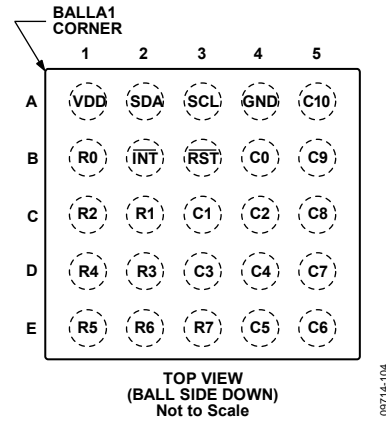


Figure 4. WLCSP Pin Configuration

Table 4. Pin Function Descriptions

| Pin No. (LFCSP) | Pin No. (WLCSP) | Mnemonic | Description |
|-----------------|-----------------|----------|--|
| 1 | E3 | R7 | GPIO 8. This pin functions as Row 7 if used as keypad. |
| 2 | E2 | R6 | GPIO 7. This pin functions as Row 6 if used as keypad. |
| 3 | E1 | R5 | GPIO 6. This pin functions as Row 5 if used as keypad. |
| 4 | D1 | R4 | GPIO 5 (GPIO alternate function: RESET1). This pin functions as Row 4 if used as keypad. |
| 5 | D2 | R3 | GPIO 4 (GPIO alternate function: LC1, PWM_OUT, or CLK_OUT). This pin functions as Row 3 if used as keypad. |
| 6 | C1 | R2 | GPIO 3 (GPIO alternate function: LB1). This pin functions as Row 2 if used as keypad. |
| 7 | C2 | R1 | GPIO 2 (GPIO alternate function: LA1). This pin functions as Row 1 if used as keypad. |
| 8 | B1 | R0 | GPIO 1 (GPIO alternate function: LY1). This pin functions as Row 0 if used as keypad. |
| 9 | B4 | C0 | GPIO 9. This pin functions as Column 0 if used as keypad. |
| 10 | C3 | C1 | GPIO 10. This pin functions as Column 1 if used as keypad. |
| 11 | C4 | C2 | GPIO 11. This pin functions as Column 2 if used as keypad. |
| 12 | D3 | C3 | GPIO 12. This pin functions as Column 3 if used as keypad. |
| 13 | D4 | C4 | GPIO 13 (GPIO alternate function: RESET2). This pin functions as Column 4 if used as keypad. |
| 14 | E4 | C5 | GPIO 14. This pin functions as Column 5 if used as keypad. |
| 15 | E5 | C6 | GPIO 15 (GPIO alternate function: LC2, PWM_IN, or CLK_IN). This pin functions as Column 6 if used as keypad. |
| 16 | D5 | C7 | GPIO 16 (GPIO alternate function: LB2). This pin functions as Column 7 if used as keypad. |
| 17 | B3 | RST | Input Reset Signal. |
| 18 | A1 | VDD | Supply Voltage Input. |
| 19 | C5 | C8 | GPIO 17 (GPIO alternate function: LA2). This pin functions as Column 8 if used as keypad. |
| 20 | B5 | C9 | GPIO 18 (GPIO alternate function: LY2). This pin functions as Column 9 if used as keypad. |
| 21 | A5 | C10 | GPIO 19. This pin functions as Column 10 if used as keypad. |
| 22 | A2 | SDA | I ² C Data Input/Output. |
| 23 | A3 | SCL | I ² C Clock Input. |
| 24 | B2 | INT | Open-Drain Interrupt Output. |
| EP (pad) | A4 | GND | Ground. The exposed pad of the LFCSP package must be connected to ground. |

QUICK DEVICE OVERVIEW

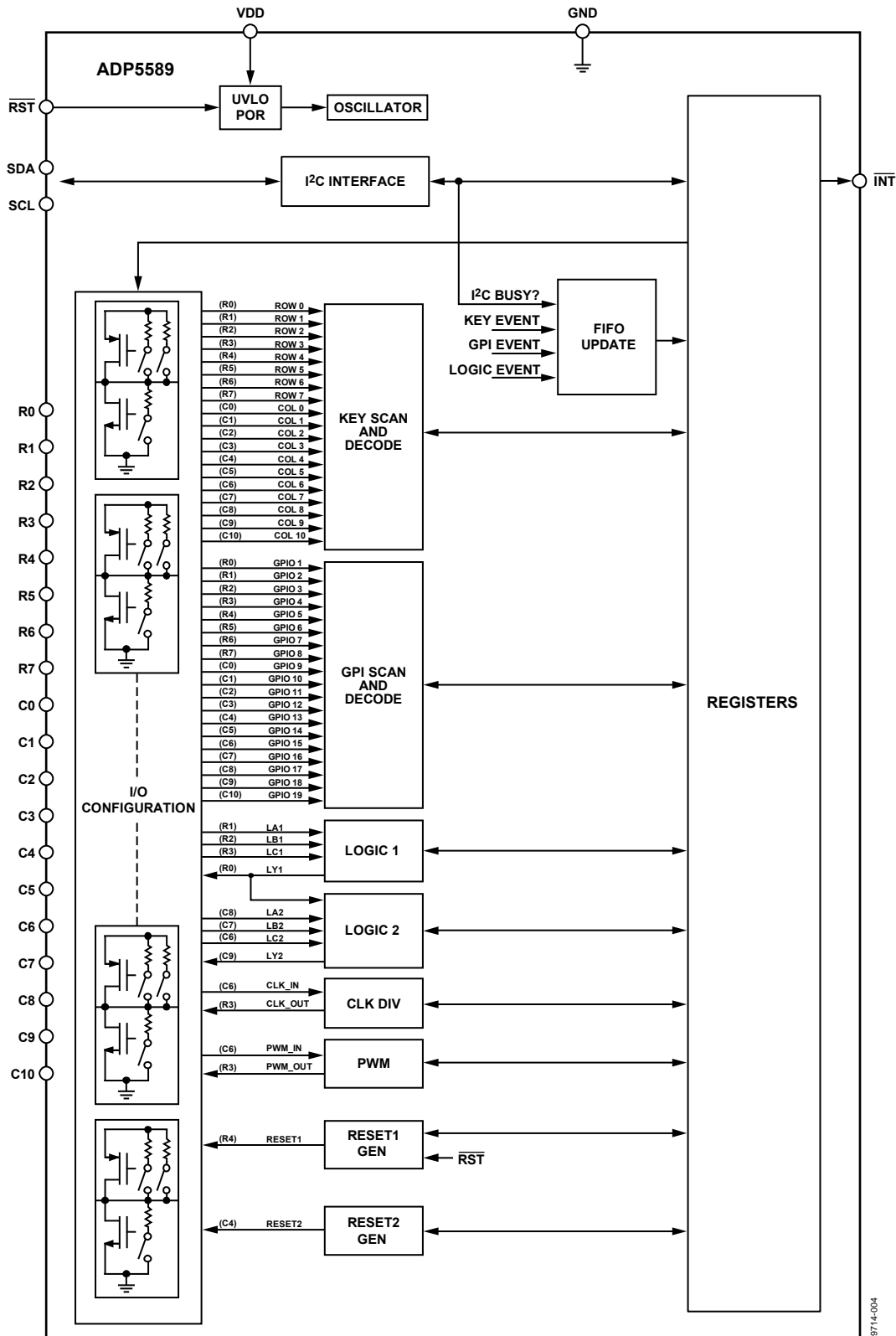


Figure 5. Internal Block Diagram

09714-004

DEVICE ENABLE

When sufficient voltage is applied to VDD and the $\overline{\text{RST}}$ pin is driven with a logic high level, the ADP5589 starts up in standby mode with all settings at default. The user can configure the device via the I²C interface. When the $\overline{\text{RST}}$ pin is low, the ADP5589 enters a reset state and all settings return to default. The $\overline{\text{RST}}$ pin features a debounce filter.

DEVICE OVERVIEW

The ADP5589 contains 19 multiconfigurable input/output pins. Each pin can be programmed to enable the device to carry out its various functions, as follows:

- Keypad matrix decoding (11-column by 8-row matrix maximum).
- General-purpose I/O expansion (up to 19 inputs/outputs).
- PWM generation.
- Clock division of externally supplied source.
- Dual logic function building blocks (up to three inputs, one output).
- Two reset generators.

All 19 input/output pins have an I/O structure, as shown in Figure 6.

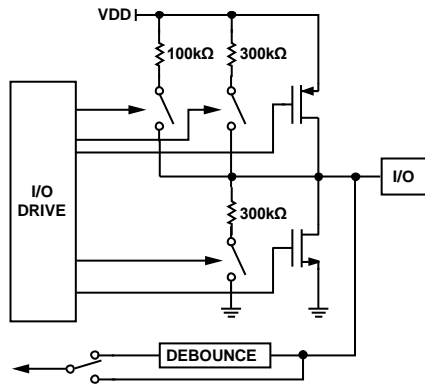


Figure 6. I/O Structure

09714-005

Each I/O can be pulled up with a 100 kΩ or 300 kΩ resistor or pulled down with a 300 kΩ resistor. For logic output drive, each I/O has a 5 mA PMOS source and a 10 mA NMOS sink for push-pull type output. For open-drain output situations, the 5 mA PMOS source is not enabled. For logic input applications, each I/O can be sampled directly or, alternatively, sampled through a debounce filter.

The I/O structure shown in Figure 6 allows for all GPI and GPO functions, as well as PWM and clock divide functions. For key matrix scan and decode, the scanning circuit uses the 100 kΩ or 300 kΩ resistor for pulling up keypad row pins and the 10 mA NMOS sinks for grounding keypad column pins (see the Key Scan Control section for details about key decoding).

Configuration of the device is carried out by programming an array of internal registers via the I²C interface. Feedback of device status and pending interrupts can be flagged to an external processor via the INT pin.

The ADP5589 is offered with three feature sets. Table 5 lists the options that are available for each model of the ADP5589.

Table 5. Available Options

| Models | Description |
|--|---|
| ADP5589ACPZ-00-R7 ADP5589ACBZ-00-R7 | All GPIOs pulled up (default option) |
| ADP5589ACPZ-01-R7 ADP5589ACBZ-01-R7 | Reset pass-through ¹ |
| ADP5589ACPZ-02-R7 ADP5589ACBZ-02-R7 | Pull-down on special function pins ² |

¹ Reset pass-through implies that the RESET1 output (R4) follows the logic level of the reset input pin, $\overline{\text{RST}}$, after the oscillator has been enabled.

² Special function pins are defined as R0 (Row 0), R3 (Row 3), R4 (Row 4), C4 (Column 4), C6 (Column 6), and C9 (Column 9).

DETAILED DESCRIPTION

EVENT FIFO

It is important to understand the function of the event FIFO. The ADP5589 features an event FIFO that can record as many as 16 events. By default, the FIFO primarily records key events, such as key press and key release. However, it is possible to configure the general-purpose input (GPI) and logic activity to generate event information on the FIFO as well. An event count, EC[4:0], is composed of five bits and works in tandem with the FIFO so that the user knows how much of the FIFO must be read back at any given time.

The FIFO is composed of 16 eight-bit sections that the user accesses by reading the FIFO_x registers. The actual FIFO is not in user accessible registers until a read occurs. The FIFO can be thought of as a “first in, first out” buffer used to fill Register 0x03 to Register 0x12.

The event FIFO is made up of 16 eight-bit registers. In each register, Bits[6:0] hold the event identifier, and Bit 7 holds the event state. With seven bits, 127 different events can be identified. See Table 11 for event decoding.

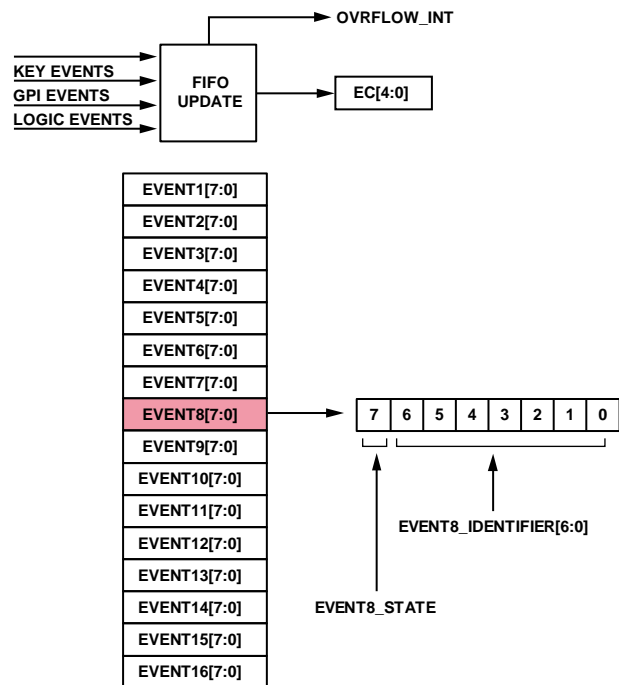


Figure 7. Breakdown of Eventx[7:0] Bits

When events are available on the FIFO, the user should first read back the event count, EC[4:0], to determine how many events must be read back. Events can be read from the top of the FIFO only. When an event is read back, all remaining events in the FIFO are shifted up one location, and the EC[4:0] count is decremented.

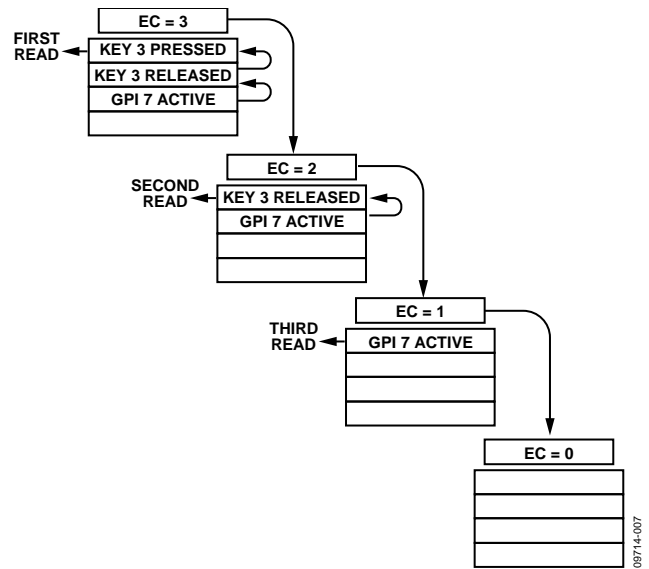


Figure 8. FIFO Operation

The FIFO registers (0x03 to 0x12) always point to the top of the FIFO (that is, the location of EVENT1[7:0]). If the user tries to read back from any location in a FIFO, data is always obtained from the top of that FIFO. This ensures that events can only be read back in the order in which they occurred, thus ensuring the integrity of the FIFO system.

Some of the onboard functions of ADP5589 can be programmed to generate events on the FIFO. A FIFO update control block manages updates to the FIFO. If an I²C transaction is accessing any of the FIFO address locations, updates are paused until the I²C transaction has completed.

A FIFO overflow event occurs when more than 16 events are generated prior to an external processor reading a FIFO and clearing it.

If an overflow condition occurs, the overflow status bit is set. An interrupt is generated if overflow interrupt is enabled, signaling to the processor that more than 16 events have occurred.

KEY SCAN CONTROL

General

The 19 input/output pins can be configured to decode a keypad matrix up to a maximum size of 88 switches (11 × 8 matrix). Smaller matrices can also be configured, freeing up the unused row and column pins for other I/O functions.

The R0 through R7 I/O pins comprise the rows of the keypad matrix. The C0 through C10 I/O pins comprise the columns of the keypad matrix. Pins used as rows are pulled up via the internal 300 kΩ (or 100 kΩ) resistors. Pins used as columns are driven low via the internal NMOS current sink.

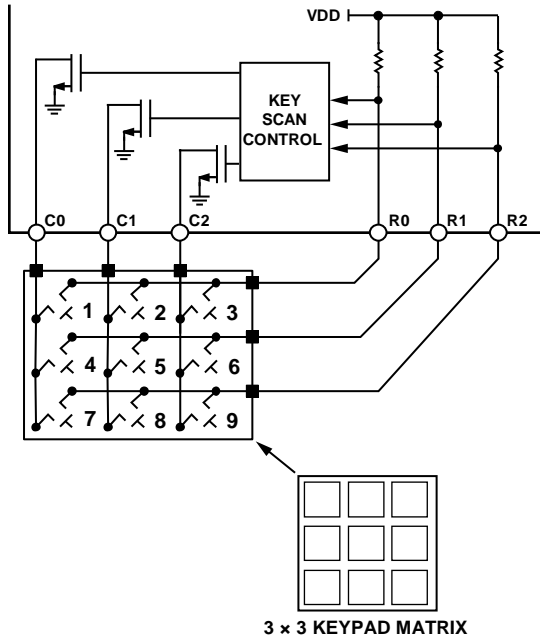


Figure 9. Simplified Key Scan Block

Figure 9 shows a simplified representation of the key scan block using three row and three column pins connected to a small 3 × 3, nine-switch keypad matrix. When the key scanner is idle, the row pins are pulled high and the column pins are driven low. The key scanner operates by checking the row pins to see if they are low.

If Switch 6 in the matrix is pressed, R1 connects to C2. The key scan circuit senses that one of the row pins is pulled low, and a key scan cycle begins. Key scanning involves driving all column pins high, then driving each column pin, one at a time, low and sensing whether a row pin is low or not. All row/column pairs are

scanned; therefore, if multiple keys are pressed, they are detected.

To prevent glitches or narrow press times being registered as a valid key press, the key scanner requires the key be pressed for two scan cycles. The key scanner has a wait time between each scan cycle; therefore, the key must be pressed and held for at least this wait time to register as being pressed. If the key is continuously pressed, the key scanner continues to scan, wait, scan, wait, and so forth.

If Switch 6 is released, the connection between R1 and C2 breaks, and R1 is pulled up high. The key scanner requires that the key be released for two scan cycles because the release of a key is not necessarily in sync with the key scanner, it may take up to two full wait/scan cycles for a key to register as released. When the key is registered as released, and no other keys are pressed, the key scanner returns to idle mode.

For the remainder of this document, the press/release status of a key is represented as simply a logic signal in the figures. A logic high level represents the key status as pressed, and a logic low represents released. This eliminates the need to draw individual row/column signals when describing key events.

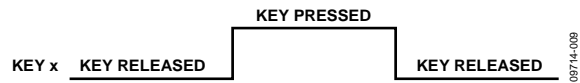


Figure 10. Logic Low: Released; Logic High: Pressed

Figure 11 shows a detailed representation of the key scan block and its associated control and status signals. When all row and column pins are used, a matrix of 88 unique keys can be scanned.

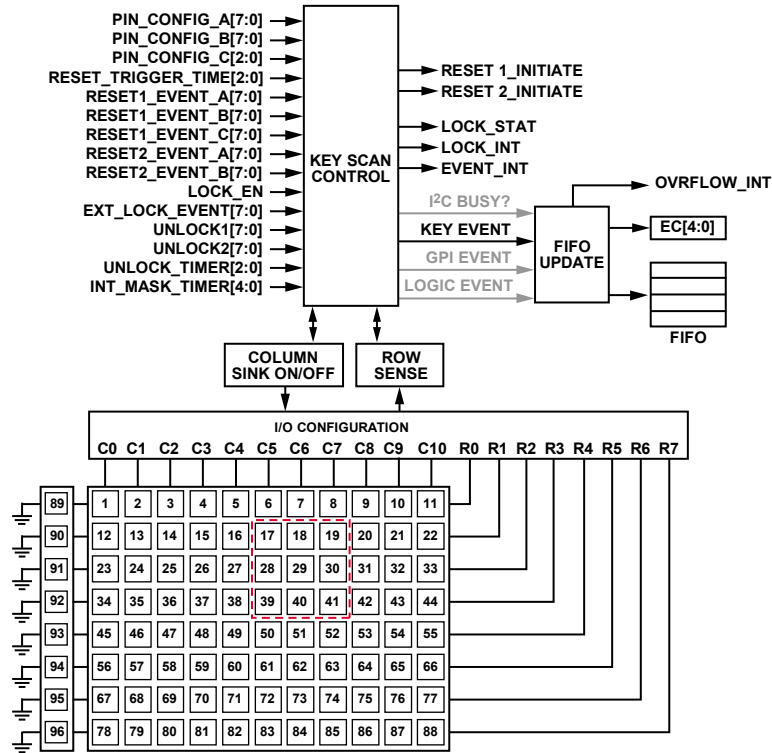


Figure 11. Detailed Key Scan Block

Use Registers PIN_CONFIG_A[7:0] (0x49), PIN_CONFIG_B[7:0] (0x4A), and PIN_CONFIG_C[2:0] (0x4B) to configure I/Os for keypad decoding. The number label on each key switch represents the event identifier that is recorded if that switch is pressed. If all row/column pins are configured, it is possible to observe all 88 key identifiers on the FIFO.

If a smaller 3 × 3 matrix is configured, for example, using the C5, C6, and C7 column pins and the R1, R2, and R3 row pins, only the nine event identifiers (17, 18, 19, 28, 29, 30, 39, 40, and 41) can possibly be observed on the FIFO, as shown in Figure 11.

By default, the ADP5589 records key presses and releases on the FIFO. Figure 12 illustrates what happens when a single key is pressed and released. Initially, the key scanner is idle. When Key 32 is pressed, the scanner begins scanning through all configured row/column pairs. After the scan wait time, the scanner again scans through all configured row/column pairs and detects that Key 32 has remained pressed, which sets the EVENT_INT interrupt. The event counter, EC[4:0], is incremented to 1, EVENT1[7:0] of the FIFO is updated with its event identifier set to 32, and its Event1_State bit is set to 1, indicating a press.

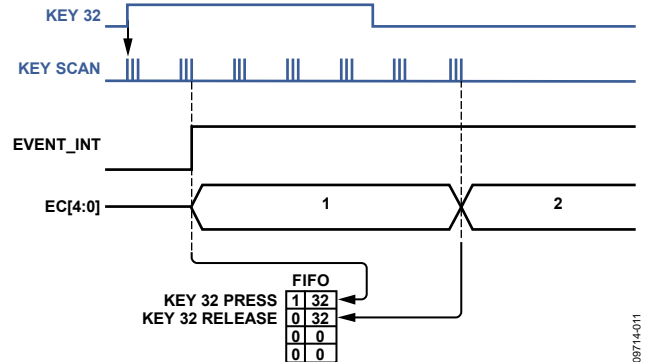


Figure 12. Press and Release Event

The key scanner continues the scan/wait cycles while the key remains pressed. If the scanner detects that the key has been released for two consecutive scan cycles, the event counter EC[4:0] is incremented to 2, and EVENT2[7:0] of the FIFO is updated with its event identifier set to 32. Its Event2_State bit is set to 0, indicating a release. The key scanner goes back to idle mode because no other keys are pressed.

The EVENT_INT interrupt can be triggered by both press and release key events. As shown in Figure 13, if Key 32 is pressed, EVENT_INT is asserted, EC[4:0] is updated, and the FIFO is updated. During the time that the key is still pressed, it is possible for the FIFO to be read, the event counter decremented to 0, and EVENT_INT cleared. When the key is finally released, EVENT_INT is asserted, the event counter incremented, and the FIFO updated with the release event information.

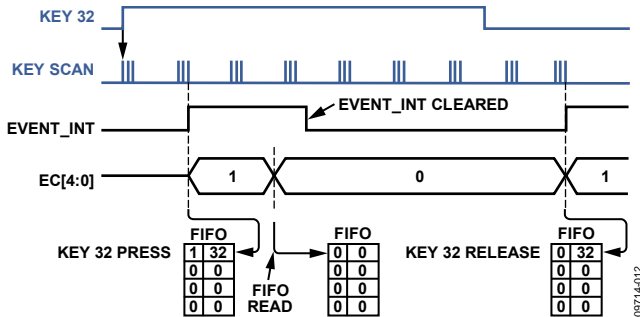


Figure 13. Asserting the EVENT_INT Interrupt

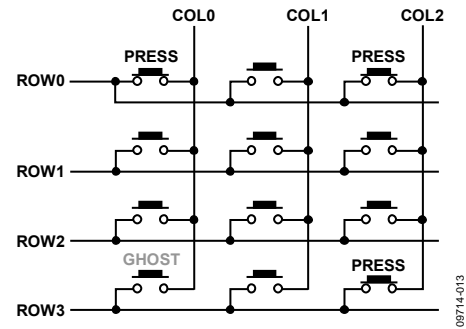


Figure 14. COL0-ROW3 is a Ghost Key Due to Short Between ROW0, COL0, COL2 and ROW3 During Key Press

Key Pad Extension

As shown in Figure 11, the keypad can be extended if each row is connected directly to ground by a switch. If the switch placed between R0 and ground is pressed, the whole row is grounded. When the key scanner completes scanning, it normally detects Key 1 to Key 11 as being pressed; however, this unique condition is decoded by the ADP5589, and Key Event 89 is assigned to it. Up to eight more key event assignments are possible, allowing the keypad size to extend up to 96. However, if one of the extended keys is pressed, none of the keys on that row is detectable. Activation of a ground key causes all other keys sharing that row to be undetectable.

Ghosting

Ghosting is an occurrence where, given certain key press combinations on a keypad matrix, a false positive reading of an additional key is detected. Ghosting is created when three or more keys are pressed simultaneously on multiple rows or columns (see Figure 14). Key combinations that form a right angle on the keypad matrix can cause ghosting.

The solution to ghosting is to select a keypad matrix layout that takes into account three key combinations that are most likely to be pressed together. Multiple keys pressed across one row or across one column do not cause ghosting. Staggering keys so that they do not share a column also avoids ghosting. The most common practice is to place keys that are likely to be pressed together in the same row or column. Some examples of keys that are likely to be pressed together are as follows:

- The navigation keys in combination with Select.
- The navigation keys in combination with the space bar.
- The reset combination keys, such as CTRL + ALT + DEL.

FIFO Lock/Unlock

The ADP5589 features a lock mode, whereby events are prevented from updating the FIFO or the event counter or from generating EVENT_INT interrupts until an unlock event is detected.

The lock feature is enabled by setting the LOCK_EN (0x37[0]) bit or, alternatively, by a user programmable key or GPI event (set via EXT_LOCK_EVENT[7:0], Address 0x35). If the lock feature is enabled by the LOCK_EN bit, the LOCK_STAT (0x02[5]) bit is set. If the lock feature is enabled by an external event, then the LOCK_STAT bit is set, and a LOCK_INT interrupt is generated.

Unlock events are programmed via the UNLOCK1[7:0] (0x33) and UNLOCK2[7:0] (0x34) registers. Bits[6:0] comprise the even number. Bit 7 determines the active/inactive event (see the UNLOCK1 Register 0x33 (Table 59) and the UNLOCK2 Register 0x34 (Table 60)).

If the user chooses to use only one unlock event, only the UNLOCK1[7:0] register should be programmed. Unlock events can be key press events (Event 1 to Event 88). Key release events are ignored when the keypad is locked and should not be used as unlock events.

GPIs configured to generate FIFO updates can also be used as unlock events (Event 97 to Event 115, either active or inactive). If either UNLOCKx register is programmed with Value 127 (Event 127), this means that any allowable event (key or GPI) is the unlock event. For example, if UNLOCK1[6:0] is programmed with 17, and UNLOCK2[6:0] is programmed with 127, the unlock sequence is Key 17 press followed by any other allowable event.

If the first unlock event is detected, partial unlock has occurred. If the next event after the first unlock event is not the second unlock event, then a full lock state is entered again. If the next event after the first unlock event is the second unlock event, then LOCK_STAT is cleared, and a LOCK_INT interrupt is generated. The user can at any stage clear LOCK_EN. This clears the LOCK_STAT bit but does not cause a LOCK_INT interrupt to be generated.

When full unlock is achieved, FIFO and event count updates resume. Note that if a key press is used as the second unlock event, the release of that key is captured on the FIFO after unlocking is completed.

The ADP5589 features an unlock timer, UNLOCK_TIMER[2:0] (0x36[2:0]). When enabled, after the first unlock event occurs, the unlock timer begins counting, and the second unlock event must occur before the unlock timer expires. If the unlock timer expires, the first unlock event must occur again to restart the unlock process. Figure 15 shows a simple state diagram of the unlocking process.

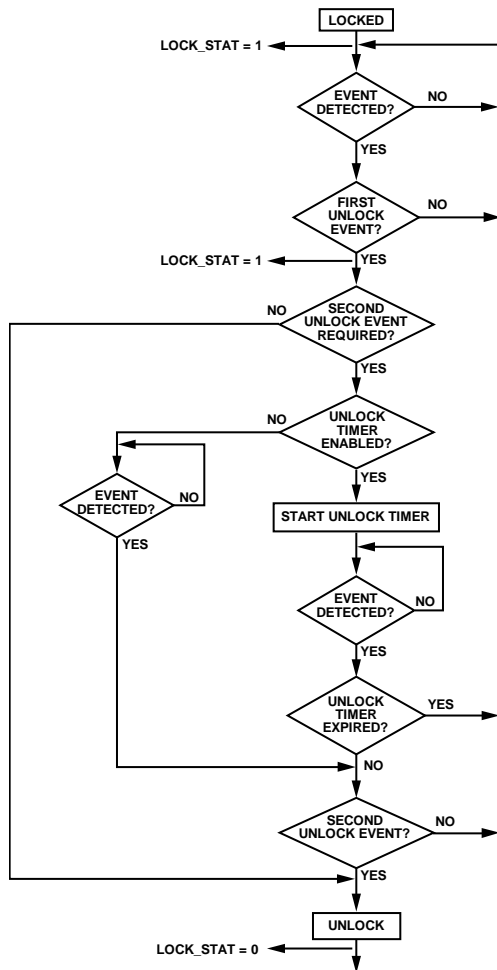


Figure 15. State Diagram of Unlocking Process

When lock mode is enabled, no EVENT_INT interrupts can be generated until the unlock events occur.

The ADP5589 features an interrupt mask timer, INT_MASK_TIMER[4:0] (0x36[7:3]). When this timer and lock mode are enabled, a single EVENT_INT is generated if any key is pressed or any GPI (programmed to update the FIFO) is active. When the EVENT_INT is generated, the mask timer begins counting. No additional EVENT_INT interrupts are generated until the mask timer expires and a new key is pressed or any GPI (programmed to update the FIFO) is active, unless the unlock events occur, in which case, normal operation is resumed.

Allowing a single EVENT_INT interrupt is useful to alert the processor to turn on its screen and display an unlock message to the user. Blanking out additional key presses ensures that the processor is not unnecessarily interrupted until the unlock events occur. Figure 16 shows the unlock sequence when the interrupt mask timer is enabled.

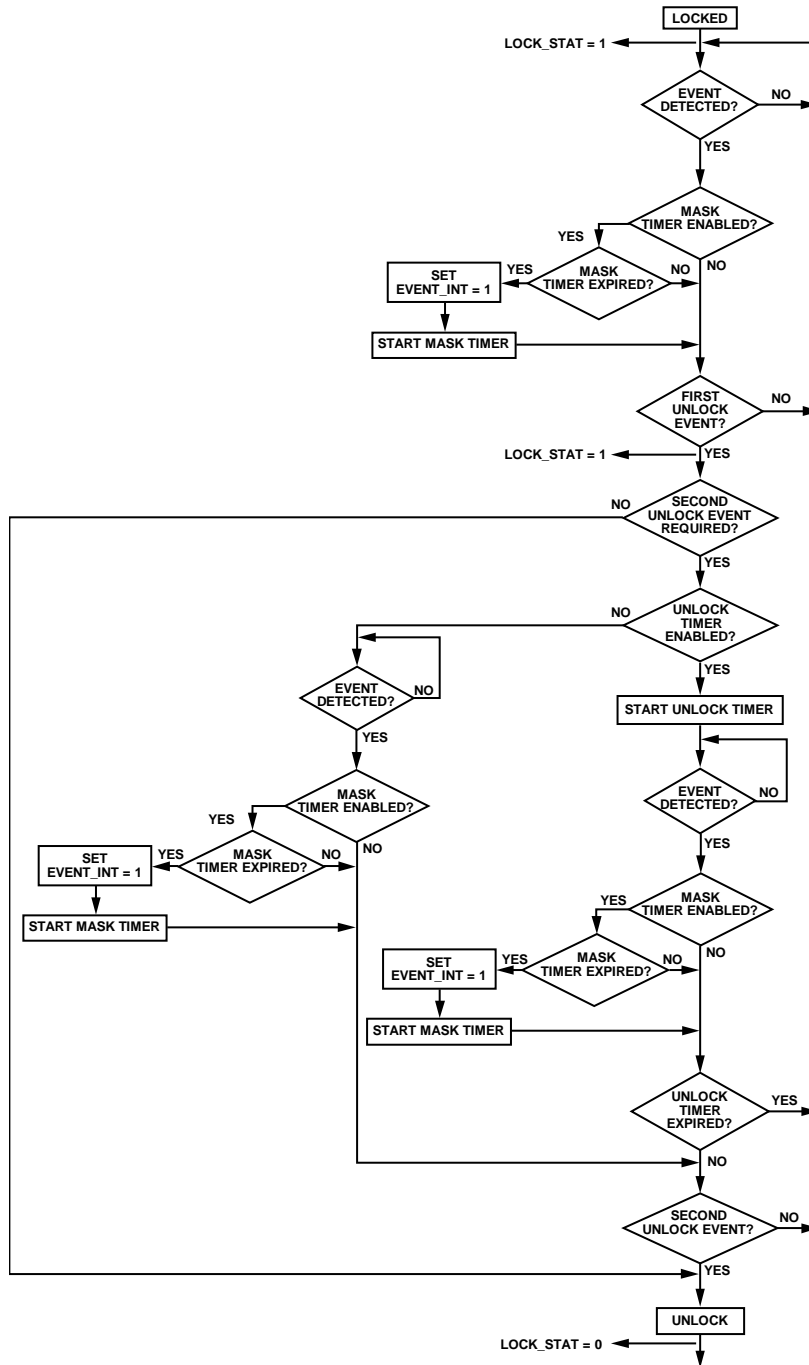


Figure 16. Unlock Sequence

09714-0/15

GPI Input

Each of the 19 I/O lines can be configured as a general-purpose logic input line. Figure 17 shows a detailed representation of the GPI scan and detect block and all its associated control and status signals.

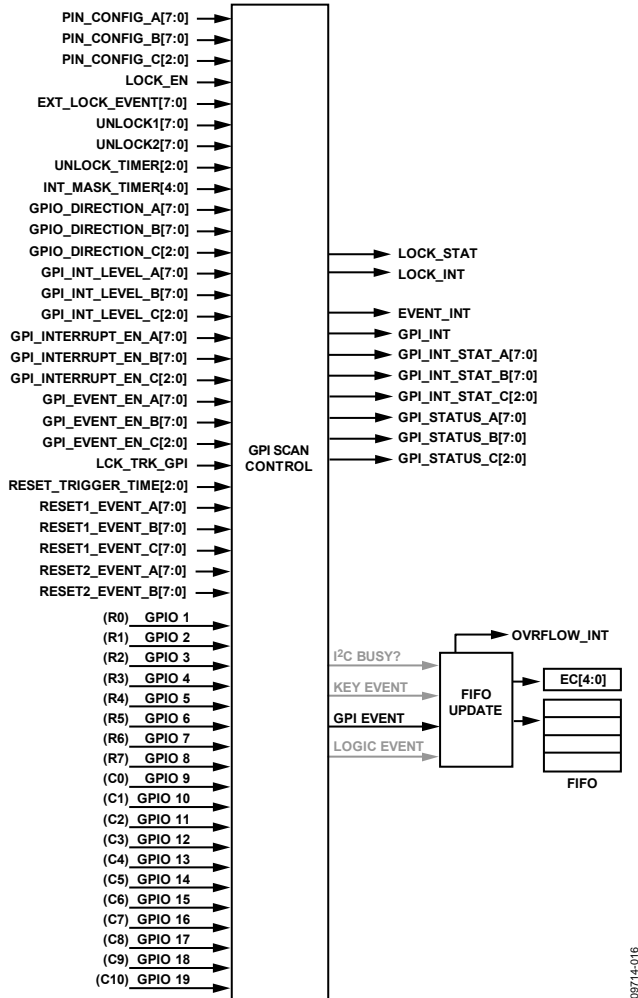


Figure 17. GPI Scan and Detect Block

The current input state of each GPI can be read back using the GPI_STATUS_x registers. Each GPI can be programmed to generate an interrupt via the GPI_INTERRUPT_EN_x registers. The interrupt status is stored in the GPI_INT_STAT_x registers. GPI interrupts can be programmed to trigger on inputs being high or on inputs being low via the GPI_INT_LEVEL_x registers. If any of the GPI interrupts is triggered, the master GPI_INT interrupt is also triggered.

Figure 18 demonstrates a single GPI and how it affects its corresponding status and interrupt status bits.

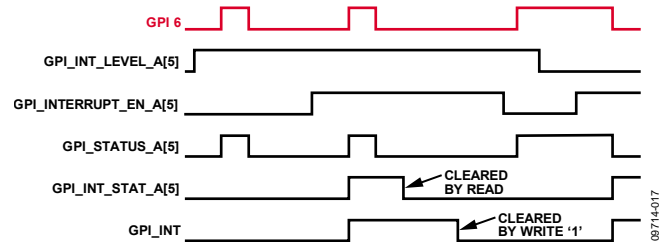


Figure 18. Single GPI Example

GPIs can be programmed to generate FIFO events via the GPI_EVENT_EN_x registers. GPIs in this mode do not generate GPI_INT interrupts and instead generate EVENT_INT interrupts. Figure 19 shows several GPI lines and their effects on the FIFO and event count, EC[4:0].

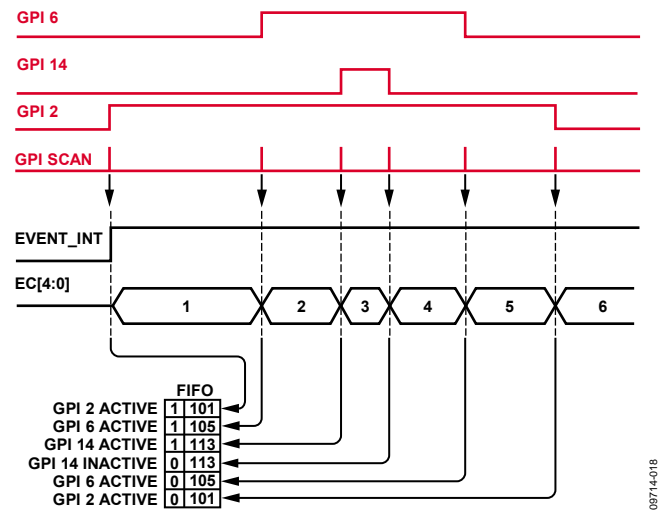


Figure 19. Multiple GPI Lines Example

The GPI scanner is idle until it detects a level transition. It scans the GPI inputs and updates accordingly. It then returns to idle immediately; it does not scan/wait, like the key scanner. As such, the GPI scanner can detect narrow pulses once they get past the 50 μs input debounce filter.

GPIs (programmed for FIFO updating) can be used as keypad unlock events via the UNLOCKx registers (see the FIFO Lock/Unlock section). The LCK_TRK_GPI bit can be used to allow GPIs (programmed for FIFO updating) to be tracked when the keypad is locked.

GPO OUTPUT

Each of the 19 I/O lines can be configured as a general-purpose output (GPO) line. Figure 6 shows a detailed diagram of the I/O structure. See the Detailed Register Descriptions section for GPO configuration and usage.

LOGIC BLOCKS

Several of the ADP5589 I/O lines can be used as inputs and outputs for implementing some common logic functions.

The R1, R2, and R3 I/O pins can be used as inputs, and the R0 I/O pin can be used as an output for Logic Block 1.

The C8, C7, and C6 I/O pins can be used as inputs, and the C9 I/O pin can be used as an output, for Logic Block 2. It is also possible to cascade the output of Logic Block 1 as an alternate input for Logic Block 2 (LY1 is used instead of LA2).

The outputs from the logic blocks can be configured to generate interrupts. They can also be configured to generate events on the FIFO. The LCK_TRK_LOGIC (0x4D[4]) bit can be used to allow logic events (programmed for FIFO updating) to be tracked when the keypad is locked.

Figure 21 and Figure 22 show detailed diagrams of the internal make-up of each logic block, illustrating the possible logic functions that can be implemented.

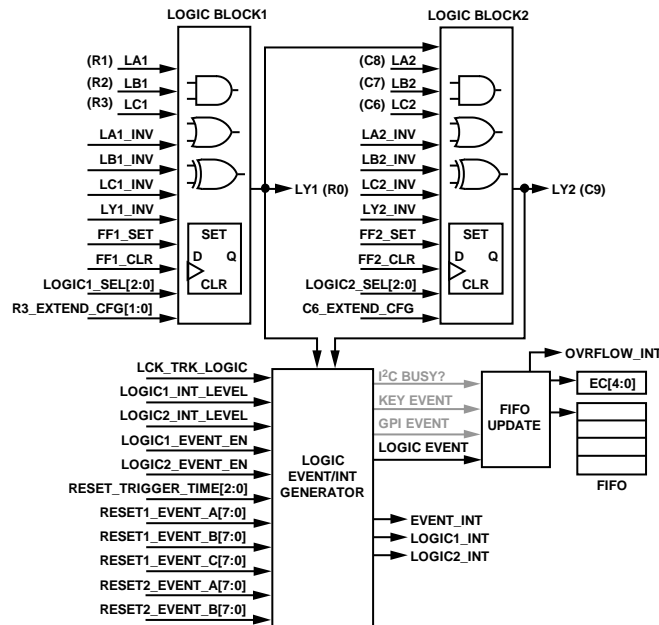


Figure 20. Logic Blocks Overview

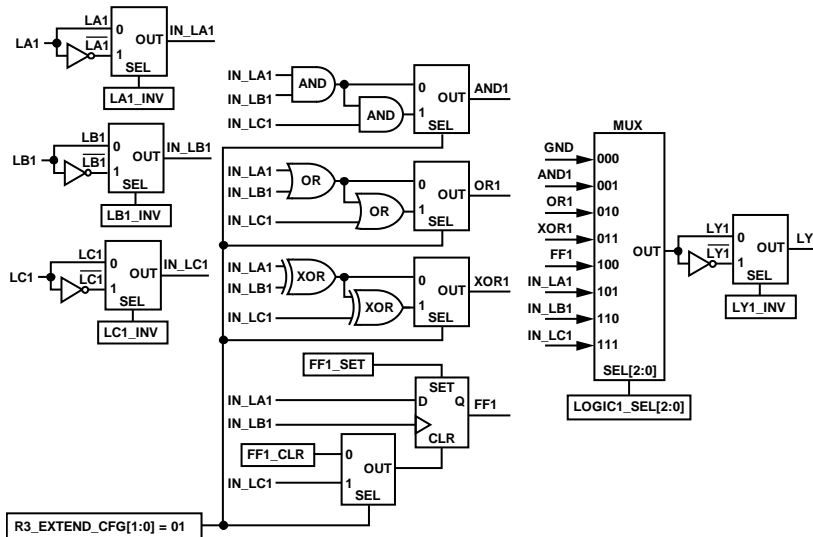


Figure 21. Logic Block 1

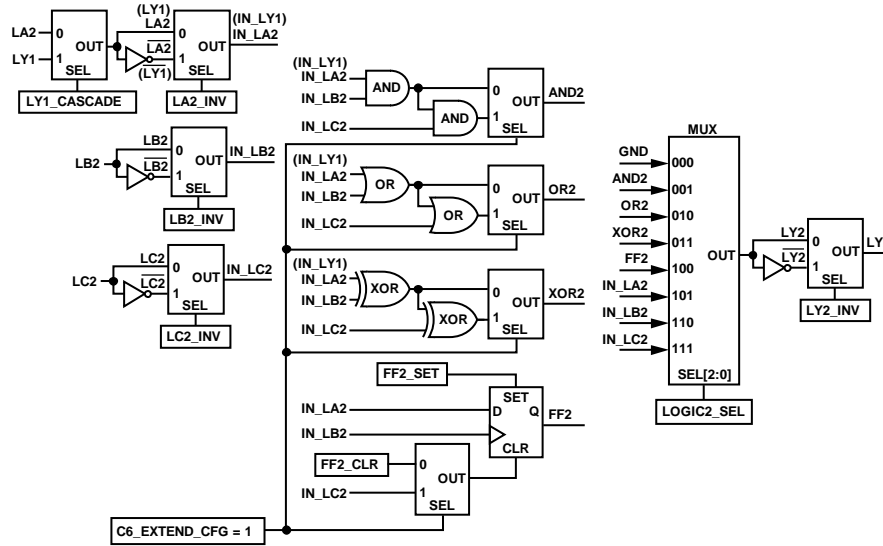


Figure 22. Logic Block 2

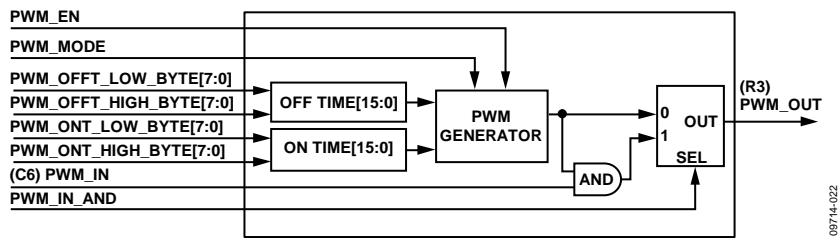


Figure 23. PWM Block Diagram

PWM BLOCK

The ADP5589 features a PWM generator whose output can be configured to drive out on I/O Pin R3. PWM on/off times are programmed via four 8-bit registers.

Newly programmed values are not latched until the final byte, PWM_ONT_HIGH_BYTE (Address 0x41, Bits[7:0]), is written to (see Figure 23).

The highest frequency obtainable from the PWM is performed by setting the least significant bit (LSB) of both the on and off bit patterns, resulting in a 500 kHz signal with a 50% duty cycle. Each LSB represents 1 μs of on or off time.

The PWM block provides support for continuous PWM mode as well as a one-shot mode (see Table 74). Additionally, an external signal can be AND'd with the internal PWM signal. This option can be selected by writing a 1 to PWM_IN_AND, PWM_CFG[2]. The input to the external AND is the C6 I/O pin. C6 should be set to GPI (GPIO15). Note that the debounce for C6 will result in a delay of the AND'ing, and can be controlled using register GPI_15_DEB_DIS (Address 0x28, Bit[6]).

Newly programmed values are not latched until the final byte, PWM_ONT_HIGH_BYTE (Address 0x41, Bits[7:0]), is written.

CLOCK DIVIDER BLOCK

The ADP5589 features a clock divider block that divides down the frequency of an externally supplied source via I/O Pin C6. The output of the divider is driven out on I/O Pin R3.

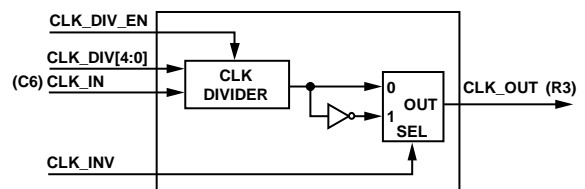


Figure 24. Clock Divider Block

RESET BLOCKS

The ADP5589 features two reset blocks that can generate reset conditions if certain events are detected at the same time. Up to three reset trigger events can be programmed for RESET1. Up to two reset trigger events can be programmed for RESET2. The event scan control blocks monitor whether these events are present for the duration of RESET_TRIGGER_TIME[2:0] (0x3D[4:2]). If they are, reset-initiate signals are sent to the reset generator blocks. The generated reset signal pulse width is programmable.

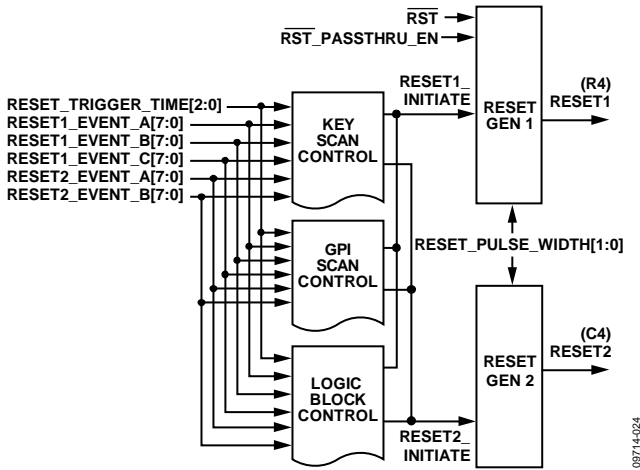


Figure 25. Reset Blocks

The RESET1 signal uses I/O Pin R4 as its output. A pass-through mode allows the main \overline{RST} pin to be output on the R4 pin also.

The RESET2 signal uses I/O Pin C4 as its output.

The reset generation signals are useful in situations where the system processor has locked up and the system is unresponsive to input events. The user can press one of the reset event combinations and initiate a system-wide reset. This alleviates the need for removing the battery from the system and performing a hard reset.

It is not recommended to use the immediate trigger time (see the details of the RESET_CFG Register, 0x3D, in Table 69) because this setting may cause false triggering.

INTERRUPTS

The \overline{INT} pin can be asserted low if any of the internal interrupt sources is active. The user can select which internal interrupts interact with the external interrupt pin in register INT_EN (Address 0x4E, Bits[7:0]) (refer to Table 86). allows the user to choose whether the external interrupt pin remains asserted, or deasserts for 50 μ s, then reasserts, in the case that there are multiple internal interrupts asserted, and one is cleared (refer to Table 85).

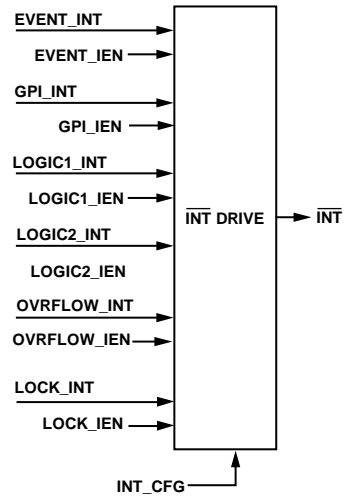


Figure 26. Asserting \overline{INT} Low

REGISTER INTERFACE

Register access of the ADP5589 is acquired via its I²C-compatible serial interface. The interface can support clock frequencies of up to 1 MHz. If the user is accessing the FIFO or key event counter (KEC), FIFO/KEC updates are paused. If the clock frequency is very low, events may not be recorded in a timely manner. FIFO or KEC updates can happen up to 23 μs after an interrupt is asserted because of the number of I²C cycles required to perform an I²C read or write. This delay should not present an issue to the user.

Figure 27 shows a typical write sequence for programming an internal register. The cycle begins with a start condition, followed by the hard coded 7-bit device address, which for the ADP5589 is 0x34, followed by the R/W bit set to 0 for a write cycle. The ADP5589 acknowledges the address byte by pulling the data line low. The address of the register to which data is to be written is sent next. The ADP5589 acknowledges the register pointer byte by pulling the data line low. The data byte to be written is sent next. The ADP5589 acknowledges the data byte by pulling the data line low. A stop condition completes the sequence.

Figure 28 shows a typical multibyte write sequence for programming internal registers. The cycle begins with a start condition followed by the 7-bit device address (0x34), followed by the

R/W bit set to 0 for a write cycle. The ADP5589 acknowledges the address byte by pulling the data line low. The address of the register to which data is to be written is sent next. The ADP5589 acknowledges the register pointer byte by pulling the data line low. The data byte to be written is sent next. The ADP5589 acknowledges the data byte by pulling the data line low. The pointer address is then incremented to write the next data byte, until it finishes writing the n data byte. The ADP5589 pulls the data line low after every byte, and a stop condition completes the sequence.

Figure 29 shows a typical byte read sequence for reading internal registers. The cycle begins with a start condition followed by the 7-bit device address (0x34), followed by the R/W bit set to 0 for a write cycle. The ADP5589 acknowledges the address byte by pulling the data line low. The address of the register from which data is to be read is sent next. The ADP5589 acknowledges the register pointer byte by pulling the data line low. A start condition is repeated, followed by the 7-bit device address (0x34), followed by the R/W bit set to 1 for a read cycle. The ADP5589 acknowledges the address byte by pulling the data line low. The 8-bit data is then read. The host pulls the data line high (no acknowledge), and a stop condition completes the sequence.



Figure 27. I²C Single-Byte Write Sequence

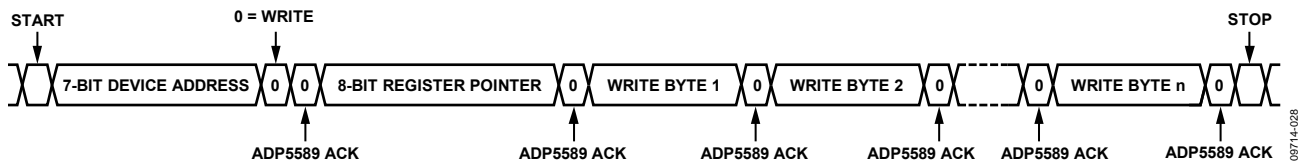


Figure 28. I²C Multibyte Write Sequence

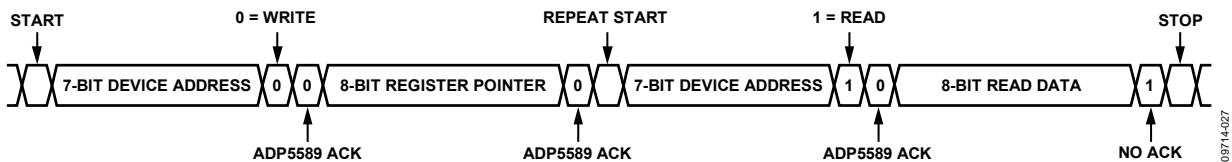


Figure 29. I²C Single-Byte Read Sequence

Figure 30 shows a typical multibyte read sequence for reading internal registers. The cycle begins with a start condition, followed by the 7-bit device address (0x34), followed by the R/W bit set to 0 for a write cycle. The ADP5589 acknowledges the address byte by pulling the data line low. The address of the register from which data is to be read is sent next. The ADP5589 acknowledges the register pointer byte by pulling the data line low. A start condition is repeated, followed by the 7-bit device address (0x34),

followed by the R/W bit set to 1 for a read cycle. The ADP5589 acknowledges the address byte by pulling the data line low. The 8-bit data is then read. The address pointer is then incremented to read the next data byte, and the host continues to pull the data line low for each byte (master acknowledge) until the n data byte is read. The host pulls the data line high (no acknowledge) after the last byte is read, and a stop condition completes the sequence.

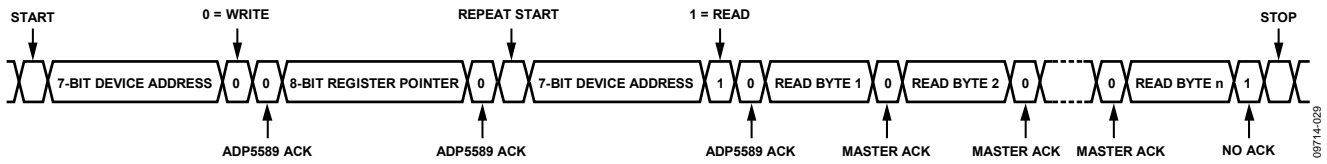


Figure 30. I²C Multibyte Read Sequence

REGISTER MAP

Table 6.

| Addr. | R/W | Bit 7 | Bit 6 | Bit 5 | Bit 4 | Bit 3 | Bit 2 | Bit 1 | Bit 0 | |
|-------|-----|-------------------------|-------------------------|------------|------------|----------|-------------------------|---------|-----------|--|
| 0x00 | R | MAN_ID | | | | REV_ID | | | | |
| 0x01 | R/W | Reserved | | LOGIC2_INT | LOGIC1_INT | LOCK_INT | OVRFLOW_INT | GPI_INT | EVENT_INT | |
| 0x02 | R | LOGIC2_STAT | LOGIC1_STAT | LOCK_STAT | EC[4:0] | | | | | |
| 0x03 | R | Event1_State | EVENT1_IDENTIFIER[6:0] | | | | | | | |
| 0x04 | R | Event2_State | EVENT2_IDENTIFIER[6:0] | | | | | | | |
| 0x05 | R | Event3_State | EVENT3_IDENTIFIER[6:0] | | | | | | | |
| 0x06 | R | Event4_State | EVENT4_IDENTIFIER[6:0] | | | | | | | |
| 0x07 | R | Event5_State | EVENT5_IDENTIFIER[6:0] | | | | | | | |
| 0x08 | R | Event6_State | EVENT6_IDENTIFIER[6:0] | | | | | | | |
| 0x09 | R | Event7_State | EVENT7_IDENTIFIER[6:0] | | | | | | | |
| 0x0A | R | Event8_State | EVENT8_IDENTIFIER[6:0] | | | | | | | |
| 0x0B | R | Event9_State | EVENT9_IDENTIFIER[6:0] | | | | | | | |
| 0x0C | R | Event10_State | EVENT10_IDENTIFIER[6:0] | | | | | | | |
| 0x0D | R | Event11_State | EVENT11_IDENTIFIER[6:0] | | | | | | | |
| 0x0E | R | Event12_State | EVENT12_IDENTIFIER[6:0] | | | | | | | |
| 0x0F | R | Event13_State | EVENT13_IDENTIFIER[6:0] | | | | | | | |
| 0x10 | R | Event14_State | EVENT14_IDENTIFIER[6:0] | | | | | | | |
| 0x11 | R | Event15_State | EVENT15_IDENTIFIER[6:0] | | | | | | | |
| 0x12 | R | Event16_State | EVENT16_IDENTIFIER[6:0] | | | | | | | |
| 0x13 | R | GPI_INT_STAT_A[7:0] | | | | | | | | |
| 0x14 | R | GPI_INT_STAT_B[7:0] | | | | | | | | |
| 0x15 | R | Reserved | | | | | GPI_INT_STAT_C[2:0] | | | |
| 0x16 | R | GPI_STATUS_A[7:0] | | | | | | | | |
| 0x17 | R | GPI_STATUS_B[7:0] | | | | | | | | |
| 0x18 | R | Reserved | | | | | GPI_STATUS_C[2:0] | | | |
| 0x19 | R/W | RPULL_CONFIG_A[7:0] | | | | | | | | |
| 0x1A | R/W | RPULL_CONFIG_B[7:0] | | | | | | | | |
| 0x1B | R/W | RPULL_CONFIG_C[7:0] | | | | | | | | |
| 0x1C | R/W | RPULL_CONFIG_D[7:0] | | | | | | | | |
| 0x1D | R/W | Reserved | RPULL_CONFIG_E[5:0] | | | | | | | |
| 0x1E | R/W | GPI_INT_LEVEL_A[7:0] | | | | | | | | |
| 0x1F | R/W | GPI_INT_LEVEL_B[7:0] | | | | | | | | |
| 0x20 | R/W | Reserved | | | | | GPI_INT_LEVEL_C[2:0] | | | |
| 0x21 | R/W | GPI_EVENT_EN_A[7:0] | | | | | | | | |
| 0x22 | R/W | GPI_EVENT_EN_B[7:0] | | | | | | | | |
| 0x23 | R/W | Reserved | | | | | GPI_EVENT_EN_C[2:0] | | | |
| 0x24 | R/W | GPI_INTERRUPT_EN_A[7:0] | | | | | | | | |
| 0x25 | R/W | GPI_INTERRUPT_EN_B[7:0] | | | | | | | | |
| 0x26 | R/W | Reserved | | | | | GPI_INTERRUPT_EN_C[2:0] | | | |
| 0x27 | R/W | DEBOUNCE_DIS_A[7:0] | | | | | | | | |
| 0x28 | R/W | DEBOUNCE_DIS_B[7:0] | | | | | | | | |
| 0x29 | R/W | Reserved | | | | | DEBOUNCE_DIS_C[2:0] | | | |
| 0x2A | R/W | GPO_DATA_OUT_A[7:0] | | | | | | | | |
| 0x2B | R/W | GPO_DATA_OUT_B[7:0] | | | | | | | | |
| 0x2C | R/W | Reserved | | | | | GPO_DATA_OUT_C[2:0] | | | |
| 0x2D | R/W | GPO_OUT_MODE_A[7:0] | | | | | | | | |
| 0x2E | R/W | GPO_OUT_MODE_B[7:0] | | | | | | | | |
| 0x2F | R/W | Reserved | | | | | GPO_OUT_MODE_C[2:0] | | | |
| 0x30 | R/W | GPIO_DIRECTION_A[7:0] | | | | | | | | |
| 0x31 | R/W | GPIO_DIRECTION_B[7:0] | | | | | | | | |
| 0x32 | R/W | Reserved | | | | | GPIO_DIRECTION_C[2:0] | | | |

| Addr. | R/W | Bit 7 | Bit 6 | Bit 5 | Bit 4 | Bit 3 | Bit 2 | Bit 1 | Bit 0 | |
|-------|-----|-------------------------|---------------------|-----------------|-------------------------|--------------------|-------------------|------------------------|--------------------|--|
| 0x33 | R/W | UNLOCK1_STATE | UNLOCK1[6:0] | | | | | | | |
| 0x34 | R/W | UNLOCK2_STATE | UNLOCK2[6:0] | | | | | | | |
| 0x35 | R/W | EXT_LOCK_STATE | EXT_LOCK_EVENT[6:0] | | | | | | | |
| 0x36 | R/W | INT_MASK_TIMER[4:0] | | | | | UNLOCK_TIMER[2:0] | | | |
| 0x37 | R/W | Reserved | | | | | | | LOCK_EN | |
| 0x38 | R/W | RESET1_EVENT_A Level | RESET1_EVENT_A[6:0] | | | | | | | |
| 0x39 | R/W | RESET2_EVENT_B Level | RESET1_EVENT_B[6:0] | | | | | | | |
| 0x3A | R/W | RESET1_EVENT_B Level | RESET1_EVENT_C[6:0] | | | | | | | |
| 0x3B | R/W | RESET1_EVENT_B Level | RESET2_EVENT_A[6:0] | | | | | | | |
| 0x3C | R/W | RESET1_EVENT_B Level | RESET2_EVENT_B[6:0] | | | | | | | |
| 0x3D | R/W | RESET2_POL | RESET1_POL | RST_PASSTHRU_EN | RESET_TRIGGER_TIME[2:0] | | | RESET_PULSE_WIDTH[1:0] | | |
| 0x3E | R/W | PWM_OFFT_LOW_BYTE[7:0] | | | | | | | | |
| 0x3F | R/W | PWM_OFFT_HIGH_BYTE[7:0] | | | | | | | | |
| 0x40 | R/W | PWM_ONT_LOW_BYTE[7:0] | | | | | | | | |
| 0x41 | R/W | PWM_ONT_HIGH_BYTE[7:0] | | | | | | | | |
| 0x42 | R/W | Reserved | | | | | PWM_IN_AND | PWM_MODE | PWM_EN | |
| 0x43 | R/W | Reserved | CLK_INV | CLK_DIV[4:0] | | | | | CLK_DIV_EN | |
| 0x44 | R/W | Reserved | LY1_INV | LC1_INV | LB1_INV | LA1_INV | LOGIC1_SEL[2:0] | | | |
| 0x45 | R/W | LY1_CASCADE | LY2_INV | LC2_INV | LB2_INV | LA2_INV | LOGIC2_SEL[2:0] | | | |
| 0x46 | R/W | Reserved | | | | FF2_SET | FF2_CLR | FF1_SET | FF1_CLR | |
| 0x47 | R/W | Reserved | | LY2_DBNC_DIS | LOGIC2_EVENT_EN | LOGIC2_INT_LEVEL | LY1_DBNC_DIS | LOGIC1_EVENT_EN | LOGIC1_INT_LEVEL | |
| 0x48 | R/W | Reserved | | | | | | | KEY_POLL_TIME[1:0] | |
| 0x49 | R/W | PIN_CONFIG_A[7:0] | | | | | | | | |
| 0x4A | R/W | PIN_CONFIG_B[7:0] | | | | | | | | |
| 0x4B | R/W | Reserved | | | | | PIN_CONFIG_C[2:0] | | | |
| 0x4C | R/W | PULL_SELECT | C4_EXTEND_CFG | R4_EXTEND_CFG | C6_EXTEND_CFG | R3_EXTEND_CFG[1:0] | | C9_EXTEND_CFG | R0_EXTEND_CFG | |
| 0x4D | R/W | OSC_EN | CORE_FREQ[1:0] | | LCK_TRK_LOGIC | LCK_TRK_GPI | INT_CFG | | RST_CFG | |
| 0x4E | R/W | Reserved | | LOGIC2_IEN | LOGIC1_IEN | LOCK_IEN | OVRFLOW_IEN | GPI_IEN | EVENT_IEN | |

DETAILED REGISTER DESCRIPTIONS

Note: N/A throughout this section means not applicable.

Note: All registers default to 0000 0000 unless otherwise specified.

ID Register 0x00

Table 7. ID Bit Descriptions

| Bits | Name | R/W | Description |
|--------|--------|-----|----------------------------------|
| [7: 4] | MAN_ID | R | Manufacturer ID, default = 0001. |
| [3:0] | REV_ID | R | Rev ID. |

Default = 0001 XXXX

INT_STATUS Register 0x01

Table 8. INT_STATUS Bit Descriptions

| Bits | Name | R/W | Description |
|--------|-------------|-----|--|
| [7: 6] | N/A | | Reserved. |
| 5 | LOGIC2_INT | R/W | 0 = no interrupt. 1 = interrupt due to a general Logic 2 condition. Write a 1 to this bit to clear it. |
| 4 | LOGIC1_INT | R/W | 0 = no interrupt. 1 = interrupt due to a general Logic 1 condition. Write a 1 to this bit to clear it. |
| 3 | LOCK_INT | R/W | 0 = no interrupt. 1 = interrupt due to a lock/unlock condition. The user can read LOCK_STAT (0x02[5]) to determine if LOCK_INT is due to a lock or unlock event. If LOCK_STAT = 1, LOCK_INT is due to a lock event. If LOCK_STAT = 0, LOCK_INT is due to an unlock event. Write a 1 to this bit to clear it. If lock mode is enabled via the software bit LOCK_EN (0x37[0]), a LOCK_INT is not generated because the processor knows it just enabled lock mode. If lock mode is disabled (while locked) via the software bit LOCK_EN, a LOCK_INT is not generated because the processor knows it just disabled lock mode. |
| 2 | OVRFLOW_INT | R/W | 0 = no interrupt. 1 = interrupt due to an overflow condition. Write a 1 to this bit to clear it. |
| 1 | GPI_INT | R/W | 0 = no interrupt. 1 = interrupt due to a general GPI condition. This bit is not set by a GPI that has been configured to update the FIFO and event count. Write a 1 to this bit to clear it. This bit cannot be cleared until all GPI_x_INT bits are cleared. |
| 0 | EVENT_INT | R/W | 0 = no interrupt. 1 = interrupt due to key event (press/release), GPI event (GPI programmed for FIFO updates), or Logic 1/Logic 2 event (programmed for FIFO updates). Write a 1 to this bit to clear it. |

Status Register 0x02

Table 9. Status Bit Descriptions

| Bits | Name | R/W | Description |
|-------|-------------|-----|---|
| 7 | LOGIC2_STAT | R | 0 = output from Logic Block 2. (LY2) is low. 1 = output from Logic Block 2. (LY2) is high. |
| 6 | LOGIC1_STAT | R | 0 = output from Logic Block 1 (LY1) is low. 1 = output from Logic Block 1 (LY1) is high. |
| 5 | LOCK_STAT | R | 0 = unlocked. 1 = locked. |
| [4:0] | EC[4:0] | R | Event count value. Indicates how many events are currently stored on the FIFO. |

FIFO_1 Register 0x03**Table 10. FIFO_1 Bit Descriptions**

| Bits | Name | R/W | Description |
|-------|------------------------|-----|---|
| 7 | Event1_State | R | The seven lower bits of each FIFO location contain the event identifier, which can be decoded to reveal the event recorded. Table 11 outlines each event number, what it represents, and the I/O pins associated with it. Bit 7 is the Event 1 state. |
| [6:0] | EVENT1_IDENTIFIER[6:0] | | This bit represents the state of the event that is recorded in EVENT1_IDENTIFIER[6:0]. For key events (Event 1 to Event 96). 1 = key is pressed. 0 = key is released. For GPI and logic events (Event 97 to Event 117). 1 = GPI/logic is active. 0 = GPI/logic is inactive. Active and inactive states are programmable. |

Table 11. Event Decoding

| Event No. | Meaning | Event No. | Meaning | Event No. | Meaning | Event No. | Meaning |
|-----------|------------------|-----------|------------------|-----------|------------------|-----------|---------------------|
| 0 | No event | 32 | Key 32 (R2, C9) | 64 | Key 64 (R5, C8) | 96 | Key 96 (R7, GND) |
| 1 | Key 1 (R0, C0) | 33 | Key 33 (R2, C10) | 65 | Key 65 (R5, C9) | 97 | GPI 1 (R0) |
| 2 | Key 2 (R0, C1) | 34 | Key 34 (R3, C0) | 66 | Key 66 (R5, C10) | 98 | GPI 2 (R1) |
| 3 | Key 3 (R0, C2) | 35 | Key 35 (R3, C1) | 67 | Key 67 (R6, C0) | 99 | GPI 3 (R2) |
| 4 | Key 4 (R0, C3) | 36 | Key 36 (R3, C2) | 68 | Key 68 (R6, C1) | 100 | GPI 4 (R3) |
| 5 | Key 5 (R0, C4) | 37 | Key 37 (R3, C3) | 69 | Key 69 (R6, C2) | 101 | GPI 5 (R4) |
| 6 | Key 6 (R0, C5) | 38 | Key 38 (R3, C4) | 70 | Key 70 (R6, C3) | 102 | GPI 6 (R5) |
| 7 | Key 7 (R0, C6) | 39 | Key 39 (R3, C5) | 71 | Key 71 (R6, C4) | 103 | GPI 7 (R6) |
| 8 | Key 8 (R0, C7) | 40 | Key 40 (R3, C6) | 72 | Key 72 (R6, C5) | 104 | GPI 8 (R7) |
| 9 | Key 9 (R0, C8) | 41 | Key 41 (R3, C7) | 73 | Key 73 (R6, C6) | 105 | GPI 9 (C0) |
| 10 | Key 10 (R0, C9) | 42 | Key 42 (R3, C8) | 74 | Key 74 (R6, C7) | 106 | GPI 10 (C1) |
| 11 | Key 11 (R0, C10) | 43 | Key 43 (R3, C9) | 75 | Key 75 (R6, C8) | 107 | GPI 11 (C2) |
| 12 | Key 12 (R1, C0) | 44 | Key 44 (R3, C10) | 76 | Key 76 (R6, C9) | 108 | GPI 12 (C3) |
| 13 | Key 13 (R1, C1) | 45 | Key 45 (R4, C0) | 77 | Key 77 (R6, C10) | 109 | GPI 13 (C4) |
| 14 | Key 14 (R1, C2) | 46 | Key 46 (R4, C1) | 78 | Key 78 (R7, C0) | 110 | GPI 14 (C5) |
| 15 | Key 15 (R1, C3) | 47 | Key 47 (R4, C2) | 79 | Key 79 (R7, C1) | 111 | GPI 15 (C6) |
| 16 | Key 16 (R1, C4) | 48 | Key 48 (R4, C3) | 80 | Key 80 (R7, C2) | 112 | GPI 16 (C7) |
| 17 | Key 17 (R1, C5) | 49 | Key 49 (R4, C4) | 81 | Key 81 (R7, C3) | 113 | GPI 17 (C8) |
| 18 | Key 18 (R1, C6) | 50 | Key 50 (R4, C5) | 82 | Key 82 (R7, C4) | 114 | GPI 18 (C9) |
| 19 | Key 19 (R1, C7) | 51 | Key 51 (R4, C6) | 83 | Key 83 (R7, C5) | 115 | GPI 19 (C10) |
| 20 | Key 20 (R1, C8) | 52 | Key 52 (R4, C7) | 84 | Key 84 (R7, C6) | 116 | Logic 1 |
| 21 | Key 21 (R1, C9) | 53 | Key 53 (R4, C8) | 85 | Key 85 (R7, C7) | 117 | Logic 2 |
| 22 | Key 22 (R1, C10) | 54 | Key 54 (R4, C9) | 86 | Key 86 (R7, C8) | 118 | Unused |
| 23 | Key 23 (R2, C0) | 55 | Key 55 (R4, C10) | 87 | Key 87 (R7, C9) | 119 | Unused |
| 24 | Key 24 (R2, C1) | 56 | Key 56 (R5, C0) | 88 | Key 88 (R7, C10) | 120 | Unused |
| 25 | Key 25 (R2, C2) | 57 | Key 57 (R5, C1) | 89 | Key 89 (R0, GND) | 121 | Unused |
| 26 | Key 26 (R2, C3) | 58 | Key 58 (R5, C2) | 90 | Key 90 (R1, GND) | 122 | Unused |
| 27 | Key 27 (R2, C4) | 59 | Key 59 (R5, C3) | 91 | Key 91 (R2, GND) | 123 | Unused |
| 28 | Key 28 (R2, C5) | 60 | Key 60 (R5, C4) | 92 | Key 92 (R3, GND) | 124 | Unused |
| 29 | Key 29 (R2, C6) | 61 | Key 61 (R5, C5) | 93 | Key 93 (R4, GND) | 125 | Unused |
| 30 | Key 30 (R2, C7) | 62 | Key 62 (R5, C6) | 94 | Key 94 (R5, GND) | 126 | Unused |
| 31 | Key 31 (R2, C8) | 63 | Key 63 (R5, C7) | 95 | Key 95 (R6, GND) | 127 | Wildcard for unlock |

FIFO_2 Register 0x04

Table 12. FIFO_2 Bit Descriptions

| Bits | Name | R/W | Description |
|-------|------------------------|-----|--------------------|
| 7 | Event2_State | R | Refer to Table 10. |
| [6:0] | EVENT2_IDENTIFIER[6:0] | R | Refer to Table 10. |

FIFO_3 Register 0x05

Table 13. FIFO_3 Bit Descriptions

| Bits | Name | R/W | Description |
|-------|------------------------|-----|--------------------|
| 7 | Event3_State | R | Refer to Table 10. |
| [6:0] | EVENT3_IDENTIFIER[6:0] | R | Refer to Table 10. |

FIFO_4 Register 0x06

Table 14. FIFO_4 Bit Descriptions

| Bits | Name | R/W | Description |
|-------|------------------------|-----|--------------------|
| 7 | Event4_State | R | Refer to Table 10. |
| [6:0] | EVENT4_IDENTIFIER[6:0] | R | Refer to Table 10. |

FIFO_5 Register 0x07

Table 15. FIFO_5 Bit Descriptions

| Bits | Name | R/W | Description |
|-------|------------------------|-----|--------------------|
| 7 | Event5_State | R | Refer to Table 10. |
| [6:0] | EVENT5_IDENTIFIER[6:0] | R | Refer to Table 10. |

FIFO_6 Register 0x08

Table 16. FIFO_6 Bit Descriptions

| Bits | Name | R/W | Description |
|-------|------------------------|-----|--------------------|
| 7 | Event6_State | R | Refer to Table 10. |
| [6:0] | EVENT6_IDENTIFIER[6:0] | R | Refer to Table 10. |

FIFO_7 Register 0x09

Table 17. FIFO_7 Bit Descriptions

| Bits | Name | R/W | Description |
|-------|------------------------|-----|--------------------|
| 7 | Event7_State | R | Refer to Table 10. |
| [6:0] | EVENT7_IDENTIFIER[6:0] | R | Refer to Table 10. |

FIFO_8 Register 0x0A

Table 18. FIFO_8 Bit Descriptions

| Bits | Name | R/W | Description |
|-------|------------------------|-----|--------------------|
| 7 | Event8_State | R | Refer to Table 10. |
| [6:0] | EVENT8_IDENTIFIER[6:0] | R | Refer to Table 10. |

FIFO_9 Register 0x0B

Table 19. FIFO_9 Bit Descriptions

| Bits | Name | R/W | Description |
|-------|------------------------|-----|--------------------|
| 7 | Event9_State | R | Refer to Table 10. |
| [6:0] | EVENT9_IDENTIFIER[6:0] | R | Refer to Table 10. |

FIFO_10 Register 0x0C

Table 20. FIFO_10 Bit Descriptions

| Bits | Name | R/W | Description |
|-------|-------------------------|-----|--------------------|
| 7 | Event10_State | R | Refer to Table 10. |
| [6:0] | EVENT10_IDENTIFIER[6:0] | R | Refer to Table 10. |

FIFO_11 Register 0x0D

Table 21. FIFO_11 Bit Descriptions

| Bits | Name | R/W | Description |
|-------|-------------------------|-----|--------------------|
| 7 | Event11_State | R | Refer to Table 10. |
| [6:0] | EVENT11_IDENTIFIER[6:0] | R | Refer to Table 10. |

FIFO_12 Register 0x0E

Table 22. FIFO_12 Bit Descriptions

| Bits | Name | R/W | Description |
|-------|-------------------------|-----|--------------------|
| 7 | Event12_State | R | Refer to Table 10. |
| [6:0] | EVENT12_IDENTIFIER[6:0] | R | Refer to Table 10. |

FIFO_13 Register 0x0F

Table 23. FIFO_13 Bit Descriptions

| Bits | Name | R/W | Description |
|-------|-------------------------|-----|--------------------|
| 7 | Event13_State | R | Refer to Table 10. |
| [6:0] | EVENT13_IDENTIFIER[6:0] | R | Refer to Table 10. |

FIFO_14 Register 0x10

Table 24. FIFO_14 Bit Descriptions

| Bits | Name | R/W | Description |
|-------|-------------------------|-----|--------------------|
| 7 | Event14_State | R | Refer to Table 10. |
| [6:0] | EVENT14_IDENTIFIER[6:0] | R | Refer to Table 10. |

FIFO_15 Register 0x11

Table 25. FIFO_15 Bit Descriptions

| Bits | Name | R/W | Description |
|-------|-------------------------|-----|--------------------|
| 7 | Event15_State | R | Refer to Table 10. |
| [6:0] | EVENT15_IDENTIFIER[6:0] | R | Refer to Table 10. |

FIFO_16 Register 0x12

Table 26. FIFO_16 Bit Descriptions

| Bits | Name | R/W | Description |
|-------|-------------------------|-----|--------------------|
| 7 | Event16_State | R | Refer to Table 10. |
| [6:0] | EVENT16_IDENTIFIER[6:0] | R | Refer to Table 10. |

GPI_INT_STAT_A Register 0x13

Table 27. GPI_INT_STAT_A Bit Descriptions

| Bits | Name | R/W | Description |
|------|-----------|-----|--|
| 7 | GPI_8_INT | R | 0 = no interrupt. 1 = interrupt due to GPI_8 (R7 pin). Cleared on read. |
| 6 | GPI_7_INT | R | 0 = no interrupt. 1 = interrupt due to GPI_7 (R6 pin). Cleared on read. |
| 5 | GPI_6_INT | R | 0 = no interrupt. 1 = interrupt due to GPI_6 (R5 pin). Cleared on read. |
| 4 | GPI_5_INT | R | 0 = no interrupt. 1 = interrupt due to GPI_5 (R4 pin). Cleared on read. |
| 3 | GPI_4_INT | R | 0 = no interrupt. 1 = interrupt due to GPI_4 (R3 pin). Cleared on read. |
| 2 | GPI_3_INT | R | 0 = no interrupt. 1 = interrupt due to GPI_3 (R2 pin). Cleared on read. |
| 1 | GPI_2_INT | R | 0 = no interrupt. 1 = interrupt due to GPI_2 (R1 pin). Cleared on read. |
| 0 | GPI_1_INT | R | 0 = no interrupt. 1 = interrupt due to GPI_1 (R0 pin). Cleared on read. |

GPI_INT_STAT_B Register 0x14

Table 28. GPI_INT_STAT_B Bit Descriptions

| Bits | Name | R/W | Description |
|------|------------|-----|---|
| 7 | GPI_16_INT | R | 0 = no interrupt. 1 = interrupt due to GPI_16 (C7 pin). Cleared on read. |
| 6 | GPI_15_INT | R | 0 = no interrupt. 1 = interrupt due to GPI_15 (C6 pin). Cleared on read. |
| 5 | GPI_14_INT | R | 0 = no interrupt. 1 = interrupt due to GPI_14 (C5 pin). Cleared on read. |
| 4 | GPI_13_INT | R | 0 = no interrupt. 1 = interrupt due to GPI_13 (C4 pin). Cleared on read. |
| 3 | GPI_12_INT | R | 0 = no interrupt. 1 = interrupt due to GPI_12 (C3 pin). Cleared on read. |
| 2 | GPI_11_INT | R | 0 = no interrupt. 1 = interrupt due to GPI_11 (C2 pin). Cleared on read. |
| 1 | GPI_10_INT | R | 0 = no interrupt. 1 = interrupt due to GPI_10 (C1 pin). Cleared on read. |
| 0 | GPI_9_INT | R | 0 = no interrupt. 1 = interrupt due to GPI_9 (C0 pin). Cleared on read. |

GPI_INT_STAT_C Register 0x15

Table 29. GPI_INT_STAT_C Bit Descriptions

| Bits | Name | R/W | Description |
|--------|------------|-----|--|
| [7: 3] | | | Reserved. |
| 2 | GPI_19_INT | R | 0 = no interrupt. 1 = interrupt due to GPI_19 (C10 pin). Cleared on read. |
| 1 | GPI_18_INT | R | 0 = no interrupt. 1 = interrupt due to GPI_18 (C9 pin). Cleared on read. |
| 0 | GPI_17_INT | R | 0 = no interrupt. 1 = interrupt due to GPI_17 (C8 pin). Cleared on read. |

GPI_STATUS_A Register 0x16

Table 30. GPI_STATUS_A Bit Descriptions

| Bits | Name | R/W | Description |
|------|------------|-----|---|
| 7 | GPI_8_STAT | R | 0 = GPI_8 (R7 pin) is low. 1 = GPI_8 (R7 pin) is high. |
| 6 | GPI_7_STAT | R | 0 = GPI_7 (R6 pin) is low. 1 = GPI_7 (R6 pin) is high. |
| 5 | GPI_6_STAT | R | 0 = GPI_6 (R5 pin) is low. 1 = GPI_6 (R5 pin) is high. |
| 4 | GPI_5_STAT | R | 0 = GPI_5 (R4 pin) is low. 1 = GPI_5 (R4 pin) is high. |
| 3 | GPI_4_STAT | R | 0 = GPI_4 (R3 pin) is low. 1 = GPI_4 (R3 pin) is high. |
| 2 | GPI_3_STAT | R | 0 = GPI_3 (R2 pin) is low. 1 = GPI_3 (R2 pin) is high. |
| 1 | GPI_2_STAT | R | 0 = GPI_2 (R1 pin) is low. 1 = GPI_2 (R1 pin) is high. |
| 0 | GPI_1_STAT | R | 0 = GPI_1 (R0 pin) is low. 1 = GPI_1 (R0 pin) is high. |

GPI_STATUS_B Register 0x17

Table 31. GPI_STATUS_B Bit Descriptions

| Bits | Name | R/W | Description |
|------|-------------|-----|---|
| 7 | GPI_16_STAT | R | 0 = GPI_16 (C7 pin) is low. 1 = GPI_16 (C7 pin) is high. |
| 6 | GPI_15_STAT | R | 0 = GPI_15 (C6 pin) is low. 1 = GPI_15 (C6 pin) is high. |
| 5 | GPI_14_STAT | R | 0 = GPI_14 (C5 pin) is low. 1 = GPI_14 (C5 pin) is high. |
| 4 | GPI_13_STAT | R | 0 = GPI_13 (C4 pin) is low. 1 = GPI_13 (C4 pin) is high. |
| 3 | GPI_12_STAT | R | 0 = GPI_12 (C3 pin) is low. 1 = GPI_12 (C3 pin) is high. |
| 2 | GPI_11_STAT | R | 0 = GPI_11 (C2 pin) is low. 1 = GPI_11 (C2 pin) is high. |
| 1 | GPI_10_STAT | R | 0 = GPI_10 (C1 pin) is low. 1 = GPI_10 (C1 pin) is high. |
| 0 | GPI_9_STAT | R | 0 = GPI_9 (C0 pin) is low. 1 = GPI_9 (C0 pin) is high. |

GPI_STATUS_C Register 0x18

Table 32. GPI_STATUS_C Bit Descriptions

| Bits | Name | R/W | Description |
|--------|-------------|-----|---|
| [7: 3] | | | Reserved. |
| 2 | GPI_19_STAT | R | 0 = GPI_19 (C10 pin) is low. 1 = GPI_19 (C10 pin) is high. |
| 1 | GPI_18_STAT | R | 0 = GPI_18 (C9 pin) is low. 1 = GPI_18 (C9 pin) is high. |
| 0 | GPI_17_STAT | R | 0 = GPI_17 (C8 pin) is low. 1 = GPI_17 (C8 pin) is high. |

RPULL_CONFIG_A Register 0x19**Table 33. RPULL_CONFIG_A Bit Descriptions**

| Bits | Name | R/W | Description |
|-------|-------------|-----|--|
| [7:6] | R3_PULL_CFG | R/W | 00 = enable 300 kΩ pull-up. 01 = enable 300 kΩ pull-down. 10 = enable 100 kΩ pull-up. 11 = disable all pull-up/pull-down resistors. |
| [5:4] | R2_PULL_CFG | R/W | 00 = enable 300 kΩ pull-up. 01 = enable 300 kΩ pull-down. 10 = enable 100 kΩ pull-up. 11 = disable all pull-up/pull-down resistors. |
| [3:2] | R1_PULL_CFG | R/W | 00 = enable 300 kΩ pull-up. 01 = enable 300 kΩ pull-down. 10 = enable 100 kΩ pull-up. 11 = disable all pull-up/pull-down resistors. |
| [1:0] | R0_PULL_CFG | R/W | 00 = enable 300 kΩ pull-up. 01 = enable 300 kΩ pull-down. 10 = enable 100 kΩ pull-up. 11 = disable all pull-up/pull-down resistors. |

ADP5589AC_Z-00-R7, ADP5589AC_Z-01-R7 Default = 0000 0000

ADP5589AC_Z-02-R7 Default = 0100 0001

RPULL_CONFIG_B Register 0x1A**Table 34. RPULL_CONFIG_B Bit Descriptions**

| Bits | Name | R/W | Description |
|--------|-------------|-----|--|
| [7 :6] | R7_PULL_CFG | R/W | 00 = enable 300 kΩ pull-up. 01 = enable 300 kΩ pull-down. 10 = enable 100 kΩ pull-up. 11 = disable all pull-up/pull-down resistors. |
| [5: 4] | R6_PULL_CFG | R/W | 00 = enable 300 kΩ pull-up. 01 = enable 300 kΩ pull-down. 10 = enable 100 kΩ pull-up. 11 = disable all pull-up/pull-down resistors. |
| [3: 2] | R5_PULL_CFG | R/W | 00 = enable 300 kΩ pull-up. 01 = enable 300 kΩ pull-down. 10 = enable 100 kΩ pull-up. 11 = disable all pull-up/pull-down resistors. |
| [1: 0] | R4_PULL_CFG | R/W | 00 = enable 300 kΩ pull-up. 01 = enable 300 kΩ pull-down. 10 = enable 100 kΩ pull-up. 11 = disable all pull-up/pull-down resistors. |

ADP5589AC_Z-00-R7, ADP5589AC_Z-01-R7 Default = 0000 0000

ADP5589AC_Z-02-R7 Default = 0000 0001

RPULL_CONFIG_C Register 0x1B**Table 35. RPULL_CONFIG_C Bit Descriptions**

| Bits | Name | R/W | Description |
|-------|-------------|-----|--|
| [7:6] | C3_PULL_CFG | R/W | 00 = enable 300 kΩ pull-up. 01 = enable 300 kΩ pull-down. 10 = enable 100 kΩ pull-up. 11 = disable all pull-up/pull-down resistors. |
| [5:4] | C2_PULL_CFG | R/W | 00 = enable 300 kΩ pull-up. 01 = enable 300 kΩ pull-down. 10 = enable 100 kΩ pull-up. 11 = disable all pull-up/pull-down resistors. |
| [3:2] | C1_PULL_CFG | R/W | 00 = enable 300 kΩ pull-up. 01 = enable 300 kΩ pull-down. 10 = enable 100 kΩ pull-up. 11 = disable all pull-up/pull-down resistors. |
| [1:0] | C0_PULL_CFG | R/W | 00 = enable 300 kΩ pull-up. 01 = enable 300 kΩ pull-down. 10 = enable 100 kΩ pull-up. 11 = disable all pull-up/pull-down resistors. |

RPULL_CONFIG_D Register 0x1C**Table 36. RPULL_CONFIG_D Bit Descriptions**

| Bits | Name | R/W | Description |
|-------|-------------|-----|--|
| [7:6] | C7_PULL_CFG | R/W | 00 = enable 300 kΩ pull-up. 01 = enable 300 kΩ pull-down. 10 = enable 100 kΩ pull-up. 11 = disable all pull-up/pull-down resistors. |
| [5:4] | C6_PULL_CFG | R/W | 00 = enable 300 kΩ pull-up. 01 = enable 300 kΩ pull-down. 10 = enable 100 kΩ pull-up. 11 = disable all pull-up/pull-down resistors. |
| [3:2] | C5_PULL_CFG | R/W | 00 = enable 300 kΩ pull-up. 01 = enable 300 kΩ pull-down. 10 = enable 100 kΩ pull-up. 11 = disable all pull-up/pull-down resistors. |
| [1:0] | C4_PULL_CFG | R/W | 00 = enable 300 kΩ pull-up. 01 = enable 300 kΩ pull-down. 10 = enable 100 kΩ pull-up. 11 = disable all pull-up/pull-down resistors. |

ADP5589AC_Z-00-R7, ADP5589AC_Z-01-R7 Default = 0000 0000

ADP5589AC_Z-02-R7 Default = 0001 0001

RPULL_CONFIG_E Register 0x1D**Table 37. RPULL_CONFIG_E Bit Descriptions**

| Bits | Name | R/W | Description |
|-------|--------------|-----|--|
| [7:6] | | | Reserved. |
| [5:4] | C10_PULL_CFG | R/W | 00 = enable 300 kΩ pull-up. 01 = enable 300 kΩ pull-down. 10 = enable 100 kΩ pull-up. 11 = disable all pull-up/pull-down resistors. |
| [3:2] | C9_PULL_CFG | R/W | 00 = enable 300 kΩ pull-up. 01 = enable 300 kΩ pull-down. 10 = enable 100 kΩ pull-up. 11 = disable all pull-up/pull-down resistors. |
| [1:0] | C8_PULL_CFG | R/W | 00 = enable 300 kΩ pull-up. 01 = enable 300 kΩ pull-down. 10 = enable 100 kΩ pull-up. 11 = disable all pull-up/pull-down resistors. |

ADP5589AC_Z-00-R7, ADP5589AC_Z-01-R7 Default = 0000 0000

ADP5589AC_Z-02-R7 Default = 0000 0100

GPI_INT_LEVEL_A Register 0x1E**Table 38. GPI_INT_LEVEL_A Bit Descriptions**

| Bits | Name | R/W | Description |
|------|-----------------|-----|--|
| 7 | GPI_8_INT_LEVEL | R/W | 0 = GPI_8 interrupt is active low. 1 = GPI_8 interrupt is active high. |
| 6 | GPI_7_INT_LEVEL | R/W | 0 = GPI_7 interrupt is active low. 1 = GPI_7 interrupt is active high. |
| 5 | GPI_6_INT_LEVEL | R/W | 0 = GPI_6 interrupt is active low. 1 = GPI_6 interrupt is active high. |
| 4 | GPI_5_INT_LEVEL | R/W | 0 = GPI_5 interrupt is active low. 1 = GPI_5 interrupt is active high. |
| 3 | GPI_4_INT_LEVEL | R/W | 0 = GPI_4 interrupt is active low. 1 = GPI_4 interrupt is active high. |
| 2 | GPI_3_INT_LEVEL | R/W | 0 = GPI_3 interrupt is active low. 1 = GPI_3 interrupt is active high. |
| 1 | GPI_2_INT_LEVEL | R/W | 0 = GPI_2 interrupt is active low. 1 = GPI_2 interrupt is active high. |
| 0 | GPI_1_INT_LEVEL | R/W | 0 = GPI_1 interrupt is active low (GPI_1_INT is set whenever R0 is low). 1 = GPI_1 interrupt is active high (GPI_1_INT is set whenever R0 is high). |

GPI_INT_LEVEL_B Register 0x1F**Table 39. GPI_INT_LEVEL_B Bit Descriptions**

| Bits | Name | R/W | Description |
|------|------------------|-----|---|
| 7 | GPI_16_INT_LEVEL | R/W | 0 = GPI_16 interrupt is active low. 1 = GPI_16 interrupt is active high. |
| 6 | GPI_15_INT_LEVEL | R/W | 0 = GPI_15 interrupt is active low. 1 = GPI_15 interrupt is active high. |
| 5 | GPI_14_INT_LEVEL | R/W | 0 = GPI_14 interrupt is active low. 1 = GPI_14 interrupt is active high. |
| 4 | GPI_13_INT_LEVEL | R/W | 0 = GPI_13 interrupt is active low. 1 = GPI_13 interrupt is active high. |
| 3 | GPI_12_INT_LEVEL | R/W | 0 = GPI_12 interrupt is active low. 1 = GPI_12 interrupt is active high. |
| 2 | GPI_11_INT_LEVEL | R/W | 0 = GPI_11 interrupt is active low. 1 = GPI_11 interrupt is active high. |
| 1 | GPI_10_INT_LEVEL | R/W | 0 = GPI_10 interrupt is active low. 1 = GPI_10 interrupt is active high. |
| 0 | GPI_9_INT_LEVEL | R/W | 0 = GPI_9 interrupt is active low. 1 = GPI_9 interrupt is active high. |

GPI_INT_LEVEL_C Register 0x20**Table 40. GPI_INT_LEVEL_C Bit Descriptions**

| Bits | Name | R/W | Description |
|-------|------------------|-----|---|
| [7:3] | | | Reserved. |
| 2 | GPI_19_INT_LEVEL | R/W | 0 = GPI_19 interrupt is active low. 1 = GPI_19 interrupt is active high. |
| 1 | GPI_18_INT_LEVEL | R/W | 0 = GPI_18 interrupt is active low. 1 = GPI_18 interrupt is active high. |
| 0 | GPI_17_INT_LEVEL | R/W | 0 = GPI_17 interrupt is active low. 1 = GPI_17 interrupt is active high. |

GPI_EVENT_EN_A Register 0x21**Table 41. GPI_EVENT_EN_A Bit Descriptions**

| Bits | Name | R/W | Description |
|------|----------------|-----|---|
| 7 | GPI_8_EVENT_EN | R/W | 0 = disable GPI events. 1 = allow GPI 8 activity to generate events on the FIFO. |
| 6 | GPI_7_EVENT_EN | R/W | 0 = disable GPI events. 1 = allow GPI 7 activity to generate events on the FIFO. |
| 5 | GPI_6_EVENT_EN | R/W | 0 = disable GPI events. 1 = allow GPI 6 activity to generate events on the FIFO. |
| 4 | GPI_5_EVENT_EN | R/W | 0 = disable GPI events. 1 = allow GPI 5 activity to generate events on the FIFO. |
| 3 | GPI_4_EVENT_EN | R/W | 0 = disable GPI events. 1 = allow GPI 4 activity to generate events on the FIFO. |
| 2 | GPI_3_EVENT_EN | R/W | 0 = disable GPI events. 1 = allow GPI 3 activity to generate events on the FIFO. |
| 1 | GPI_2_EVENT_EN | R/W | 0 = disable GPI events. 1 = allow GPI 2 activity to generate events on the FIFO. |
| 0 | GPI_1_EVENT_EN | R/W | 0 = disable GPI events. 1 = allow GPI 1 activity to generate events on the FIFO. GPIs in this mode are considered FIFO events and can be used for unlock purposes. GPI activity in this mode causes EVENT_INT interrupts. GPIs in this mode do not generate GPI_INT interrupts. |

GPI_EVENT_EN_B Register 0x22**Table 42. GPI_EVENT_EN_B Bit Descriptions**

| Bits | Name | R/W | Description |
|------|-----------------|-----|--|
| 7 | GPI_16_EVENT_EN | R/W | 0 = disable GPI events. 1 = allow GPI 16 activity to generate events on the FIFO. |
| 6 | GPI_15_EVENT_EN | R/W | 0 = disable GPI events. 1 = allow GPI 15 activity to generate events on the FIFO. |
| 5 | GPI_14_EVENT_EN | R/W | 0 = disable GPI events. 1 = allow GPI 14 activity to generate events on the FIFO. |
| 4 | GPI_13_EVENT_EN | R/W | 0 = disable GPI events. 1 = allow GPI 13 activity to generate events on the FIFO. |
| 3 | GPI_12_EVENT_EN | R/W | 0 = disable GPI events. 1 = allow GPI 12 activity to generate events on the FIFO. |
| 2 | GPI_11_EVENT_EN | R/W | 0 = disable GPI events. 1 = allow GPI 11 activity to generate events on the FIFO. |
| 1 | GPI_10_EVENT_EN | R/W | 0 = disable GPI events. 1 = allow GPI 10 activity to generate events on the FIFO. |
| 0 | GPI_9_EVENT_EN | R/W | 0 = disable GPI events. 1 = allow GPI 9 activity to generate events on the FIFO. |

GPI_EVENT_EN_C Register 0x23**Table 43. GPI_EVENT_EN_C Bit Descriptions**

| Bits | Name | R/W | Description |
|-------|-----------------|-----|--|
| [7:3] | | | Reserved. |
| 2 | GPI_19_EVENT_EN | R/W | 0 = disable GPI events. 1 = allow GPI 19 activity to generate events on the FIFO. |
| 1 | GPI_18_EVENT_EN | R/W | 0 = disable GPI events. 1 = allow GPI 18 activity to generate events on the FIFO. |
| 0 | GPI_17_EVENT_EN | R/W | 0 = disable GPI events. 1 = allow GPI 17 activity to generate events on the FIFO. |

GPI_INTERRUPT_EN_A Register 0x24**Table 44. GPI_INTERRUPT_EN_A Bit Descriptions**

| Bits | Name | R/W | Description |
|------|--------------|-----|--|
| 7 | GPI_8_INT_EN | R/W | 0 = GPI_8_INT is disable. 1 = GPI_8_INT enable. Assert the GPI_INT bit (Register 0x01, Bit 1) if GPI_8_INT is set and the GPI interrupt condition is met. |
| 6 | GPI_7_INT_EN | R/W | 0 = GPI_7_INT is disable. 1 = GPI_7_INT enable. Assert the GPI_INT bit (Register 0x01, Bit 1) if GPI_7_INT is set and the GPI interrupt condition is met. |
| 5 | GPI_6_INT_EN | R/W | 0 = GPI_6_INT is disable. 1 = GPI_6_INT enable. Assert the GPI_INT bit (Register 0x01, Bit 1) if GPI_6_INT is set and the GPI interrupt condition is met. |
| 4 | GPI_5_INT_EN | R/W | 0 = GPI_5_INT is disable. 1 = GPI_5_INT enable. Assert the GPI_INT bit (Register 0x01, Bit 1) if GPI_5_INT is set and the GPI interrupt condition is met. |
| 3 | GPI_4_INT_EN | R/W | 0 = GPI_4_INT is disable. 1 = GPI_4_INT enable. Assert the GPI_INT bit (Register 0x01, Bit 1) if GPI_4_INT is set and the GPI interrupt condition is met. |
| 2 | GPI_3_INT_EN | R/W | 0 = GPI_3_INT is disable. 1 = GPI_3_INT enable. Assert the GPI_INT bit (Register 0x01, Bit 1) if GPI_3_INT is set and the GPI interrupt condition is met. |
| 1 | GPI_2_INT_EN | R/W | 0 = GPI_2_INT is disable. 1 = GPI_2_INT enable. Assert the GPI_INT bit (Register 0x01, Bit 1) if GPI_2_INT is set and the GPI interrupt condition is met. |

| | | | |
|---|--------------|-----|--|
| 0 | GPI_1_INT_EN | R/W | 0 = GPI_1_INT is disable. 1 = GPI_1_INT enable. Assert the GPI_INT bit (Register 0x01, Bit 1) if GPI_2_INT is set and the GPI interrupt condition is met. |
|---|--------------|-----|--|

GPI_INTERRUPT_EN_B Register 0x25**Table 45. GPI_INTERRUPT_EN_B Bit Descriptions**

| Bits | Name | R/W | Description |
|------|---------------|-----|--|
| 7 | GPI_16_INT_EN | R/W | 0 = GPI_16_INT is disabled. 1 = GPI_16_INT enable. Assert the GPI_INT bit (Register 0x01, Bit 1) if GPI_16_INT is set and the GPI interrupt condition is met. |
| 6 | GPI_15_INT_EN | R/W | 0 = GPI_15_INT is disabled. 1 = GPI_15_INT enable. Assert the GPI_INT bit (Register 0x01, Bit 1) if GPI_15_INT is set and the GPI interrupt condition is met. |
| 5 | GPI_14_INT_EN | R/W | 0 = GPI_14_INT is disabled. 1 = GPI_14_INT enable. Assert the GPI_INT bit (Register 0x01, Bit 1) if GPI_14_INT is set and the GPI interrupt condition is met. |
| 4 | GPI_13_INT_EN | R/W | 0 = GPI_13_INT is disabled. 1 = GPI_13_INT enable. Assert the GPI_INT bit (Register 0x01, Bit 1) if GPI_13_INT is set and the GPI interrupt condition is met. |
| 3 | GPI_12_INT_EN | R/W | 0 = GPI_12_INT is disabled. 1 = GPI_12_INT enable. Assert the GPI_INT bit (Register 0x01, Bit 1) if GPI_12_INT is set and the GPI interrupt condition is met. |
| 2 | GPI_11_INT_EN | R/W | 0 = GPI_11_INT is disabled. 1 = GPI_11_INT enable. Assert the GPI_INT bit (Register 0x01, Bit 1) if GPI_11_INT is set and the GPI interrupt condition is met. |
| 1 | GPI_10_INT_EN | R/W | 0 = GPI_10_INT is disabled. 1 = GPI_10_INT enable. Assert the GPI_INT bit (Register 0x01, Bit 1) if GPI_10_INT is set and the GPI interrupt condition is met. |
| 0 | GPI_9_INT_EN | R/W | 0 = GPI_9_INT is disabled. 1 = GPI_9_INT enable. Assert the GPI_INT bit (Register 0x01, Bit 1) if GPI_9_INT is set and the GPI interrupt condition is met. |

GPI_INTERRUPT_EN_C Register 0x26**Table 46. GPI_INTERRUPT_EN_C Bit Descriptions**

| Bits | Name | R/W | Description |
|--------|---------------|-----|--|
| [7: 3] | | | Reserved. |
| 2 | GPI_19_INT_EN | R/W | 0 = GPI_19_INT is disabled. 1 = GPI_19_INT enable. Assert the GPI_INT bit (Register 0x01, Bit 1) if GPI_19_INT is set and the GPI interrupt condition is met. |
| 1 | GPI_18_INT_EN | R/W | 0 = GPI_18_INT is disabled. 1 = GPI_18_INT enable. Assert the GPI_INT bit (Register 0x01, Bit 1) if GPI_18_INT is set and the GPI interrupt condition is met. |
| 0 | GPI_17_INT_EN | R/W | 0 = GPI_17_INT is disabled. 1 = GPI_17_INT enable. Assert the GPI_INT bit (Register 0x01, Bit 1) if GPI_17_INT is set and the GPI interrupt condition is met. |

DEBOUNCE_DIS_A Register 0x27**Table 47. DEBOUNCE_DIS_A Bit Descriptions**

| Bits | Name | R/W | Description |
|------|---------------|-----|---|
| 7 | GPI_8_DEB_DIS | R/W | 0 = debounce enabled on GPI 8. 1 = debounce disabled on GPI 8. |
| 6 | GPI_7_DEB_DIS | R/W | 0 = debounce enabled on GPI 7. 1 = debounce disabled on GPI 7. |
| 5 | GPI_6_DEB_DIS | R/W | 0 = debounce enabled on GPI 6. 1 = debounce disabled on GPI 6. |
| 4 | GPI_5_DEB_DIS | R/W | 0 = debounce enabled on GPI 5. 1 = debounce disabled on GPI 5. |
| 3 | GPI_4_DEB_DIS | R/W | 0 = debounce enabled on GPI 4. 1 = debounce disabled on GPI 4. |
| 2 | GPI_3_DEB_DIS | R/W | 0 = debounce enabled on GPI 3. 1 = debounce disabled on GPI 3. |
| 1 | GPI_2_DEB_DIS | R/W | 0 = debounce enabled on GPI 2. 1 = debounce disabled on GPI 2. |
| 0 | GPI_1_DEB_DIS | R/W | 0 = debounce enabled on GPI 1. 1 = debounce disabled on GPI 1. |

DEBOUNCE_DIS_B Register 0x28**Table 48. DEBOUNCE_DIS_B Bit Descriptions**

| Bits | Name | R/W | Description |
|------|----------------|-----|---|
| 7 | GPI_16_DEB_DIS | R/W | 0 = debounce enabled on GPI 16. 1 = debounce disabled on GPI 16. |
| 6 | GPI_15_DEB_DIS | R/W | 0 = debounce enabled on GPI 15. 1 = debounce disabled on GPI 15. |
| 5 | GPI_14_DEB_DIS | R/W | 0 = debounce enabled on GPI 14. 1 = debounce disabled on GPI 14. |
| 4 | GPI_13_DEB_DIS | R/W | 0 = debounce enabled on GPI 13. 1 = debounce disabled on GPI 13. |
| 3 | GPI_12_DEB_DIS | R/W | 0 = debounce enabled on GPI 12. 1 = debounce disabled on GPI 12. |
| 2 | GPI_11_DEB_DIS | R/W | 0 = debounce enabled on GPI 11. 1 = debounce disabled on GPI 11. |
| 1 | GPI_10_DEB_DIS | R/W | 0 = debounce enabled on GPI 10. 1 = debounce disabled on GPI 10. |
| 0 | GPI_9_DEB_DIS | R/W | 0 = debounce enabled on GPI 9. 1 = debounce disabled on GPI 9. |

DEBOUNCE_DIS_C Register 0x29

Table 49. DEBOUNCE_DIS_C Bit Descriptions

| Bits | Name | R/W | Description |
|-------|----------------|-----|---|
| [7:3] | | | Reserved. |
| 2 | GPI_19_DEB_DIS | R/W | 0 = debounce enabled on GPI 19. 1 = debounce disabled on GPI 19. |
| 1 | GPI_18_DEB_DIS | R/W | 0 = debounce enabled on GPI 18. 1 = debounce disabled on GPI 18. |
| 0 | GPI_17_DEB_DIS | R/W | 0 = debounce enabled on GPI 17. 1 = debounce disabled on GPI 17. |

GPO_DATA_OUT_A Register 0x2A

Table 50. GPO_DATA_OUT_A Bit Descriptions

| Bits | Name | R/W | Description |
|------|------------|-----|-----------------------|
| 7 | GPO_8_DATA | R/W | 0 = low. 1 = high. |
| 6 | GPO_7_DATA | R/W | 0 = low. 1 = high. |
| 5 | GPO_6_DATA | R/W | 0 = low. 1 = high. |
| 4 | GPO_5_DATA | R/W | 0 = low. 1 = high. |
| 3 | GPO_4_DATA | R/W | 0 = low. 1 = high. |
| 2 | GPO_3_DATA | R/W | 0 = low. 1 = high. |
| 1 | GPO_2_DATA | R/W | 0 = low. 1 = high. |
| 0 | GPO_1_DATA | R/W | 0 = low. 1 = high. |

GPO_DATA_OUT_B Register 0x2B

Table 51. GPO_DATA_OUT_B Bit Descriptions

| Bits | Name | R/W | Description |
|------|-------------|-----|-----------------------|
| 7 | GPO_16_DATA | R/W | 0 = low. 1 = high. |
| 6 | GPO_15_DATA | R/W | 0 = low. 1 = high. |
| 5 | GPO_14_DATA | R/W | 0 = low. 1 = high. |
| 4 | GPO_13_DATA | R/W | 0 = low. 1 = high. |
| 3 | GPO_12_DATA | R/W | 0 = low. 1 = high. |
| 2 | GPO_11_DATA | R/W | 0 = low. 1 = high. |
| 1 | GPO_10_DATA | R/W | 0 = low. 1 = high. |
| 0 | GPO_9_DATA | R/W | 0 = low. 1 = high. |

GPO_DATA_OUT_C Register 0x2C

Table 52. GPO_DATA_OUT_C Bit Descriptions

| Bits | Name | R/W | Description |
|-------|-------------|-----|-----------------------|
| [7:3] | | | Reserved. |
| 2 | GPO_19_DATA | R/W | 0 = low. 1 = high. |
| 1 | GPO_18_DATA | R/W | 0 = low. 1 = high. |
| 0 | GPO_17_DATA | R/W | 0 = low. 1 = high. |

GPO_OUT_MODE_A Register 0x2D

Table 53. GPO_OUT_MODE_A Bit Descriptions

| Bits | Name | R/W | Description |
|------|----------------|-----|-----------------------------------|
| 7 | GPO_8_OUT_MODE | R/W | 0 = push/pull. 1 = open drain. |
| 6 | GPO_7_OUT_MODE | R/W | 0 = push/pull. 1 = open drain. |
| 5 | GPO_6_OUT_MODE | R/W | 0 = push/pull. 1 = open drain. |
| 4 | GPO_5_OUT_MODE | R/W | 0 = push/pull. 1 = open drain. |
| 3 | GPO_4_OUT_MODE | R/W | 0 = push/pull. 1 = open drain. |
| 2 | GPO_3_OUT_MODE | R/W | 0 = push/pull. 1 = open drain. |
| 1 | GPO_2_OUT_MODE | R/W | 0 = push/pull. 1 = open drain. |
| 0 | GPO_1_OUT_MODE | R/W | 0 = push/pull. 1 = open drain. |

GPO_OUT_MODE_B Register 0x2E

Table 54. GPO_OUT_MODE_B Bit Descriptions

| Bits | Name | R/W | Description |
|------|-----------------|-----|-----------------------------------|
| 7 | GPO_16_OUT_MODE | R/W | 0 = push/pull. 1 = open drain. |
| 6 | GPO_15_OUT_MODE | R/W | 0 = push/pull. 1 = open drain. |
| 5 | GPO_14_OUT_MODE | R/W | 0 = push/pull. 1 = open drain. |
| 4 | GPO_13_OUT_MODE | R/W | 0 = push/pull. 1 = open drain. |
| 3 | GPO_12_OUT_MODE | R/W | 0 = push/pull. 1 = open drain. |
| 2 | GPO_11_OUT_MODE | R/W | 0 = push/pull. 1 = open drain. |
| 1 | GPO_10_OUT_MODE | R/W | 0 = push/pull. 1 = open drain. |
| 0 | GPO_9_OUT_MODE | R/W | 0 = push/pull. 1 = open drain. |

GPO_OUT_MODE_C Register 0x2F

Table 55. GPO_OUT_MODE_C Bit Descriptions

| Bits | Name | R/W | Description |
|-------|------------|-----|-----------------------------------|
| [7:3] | | | Reserved. |
| 2 | GPO_19_DIR | R/W | 0 = push/pull. 1 = open drain. |
| 1 | GPO_18_DIR | R/W | 0 = push/pull. 1 = open drain. |
| 0 | GPO_17_DIR | R/W | 0 = push/pull. 1 = open drain. |

GPIO_DIRECTION_A Register 0x30

Table 56. GPIO_DIRECTION_A Bit Descriptions

| Bits | Name | R/W | Description |
|------|------------|-----|---|
| 7 | GPIO_8_DIR | R/W | 0 = GPIO 8 is an input. 1 = GPIO 8 is an output. |
| 6 | GPIO_7_DIR | R/W | 0 = GPIO 7 is an input. 1 = GPIO 7 is an output. |
| 5 | GPIO_6_DIR | R/W | 0 = GPIO 6 is an input. 1 = GPIO 6 is an output. |
| 4 | GPIO_5_DIR | R/W | 0 = GPIO 5 is an input. 1 = GPIO 5 is an output. |
| 3 | GPIO_4_DIR | R/W | 0 = GPIO 4 is an input. 1 = GPIO 4 is an output. |
| 2 | GPIO_3_DIR | R/W | 0 = GPIO 3 is an input. 1 = GPIO 3 is an output. |
| 1 | GPIO_2_DIR | R/W | 0 = GPIO 2 is an input. 1 = GPIO 2 is an output. |
| 0 | GPIO_1_DIR | R/W | 0 = GPIO 1 is an input. 1 = GPIO 1 is an output. |

GPIO_DIRECTION_B Register 0x31

Table 57. GPIO_DIRECTION_B Bit Descriptions

| Bits | Name | R/W | Description |
|------|-------------|-----|---|
| 7 | GPIO_16_DIR | R/W | 0 = GPIO 16 is an input. 1 = GPIO 16 is an output. |
| 6 | GPIO_15_DIR | R/W | 0 = GPIO 15 is an input. 1 = GPIO 15 is an output. |
| 5 | GPIO_14_DIR | R/W | 0 = GPIO 14 is an input. 1 = GPIO 14 is an output. |
| 4 | GPIO_13_DIR | R/W | 0 = GPIO 13 is an input. 1 = GPIO 13 is an output. |
| 3 | GPIO_12_DIR | R/W | 0 = GPIO 12 is an input. 1 = GPIO 12 is an output. |
| 2 | GPIO_11_DIR | R/W | 0 = GPIO 11 is an input. 1 = GPIO 11 is an output. |
| 1 | GPIO_10_DIR | R/W | 0 = GPIO 10 is an input. 1 = GPIO 10 is an output. |
| 0 | GPIO_9_DIR | R/W | 0 = GPIO 9 is an input. 1 = GPIO 9 is an output. |

GPIO_DIRECTION_C Register 0x32

Table 58. GPIO_DIRECTION_C Bit Descriptions

| Bits | Name | R/W | Description |
|-------|-------------|-----|---|
| [7:3] | | | Reserved. |
| 2 | GPIO_19_DIR | R/W | 0 = GPIO 19 is an input. 1 = GPIO 19 is an output. |
| 1 | GPIO_18_DIR | R/W | 0 = GPIO 18 is an input. 1 = GPIO 18 is an output. |
| 0 | GPIO_17_DIR | R/W | 0 = GPIO 17 is an input. 1 = GPIO 17 is an output. |

UNLOCK1 Register 0x33

Table 59. UNLOCK1 Bit Descriptions

| Bits | Name | R/W | Description |
|-------|---------------|-----|--|
| 7 | UNLOCK1_STATE | R/W | Defines which state the first unlock event should be For key events: 0 = not applicable; releases not used for unlock. 1 = press is used as unlock event. For GPIOs and logic outputs configured for FIFO updates: 0 = inactive event used as reset condition. 1 = active event used as reset condition. |
| [6:0] | UNLOCK1[6:0] | R/W | Defines the first event that must be detected to unlock the keypad after LOCK_EN has been set. |

UNLOCK2 Register 0x34

Table 60. UNLOCK2 Bit Descriptions

| Bits | Name | R/W | Description |
|-------|---------------|-----|--|
| 7 | UNLOCK2_STATE | R/W | Defines which state the second unlock event should be. For key events: 0 = not applicable; releases not used for unlock. 1 = press is used as unlock event. For GPIOs and logic outputs configured for FIFO updates: 0 = inactive event used as reset condition. 1 = active event used as reset condition. |
| [6:0] | UNLOCK2[6:0] | R/W | Defines the second event that must be detected to unlock the keypad after LOCK_EN has been set. |

EXT_LOCK_EVENT Register 0x35

Table 61. EXT_LOCK_EVENT Bit Descriptions

| Bits | Name | R/W | Description |
|-------|---------------------|-----|---|
| 7 | EXT_LOCK_STATE | R/W | Defines which state the lock event should be. For key events: 0 = not applicable; releases not used for unlock. 1 = press is used as unlock event. For GPIOs and logic outputs configured for FIFO updates: 0 = inactive event used as reset condition. 1 = active event used as reset condition. |
| [6:0] | EXT_LOCK_EVENT[6:0] | R/W | Defines an event that can lock the keypad. When this event is detected, LOCK_INT is set. |

UNLOCK_TIMERS Register 0x36

Table 62. UNLOCK_TIMERS Bit Descriptions

| Bits | Name | R/W | Description |
|-------|---------------------|-----|--|
| [7:3] | INT_MASK_TIMER[4:0] | R/W | If the keypad is locked and this timer is set, any key event (or GPI/logic event programmed to FIFO update) is allowed to generate an EVENT_INT interrupt. This timer then begins counting, and no further events generate an interrupt until this timer has expired (or both unlock events have occurred). 00000 = disabled. 00001 = 1 sec. 00010 = 2 sec. 11110 = 30 sec. 11111 = 31 sec. |
| [2:0] | UNLOCK_TIMER[2:0] | R/W | Defines the time in which the second unlock event must occur after the first unlock event has occurred. If the second unlock event does not occur within this time (or any other event occurs), the keypad goes back to full lock mode. 000 = disabled. 001 = 1 sec. 010 = 2 sec. 011 = 3 sec. 100 = 4 sec. 101 = 5 sec. 110 = 6 sec. 111 = 7 sec. |

LOCK_CFG Register 0x37

Table 63. LOCK_CFG Bit Descriptions

| Bits | Name | R/W | Description |
|-------|---------|-----|---------------------------|
| [7:1] | | | Reserved. |
| 0 | LOCK_EN | R/W | Enable the lock function. |

RESET1_EVENT_A Register 0x38

Table 64. RESET1_EVENT_A Bit Descriptions

| Bits | Name | R/W | Description |
|-------|----------------------|-----|---|
| 7 | RESET1_EVENT_A Level | R/W | Defines which level the first reset event should be. For key events: 0 = not applicable; releases not used for reset generation. 1 = press is used as reset event. For GPIs and logic outputs configured for FIFO updates: 0 = inactive event used as reset condition. 1 = active event used as reset condition. |
| [6:0] | RESET1_EVENT_A[6:0] | R/W | Defines an event that can be used to generate the RESET1 signal. Up to three events can be defined for generating the RESET1 signal, using RESET1_EVENT_A[6:0], RESET1_EVENT_B[6:0], and RESET1_EVENT_C[6:0]. If one of the registers is 0, that register is not used for reset generation. All reset events must be detected at the same time to trigger the reset. |

RESET1_EVENT_B Register 0x39

Table 65. RESET1_EVENT_B Bit Descriptions

| Bits | Name | R/W | Description |
|-------|----------------------|-----|--|
| 7 | RESET1_EVENT_B Level | R/W | Defines which level the second reset event should be. |
| [6:0] | RESET1_EVENT_B[6:0] | R/W | Defines an event that can be used to generate the RESET1 signal. |

RESET1_EVENT_C Register 0x3A**Table 66. RESET1_EVENT_C Bit Descriptions**

| Bits | Name | R/W | Description |
|-------|----------------------|-----|--|
| 7 | RESET1_EVENT_B Level | R/W | Defines which level the third reset event should be. |
| [6:0] | RESET1_EVENT_C[6:0] | R/W | Defines an event that can be used to generate the RESET1 signal. |

RESET2_EVENT_A Register 0x3B**Table 67. RESET2_EVENT_A Bit Descriptions**

| Bits | Name | R/W | Description |
|-------|----------------------|-----|--|
| 7 | RESET1_EVENT_B Level | R/W | Defines which level the first reset event should be. For key events: 0 = not applicable; releases not used for reset generation. 1 = press is used as reset event. For GPIOs and logic outputs configured for FIFO updates: 0 = inactive event used as reset condition. 1 = active event used as reset condition. |
| [6:0] | RESET2_EVENT_A[6:0] | R/W | Defines an event that can be used to generate the RESET2 signal. Up to two events can be defined for generating the RESET2 signal, using RESET2_EVENT_A[6:0] and RESET2_EVENT_B[6:0]. If one of the registers is 0, that register is not used for reset generation. All reset events must be detected at the same time to trigger the reset. |

RESET2_EVENT_B Register 0x3C**Table 68. RESET2_EVENT_B Bit Descriptions**

| Bits | Name | R/W | Description |
|-------|----------------------|-----|--|
| 7 | RESET1_EVENT_B Level | R/W | Defines which level the second reset event should be. |
| [6:0] | RESET2_EVENT_B[6:0] | R/W | Defines an event that can be used to generate the RESET2 signal. |

RESET_CFG Register 0x3D**Table 69. RESET_CFG Bit Descriptions**

| Bits | Name | R/W | Description |
|-------|-------------------------|-----|--|
| 7 | RESET2_POL | R/W | Sets the polarity of RESET2. 0 = RESET2 is active low. 1 = RESET2 is active high. |
| 6 | RESET1_POL | R/W | Sets the polarity of RESET1. 0 = RESET1 is active low. 1 = RESET1 is active high. |
| 5 | RST_PASSTHRU_EN | R/W | Allows the RST pin to override (OR with) the RESET1 signal. Function not applicable to RESET2. |
| [4:2] | RESET_TRIGGER_TIME[2:0] | R/W | Defines the length of time that the reset events must be active before a reset signal is generated. All events must be active at the same time for the same duration. Parameter common to both RESET1 and RESET2. 000 = immediate. 001 = 1.0 sec. 010 = 1.5 sec. 011 = 2.0 sec. 100 = 2.5 sec. 101 = 3.0 sec. 110 = 3.5 sec. 111 = 4.0 sec. |

| Bits | Name | R/W | Description |
|-------|------------------------|-----|--|
| [1:0] | RESET_PULSE_WIDTH[1:0] | R/W | Defines the pulse width of the reset signals. Parameter common to both RESET1 and RESET2. 00 = 500 μ s. 01 = 1 ms. 10 = 2 ms. 11 = 10 ms. |

ADP5589AC_Z-00-R7, ADP5589AC_Z-02-R7 Default = 0000 0000

ADP5589AC_Z-01-R7 Default = 0010 0000

PWM_OFFT_LOW Register 0x3E

Table 70. PWM_OFFT_LOW Bit Descriptions

| Bits | Name | R/W | Description |
|-------|------------------------|-----|-----------------------------------|
| [7:0] | PWM_OFFT_LOW_BYTE[7:0] | R/W | Lower eight bits of PWM off time. |

PWM_OFFT_HIGH Register 0x3F

Table 71. PWM_OFFT_HIGH Bit Descriptions

| Bits | Name | R/W | Description |
|-------|-------------------------|-----|-----------------------------------|
| [7:0] | PWM_OFFT_HIGH_BYTE[7:0] | R/W | Upper eight bits of PWM off time. |

PWM_ONT_LOW Register 0x40

Table 72. PWM_ONT_LOW Bit Descriptions

| Bits | Name | R/W | Description |
|-------|-----------------------|-----|----------------------------------|
| [7:0] | PWM_ONT_LOW_BYTE[7:0] | R/W | Lower eight bits of PWM on time. |

PWM_ONT_HIGH Register 0x41

Table 73. PWM_ONT_HIGH Bit Descriptions

| Bits | Name | R/W | Description |
|-------|------------------------|-----|--|
| [7:0] | PWM_ONT_HIGH_BYTE[7:0] | R/W | Upper eight bits of PWM on time. Note that updated PWM times are not latched until this byte is written to. PWM count times are referenced from the internal oscillator. The fastest oscillator setting is 500 kHz (1 μ s increments). Therefore, maximum on/off time is $1 \mu\text{s} \times (2^{16} - 1) = 65.5 \text{ ms}$ This gives PWM frequencies from 500 kHz down to 7.6 Hz. |

PWM_CFG Register 0x42

Table 74. PWM_CFG Bit Descriptions

| Bits | Name | R/W | Description |
|-------|------------|-----|--|
| [7:3] | | | Reserved. |
| 2 | PWM_IN_AND | R/W | AND the internally generated PWM signal with an externally supplied PWM signal (C6). |
| 1 | PWM_MODE | R/W | Defines PWM mode. 0 = continuous. 1 = one shot. If a one-shot is performed, the PWM_EN bit is automatically cleared. If a second one-shot must be performed, the user must set PWM_EN again. |
| 0 | PWM_EN | R/W | Enable PWM generator. |

CLOCK_DIV_CFG Register 0x43

Table 75. CLOCK_DIV_CFG Bit Descriptions

| Bits | Name | R/W | Description |
|--------|--------------|-----|---|
| 7 | | | Reserved. |
| 6 | CLK_INV | R/W | Inverts the divided down clock signal. |
| [5: 1] | CLK_DIV[4:0] | R/W | Defines the divide down scale of the externally supplied clock. 00000 = divide by 1 (pass-through). 00001 = divide by 2. 00010 = divide by 3. 00011 = divide by 4. 11111 = divide by 32. |
| 0 | CLK_DIV_EN | R/W | Enables the clock divider circuit to divide down the externally supplied clock signal. |

LOGIC_1_CFG Register 0x44

Table 76. LOGIC_1_CFG Bit Descriptions

| Bits | Name | R/W | Description |
|--------|-----------------|-----|--|
| 7 | | | Reserved. |
| 6 | LY1_INV | R/W | 0 = LY1 output not inverted before passing into Logic Block 1. 1 = inverts output LY1 from Logic Block 1. |
| 5 | LC1_INV | R/W | 0 = LC1 input not inverted before passing into Logic Block 1. 1 = inverts input LC1 before passing it into Logic Block 1. |
| 4 | LB1_INV | R/W | 0 = LB1 input not inverted before passing into Logic Block 1. 1 = inverts input LB1 before passing it into Logic Block 1. |
| 3 | LA1_INV | R/W | 0 = LA1 input not inverted before passing into Logic Block 1. 1 = inverts input LA1 before passing it into Logic Block 1. |
| [2: 0] | LOGIC1_SEL[2:0] | R/W | Configures the digital mux for Logic Block 1. 000 = off/disable. 001 = AND1. 010 = OR1. 011 = XOR1. 100 = FF1. 101 = IN_LA1. 110 = IN_LB1. 111 = IN_LC1. |

LOGIC_2_CFG Register 0x45

Table 77. LOGIC_2_CFG Bit Descriptions

| Bits | Name | R/W | Description |
|------|-------------|-----|---|
| 7 | LY1_CASCADE | R/W | 0 = use Input LA2 for Logic Block 2. 1 = use Output LY1 from Logic Block 1 instead of LA2 as the input for Logic Block 2. The R0 pin can be used as GPIO or key when cascade is in use. |
| 6 | LY2_INV | R/W | 0 = LY2 input not inverted before passing into Logic Block 2. 1 = inverts Output LY2 from Logic Block 2. |
| 5 | LC2_INV | R/W | 0 = LC2 input not inverted before passing into Logic Block 2. 1 = inverts Input LC2 before passing it into Logic Block 2. |
| 4 | LB2_INV | R/W | 0 = LB2 input not inverted before passing into Logic Block 2. 1 = inverts Input LB2 before passing it into Logic Block 2. |
| 3 | LA2_INV | R/W | 0 = LA2 input not inverted before passing into Logic Block 2. 1 = inverts Input LA2 before passing it into Logic Block 2. |

| Bits | Name | R/W | Description |
|--------|-----------------|-----|--|
| [2: 0] | LOGIC2_SEL[2:0] | R/W | Configures the digital mux for Logic Block 2. 000 = off/disable. 001 = AND2. 010 = OR2. 011 = XOR2. 100 = FF2. 101 = IN_LA2. 110 = IN_LB2. 111 = IN_LC2. |

LOGIC_FF_CFG Register 0x46

Table 78. LOGIC_FF_CFG Bit Descriptions

| Bits | Name | R/W | Description |
|--------|---------|-----|--|
| [7: 4] | | R/W | Reserved. |
| 3 | FF2_SET | R/W | 0 = FF2 not set in Logic Block 2. 1 = set FF2 in Logic Block 2. |
| 2 | FF2_CLR | R/W | 0 = FF2 not cleared in Logic Block 2. 1 = clear FF2 in Logic Block 2. |
| 1 | FF1_SET | R/W | 0 = FF1 not set in Logic Block 1. 1 = set FF1 in Logic Block 1. |
| 0 | FF1_CLR | R/W | 0 = FF1 not cleared in Logic Block 1. 1 = clear FF1 in Logic Block 1. |

LOGIC_INT_EVENT_EN Register 0x47

Table 79. LOGIC_INT_EVENT_EN Bit Descriptions

| Bits | Name | R/W | Description |
|--------|------------------|-----|---|
| [7: 6] | | R/W | Reserved. |
| 5 | LY2_DBNC_DIS | R/W | 0 = output of Logic Block 2 is debounced before entering the event/interrupt block. 1 = output of Logic Block 2 is not debounced before entering the event/interrupt block. Use with caution because glitches may generate interrupts prematurely. |
| 4 | LOGIC2_EVENT_EN | R/W | 0 = LY2 cannot generate interrupt. 1 = allow LY2 activity to generate events on the FIFO. |
| 3 | LOGIC2_INT_LEVEL | R/W | Configure the logic level of LY2 that generates an interrupt. 0 = LY2 is active low. 1 = LY2 is active high. |
| 2 | LY1_DBNC_DIS | R/W | 0 = output of Logic Block 1 is debounced before entering the event/interrupt block. 1 = output of Logic Block 1 is not debounced before entering the event/interrupt block. Use with caution because glitches may generate interrupts prematurely. |
| 1 | LOGIC1_EVENT_EN | R/W | 0 = LY1 cannot generate interrupt. 1 = allow LY1 activity to generate events on the FIFO. |
| 0 | LOGIC1_INT_LEVEL | R/W | Configure the logic level of LY1 that generates an interrupt. 0 = LY1 is active low. 1 = LY1 is active high. |

POLL_TIME_CFG Register 0x48

Table 80. POLL_TIME_CFG Bit Descriptions

| Bits | Name | R/W | Description |
|--------|--------------------|-----|---|
| [7: 2] | | | Reserved. |
| [1: 0] | KEY_POLL_TIME[1:0] | R/W | Configure time between consecutive scan cycles. 00 = 10 ms. 01 = 20 ms. 10 = 30 ms. 11 = 40 ms. |

PIN_CONFIG_A Register 0x49**Table 81. PIN_CONFIG_A Bit Descriptions**

| Bits | Name | R/W | Description |
|------|-----------|-----|--|
| 7 | R7_CONFIG | R/W | 0 = GPIO 8. 1 = Row 7. |
| 6 | R6_CONFIG | R/W | 0 = GPIO 7. 1 = Row 6. |
| 5 | R5_CONFIG | R/W | 0 = GPIO 6. 1 = Row 5. |
| 4 | R4_CONFIG | R/W | 0 = GPIO 5 (see R4_EXTEND_CFG in PIN_CONFIG_D Register 0x4C Table 84 for alternate configuration, RESET1). 1 = Row 4. |
| 3 | R3_CONFIG | R/W | 0 = GPIO 4 (see R3_EXTEND_CFG[1:0] in PIN_CONFIG_D Register 0x4C Table 84 for alternate configuration, LC1/PWM_OUT/CLK_OUT). 1 = Row 3. |
| 2 | R2_CONFIG | R/W | 0 = GPIO 3. 1 = Row 2. |
| 1 | R1_CONFIG | R/W | 0 = GPIO 2. 1 = Row 1. |
| 0 | R0_CONFIG | R/W | 0 = GPIO 1 (see R0_EXTEND_CFG in PIN_CONFIG_D Register 0x4C Table 84 for alternate configuration, LY1). 1 = Row 0. |

PIN_CONFIG_B Register 0x4A**Table 82. PIN_CONFIG_B Bit Descriptions**

| Bits | Name | R/W | Description |
|------|-----------|-----|--|
| 7 | C7_CONFIG | R/W | 0 = GPIO 16. 1 = Column 7. |
| 6 | C6_CONFIG | R/W | 0 = GPIO 15 (see C6_EXTEND_CFG in PIN_CONFIG_D Register 0x4C Table 84 for alternate configuration, LC2). 1 = Column 6. |
| 5 | C5_CONFIG | R/W | 0 = GPIO 14. 1 = Column 5. |
| 4 | C4_CONFIG | R/W | 0 = GPIO 13 (see C4_EXTEND_CFG in PIN_CONFIG_D Register 0x4C Table 84 for alternate configuration, RESET2). 1 = Column 4. |
| 3 | C3_CONFIG | R/W | 0 = GPIO 12. 1 = Column 3. |
| 2 | C2_CONFIG | R/W | 0 = GPIO 11. 1 = Column 2. |
| 1 | C1_CONFIG | R/W | 0 = GPIO 10. 1 = Column 1. |
| 0 | C0_CONFIG | R/W | 0 = GPIO 9. 1 = Column 0. |

PIN_CONFIG_C Register 0x4B**Table 83. PIN_CONFIG_C Bit Descriptions**

| Bits | Name | R/W | Description |
|-------|------------|-----|---|
| [7:3] | | | Reserved. |
| 2 | C10_CONFIG | R/W | 0 = GPIO 19. 1 = Column 10. |
| 1 | C9_CONFIG | R/W | 0 = GPIO 18 (see C9_EXTEND_CFG in PIN_CONFIG_D Register 0x4C Table 84 for alternate configuration, LY2). 1 = Column 9. |
| 0 | C8_CONFIG | R/W | 0 = GPIO 17. 1 = Column 8. |

PIN_CONFIG_D Register 0x4C**Table 84. PIN_CONFIG_D Bit Descriptions**

| Bits | Name | R/W | Description |
|-------|--------------------|-----|---|
| 7 | PULL_SELECT | R/W | 0 = 300 kΩ used for row pull-up during key scanning. 1 = 100 kΩ used for row pull-up during key scanning. |
| 6 | C4_EXTEND_CFG | R/W | 0 = C4 remains configured as GPIO 13. 1 = C4 reconfigured as RESET2 output. |
| 5 | R4_EXTEND_CFG | R/W | 0 = R4 remains configured as GPIO 5. 1 = R4 reconfigured as RESET1 output. |
| 4 | C6_EXTEND_CFG | R/W | 0 = C6 remains configured as GPIO 15. 1 = C6 reconfigured as LC2 input for Logic Block 2. |
| [3:2] | R3_EXTEND_CFG[1:0] | R/W | 00 = R3 remains configured as GPIO 4. 01 = R3 reconfigured as LC1 input for Logic Block 1. 10 = R3 reconfigured as PWM_OUT/CLK_OUT outputs from PWM and clock divider blocks. 11 = unused. |
| 1 | C9_EXTEND_CFG | R/W | 0 = C9 remains configured as GPIO 18. 1 = C9 reconfigured as LY2 output from Logic Block 2. |
| 0 | R0_EXTEND_CFG | R/W | 0 = R0 remains configured as GPIO 1. 1 = R0 reconfigured as LY1 output from Logic Block 1. |

ADP5589AC_Z-00-R7, ADP5589AC_Z-02-R7 Default = 0000 0000

ADP5589AC_Z-01-R7 Default = 0010 0000

GENERAL_CFG_B Register 0x4D**Table 85. GENERAL_CFG_B Bit Descriptions**

| Bits | Name | R/W | Description |
|-------|----------------|-----|---|
| 7 | OSC_EN | R/W | 0 = disable internal 1 MHz oscillator. 1 = enable internal 1 MHz oscillator. |
| [6:5] | CORE_FREQ[1:0] | R/W | Sets the input clock frequency fed from the base 1 MHz oscillator to the digital core. Slower frequencies result in less I _{DD} . However, key and GPI scan times increase. 00 = 50 kHz. 01 = 100 kHz. 10 = 200 kHz. 11 = 500 kHz. |
| 4 | LCK_TRK_LOGIC | R/W | 0 = allow logic outputs (programmed for FIFO updates) to be tracked on the FIFO if the keypad is locked. 1 = do not track. |
| 3 | LCK_TRK_GPI | R/W | 0 = allow GPIs (programmed for FIFO updates) to be tracked on the FIFO if the keypad is locked. 1 = do not track. |
| 2 | | | Unused |
| 1 | INT_CFG | R/W | Configure the behavior of the INT pin if the user tries to clear it while an interrupt is pending. 0 = INT pin remains asserted if an interrupt is pending. 1 = INT pin deasserts for 50 μs and reasserts if an interrupt is pending. |
| 0 | RST_CFG | R/W | Configure the response ADP5589 has to the RST pin. 0 = ADP5589 resets if RST is low. 1 = ADP5589 does not reset if RST is low. |

INT_EN Register 0x4E**Table 86. INT_EN Bit Descriptions**

| Bits | Name | R/W | Description |
|-------|-------------|-----|--|
| [7:6] | | | Reserved. |
| 5 | LOGIC2_IEN | R/W | 0 = Logic 2 interrupt is disabled. 1 = assert the $\overline{\text{INT}}$ pin if LOGIC2_INT is set. |
| 4 | LOGIC1_IEN | R/W | 0 = Logic 1 interrupt is disabled. 1 = assert the $\overline{\text{INT}}$ pin if LOGIC1_INT is set. |
| 3 | LOCK_IEN | R/W | 0 = lock interrupt is disabled. 1 = assert the $\overline{\text{INT}}$ pin if LOCK_INT is set. |
| 2 | OVRFLOW_IEN | R/W | 0 = overflow interrupt is disabled. 1 = assert the $\overline{\text{INT}}$ pin if OVRFLOW_INT is set. |
| 1 | GPI_IEN | R/W | 0 = GPI interrupt is disabled. 1 = assert the $\overline{\text{INT}}$ pin if GPI_INT is set. |
| 0 | EVENT_IEN | R/W | 0 = event interrupt is disabled. 1 = assert the $\overline{\text{INT}}$ pin if EVENT_INT is set. |

APPLICATION DIAGRAM

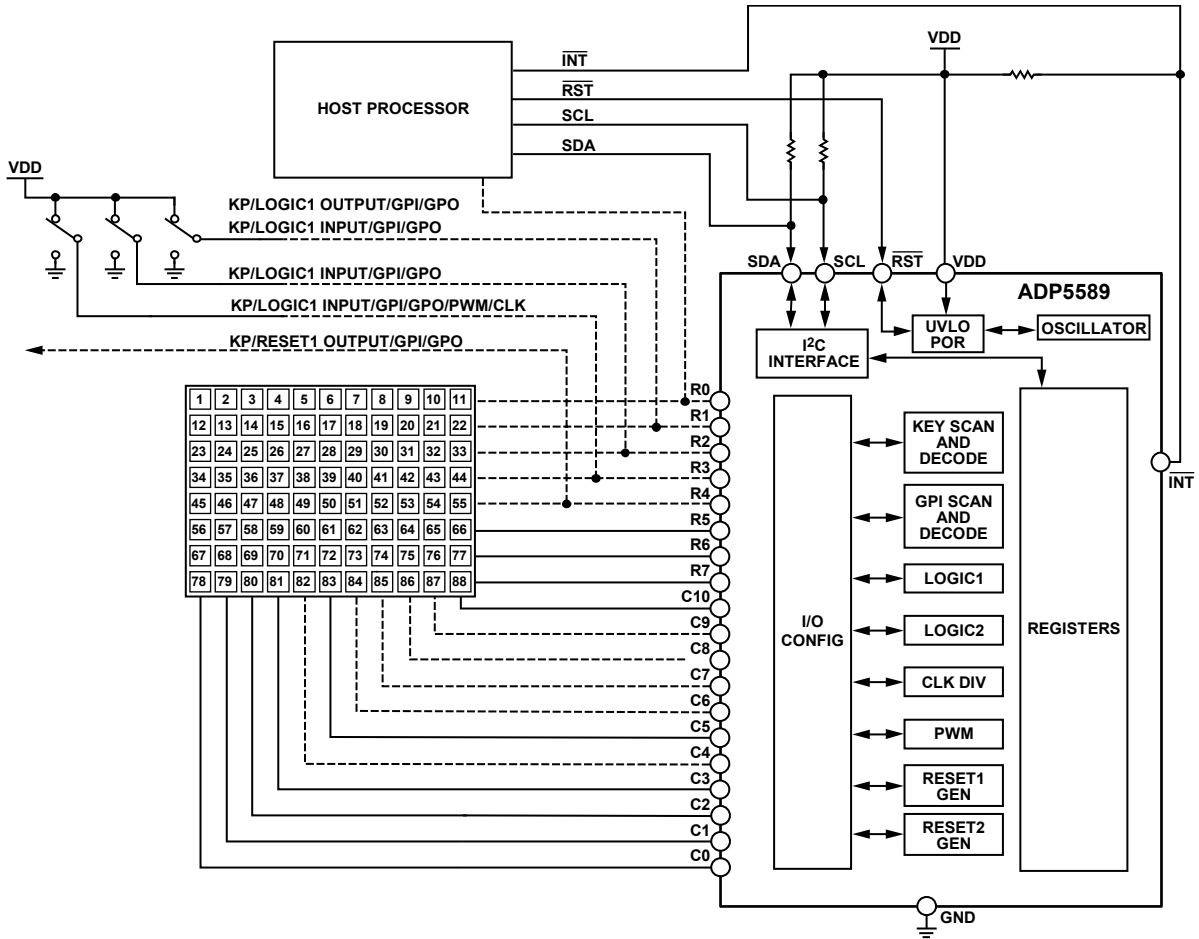
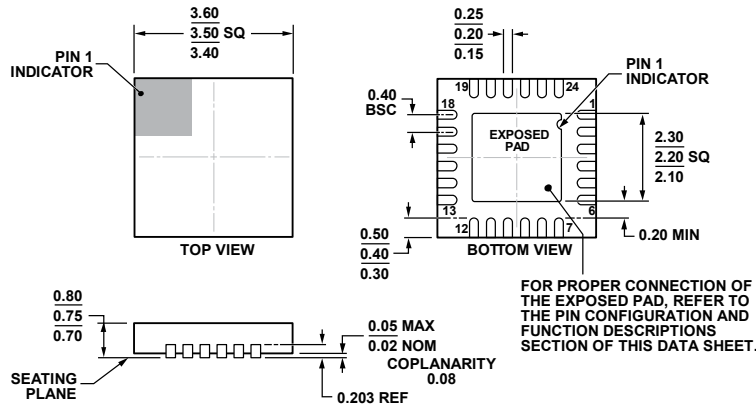


Figure 31. Typical Configuration

06714-030

OUTLINE DIMENSIONS



COMPLIANT TO JEDEC STANDARDS MO-220-WFFE.
 Figure 32. 24-Lead Lead Frame Chip Scale Package [LFCSP_WQ]
 3.5 mm x 3.5 mm Body, Very Very Thin Quad
 (CP-24-11)
 Dimensions shown in millimeters

04-13-2012-A

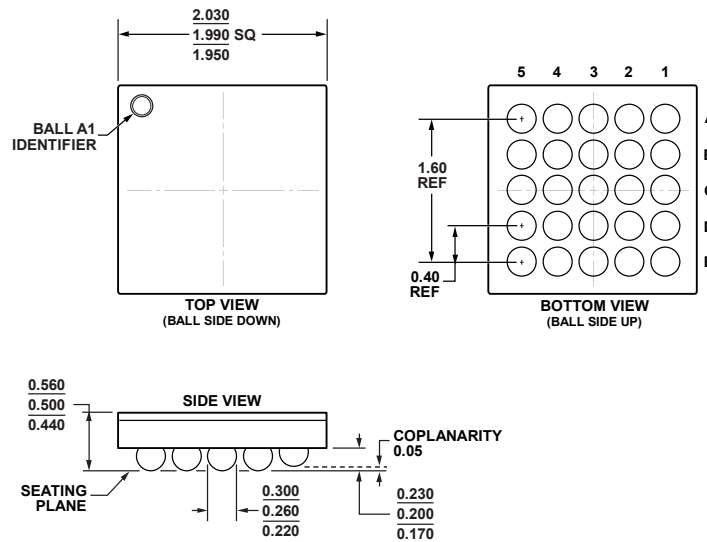


Figure 33. 25-Ball Wafer Level Chip Scale Package [WLCSP]
 (CB-25-5)
 Dimensions shown in millimeters

11-02-2012-A

ORDERING GUIDE

| Model ¹ | Temperature Range | Package Description | Package Option |
|--------------------|-------------------|---|----------------|
| ADP5589ACPZ-00-R7 | -40°C to +85°C | 24-Lead Lead Frame Chip Scale Package[LFCSP_WQ] | CP-24-11 |
| ADP5589ACPZ-01-R7 | -40°C to +85°C | 24-Lead Lead Frame Chip Scale Package[LFCSP_WQ] | CP-24-11 |
| ADP5589ACPZ-02-R7 | -40°C to +85°C | 24-Lead Lead Frame Chip Scale Package[LFCSP_WQ] | CP-24-11 |
| ADP5589ACBZ-00-R7 | -40°C to +85°C | 25-Ball Wafer Level Chip Scale Package[WLCSP] | CB-25-5 |
| ADP5589ACBZ-01-R7 | -40°C to +85°C | 25-Ball Wafer Level Chip Scale Package[WLCSP] | CB-25-5 |
| ADP5589ACBZ-02-R7 | -40°C to +85°C | 25-Ball Wafer Level Chip Scale Package[WLCSP] | CB-25-5 |
| ADP5589CP-EVALZ | | Evaluation Board | |

¹ Z = RoHS Compliant Part.

NOTES

NOTES

NOTES

I²C refers to a communications protocol originally developed by Philips Semiconductors (now NXP Semiconductors).

©2011–2013 Analog Devices, Inc. All rights reserved. Trademarks and registered trademarks are the property of their respective owners.
D09714-0-1/13(B)



www.analog.com

X-ON Electronics

Largest Supplier of Electrical and Electronic Components

Click to view similar products for [Interface Development Tools](#) category:

Click to view products by [Analog Devices](#) manufacturer:

Other Similar products are found below :

[CY4607M](#) [DP130SSEVM](#) [ISO3086TEVM-436](#) [SP338EER1-0A-EB](#) [ADM00276](#) [ADP5585CP-EVALZ](#) [PEX8724-CA RDK](#) [PEX 8732-CA RDK](#) [PEX8747-CA RDK](#) [CHA2066-99F](#) [AS8650-DB](#) [MLX80104 TESTINTERFACE](#) [I2C-CPEV/NOPB](#) [ISO35TEVM-434](#) [KIT33978EKEVB](#) [XR17D158CV-0A-EVB](#) [XR17V358/SP339-E4-EB](#) [XR18910ILEVB](#) [XR22804IL56-0A-EB](#) [ZSC31050KIT V3.1](#) [ZSC31150KIT V1.2](#) [SCRUBBER-EVM](#) [SI838XISO-KIT](#) [73931-3022](#) [XIO2200AEVM](#) [XIB-E](#) [XBIB-U-SP](#) [TW-DONGLE-USB](#) [EVAL-ADM2483EBZ](#) [EVAL-ADM2491EEBZ](#) [ATUSB-PCB-80146](#) [EVB-USB83340](#) [MAX9921EVKIT](#) [MAXREFDES23DB#](#) [MAX9291COAXEVKIT#](#) [MAX3535EEVKIT+](#) [MAX3100EVKIT](#) [MAX13235EEVKIT](#) [MAX14970EVKIT#](#) [MAX14826EVKIT#](#) [3298](#) [XR21B1424IV64-0A-EVB](#) [XR21B1421IL24-0A-EVB](#) [XTIB-U](#) [XR17D152CM-0A-EVB](#) [XR22802IL56-0A-EB](#) [9291COAXEVKIT#](#) [XTIB-R](#) [SERDESUR-43USBNOPB](#) [CMAXQUSB+](#)