

CD4511BM/CD4511BC BCD-to-7 Segment Latch/Decoder/Driver

General Description

The CD4511B BCD-to-seven segment latch/ decoder/driver is constructed with complementary MOS (CMOS) enhancement mode devices and NPN bipolar out- put drivers in a single monolithic structure. The circuit pro- vides the functions of a 4-bit storage latch, an 8421 BCD-to-seven segment decoder, and an output drive capability. Lamp test (LT), blanking (BI), and latch enable (LE) inputs are used to test the display, to turn-off or pulse modulate the brightness of the display, and to store a BCD code, respectively. It can be used with seven-segment light emit- ting diodes (LED), incandescent, fluorescent, gas discharge, or liquid crystal readouts either directly or indirectly.

Applications include instrument (e.g., counter, DVM, etc.) display driver, computer/calculator display driver, cockpitdisplay driver, and various clock, watch, and timer uses.

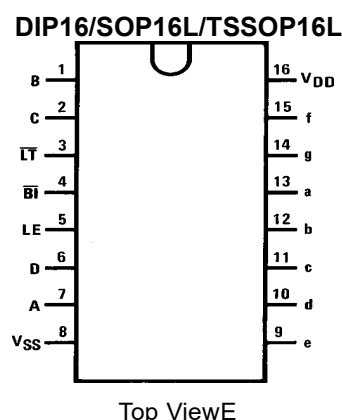
Features

- Low logic circuit power dissipation
- High current sourcing outputs (up to 25 mA)
- Latch storage of code
- Blanking input
- Lamp test provision
- Lamp intensity modulation capability
- Time share (multiplexing) facility
- Equivalent to Motorola MC14511

ORDERING INFORMATION

DEVICE	Package Type	MARKING	Packing	Packing Qty
CD4511BEG	DIP-16L	CD4511BE	TUBE	1000pcs/box
CD4511BDRG	SOP-16L	CD4511B	REEL	2500pcs/reel
CD4511BPWRG	TSSOP-16L	CD4511B	REEL	2500pcs/reel

Connection Diagram

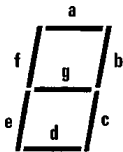


Truth Table

Inputs							Outputs							
LE	BI	LT	D	C	B	A	a	b	c	d	e	f	g	Display
X	X	0	X	X	X	X	1	1	1	1	1	1	1	B
X	0	1	X	X	X	X	0	0	0	0	0	0	0	
0	1	1	0	0	0	0	1	1	1	1	1	1	0	0
0	1	1	0	0	0	1	0	1	1	0	0	0	0	1
0	1	1	0	0	1	0	1	1	0	1	1	0	1	2
0	1	1	0	0	1	1	1	1	1	0	0	0	1	3
0	1	1	0	1	0	0	0	1	1	0	0	1	1	4
0	1	1	0	1	0	1	1	0	1	1	0	1	1	5
0	1	1	0	1	1	0	0	0	1	1	1	1	1	6
0	1	1	0	1	1	1	1	1	1	0	0	0	0	7
0	1	1	1	0	0	0	1	1	1	1	1	1	1	8
0	1	1	1	0	0	1	1	1	1	0	0	1	1	9
0	1	1	1	0	1	0	0	0	0	0	0	0	0	
0	1	1	1	0	1	1	0	0	0	0	0	0	0	
0	1	1	1	1	0	0	0	0	0	0	0	0	0	
0	1	1	1	1	0	1	0	0	0	0	0	0	0	
0	1	1	1	1	1	0	0	0	0	0	0	0	0	
0	1	1	1	1	1	1	0	0	0	0	0	0	0	
1	1	1	X	X	X	X				*				*

X-Don't Care

*Depends upon the BCD code applied during the 0 to 1 transition of LE.

Segment Identification

Display

Absolute Maximum Ratings

DC Supply Voltage (V_{DD}).....	-0.5V to a18V
Input Voltage (V_{IN}).....	-05V to VDD a0.5V
Power Dissipation (P_D)	
Storage Temperature Range (T_S).....	-b65°C to a150°C
Dual-In-Line	700 mW
Small Outline	500 mW
Lead Temperature (T_L)	
(Soldering, 10 seconds).....	260°C

Recommended Operating Conditions (Note2)

DC Supply Voltage (V_{DD}).....	5V to 15V
Input Voltage (V_{IN}).....	0V to VDD
Operating Temperature Range (T_A).....	-40°C to +85°C

DC Electrical Characteristics

Symbol	Parameter	Conditions	-40°C		+25°C			+85°C		Units
			Min	Max	Min	Typ	Max	Min	Max	
IDD	Quiescent Supply Current	VDD=5V, VIN=VDD or VSS		5			5		150	mA
		VDD=10V, VIN = VDD or VSS		10			10		300	mA
		VDD=15V, VIN = VDD or VSS		20			20		600	mA
VOL	Output Voltage Logical "0" Level	VDD=5V		0.01		0	0.01		0.05	V
		VDD=10V		0.01		0	0.01		0.05	
		VDD=15V		0.01		0	0.01		0.05	
VOH	Output Voltage Logical "1" Level	VDD=5V	4.1		4.1	4.57		4.1		V
		VDD=10V	9.1		9.1	9.58		9.1		
		VDD=15V	14.1		14.1	14.59		14.1		
VIL	Low Level Input Voltage	VDD=5V, VOUT= 3.8V or 0.5V		1.5		2	1.5		1.5	V
		VDD=10V, VOUT=8.8V or 1.0V		3.0		4	3.0		3.0	
		VDD=15V, VOUT=13.8V or 1.5V		4.0		6	4.0		4.0	
VIH	High Level Input Voltage	VDD=5V, VOUT=0.5V or 3.8V	3.5		3.5	3		3.5		V
		VDD=10V, VOUT=1.0V or 8.8V	7.0		7.0	6		7.0		
		VDD=15V, VOUT=1.5V or 13.8V	11.0		11.0	9		11.0		
VOH	Output (Source) Drive Voltage	VDD=5V, IOH=0 mA				4.57				V
		VDD=5V, IOH=5 mA	4.1		4.1	4.24		4.1		
		VDD=5V, IOH=10 mA	3.9		3.9	4.12		3.5		
		VDD=5V, IOH=15 mA	3.4		3.4	3.94		3.0		
		VDD=5V, IOH=20 mA				3.75				
		VDD=5V, IOH=25 mA				3.54				
		VDD=10V, IOH=0 mA				9.58				V
		VDD=10V, IOH=5 mA	9.1		9.1	9.26		9.1		
		VDD=10V, IOH=10 mA	9.0		9.0	9.17		8.6		
		VDD=10V, IOH=15 mA	8.6		8.6	9.04		8.2		
		VDD=10V, IOH=20 mA				8.9				
		VDD=10V, IOH=25 mA				8.75				
VDD=15V, IOH=0 mA				9.58				V		
VDD=15V, IOH=5 mA	14.1		14.1	14.27		14.1				
VDD=15V, IOH=10 mA	14.0		14.0	14.17		13.6				
VDD=15V, IOH=15 mA	13.6		13.6	14.07		13.2				
VDD=15V, IOH=20 mA				13.95						
VDD=15V, IOH=25 mA				13.8						
IOL	Low Level Output Current	VDD=5V, VOL= 0.4V	0.64		0.51	0.88		0.36		mA
		VDD=10V, VOL= 0.5V	1.6		1.3	2.25		0.9		
		VDD=15V, VOL=1.5V	4.2		3.4	8.8		2.4		
IIN	Input Current	VDD=15V, VIN= 0V		-0.10		-10-5	-0.10		-1.0	μA
		VDD=15V, VIN=5V		0.10		10-5	0.10		1.0	μA

Note1: Devices should not be connected with power on.

DC Electrical Characteristics

Symbol	Parameter	Conditions	-40°C		+25°C			+85°C		Units
			Min	Max	Min	Typ	Max	Min	Max	
I _{DD}	Quiescent Supply Current	V _{DD} —5V		20			20		150	μA
		V _{DD} —10V		40			40		300	
		V _{DD} —15V		80			80		600	
V _{OL}	Output Voltage Logical “0” Level	V _{DD} —5V		0.01		0	0.01		0.05	V
		V _{DD} —10V		0.01		0	0.01		0.05	
		V _{DD} —15V		0.01		0	0.01		0.05	
V _{OH}	Output Voltage Logical “1” Level	V _{DD} —5V	4.1		4.1	4.57		4.1		V
		V _{DD} —10V	9.1		9.1	9.58		9.1		
		V _{DD} —15V	14.1		14.1	14.59		14.1		
V _{IL}	Low Level Input Voltage	V _{DD} —5V, V _{OUT} —3.8V or 0.5V		1.5		2	1.5		1.5	V
		V _{DD} —10V, V _{OUT} —8.8V or 1.0V		3.0		4	3.0		3.0	
		V _{DD} —15V, V _{OUT} —13.8V or 1.5V		4.0		6	4.0		4.0	
V _{IH}	High Level Input Voltage	V _{DD} —5V, V _{OUT} —0.5V or 3.8V	3.5		3.5	3		3.5		V
		V _{DD} —10V, V _{OUT} —1.0V or 8.8V	7.0		7.0	6		7.0		
		V _{DD} —15V, V _{OUT} —1.5V or 13.8V	11.0		11.0	9		11.0		
V _{OH}	Output (Source) Drive Voltage	V _{DD} —5V, I _{OH} —0 mA				4.57				V
		V _{DD} —5V, I _{OH} —5 mA	4.1		4.1	4.24		4.1		
		V _{DD} —5V, I _{OH} —10 mA	3.6		3.6	4.12		3.3		
		V _{DD} —5V, I _{OH} —15 mA	2.8		2.8	3.94		2.5		
		V _{DD} —5V, I _{OH} —20 mA				3.75				
		V _{DD} —5V, I _{OH} —25 mA				3.54				
		V _{DD} —10V, I _{OH} —0 mA				9.58				V
		V _{DD} —10V, I _{OH} —5 mA	9.1		9.1	9.26		9.1		
		V _{DD} —10V, I _{OH} —10 mA	8.75		8.75	9.17		8.45		
		V _{DD} —10V, I _{OH} —15 mA	8.1		8.1	9.04		7.8		
		V _{DD} —10V, I _{OH} —20 mA				8.9				
		V _{DD} —10V, I _{OH} —25 mA				8.75				
		V _{DD} —15V, I _{OH} —0 mA				14.59				V
		V _{DD} —15V, I _{OH} —5 mA	14.1		14.1	14.27		14.1		
		V _{DD} —15V, I _{OH} —10 mA	13.75		13.75	14.18		13.45		
V _{DD} —15V, I _{OH} —15 mA	13.1		13.1	14.07		12.8				
V _{DD} —15V, I _{OH} —20 mA				13.95						
V _{DD} —15V, I _{OH} —25 mA				13.8						
I _{OL}	Low Level Output Current	V _{DD} —5V, V _{OL} —0.4V	0.52		0.44	0.88		0.36		mA
		V _{DD} —10V, V _{OL} —0.5V	1.3		1.1	2.25		0.9		
		V _{DD} —15V, V _{OL} —1.5V	3.6		3.0	8.8		2.4		
I _{IN}	Input Current	V _{DD} —15V, V _{IN} —0V		-0.30		-10-5	-0.30		-10	μA
		V _{DD} —15V, V _{IN} —15V		0.30		10-5	0.30		1.0	

AC Electrical Characteristics*

T_A = -25°C and C_L = 50 pF, typical temperature coefficient for all values of V_{DD} = 0.3%/°C

Symbol	Parameter	Conditions	CD4511B			Units
			Min	Typ	Max	
C _{IN}	Input Capacitance	V _{IN} =0		5.0	7.5	pF
t _r	Output Rise Time (Figure 1a)	V _{DD} =5V V _{DD} =10V V _{DD} =15V		40 30 25	80 60 50	ns
t _f	Output Fall Time (Figure 1a)	V _{DD} =5V V _{DD} =10V V _{DD} =15V		125 75 65	250 150 130	ns
t _{PLH}	Turn-Off Delay Time (Data) (Figure 1a)	V _{DD} =5V V _{DD} =10V V _{DD} =15V		640 250 175	1280 500 350	ns
t _{PHL}	Turn-On Delay Time (Data) (Figure 1a)	V _{DD} =5V V _{DD} =10V V _{DD} =15V		720 290 195	1440 580 400	ns
t _{PLH}	Turn-Off Delay Time (Blank) (Figure 1a)	V _{DD} =5V V _{DD} =10V V _{DD} =15V		320 130 100	640 260 200	ns
t _{PHL}	Turn-On Delay Time (Blank) (Figure 1a)	V _{DD} =5V V _{DD} =10V V _{DD} =15V		485 200 160	970 400 320	ns
t _{PLH}	Turn-Off Delay Time (Lamp Test) (Figure 1a)	V _{DD} =5V V _{DD} =10V V _{DD} =15V		313 125 90	625 250 180	ns
t _{PHL}	Turn-On Delay Time (Lamp Test) (Figure 1a)	V _{DD} =5V V _{DD} =10V V _{DD} =15V		313 125 90	625 250 180	ns
t _{SETUP}	Setup Time (Figure 1b)	V _{DD} =5V V _{DD} =10V V _{DD} =15V	180 76 40	90 38 20		ns
t _{HOLD}	Hold Time (Figure 1b)	V _{DD} =5V V _{DD} =10V V _{DD} =15V	0 0 0	-90 -38 -20		ns
PWLE	Minimum Latch Enable Pulse Width (Figure 1c)	V _{DD} =5V V _{DD} =10V V _{DD} =15V	520 220 130	260 110 65		ns

*AC Parameters are guaranteed by DC correlated testing.

Switching Time Waveforms

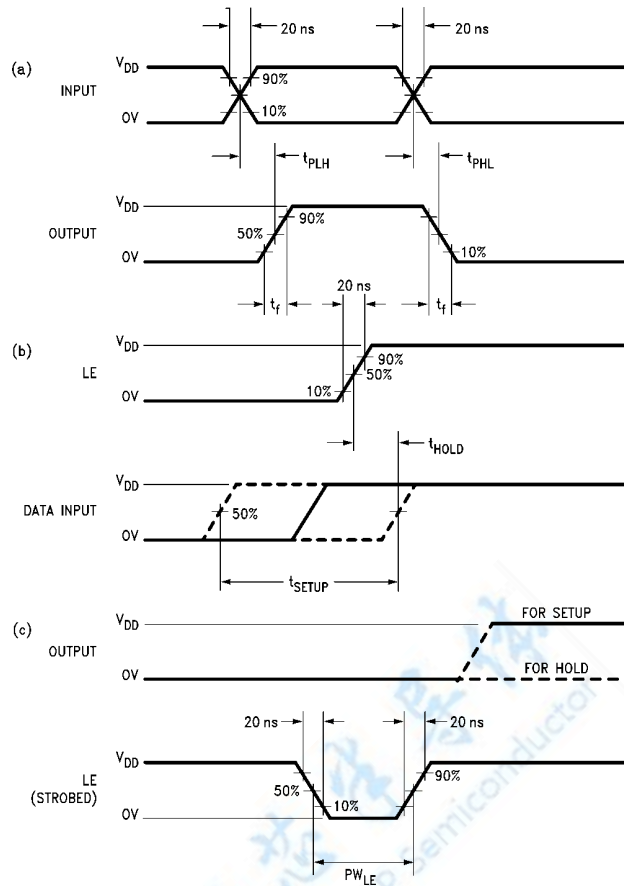
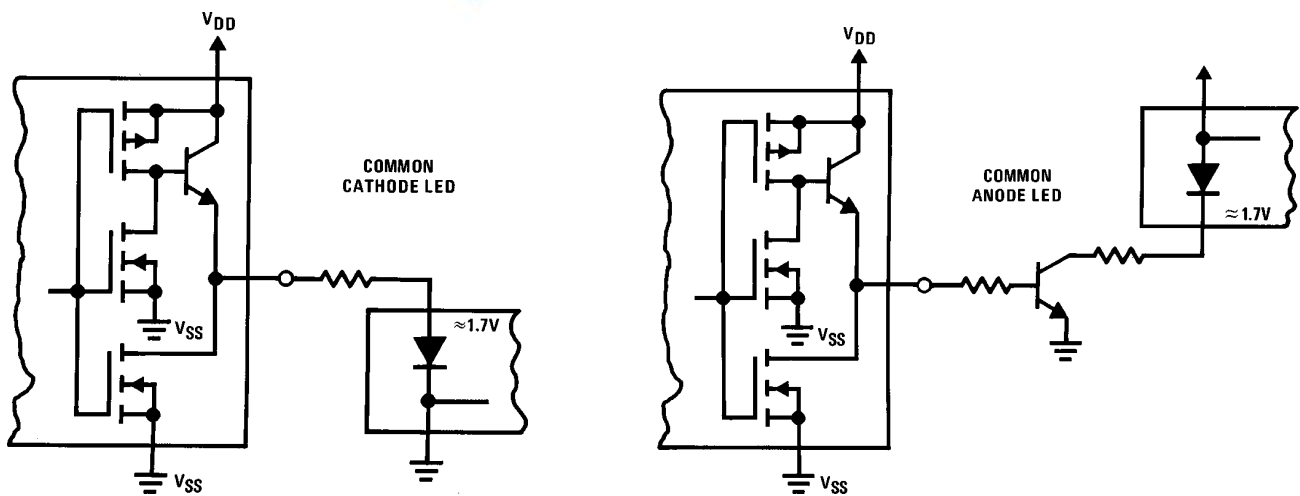


FIGURE 1

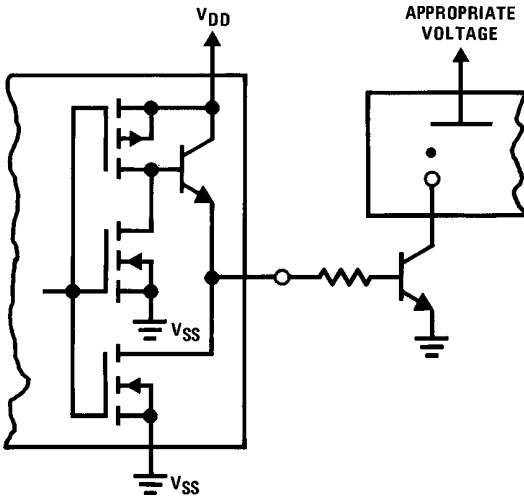
Typical Applications

Light Emitting Diode (LED) Readout

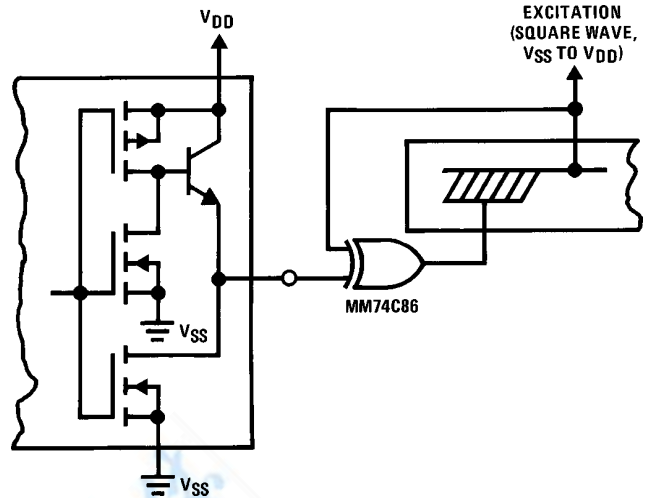


Typical Applications (Continued)

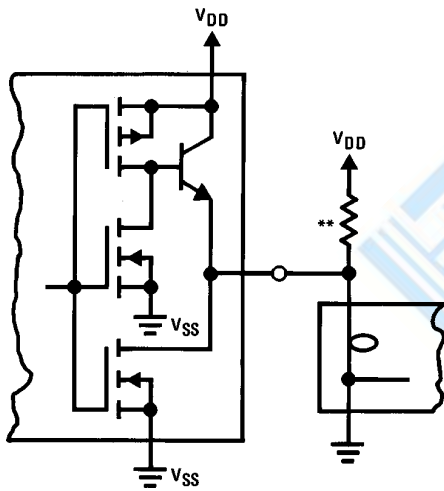
Gas Discharge Readout



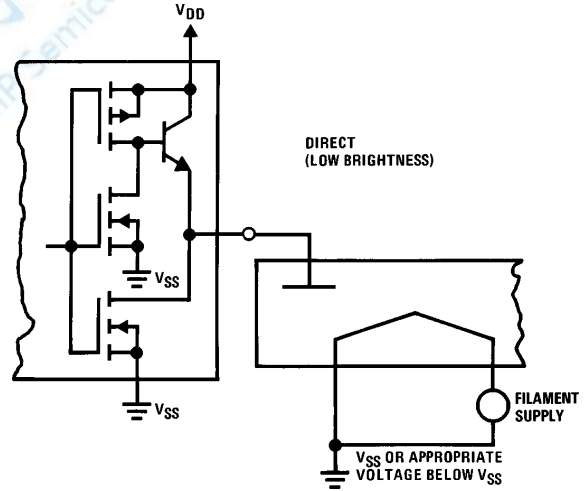
Liquid Crystal (LC) Readout



Incandescent Readout



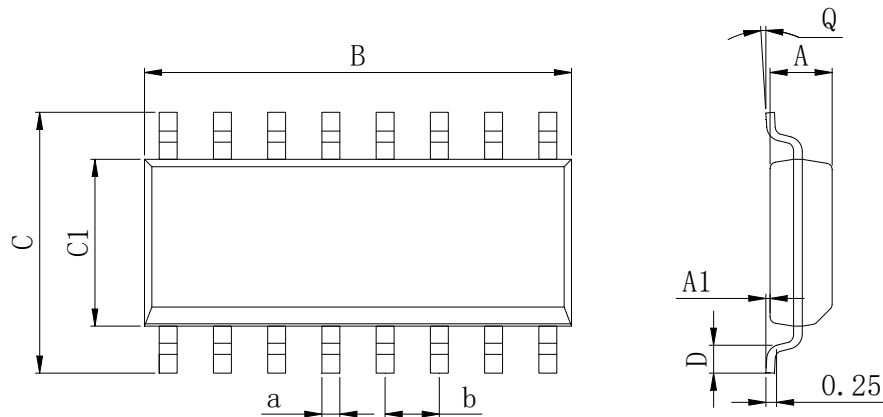
Fluorescent Readout



**A filament pre-warm resistor is recommended to reduce filament thermal shock and increase the effective cold resistance of the filament.

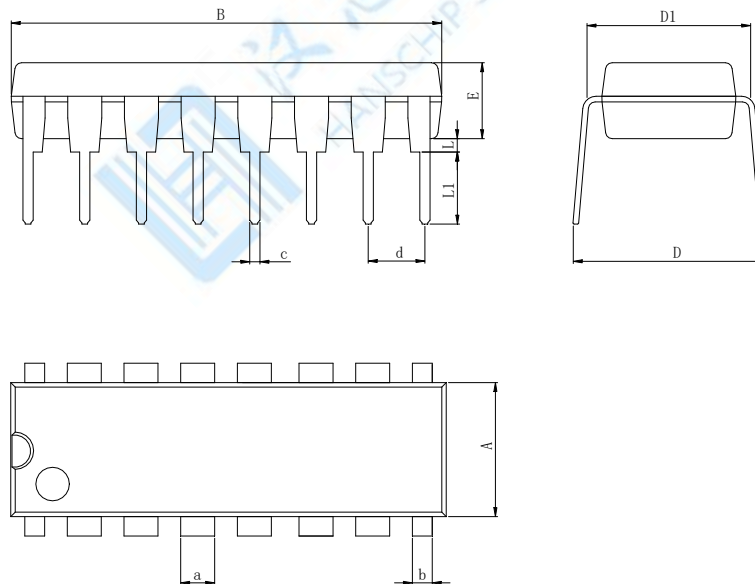
Physical Dimensions

SOP-16L



Dimensions In Millimeters(SOP16L)									
Symbol:	A	A1	B	C	C1	D	Q	a	b
Min:	1.35	0.05	9.80	5.80	3.80	0.40	0°	0.35	1.27 BSC
Max:	1.55	0.20	10.0	6.20	4.00	0.80	8°	0.45	

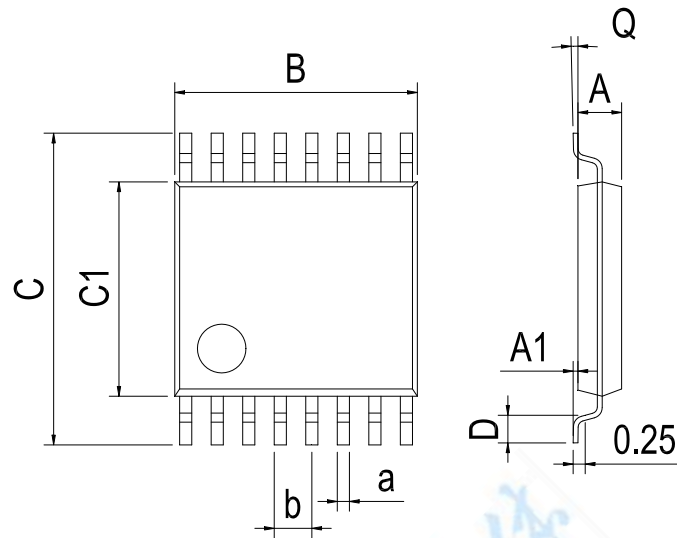
DIP-16



Dimensions In Millimeters(DIP16L)											
Symbol:	A	B	D	D1	E	L	L1	a	b	c	d
Min:	6.10	18.94	8.40	7.42	3.10	0.50	3.00	1.50	0.85	0.40	2.54 BSC
Max:	6.68	19.56	9.00	7.82	3.55	0.70	3.60	1.55	0.90	0.50	

Physical Dimensions

TSSOP-16L


Dimensions In Millimeters(TSSOP16L)

Symbol:	A	A1	B	C	C1	D	Q	a	b
Min:	0.85	0.05	4.90	6.20	4.30	0.40	0°	0.20	0.65 BSC
Max:	0.95	0.20	5.10	6.60	4.50	0.80	8°	0.25	

IMPORTANT STATEMENT:

Shenzhen Hanschip semiconductor co.,ltd. reserves the right to change the products and services provided without notice. Customers should obtain the latest relevant information before ordering, and verify the timeliness and accuracy of this information.

Customers are responsible for complying with safety standards and taking safety measures when using our products for system design and machine manufacturing to avoid potential risks that may result in personal injury or property damage.

Our products are not licensed for applications in life support, military, aerospace, etc., so we do not bear the consequences of the application of these products in these fields.

Our documentation is only permitted to be copied without any tampering with the content, so we do not accept any responsibility or liability for the altered documents.

X-ON Electronics

Largest Supplier of Electrical and Electronic Components

Click to view similar products for [Encoders, Decoders, Multiplexers & Demultiplexers](#) *category:*

Click to view products by [Analog Devices](#) *manufacturer:*

Other Similar products are found below :

[MC74HC163ADTG](#) [74HC253N](#) [NLV74VHC1G01DFT1G](#) [NLVHCT4851ADTR2G](#) [NLV14028BDR2G](#) [COMX-CAR-210](#) [SN74LS148N](#)
[PI3B3251LE](#) [PI3B3251QE](#) [NLV74HC4851AMNTWG](#) [MC74LVX257DG](#) [M74HCT4851ADWR2G](#) [NL7SZ19DBVT1G](#) [PI5C3253LEX](#)
[MC74ACT138NG](#) [NB3L8533DTR2G](#) [NLV74AC157DR2G](#) [74HC138DT](#) [74HC153DT](#) [74HC238DT](#) [74HC151DT](#) [ADS131M02IRUKR](#)
[CBMG709ATS16](#) [74HC238N](#) [HT74HC154ARWZ](#) [RS2G139XS16-G](#) [74HCT251D](#) [74HC138T](#) [U74HC138G-S16-R](#) [AIP74HCT138SA.TB](#)
[XD74C922](#) [SN74LVC1G19DBVR\(UMW\)](#) [RS1G157XC6](#) [74HC151M/TR](#) [AiP74HC237TA16.TB](#) [AIP74HC138TA16.TB](#) [74HC138DRG](#)
[AiP74LVC138TA16.TB](#) [CD4511BDRG](#) [AiP74LVC157TA16.TB](#) [SN74HC42N\(LX\)](#) [SN74LS157N\(LX\)](#) [SN74LS42N](#) [QS3VH251QG8](#)
[MC74HC151ADTG](#) [MC74LVX257DTR2G](#) [74VHC238FT\(BJ\)](#) [74VHC4066AFT\(BJ\)](#) [74VHCT138AFT\(BJ\)](#) [NC7SZ157P6X](#)