

## LTM4601 5V<sub>IN</sub> to 20V<sub>IN</sub>, 12A Step-Down μModule Regulator

### DESCRIPTION

Demonstration circuit DC1041A-A features the LTM<sup>®</sup>4601EV, a 12A high efficiency, high density switch mode step-down converter. The input voltage range is from 4.5V to 20V. The output voltage is jumper selectable for popular voltages from 0.6V to 5V. The PLLIN pin supports synchronizing the μModule<sup>®</sup> regulator to an external clock. The TRACK/SS pin allows the user to program output ramp-up and ramp-down rates which may coincidentally or ratiometrically track with another supply's output if desired. Output voltage margining of

±5% from the nominal value is available via the margin control pins MARG0 and MARG1. The LTM4601 data sheet must be read in conjunction with this demo manual prior to working on or modifying demo circuit DC1041A-A.

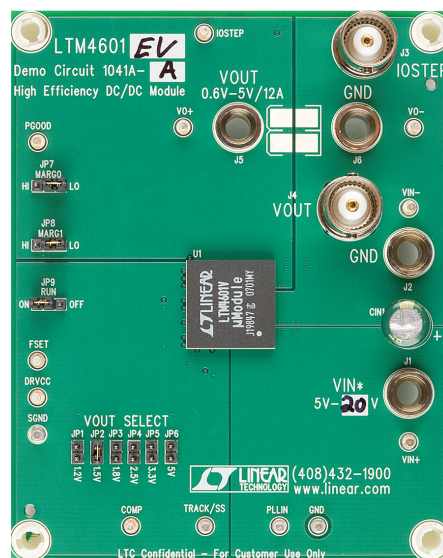
**Design files for this circuit board are available at <http://www.linear.com/demo>**

LT, LT, LTC, LTM, μModule, Linear Technology and the Linear logo are registered trademarks of Linear Technology Corporation. All other trademarks are the property of their respective owners.

### PERFORMANCE SUMMARY (T<sub>A</sub> = 25°C)

PARAMETER	CONDITION	VALUE
Input Voltage Range		4.5V to 20V
Output Voltage V <sub>OUT</sub>	Jumper Selectable (Open for 0.6V)	1.2V, 1.5V, 1.8V, 2.5V, 3.3V, 5V
Maximum Continuous Output Current	Derating is Necessary for Certain V <sub>IN</sub> , V <sub>OUT</sub> and Thermal Conditions	12A DC
Default Operating Frequency		850kHz
External Synchronous Clock Frequency Range	Refer to Data Sheet for Details	600kHz to 1000kHz
Efficiency	V <sub>IN</sub> = 12V, V <sub>OUT</sub> = 1.5V, I <sub>OUT</sub> = 12A	83%, See Figure 2

### BOARD PHOTO



dc1041a-af

# DEMO MANUAL DC1041A-A

## QUICK START PROCEDURE

Demonstration circuit DC1041A-A is an easy way to evaluate the performance of the LTM4601EV. Please refer to Figure 1 for proper measurement equipment setup and follow the procedure below:

1. With the power supply off, connect the input power supply, load and meters as shown in Figure 1. Preset the load to 0A and power supply voltage within the LTM4601's operating input voltage range.

2. Place jumpers in the following positions for a typical 1.5V<sub>OUT</sub> application:

MARG0	MARG1	RUN	V <sub>OUT</sub> SELECT
LO	LO	ON	1.5V

3. Turn on the power at the input. The output voltage should be 1.5V ± 1%.

4. Once the proper output voltage is established, adjust the load within the operating range and observe the output voltage regulation, ripple voltage, efficiency and other parameters. Output ripple should be measured at J4 with a BNC cable.

5. For optional load transient test, apply an adjustable pulse signal between IOSTEP (E3) and GND pins. Pulse amplitude sets the current step. The pulse signal should have very small duty cycle (<15%) to limit the thermal stress on the transient load circuit. The output transient current can be monitored at BNC connector J3 (10mV/A).

6. For Margining function test, place jumper MARG0 and MARG1 in the configurations shown in the following table, measure the output voltage at J4.

MARG1	MARG0	ΔV <sub>OUT</sub>
LO	LO	0
LO	HI	+5%
HI	LO	-5%
HI	HI	0

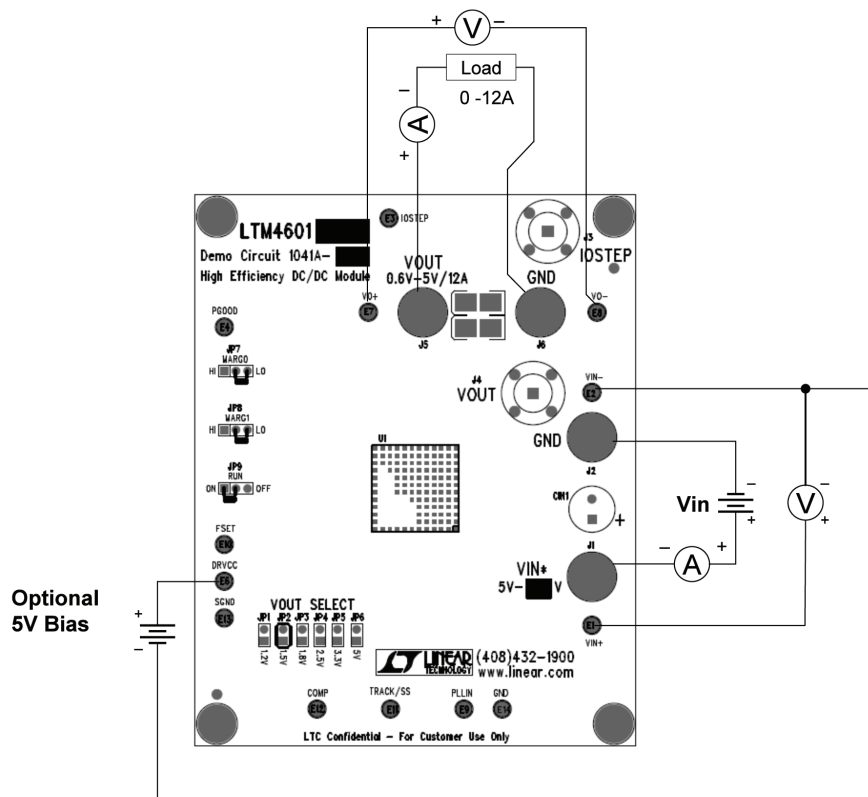


Figure 1. Test Setup of DC1041A-A (DRVCC Bias Supply is Optional)

dc1041a-af

# QUICK START PROCEDURE

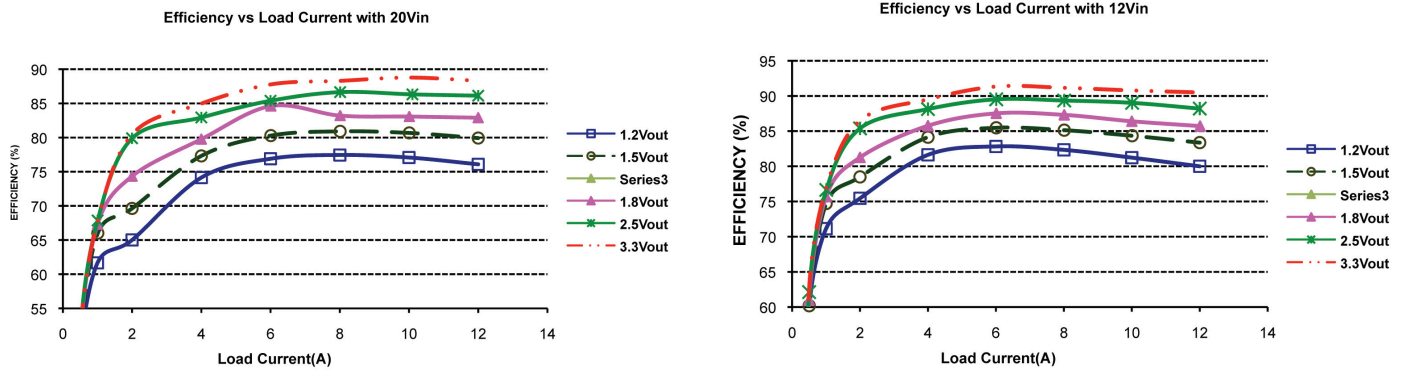


Figure 2. Measured Supply Efficiency with Different  $V_{IN}$  and  $V_{OUT}$

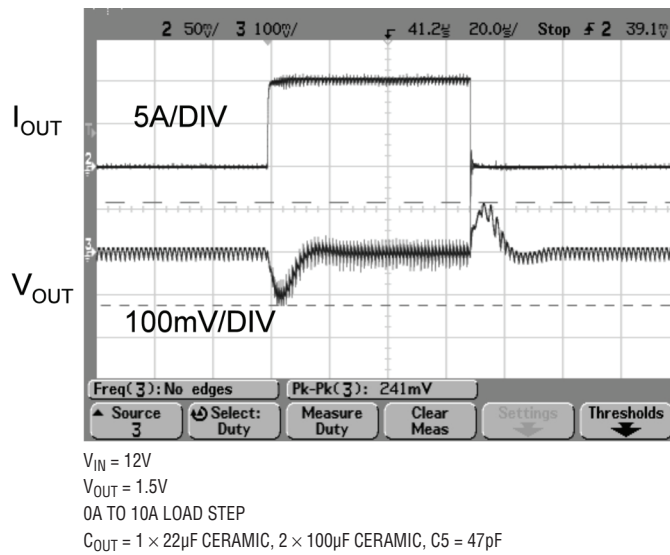


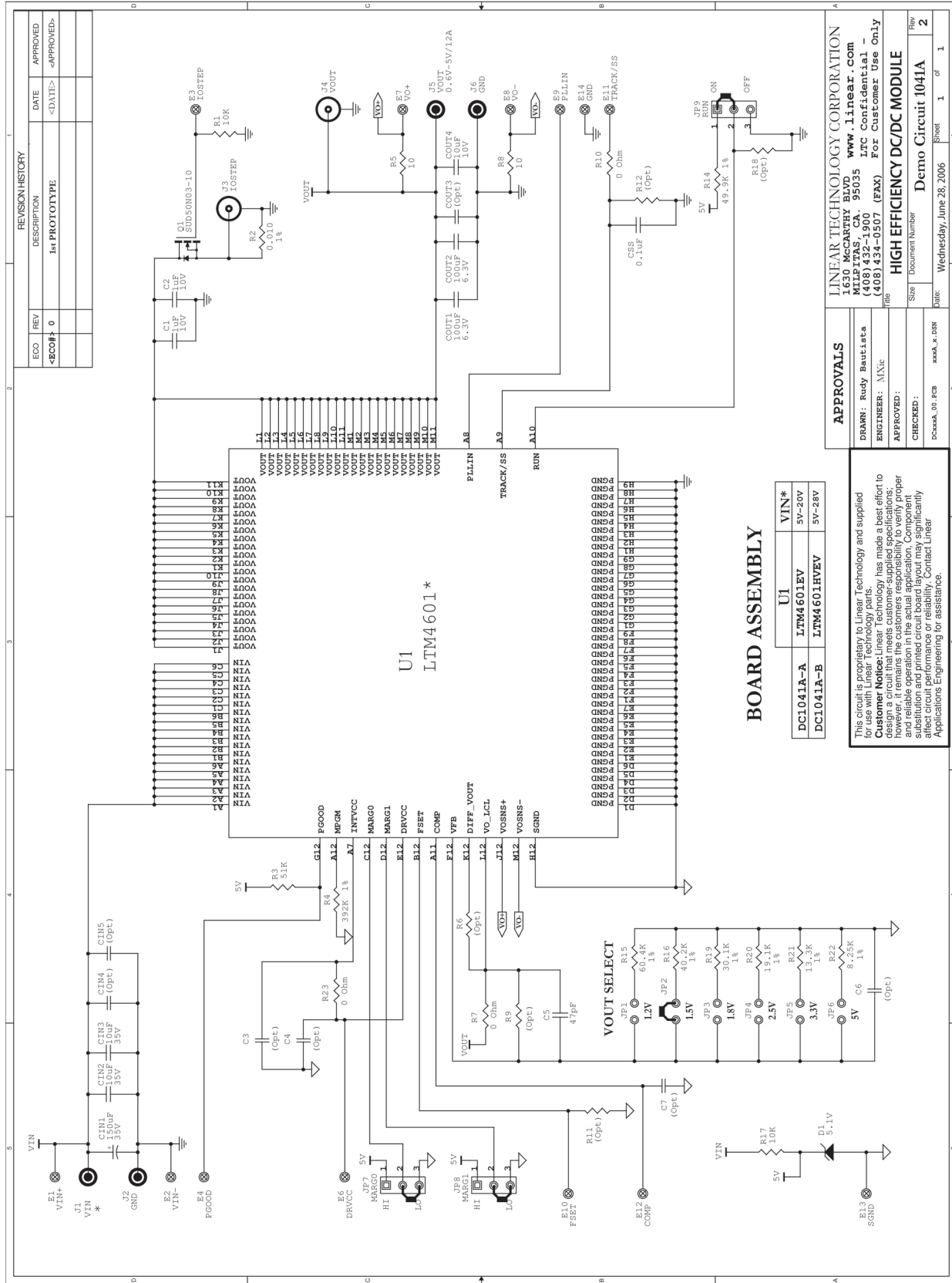
Figure 3. Measured Load Transient Response (0A to 10A Step)

# DEMO MANUAL DC1041A-A

## PARTS LIST

ITEM	QTY	REFERENCE	PART DESCRIPTION	MANUFACTURER/PART NUMBER
<b>Required Circuit Components</b>				
1	1	CIN1	Cap., Alum 150µF 35V 20%	SANYO 35ME150WXV (now SUNCON 35ME150WXV)
2	2	CIN2, CIN3	Cap., X7R 10µF 35V 20%	Taiyo Yuden GMK316BJ106ML-T
3	2	COU1, COU2	Cap., X5R 100µF 6.3V 20%	Taiyo Yuden JMK432BJ107MU-T
4	1	COU4	Cap., X5R 10µF 10V 10%	Taiyo Yuden LMK316BJ106KL-T
5	1	CSS	Cap., X7R 0.1µF 16V 20%	AVX 0603YC104MAT2A
6	1	R4	Res., Chip 392k 0.1W 1%	AAC CR16-3923FM
7	2	R8,R5	Res., Chip 10Ω 0.1W 5%	AAC CR16-100JM
8	1	R19	Res., Chip 30.1k 0.06W 1%	AAC CR16-3012FM
9	1	U1	I.C., Volt. Reg.	Linear Technology Corp. LTM4601EV
<b>Additional Demo Board Circuit Components</b>				
1	0	CIN4, CIN5	Cap., 1206 TBD	
2	0	COU3	Cap., 1210 TBD	
3	0	C3, C4, C5, C6, C7	Cap., 0603 TBD	
4	2	C1, C2	Cap., X5R 1µF 10V 10%	Taiyo Yuden LMK107BJ105KA
5	1	D1	Zener Diode, 5.1V	On Semi. MMBZ5231B
6	1	Q1	MOSFET, N-Channel 30V	Siliconix SUD50N03-10
7	0	R6, R9, R11, R12, R18	Res., 0603 TBD	
8	2	R17, R1	Res., Chip 10k 0.1W 5%	AAC CR16-103JM
9	1	R2	Res., LRC 0.010Ω 0.25W 1%	IRC LRF1206-01-R010-F
10	1	R3	Res., Chip 51k 0.1W 5%	AAC CR16-513JM
11	3	R7, R10, R23	Res/Jumper, Chip 0Ω 1/16W 1 AMP	AAC CJ06-000M
12	1	R14	Res., Chip 49.9k 0.06W 1%	AAC CR16-4992FM
13	1	R15	Res., Chip 60.4k 0.1W 1%	AAC CR16-6042FM
14	1	R16	Res., Chip 40.2k 0.1W 1%	AAC CR16-4022FM
15	1	R20	Res., Chip 19.1k 0.1W 1%	AAC CR16-1912FM
16	1	R21	Res., Chip 13.3k 0.1W 1%	AAC CR16-1332FM
17	1	R22	Res., Chip 8.25k 0.1W 1%	AAC CR16-8251FM

SCHEMATIC DIAGRAM



REVISION HISTORY

ECO	REV	DESCRIPTION	DATE	APPROVED
<ECO#>	0	1st PROTOTYPE	<DATE>	<APPROVED>

APPROVALS

DRAMN: Rudy Baultista	FILE
ENGINEER: M.Nic	DATE: Wednesday, June 28, 2006
APPROVED:	Sheet 1 of 1
CHECKED:	2
DC1041A-A PCB	Doc# DC1041A-A

LINEAR TECHNOLOGY CORPORATION  
 1630 MCCARTHY BLVD  
 MILPITAS, CA. 95035  
 www.linear.com  
 (408) 432-1900  
 (408) 434-0507 (FAX)  
 IFC Confidential -  
 For Customer Use Only

HIGH EFFICIENCY DC/DC MODULE

DC1041A-A VIN\* 5V-20V  
 DC1041A-B LTM4601REV 5V-28V

This circuit is proprietary to Linear Technology and supplied for use with Linear Technology parts.  
 Customer Notice: Linear Technology has made a best effort to design a circuit that meets customer-supplied specifications, and reliable operation in the actual application. Component substitution and printed circuit board layout may significantly affect circuit performance or reliability. Contact Linear Applications Engineering for assistance.

BOARD ASSEMBLY



Information furnished by Linear Technology Corporation is believed to be accurate and reliable. However, no responsibility is assumed for its use. Linear Technology Corporation makes no representation that the interconnection of its circuits as described herein will not infringe on existing patent rights.

# DEMO MANUAL DC1041A-A

---

## DEMONSTRATION BOARD IMPORTANT NOTICE

Linear Technology Corporation (LTC) provides the enclosed product(s) under the following **AS IS** conditions:

This demonstration board (DEMO BOARD) kit being sold or provided by Linear Technology is intended for use for **ENGINEERING DEVELOPMENT OR EVALUATION PURPOSES ONLY** and is not provided by LTC for commercial use. As such, the DEMO BOARD herein may not be complete in terms of required design-, marketing-, and/or manufacturing-related protective considerations, including but not limited to product safety measures typically found in finished commercial goods. As a prototype, this product does not fall within the scope of the European Union directive on electromagnetic compatibility and therefore may or may not meet the technical requirements of the directive, or other regulations.

If this evaluation kit does not meet the specifications recited in the DEMO BOARD manual the kit may be returned within 30 days from the date of delivery for a full refund. **THE FOREGOING WARRANTY IS THE EXCLUSIVE WARRANTY MADE BY THE SELLER TO BUYER AND IS IN LIEU OF ALL OTHER WARRANTIES, EXPRESSED, IMPLIED, OR STATUTORY, INCLUDING ANY WARRANTY OF MERCHANTABILITY OR FITNESS FOR ANY PARTICULAR PURPOSE. EXCEPT TO THE EXTENT OF THIS INDEMNITY, NEITHER PARTY SHALL BE LIABLE TO THE OTHER FOR ANY INDIRECT, SPECIAL, INCIDENTAL, OR CONSEQUENTIAL DAMAGES.**

The user assumes all responsibility and liability for proper and safe handling of the goods. Further, the user releases LTC from all claims arising from the handling or use of the goods. Due to the open construction of the product, it is the user's responsibility to take any and all appropriate precautions with regard to electrostatic discharge. Also be aware that the products herein may not be regulatory compliant or agency certified (FCC, UL, CE, etc.).

No License is granted under any patent right or other intellectual property whatsoever. **LTC assumes no liability for applications assistance, customer product design, software performance, or infringement of patents or any other intellectual property rights of any kind.**

LTC currently services a variety of customers for products around the world, and therefore this transaction **is not exclusive**.

**Please read the DEMO BOARD manual prior to handling the product.** Persons handling this product must have electronics training and observe good laboratory practice standards. **Common sense is encouraged.**

This notice contains important safety information about temperatures and voltages. For further safety concerns, please contact a LTC application engineer.

Mailing Address:

Linear Technology  
1630 McCarthy Blvd.  
Milpitas, CA 95035

Copyright © 2004, Linear Technology Corporation

## X-ON Electronics

Largest Supplier of Electrical and Electronic Components

*Click to view similar products for [Power Management IC Development Tools](#) category:*

*Click to view products by [Analog Devices](#) manufacturer:*

Other Similar products are found below :

[EVAL-ADM1168LQEBZ](#) [EVB-EP5348UI](#) [MIC23451-AAAYFL EV](#) [MIC5281YMME EV](#) [DA9063-EVAL](#) [ADP122-3.3-EVALZ](#) [ADP130-0.8-EVALZ](#) [ADP130-1.2-EVALZ](#) [ADP130-1.5-EVALZ](#) [ADP130-1.8-EVALZ](#) [ADP1714-3.3-EVALZ](#) [ADP1716-2.5-EVALZ](#) [ADP1740-1.5-EVALZ](#) [ADP1752-1.5-EVALZ](#) [ADP1828LC-EVALZ](#) [ADP1870-0.3-EVALZ](#) [ADP1871-0.6-EVALZ](#) [ADP1873-0.6-EVALZ](#) [ADP1874-0.3-EVALZ](#) [ADP1882-1.0-EVALZ](#) [ADP199CB-EVALZ](#) [ADP2102-1.25-EVALZ](#) [ADP2102-1.875EVALZ](#) [ADP2102-1.8-EVALZ](#) [ADP2102-2-EVALZ](#) [ADP2102-3-EVALZ](#) [ADP2102-4-EVALZ](#) [ADP2106-1.8-EVALZ](#) [ADP2147CB-110EVALZ](#) [AS3606-DB](#) [BQ24010EVM](#) [BQ24075TEVM](#) [BQ24155EVM](#) [BQ24157EVM-697](#) [BQ24160EVM-742](#) [BQ24296MEVM-655](#) [BQ25010EVM](#) [BQ3055EVM](#) [NCV891330PD50GEVB](#) [ISLUSBI2CKIT1Z](#) [LM2744EVAL](#) [LM2854EVAL](#) [LM3658SD-AEV/NOPB](#) [LM3658SDEV/NOPB](#) [LM3691TL-1.8EV/NOPB](#) [LM4510SDEV/NOPB](#) [LM5033SD-EVAL](#) [LP38512TS-1.8EV](#) [EVAL-ADM1186-1MBZ](#) [EVAL-ADM1186-2MBZ](#)