

# LTM4607EV: High Density Buck-Boost Power Module

## DESCRIPTION

Demonstration circuit DC1198B-B features the LTM<sup>®</sup>4607EV, a high efficiency, high density switch mode buck-boost power module. The LTM4607EV can regulate its output voltage from input voltage both above and below the output. The board accepts an input voltage from 6V to 36V and is set for an output voltage of 12V. The rated load current is 5A in boost mode and 12A in step-down operation. Derating is necessary for certain  $V_{IN}$ ,  $V_{OUT}$  and thermal conditions. The switching frequency can be synchronized to external clock operating from 200kHz to

400kHz. This clock input can be used to reduce undesirable frequency harmonics and reduce input and output ripple when paralleling LTM4607 modules for even higher output current. The LTM4607 data sheet must be read in conjunction with this demo manual for working on or modifying the demo circuit DC1198B-B.

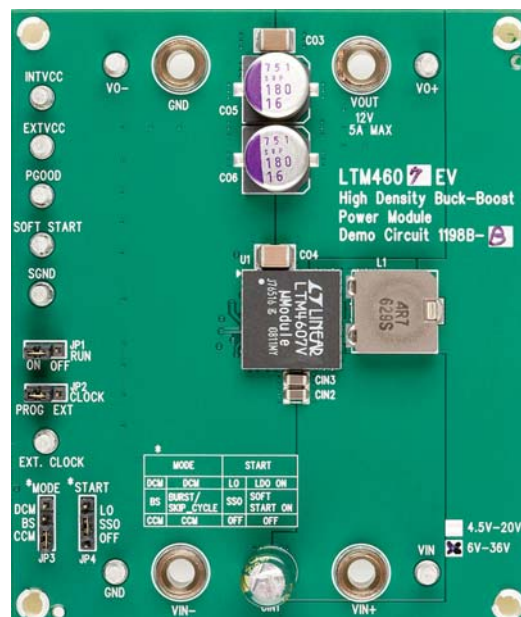
**Design files for this circuit board are available at <http://www.linear.com/demo>**

LT, LT, LTC, LTM,  $\mu$ Module, Linear Technology and the Linear logo are registered trademarks of Linear Technology Corporation. All other trademarks are the property of their respective owners.

## PERFORMANCE SUMMARY Specifications are at $T_A = 25^\circ\text{C}$

PARAMETER	CONDITION	VALUE
Input Voltage Range		6V to 36V
Output Voltage $V_{OUT}$	DC Voltage, $V_{IN} = 12\text{V}$ , $I_{OUT} = 5\text{A}$	12V, $\pm 2\%$
Maximum Continuous Output Current	Step-Up Step-Down Derating Is Necessary for Certain $V_{IN}$ , $V_{OUT}$ and Thermal Conditions	5A <sub>DC</sub> ( $6V_{IN}$ ) 12A <sub>DC</sub> ( $V_{IN} > 12\text{V}$ )
Default Operating Frequency		300kHz
Efficiency	$V_{IN} = 12\text{V}$ , $V_{OUT} = 12\text{V}$ , $I_{OUT} = 5\text{A}$	97.4%, See Figure 3 for More Information

## BOARD PHOTO



# DEMO MANUAL DC1198B-B

## QUICK START PROCEDURE

Demonstration circuit DC1198B-B provides a simple way to evaluate the performance of the LTM4607EV. Please refer to Figure 1 for the proper measurement equipment set-up, and follow the procedure below:

1. Place jumpers in the following positions for a typical  $12V_{OUT}$  application:

RUN	CLOCK	MODE	START
On	Prog	CCM	SSO

2. With the power off, preset the load to 0A and the  $V_{IN}$  supply to less than 36V. Next, connect the input power supply, load and meters, as shown in Figure 1.
3. Turn on the power at the input. The output voltage should be  $12V, \pm 2\%$ .

4. Once the proper output voltage is established, adjust the load within the operating range and observe the output voltage regulation, ripple voltage, efficiency and other parameters. The cooling fan and lower current sensing resistor are necessary for  $V_{IN} < 6V$  and  $I_{OUT} = 5A$ .
5. To measure the input and output ripple, please refer to Figure 2 for the proper set-up.
6. The voltage at PLLFLTR determines the switching frequency. Modify R6 and R7 to adjust the switching frequency. Do not allow the voltage at pin PLLFLTR to exceed 2.4V.
7. Inductor and  $R_{SENSE}$  should be modified to accommodate certain input and output conditions. Please refer to Table 1 for recommended inductors.

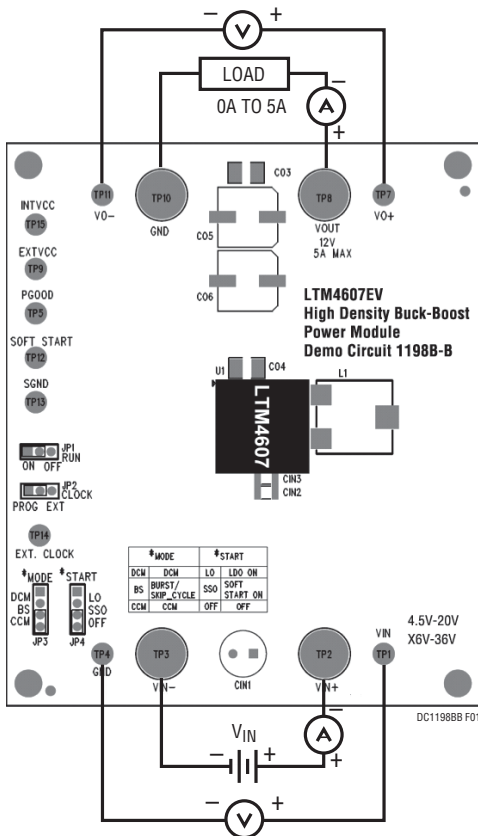


Figure 1. Test Set-Up of the DC1198B-B

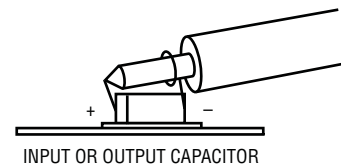
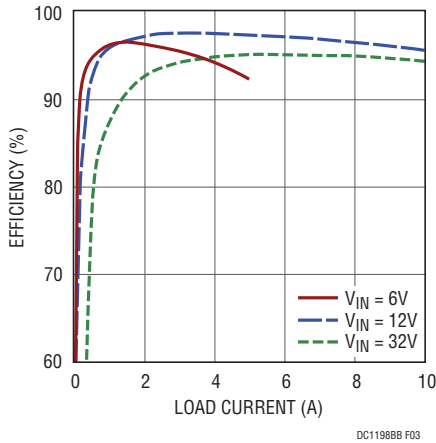
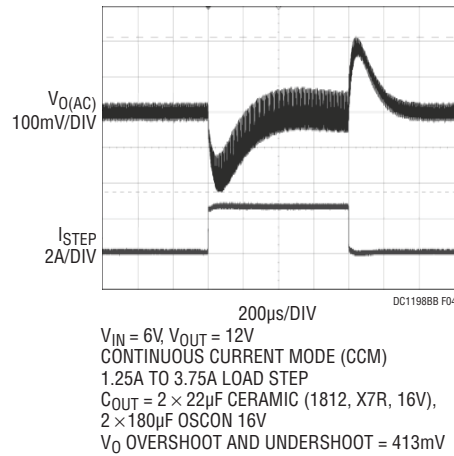


Figure 2. Proper Scope Probe Placement for Measuring Input or Output Ripple

## QUICK START PROCEDURE



**Figure 3. Measured Supply Efficiency with Different  $V_{IN}$**



**Figure 4. Measured Load Transient Response (2.5A Step, 25% to 75%)**

**Table 1. Recommended Inductors for Different Input and Output Conditions:  $f_{SW} = 400kHz$**

$V_{IN}$ (V)	$V_{OUT}$ (V)	$R_{SENSE}$ (0.5W RATING)	INDUCTOR ( $\mu H$ )	$I_{OUT(MAX)}$ * (A)	INDUCTOR	
12	8	$2 \times 18m\Omega$ , 0.5W	2.2	12	FDA1254-2R2M Toko	CDEP134-2R5 Sumida
20	8	$2 \times 18m\Omega$ , 0.5W	3.3	12	FDA1254-3R3M Toko	CDEP145-3R5 Sumida
5	10	$2 \times 14m\Omega$ , 0.5W	1.5	6	FDA1254-1R2M Toko	CDEP134-1R6 Sumida
15	10	$2 \times 18m\Omega$ , 0.5W	2.2	12	FDA1254-2R2M Toko	CDEP134-2R5 Sumida
20	10	$2 \times 18m\Omega$ , 0.5W	3.3	12	FDA1254-3R3M Toko	CDEP145-3R5 Sumida
6	12	$2 \times 14m\Omega$ , 0.5W	2.2	6	FDA1254-2R2M Toko	CDEP134-2R5 Sumida
16	12	$2 \times 18m\Omega$ , 0.5W	2.2	12	FDA1254-2R2M Toko	CDEP134-2R5 Sumida
20	12	$2 \times 18m\Omega$ , 0.5W	3.3	12	FDA1254-3R3M Toko	CDEP145-3R5 Sumida
5	16	$2 \times 14m\Omega$ , 0.5W	2.2	4	FDA1254-2R2M Toko	CDEP134-2R5 Sumida
8	16	$2 \times 18m\Omega$ , 0.5W	3.3	5	FDA1254-3R3M Toko	CDEP145-3R5 Sumida
12	16	$2 \times 22m\Omega$ , 0.5W	3.3	6	FDA1254-3R3M Toko	CDEP145-3R5 Sumida
20	16	$2 \times 22m\Omega$ , 0.5W	2.5	10	FDA1254-2R2M Toko	CDEP134-2R5 Sumida

\* Note: Per the manufacturer's specification sheet, Toko FDA1254 inductors are not recommended for  $V_{IN} > 30V$ . Please visit Toko's website for more information.

**Table 2.  $R_{SENSE}$  Vendors**

$R_{SENSE}$ VENDOR	PART NUMBER
Vishay	Power Metal Strip Resistors WSL1206, 0.5W
Panasonic	Thick Film Chip Resistors ERJ12, 0.5W

# DEMO MANUAL DC1198B-B

## PARTS LIST

ITEM	QTY	REFERENCE	PART DESCRIPTION	MANUFACTURER/PART NUMBER
<b>Required Circuit Components</b>				
1	1	C <sub>IN1</sub>	Cap., Alum, 100µF, 20%, 50V	Sanyo 50ME100WXV+TS
2	2	C <sub>IN2</sub> , C <sub>IN3</sub>	Cap., X5R, 4.7µF, 10%, 50V, 1206	Taiyo Yuden UMK316BJ475KL-T
3	1	C <sub>SS</sub>	Cap., X7R, 0.01µF, 25V, 10%, 0603	AVX 06033C103KAT4A
4	2	C03, C04	Cap., X7R, 22µF, 16V, 20%, 1812	TDK C4532X7R1C226M
5	2	C05, C06	Cap., OS-CON, 180µF, 16V	Sanyo 16SVP180MX
6	1	L1	Ind. Iron Power Smt Fixed, 4.7µH	Toko FD1254-4R7M
7	1	R5	Res., Chip, 7.15k, 1/16W, 1%, 0603	Vishay CRCW06037K15FKEA
8	1	R6	Res., Chip, 4.64k, 1/16W, 1%, 0603	Vishay CRCW06034K64FKEA
9	1	R7	Res., Chip, 1.21k, 1/16W, 1%, 0603	Vishay CRCW06031K21FKEA
10	2	RS1, RS2	Res., Chip, 0.015 1/2W, 1%, 1206	Vishay WSL1206R0150FEA
11	1	U1	IC, LTM4607EV#PBF, 15mm × 9mm × 2.3mm LGA	Linear Technology Corporation, LTM4607EV#PBF
<b>Additional Demo Board Circuit Components</b>				
1	0	C <sub>IN4</sub> , C <sub>IN5</sub> (Opt)	Cap., 1206	
2	0	C2, C4, C5, C <sub>P</sub> , C <sub>FF</sub> (Opt)	Cap., 0603	
3	0	C01, C02 (Opt)	Cap., SVP, 100µF, D3L	
4	0	C07 (Opt)	Cap., 1206, 16V	
5	0	C08 (Opt)	POSCAP, D3L	
6	2	D1, D2	Zener Diode, 4.7V	Central Semi., CMDZ5230B-7-F
7	1	R1	Res., Chip, 100k, 1/16W, 5%, 0603	Vishay, CRCW0603100KJNEA
8	1	R2	Res., Chip, 51k, 1/16W, 5%, 0603	Vishay, CRCW060351K0JNEA
9	1	R8	Res., Chip, 20k, 1/16W, 1%, 0603	Vishay, CRCW060320K0FKEA
10	1	RS3 (Opt)	Res., 1206	
11	1	R9, R <sub>UVLO</sub> (Opt)	Res., 0603	
<b>Hardware, for Demo Board Only</b>				
1	2	JP1, JP2	2mm Single Row Header, 3 Pin	Samtec, TMM-103-02-L-S
2	2	JP3, JP4	2mm Single Row Header, 4 Pin	Samtec, TMM-104-02-L-S
3	4	JP1, JP2, JP3, JP4	Shunt	Samtec, 2SN-BK-G
4	10	TP1, TP4, TP5, TP7, TP9, TP11-TP15	Testpoint, Turret, 0.095"	Mill-Max, 2501-2-00-80-00-00-07-0
5	4	TP2, TP3, TP8, TP10	Banana Jack	Keystone, 575-4
6	4	Stand-Off	Stand-Off, Nylon, 0.50" Tall	Keystone, 8833 (Snap On)



# DEMO MANUAL DC1198B-B

---

## DEMONSTRATION BOARD IMPORTANT NOTICE

Linear Technology Corporation (LTC) provides the enclosed product(s) under the following **AS IS** conditions:

This demonstration board (DEMO BOARD) kit being sold or provided by Linear Technology is intended for use for **ENGINEERING DEVELOPMENT OR EVALUATION PURPOSES ONLY** and is not provided by LTC for commercial use. As such, the DEMO BOARD herein may not be complete in terms of required design-, marketing-, and/or manufacturing-related protective considerations, including but not limited to product safety measures typically found in finished commercial goods. As a prototype, this product does not fall within the scope of the European Union directive on electromagnetic compatibility and therefore may or may not meet the technical requirements of the directive, or other regulations.

If this evaluation kit does not meet the specifications recited in the DEMO BOARD manual the kit may be returned within 30 days from the date of delivery for a full refund. **THE FOREGOING WARRANTY IS THE EXCLUSIVE WARRANTY MADE BY THE SELLER TO BUYER AND IS IN LIEU OF ALL OTHER WARRANTIES, EXPRESSED, IMPLIED, OR STATUTORY, INCLUDING ANY WARRANTY OF MERCHANTABILITY OR FITNESS FOR ANY PARTICULAR PURPOSE. EXCEPT TO THE EXTENT OF THIS INDEMNITY, NEITHER PARTY SHALL BE LIABLE TO THE OTHER FOR ANY INDIRECT, SPECIAL, INCIDENTAL, OR CONSEQUENTIAL DAMAGES.**

The user assumes all responsibility and liability for proper and safe handling of the goods. Further, the user releases LTC from all claims arising from the handling or use of the goods. Due to the open construction of the product, it is the user's responsibility to take any and all appropriate precautions with regard to electrostatic discharge. Also be aware that the products herein may not be regulatory compliant or agency certified (FCC, UL, CE, etc.).

No License is granted under any patent right or other intellectual property whatsoever. **LTC assumes no liability for applications assistance, customer product design, software performance, or infringement of patents or any other intellectual property rights of any kind.**

LTC currently services a variety of customers for products around the world, and therefore this transaction **is not exclusive**.

**Please read the DEMO BOARD manual prior to handling the product.** Persons handling this product must have electronics training and observe good laboratory practice standards. **Common sense is encouraged.**

This notice contains important safety information about temperatures and voltages. For further safety concerns, please contact a LTC application engineer.

Mailing Address:

Linear Technology  
1630 McCarthy Blvd.  
Milpitas, CA 95035

Copyright © 2004, Linear Technology Corporation

## X-ON Electronics

Largest Supplier of Electrical and Electronic Components

*Click to view similar products for [Power Management IC Development Tools](#) category:*

*Click to view products by [Analog Devices](#) manufacturer:*

Other Similar products are found below :

[EVAL-ADM1168LQEBZ](#) [EVB-EP5348UI](#) [MIC23451-AAAYFL EV](#) [MIC5281YMME EV](#) [DA9063-EVAL](#) [ADP122-3.3-EVALZ](#) [ADP130-0.8-EVALZ](#) [ADP130-1.2-EVALZ](#) [ADP130-1.5-EVALZ](#) [ADP130-1.8-EVALZ](#) [ADP1714-3.3-EVALZ](#) [ADP1716-2.5-EVALZ](#) [ADP1740-1.5-EVALZ](#) [ADP1752-1.5-EVALZ](#) [ADP1828LC-EVALZ](#) [ADP1870-0.3-EVALZ](#) [ADP1871-0.6-EVALZ](#) [ADP1873-0.6-EVALZ](#) [ADP1874-0.3-EVALZ](#) [ADP1882-1.0-EVALZ](#) [ADP199CB-EVALZ](#) [ADP2102-1.25-EVALZ](#) [ADP2102-1.875EVALZ](#) [ADP2102-1.8-EVALZ](#) [ADP2102-2-EVALZ](#) [ADP2102-3-EVALZ](#) [ADP2102-4-EVALZ](#) [ADP2106-1.8-EVALZ](#) [ADP2147CB-110EVALZ](#) [AS3606-DB](#) [BQ24010EVM](#) [BQ24075TEVM](#) [BQ24155EVM](#) [BQ24157EVM-697](#) [BQ24160EVM-742](#) [BQ24296MEVM-655](#) [BQ25010EVM](#) [BQ3055EVM](#) [NCV891330PD50GEVB](#) [ISLUSBI2CKIT1Z](#) [LM2744EVAL](#) [LM2854EVAL](#) [LM3658SD-AEV/NOPB](#) [LM3658SDEV/NOPB](#) [LM3691TL-1.8EV/NOPB](#) [LM4510SDEV/NOPB](#) [LM5033SD-EVAL](#) [LP38512TS-1.8EV](#) [EVAL-ADM1186-1MBZ](#) [EVAL-ADM1186-2MBZ](#)