

LTM4601A
5V_{IN} to 28V_{IN}, 12A Step-Down
µModule Regulator

DESCRIPTION

Demonstration circuit 1414B-A features the LTM®4601A, the high efficiency, high density switch mode step-down power module. The input voltage range is 5V to 20V with a jumper selectable output voltage from 0.6V to 5V. The rated load current is 12A, although derating is necessary for certain V_{IN}, V_{OUT} and thermal conditions. The PLLIN pin supports synchronizing the µModule® regulator to an external clock. The TRACK/SS pin allows the user to program output ramp-up and ramp-down rates which may coincidentally or ratiometrically track with another voltage

rail. Output voltage margining of ±5% from the nominal value is available via the margin control pins MARG0 and MARG1. The LTM4601A data sheet must be read in conjunction with this demo manual prior to working on or modifying demo circuit DC1414B-A.

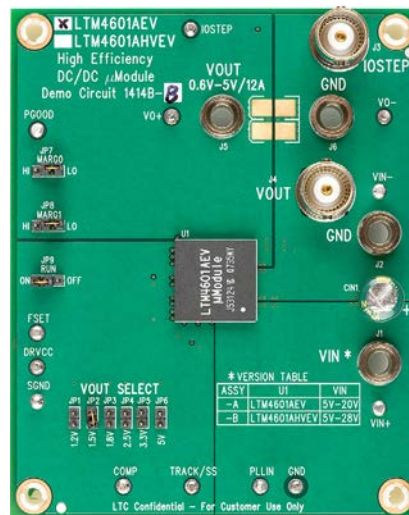
[Design files for this circuit board are available.](#)

All registered trademarks and trademarks are the property of their respective owners.

PERFORMANCE SUMMARY (T_A = 25°C)

PARAMETER	CONDITION	VALUE
Input Voltage Range		5V to 20V
Output Voltage V _{OUT}	Jumper Selectable (Open for 0.6V)	1.2V, 1.5V, 1.8V, 2.5V, 3.3V, 5V
Maximum Continuous Output Current	Derating is Necessary for Certain V _{IN} , V _{OUT} and Thermal Conditions	12A DC
Default Operating Frequency		850kHz
External Synchronous Clock Frequency Range	Please Refer to Data Sheet for Minimum t _{ON} and t _{OFF} Requirement.	600kHz to 1000kHz
Efficiency	V _{IN} = 12V, V _{OUT} = 3.3V, I _{OUT} = 12A	89.5%, See Figure 2

BOARD PHOTO



QUICK START PROCEDURE

Demonstration circuit 1414B-A is easy to set up to evaluate the performance of the LTM4601A. Please refer to Figure 1 for proper measurement equipment setup and follow the procedure below:

1. Place jumpers in the following positions for a typical $1.5V_{OUT}$ application:

MARG0	MARG1	RUN	V_{OUT} SELECT
LO	LO	ON	1.5V

2. With power off, connect the input power supply, load and meters as shown in Figure 1. Preset the load to 0A and V_{IN} supply to be less than 20V.
3. Turn on the power at the input. The output voltage should be $1.5V \pm 1\%$.
4. Once the proper output voltage is established, adjust the load within the operating range and observe the output voltage regulation, ripple voltage, efficiency and other parameters. Output ripple should be measured at J4 with a BNC cable.

5. For optional load transient test, apply adjustable pulse signal between IOSTEP CLK and GND pins. Pulse amplitude sets the current step. The pulse signal should have very small duty cycle (<15%) to limit the thermal stress on the transient load circuit. The output transient current can be monitored at BNC connector J3 (10mV/A).
6. For Margining function test, place jumper MARG0 and MARG1 in the configurations shown in the following table, measure the output voltage at J4.

MARG1	MARG0	ΔV_{OUT}
LO	LO	0
LO	HI	+5%
HI	LO	-5%
HI	HI	0

QUICK START PROCEDURE

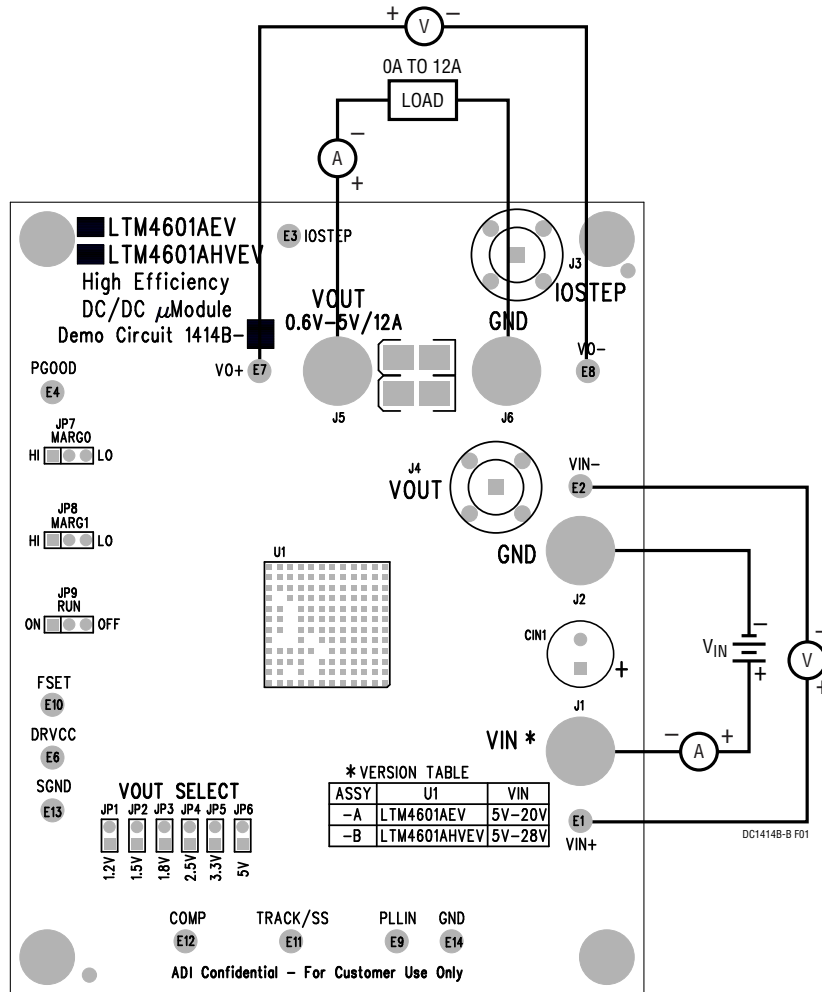


Figure 1. Test Setup of DC1414B-A

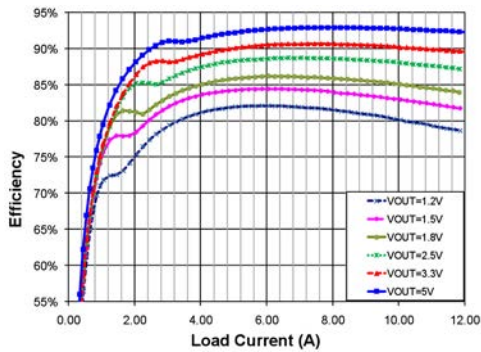


Figure 2. Measured Supply Efficiency with Different V_{OUT} ($V_{IN} = 12V$)

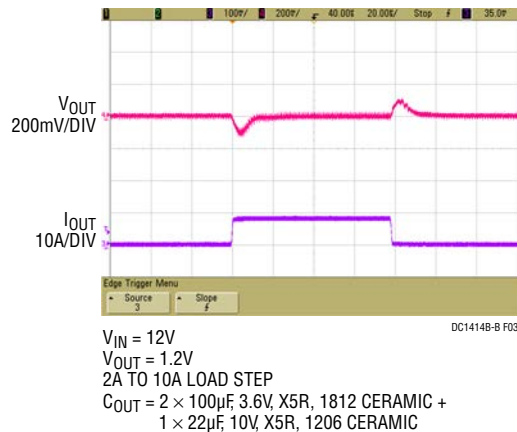


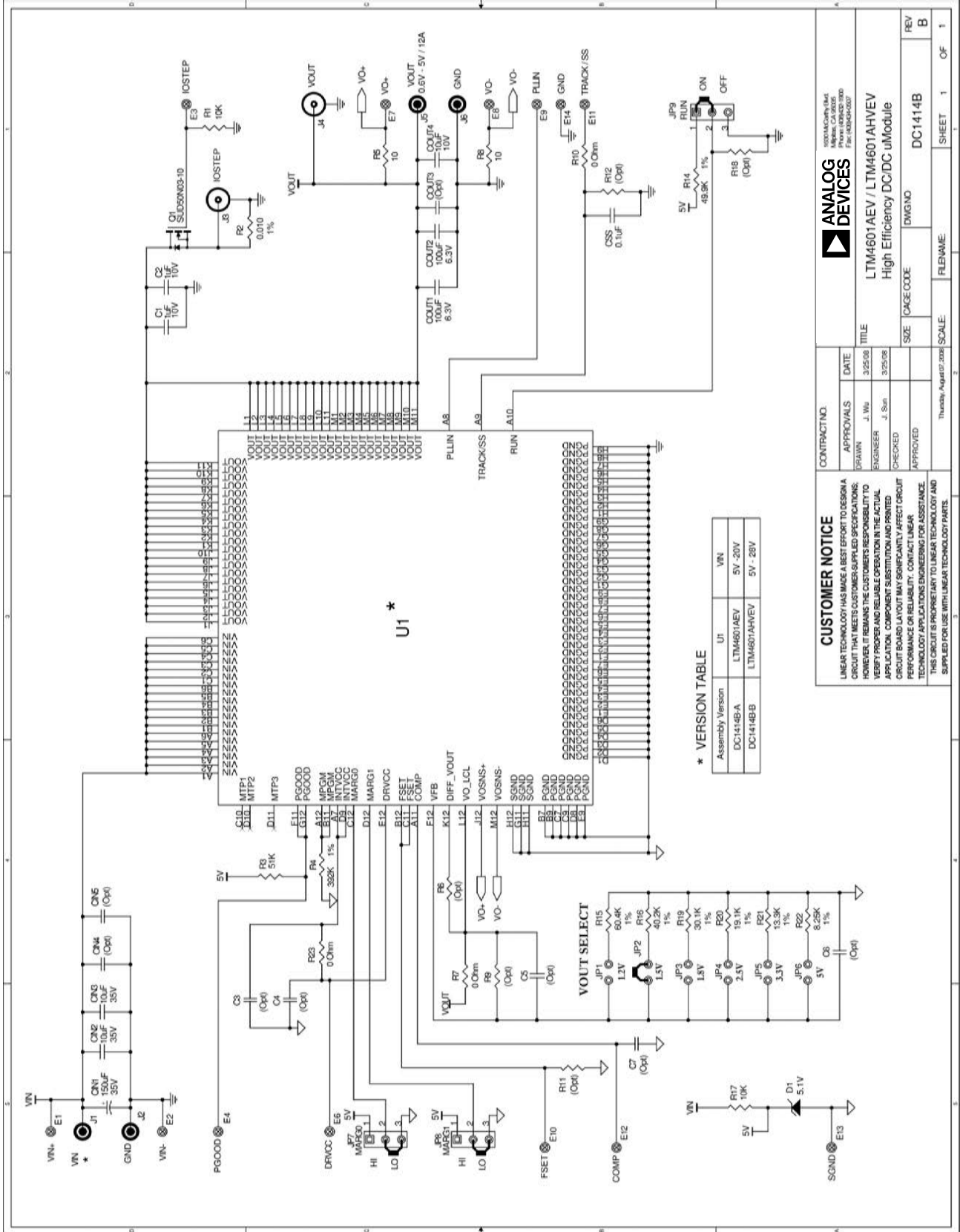
Figure 3. Measured Load Transient Response

DEMO MANUAL DC1414B-A

PARTS LIST

ITEM	QTY	REFERENCE	PART DESCRIPTION	MANUFACTURER/PART NUMBER
Required Circuit Components				
1	1	CIN1	Cap., Alum 150µF 35V 20%	SANYO 35ME150WXV+TS (now SUNCON 35ME150WXV)
2	2	CIN2, CIN3	Cap., X7R 10µF 35V 20%	Taiyo Yuden GMK316BJ106ML-T
3	2	COUT1, COUT2	Cap., X5R 100µF 6.3V 20%, 1210/1812	TDK C4532X5R0J107M
4	1	COUT4	Cap., X5R 10µF 10V 10%	Taiyo Yuden LMK316BJ106KL-T
5	1	CSS	Cap., X7R 0.1µF 16V 20%	AVX 0603YC104MAT2A
6	1	D1	Zener Diode, 5.1V	On Semi. MMBZ5231B
7	1	R17	Res., Chip 10k 0.1W 5%	Vishay CRCW060310K0JNEA
8	1	R3	Res., Chip 51k 0.1W 5%	Vishay CRCW060351K0JNEA
9	1	R4	Res., Chip 392k 0.1W 1%	Vishay CRCW0603392KFKEA
10	1	R14	Res., Chip 49.9k 0.1W 1%	Vishay CRCW060349K9FKEA
11	1	R16	Res., Chip 40.2k 0.1W 1%	Vishay CRCW060340K2FKEA
12	1	U1	I.C., Volt. Reg.	Analog Devices LTM4601AEV
Additional Demo Board Circuit Components				
1	0	CIN4, CIN5 (Opt)	Cap., 1206 TBD	
2	0	COUT3 (Opt)	Cap., 1210 TBD	
3	2	C1,C2	Cap., X5R 1µF 10V 10%	Taiyo Yuden LMK107BJ105KA
4	0	C3, C4, C5, C6, C7 (Opt)	Cap., 0603 TBD	
5	1	Q1	MOSFET, N-Channel 30V	Vishay SUD50N03-09P-E3
6	1	R1	Res., Chip 10k 0.1W 5%	Vishay CRCW060310K0JNEA
7	1	R2	Res., LRF, 0.010Ω, 2W, 1%, 2512	IRC LRF2512LF-01-R010-F
8	2	R8, R5	Res., Chip 10Ω 0.1W 5%	Vishay CRCW060310R0JNEA
9	0	R6, R9, R11, R12, R18 (Opt)	Res., 0603 TBD	
10	3	R7, R10, R23	Res/Jumper, Chip 0Ω 1/16W 1 AMP	Vishay CRCW06030000Z0EA
11	1	R15	Res., Chip 60.4k 0.1W 1%	Vishay CRCW060360K4FKEA
12	1	R19	Res., Chip 30.1k 0.1W 1%	Vishay CRCW060330K1FKEA
13	1	R20	Res., Chip 19.1k 0.1W 1%	Vishay CRCW060319K1FKEA
14	1	R21	Res., Chip 13.3k 0.1W 1%	Vishay CRCW060313K3FKEA
15	1	R22	Res., Chip 8.25k 0.1W 1%	Vishay CRCW06038K25FKEA
Hardware-For Demo Board Only				
1	13	E1-E4, E6-E14	Turret, Testpoint	Mill Max 2308-02-00-80-00-00-07-0
2	6	JP1, JP2, JP3, JP4, JP5, JP6	2-Pin 0.079 Single Row Header	SAMTEC TMM102-02-L-S
3	3	JP7, JP8, JP9	3-Pin 0.079 Single Row Header	SAMTEC TMM103-02-L-S
4	4	XJP2, XJP7, XJP8, XJP9	Shunt, 0.079" Center	SAMTEC 2SN-BK-G
5	4	J1, J2, J5, J6	Connector, Banana Jack	Keystone 575-4
6	2	J3, J4	BNC Connector	Connex 112404
7	4		Stand-Off, Nylon, 0.5" Tall	Keystone 8833 (SNAP ON)

SCHEMATIC DIAGRAM



**ESD Caution**

ESD (electrostatic discharge) sensitive device. Charged devices and circuit boards can discharge without detection. Although this product features patented or proprietary protection circuitry, damage may occur on devices subjected to high energy ESD. Therefore, proper ESD precautions should be taken to avoid performance degradation or loss of functionality.

Legal Terms and Conditions

By using the evaluation board discussed herein (together with any tools, components documentation or support materials, the "Evaluation Board"), you are agreeing to be bound by the terms and conditions set forth below ("Agreement") unless you have purchased the Evaluation Board, in which case the Analog Devices Standard Terms and Conditions of Sale shall govern. Do not use the Evaluation Board until you have read and agreed to the Agreement. Your use of the Evaluation Board shall signify your acceptance of the Agreement. This Agreement is made by and between you ("Customer") and Analog Devices, Inc. ("ADI"), with its principal place of business at One Technology Way, Norwood, MA 02062, USA. Subject to the terms and conditions of the Agreement, ADI hereby grants to Customer a free, limited, personal, temporary, non-exclusive, non-sublicensable, non-transferable license to use the Evaluation Board FOR EVALUATION PURPOSES ONLY. Customer understands and agrees that the Evaluation Board is provided for the sole and exclusive purpose referenced above, and agrees not to use the Evaluation Board for any other purpose. Furthermore, the license granted is expressly made subject to the following additional limitations: Customer shall not (i) rent, lease, display, sell, transfer, assign, sublicense, or distribute the Evaluation Board; and (ii) permit any Third Party to access the Evaluation Board. As used herein, the term "Third Party" includes any entity other than ADI, Customer, their employees, affiliates and in-house consultants. The Evaluation Board is NOT sold to Customer; all rights not expressly granted herein, including ownership of the Evaluation Board, are reserved by ADI. CONFIDENTIALITY. This Agreement and the Evaluation Board shall all be considered the confidential and proprietary information of ADI. Customer may not disclose or transfer any portion of the Evaluation Board to any other party for any reason. Upon discontinuation of use of the Evaluation Board or termination of this Agreement, Customer agrees to promptly return the Evaluation Board to ADI. ADDITIONAL RESTRICTIONS. Customer may not disassemble, decompile or reverse engineer chips on the Evaluation Board. Customer shall inform ADI of any occurred damages or any modifications or alterations it makes to the Evaluation Board, including but not limited to soldering or any other activity that affects the material content of the Evaluation Board. Modifications to the Evaluation Board must comply with applicable law, including but not limited to the RoHS Directive. TERMINATION. ADI may terminate this Agreement at any time upon giving written notice to Customer. Customer agrees to return to ADI the Evaluation Board at that time. LIMITATION OF LIABILITY. THE EVALUATION BOARD PROVIDED HEREUNDER IS PROVIDED "AS IS" AND ADI MAKES NO WARRANTIES OR REPRESENTATIONS OF ANY KIND WITH RESPECT TO IT. ADI SPECIFICALLY DISCLAIMS ANY REPRESENTATIONS, ENDORSEMENTS, GUARANTEES, OR WARRANTIES, EXPRESS OR IMPLIED, RELATED TO THE EVALUATION BOARD INCLUDING, BUT NOT LIMITED TO, THE IMPLIED WARRANTY OF MERCHANTABILITY, TITLE, FITNESS FOR A PARTICULAR PURPOSE OR NON-INFRINGEMENT OF INTELLECTUAL PROPERTY RIGHTS. IN NO EVENT WILL ADI AND ITS LICENSORS BE LIABLE FOR ANY INCIDENTAL, SPECIAL, INDIRECT, OR CONSEQUENTIAL DAMAGES RESULTING FROM CUSTOMER'S POSSESSION OR USE OF THE EVALUATION BOARD, INCLUDING BUT NOT LIMITED TO LOST PROFITS, DELAY COSTS, LABOR COSTS OR LOSS OF GOODWILL. ADI'S TOTAL LIABILITY FROM ANY AND ALL CAUSES SHALL BE LIMITED TO THE AMOUNT OF ONE HUNDRED US DOLLARS (\$100.00). EXPORT. Customer agrees that it will not directly or indirectly export the Evaluation Board to another country, and that it will comply with all applicable United States federal laws and regulations relating to exports. GOVERNING LAW. This Agreement shall be governed by and construed in accordance with the substantive laws of the Commonwealth of Massachusetts (excluding conflict of law rules). Any legal action regarding this Agreement will be heard in the state or federal courts having jurisdiction in Suffolk County, Massachusetts, and Customer hereby submits to the personal jurisdiction and venue of such courts. The United Nations Convention on Contracts for the International Sale of Goods shall not apply to this Agreement and is expressly disclaimed.

X-ON Electronics

Largest Supplier of Electrical and Electronic Components

Click to view similar products for [Power Management IC Development Tools](#) category:

Click to view products by [Analog Devices](#) manufacturer:

Other Similar products are found below :

[EVAL-ADM1168LQEBZ](#) [EVB-EP5348UI](#) [MIC23451-AAAYFL EV](#) [MIC5281YMME EV](#) [DA9063-EVAL](#) [ADP122-3.3-EVALZ](#) [ADP130-0.8-EVALZ](#) [ADP130-1.2-EVALZ](#) [ADP130-1.5-EVALZ](#) [ADP130-1.8-EVALZ](#) [ADP1714-3.3-EVALZ](#) [ADP1716-2.5-EVALZ](#) [ADP1740-1.5-EVALZ](#) [ADP1752-1.5-EVALZ](#) [ADP1828LC-EVALZ](#) [ADP1870-0.3-EVALZ](#) [ADP1871-0.6-EVALZ](#) [ADP1873-0.6-EVALZ](#) [ADP1874-0.3-EVALZ](#) [ADP1882-1.0-EVALZ](#) [ADP199CB-EVALZ](#) [ADP2102-1.25-EVALZ](#) [ADP2102-1.875EVALZ](#) [ADP2102-1.8-EVALZ](#) [ADP2102-2-EVALZ](#) [ADP2102-3-EVALZ](#) [ADP2102-4-EVALZ](#) [ADP2106-1.8-EVALZ](#) [ADP2147CB-110EVALZ](#) [AS3606-DB](#) [BQ24010EVM](#) [BQ24075TEVM](#) [BQ24155EVM](#) [BQ24157EVM-697](#) [BQ24160EVM-742](#) [BQ24296MEVM-655](#) [BQ25010EVM](#) [BQ3055EVM](#) [NCV891330PD50GEVB](#) [ISLUSBI2CKIT1Z](#) [LM2744EVAL](#) [LM2854EVAL](#) [LM3658SD-AEV/NOPB](#) [LM3658SDEV/NOPB](#) [LM3691TL-1.8EV/NOPB](#) [LM4510SDEV/NOPB](#) [LM5033SD-EVAL](#) [LP38512TS-1.8EV](#) [EVAL-ADM1186-1MBZ](#) [EVAL-ADM1186-2MBZ](#)