

LT6350CMS8

 Low Noise Single-Ended to Differential Amplifier
 SAR ADC Driver

DESCRIPTION

Demonstration Circuit 1538A supports the LT6350, a Low Noise Single Ended to Differential Amplifier / SAR ADC Driver. The LT6350 contains an un-dedicated open-loop “Opamp1”, and a dedicated inverting “Opamp2” in a gain of -1. Opamp1 has Rail to Rail inputs and output. Opamp2 has a Rail to Rail output. See Figure 1.

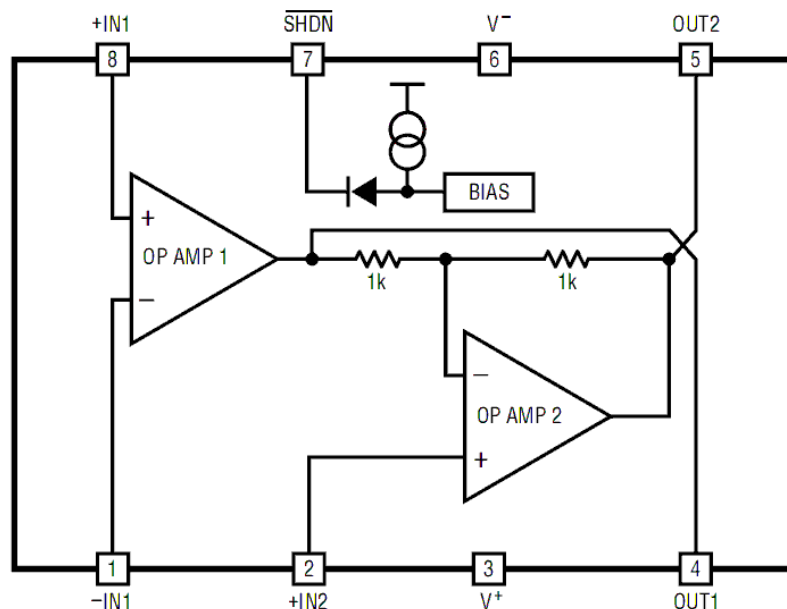
Design files for this circuit board are available. Call the LTC factory.

LT, are registered trademarks of Linear Technology Corporation. Other product names may be trademarks of the companies that manufacture the products.

PERFORMANCE SUMMARY Specifications are typical at $T_A = 25^\circ\text{C}$, $V_S = \pm 5\text{V}$

SYMBOL	PARAMETER	CONDITIONS, COMMENTS	TYP	UNITS
V_S	Supply Voltage Range	Single Supply	2.7V to 12V	V
		Split Supply	+/-1.35V to +/-6V	V
V_{cm}	Input Voltage Range	Op Amp 1	Rail to Rail	V
		Op Amp 2	$V_{S-} + 1.5\text{V}$ to $V_{S+} - 0.1\text{V}$	V
BW	-3dB Bandwidth	Small signal, differential output	33	MHz
V_{out}	Output Voltage Swing	Each output, to either rail, no load	55	mV
I_{CC}	Supply Current	$V_S = \pm 5\text{V}$	4.8	mA

Figure 1. LT6350 Block Diagram . Opamp1 is an undedicated low noise opamp. Opamp2 is a dedicated inverter.



OPERATING PRINCIPLES

Conversion of single ended signals to differential is a basic function. It may be desired for improved transmission characteristics over twisted pair, or for driving SAR ADCs which prefer differential inputs. The LT6350 makes the single-ended to conversion easy by providing

an already connected internal inverter, Opamp2. In the simplest configuration, with Opamp1 in a gain of 1, the conversion to differential causes an effective gain of 2 overall.

QUICK START PROCEDURE

Demonstration circuit 1538 is shipped with the jumpers set for Single Supply, DC coupled operation, with Opamp1 configured in a gain of 1 (OUT1 shorted to -IN1). As the intended application is for single ended inputs, only one input BNC connector is installed (J1) and this is the excitation path for Opamp1's non-inverting input +IN1. To support Opamp1 in inverting or other applications, a footprint for another BNC was included (J3) for user installation.

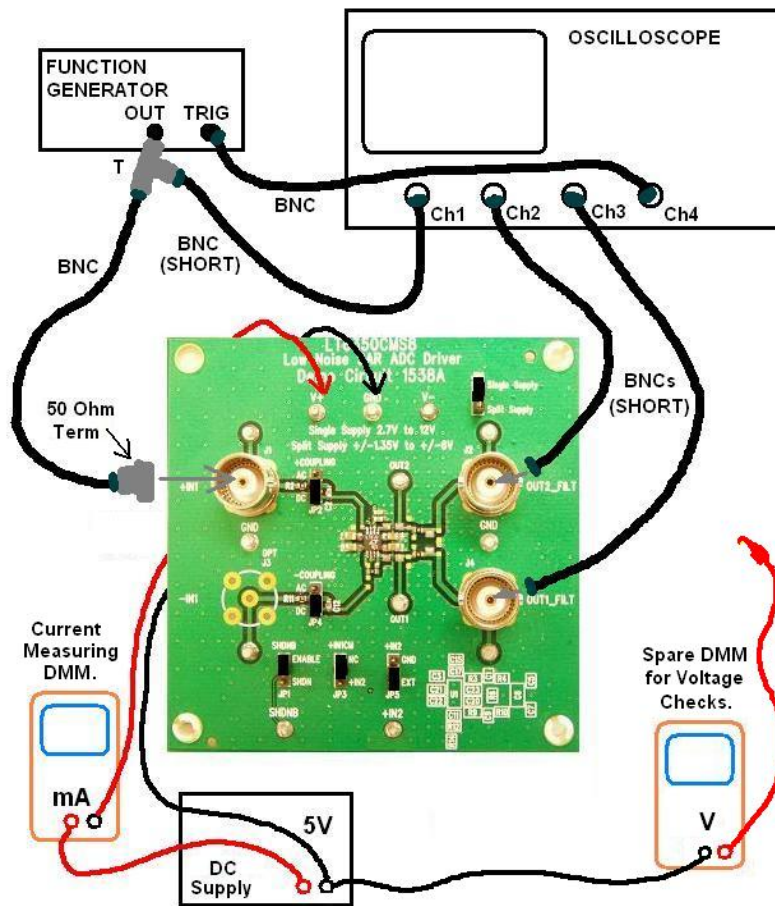


Figure 2. Proper Connections for Single Supply Operation (DMMs optional). The function generator should be set up to operate around a positive 2V DC offset. For split supply operation, set JP6 to "Split Supply" and connect a negative supply to the V- turret.

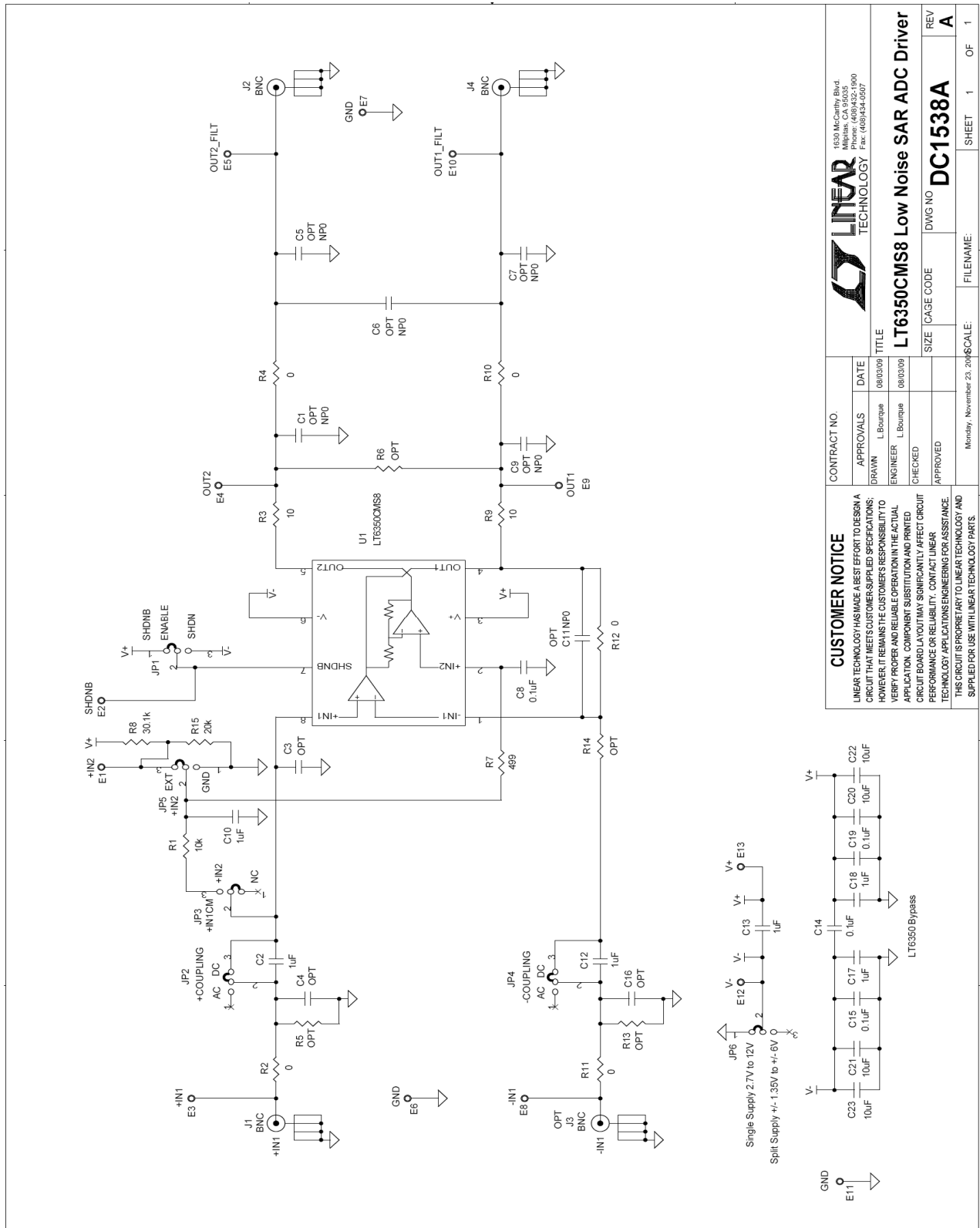


Figure 3. Circuit Schematic

		1630 McCarty Blvd Milpitas, CA 95035 Phone: (408)432-1000 Fax: (408)434-0507	
CONTRACT NO.	APPROVALS	DATE	TITLE
	DRAWN: L. Bourque	08/02/06	LT6350CMS8 Low Noise SAR ADC Driver
	ENGINEER: L. Bourque	08/02/06	REV
	CHECKED:		A
	APPROVED:		
SIZE	CASE CODE	DWG NO	REV
		DC1538A	A
Monday, November 23, 2004		SCALE	SHEET 1 OF 1
FILENAME:			

CUSTOMER NOTICE
 LINEAR TECHNOLOGY HAS MADE A BEST EFFORT TO DESIGN A CIRCUIT THAT MEETS THE CUSTOMER-SUPPLIED SPECIFICATIONS; HOWEVER, IT REMAINS THE CUSTOMER'S RESPONSIBILITY TO VERIFY PROPER AND RELIABLE OPERATION IN THE ACTUAL APPLICATION. COMPONENT SUBSTITUTION AND PRINTED CIRCUIT BOARD LAYOUT MAY SIGNIFICANTLY AFFECT CIRCUIT PERFORMANCE OR RELIABILITY. CONTACT LINEAR TECHNOLOGY APPLICATIONS ENGINEERING FOR ASSISTANCE.
 THIS CIRCUIT IS PROPRIETARY TO LINEAR TECHNOLOGY AND SUPPLIED FOR USE WITH LINEAR TECHNOLOGY PARTS.

Item	Qty	Ref - Des	Part Description	Manufacturer, Part #
REQUIRED CIRCUIT COMPONENTS:				
1	6	C2,C10,C12,C13,C17,C18	CAP., X7R, 1uF, 16V, 10% 0603	AVX, 0603YC105KAT2A
2	4	C8,C14,C15,C19	CAP., X7R, 0.1uF, 25V, 10% 0603	AVX, 06033C104KAT2A
3	4	C20,C21,C22,C23	CAP., X5R,10uF, 16V, 10% 0805	MURATA,GRM21BR61C106KE15L
4	1	R1	RES., CHIP, 10K, 1/10W, 1% 0603	VISHAY, CRCW060310K0FKEA
5	5	R2,R4,R10,R11,R12	RES., CHIP, 0, 1/10W, 0603	VISHAY, CRCW06030000Z0EA
6	2	R3,R9	RES., CHIP, 10, 1/10W, 1% 0603	VISHAY, CRCW060310R0FKEA
7	1	R7	RES., CHIP, 499, 1/10W, 1% 0603	VISHAY, CRCW0603499RFKEA
8	1	R8	RES., CHIP, 30.1K, 1/10W, 1% 0603	VISHAY, CRCW060330K1FKEA
9	1	R15	RES., CHIP, 20K, 1/10W, 1% 0603	VISHAY, CRCW060320K0FKEA
10	1	U1	Low Noise SAR ADC Driver	Linear Tech., LT6350CMS8#TRPBF
ADDITIONAL DEMO BOARD CIRCUIT COMPONENTS:				
1	5	C1,C5,C7,C9,C11 (opt.)	CAP., 0603, NP0	
2	1	C3 (opt.)	CAP., 0603	
3	3	C4,C6,C16 (opt.)	CAP., 1206, NP0	
4	2	R5,R13 (opt.)	RES., 1206	
5	2	R6,R14 (opt.)	RES., 0603	
HARDWARE				
1	13	E1-E13	TESTPOINT, TURRET, .065" pbf	MILL-MAX, 2308-2-00-80-00-00-07-0
2	4	J1,J2,J3,J4	CONN, BNC, 5 PINS	CONNEX, 112404
3	6	JP1,JP2,JP3,JP4,JP5,JP6	HEADER, 3PINS, 2mm	SAMTEC, TMM-103-02-L-S
4	6	JP1,JP2,JP3,JP4,JP5,JP6	SHUNT, 2MM CENTER	SAMTEC, 2SN-BK-G
5	4	MH1,MH2,MH3,MH4	STAND-OFF, NYLON 0.25"	KEYSTONE, 8831(SNAP ON)

Figure 4. Bill of Materials

X-ON Electronics

Largest Supplier of Electrical and Electronic Components

Click to view similar products for [Amplifier IC Development Tools](#) category:

Click to view products by [Analog Devices](#) manufacturer:

Other Similar products are found below :

[EVAL-ADCMP566BCPZ](#) [EVAL-ADCMP606BKSZ](#) [AD8013AR-14-EBZ](#) [AD8033AKS-EBZ](#) [AD8044AR-EBZ](#) [AD8225-EVALZ](#)
[ADA4859-3ACP-EBZ](#) [ADA4862-3YR-EBZ](#) [DEM-OPA-SO-2B](#) [AD744JR-EBZ](#) [AD8023AR-EBZ](#) [AD8030ARJ-EBZ](#) [AD8040ARU-EBZ](#)
[AD8073JR-EBZ](#) [AD813AR-14-EBZ](#) [AD848JR-EBZ](#) [ADA4858-3ACP-EBZ](#) [ADA4922-1ACP-EBZ](#) [551600075-001/NOPB](#) [DEM-OPA-SO-](#)
[2E](#) [THS7374EVM](#) [EVAL-ADCMP553BRMZ](#) [EVAL-ADCMP608BKSZ](#) [MIOP 42109](#) [EVAL-ADCMP609BRMZ](#) [MAX9928EVKIT+](#)
[MAX9636EVKIT+](#) [MAX9611EVKIT](#) [MAX9937EVKIT+](#) [MAX9934TEVKIT+](#) [MAX44290EVKIT#](#) [MAX2644EVKIT](#) [MAX2634EVKIT](#)
[MAX4073EVKIT+](#) [DEM-OPA-SO-2C](#) [MAX2643EVKIT](#) [ISL28158EVAL1Z](#) [MAX40003EVKIT#](#) [MAX2473EVKIT](#) [MAX2472EVKIT](#)
[MAX4223EVKIT](#) [MAX9700BEVKIT](#) [MADL-011014-001SMB](#) [DC1685A](#) [DEM-OPA-SO-2D](#) [MAX2670EVKIT#](#) [DEM-OPA-SO-1E](#)
[AD8137YCP-EBZ](#) [EVAL-ADA4523-1ARMZ](#) [MAX44242EVKIT#](#)