

42V, 750mA Step-Down Regulator with 2.5 μ A Quiescent Current

DESCRIPTION

Demonstration circuit 1730A features the LT3973, a monolithic step-down switching regulator which consumes only 2.5 μ A quiescent current. The demo circuit is designed for a 5V, 750mA output from a 5.6V to 42V input. The wide input range of the LT3973 allows a variety of input sources including automotive batteries and 24V industrial supplies. In order to reduce the number of components and solution size, the catch diode and boost diode are integrated. The switching frequency is adjustable up to 2.2MHz. At light loads, the regulator operates in Burst Mode[®] to maintain high efficiency and low output ripple.

The current mode control scheme creates fast transient response and good loop stability. During short circuit and

overvoltage conditions, the catch diode current is limited to protect the part. Users can populate R7 and R8 on the EN/UVLO pin to provide a programmable undervoltage lockout. In addition, the shutdown feature can be utilized by placing jumper JP1 in the OFF position.

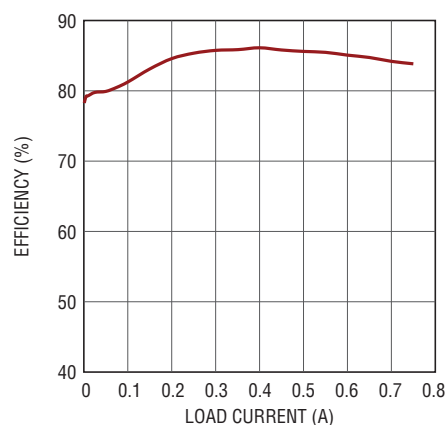
The LT3973 data sheet gives a complete description of the part, operation and application information. The data sheet must be read in conjunction with this quick start guide for working on or modifying the demo circuit 1730A.

Design files for this circuit board are available at <http://www.linear.com/demo>

LT, LT, LTC, LTM, Burst Mode, Linear Technology and the Linear logo are registered trademarks of Linear Technology Corporation. All other trademarks are the property of their respective owners.

PERFORMANCE SUMMARY (T_A = 25°C)

PARAMETER	CONDITIONS	VALUE
Minimum Input Voltage		5.6V
Maximum Input Voltage		42V
Output Voltage		5.04V \pm 3%
Maximum Output Current		750mA
Typical Switching Frequency		600kHz
Typical Efficiency	V _{IN} = 12V, I _{OUT} = 750mA	84%



dc1730af F01

Figure 1. DC1730A Efficiency: V_{IN} = 12V, V_{OUT} = 5V, 600kHz

dc1730af

QUICK START PROCEDURE

Demonstration circuit 1730A is easy to set up to evaluate the performance of the LT3973. Refer to Figure 2 for proper measurement equipment setup and follow the procedure below:

1. Place Jumper JP1 in the ON position.
2. With power off, connect the input power supply to VIN and GND.
3. With power off, connect load from VOUT to GND.
4. Turn on the power at the input.

NOTE. Make sure that the input voltage does not exceed 42V.

5. Check for the proper output voltage.

NOTE. If there is no output, temporarily disconnect the load to make sure that the load is not set too high or is shorted.

6. Once the proper output voltages are established, adjust the loads within the operating range and observe the output voltage regulation, ripple voltage, efficiency and other parameters.

QUICK START PROCEDURE

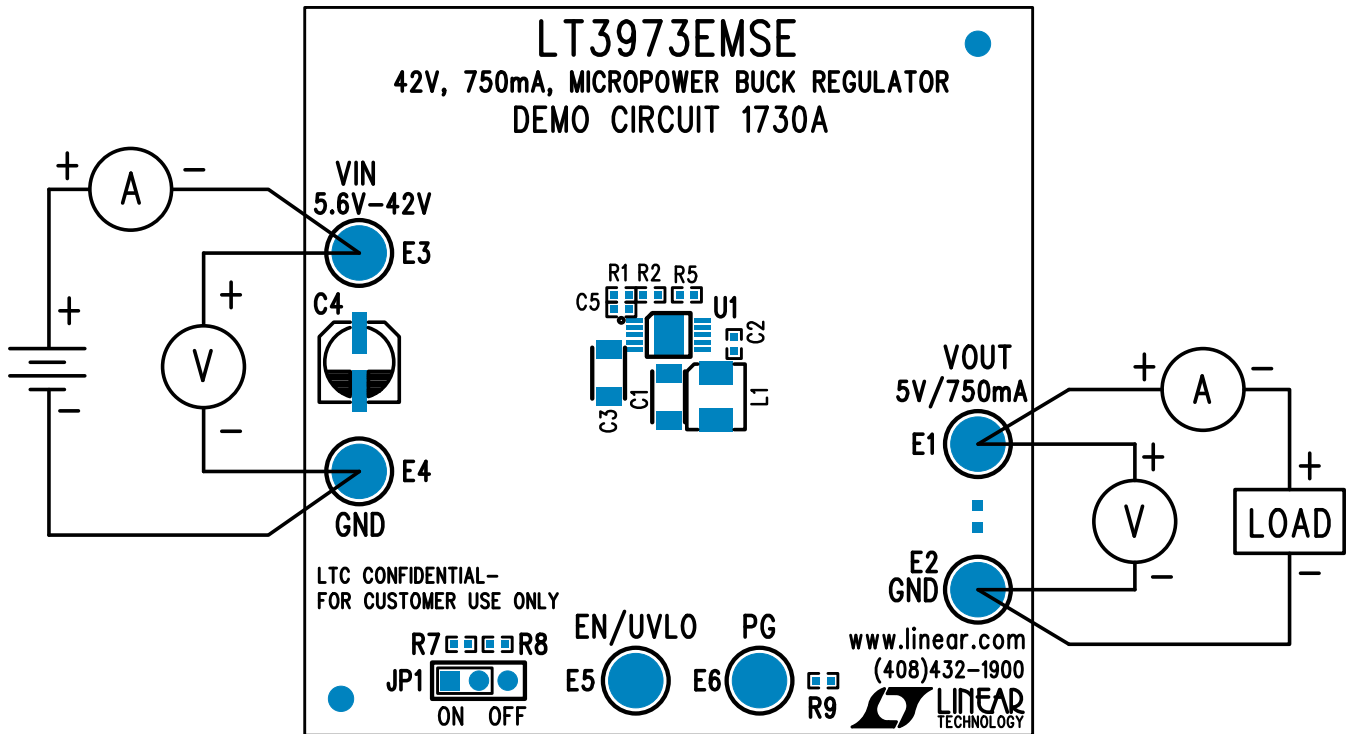


Figure 2. DC1730A Proper Measurement Equipment Setup

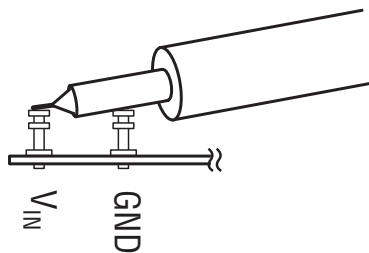


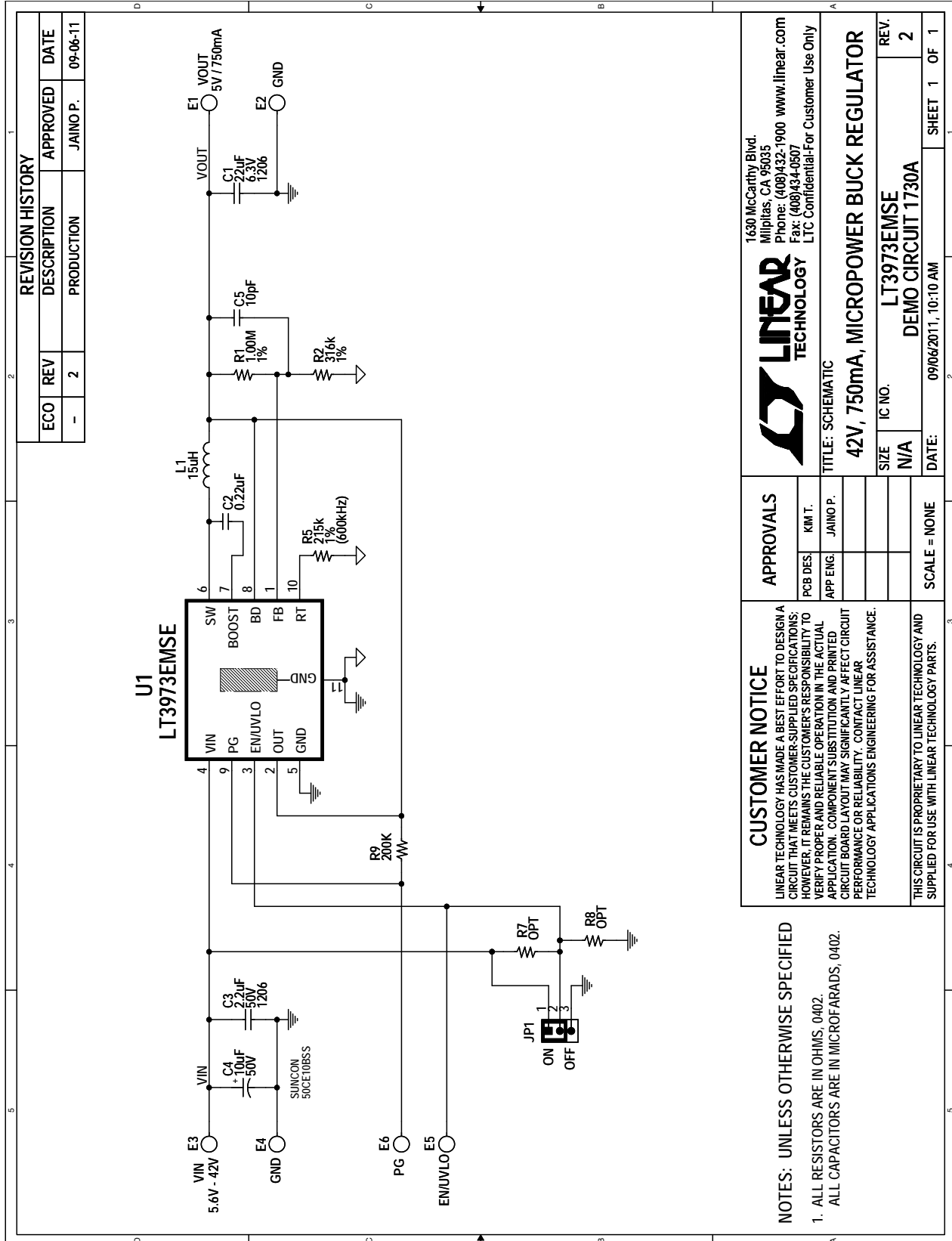
Figure 3. Measuring Input or Output Ripple

DEMO MANUAL DC1730A

PARTS LIST

ITEM	QTY	REFERENCE	PART DESCRIPTION	MANUFACTURER/PART NUMBER
REQUIRED CIRCUIT COMPONENTS				
1	1	C1	CAP, X5R 22 μ F 6.3V 20% 1206	TAIYO YUDEN JMK316BJ226ML-T
2	1	C2	CAP, X5R 0.22 μ F 10V 20% 0402	AVX, 0402ZD224MAT2A
3	1	C3	CAP, X7R 2.2 μ F 50V 10% 1206	MURATA, GRM31CR71H225KA88L
4	1	C5	CAP, NPO, 10pF, 25V, 10%, 0402	AVX, 04023A100KAT2A
5	1	L1	IND, 15 μ H	COOPER/COILTRONICS, MPI4040R3-150-R
6	1	R1	RES., CHIP, 1.00M, 1/16W, 1%, 0402	NIC, NRC04F1004TRF
7	1	R2	RES., CHIP, 316k, 1/16W, 1%, 0402	NIC, NRC04F3163TRF
8	1	R5	RES., CHIP, 215k, 1/16W, 1%, 0402	NIC, NRC04F2153TRF
9	1	R9	RES., CHIP, 200k, 1/16W, 5%, 0402	NIC, NRC04J204TRF
10	1	U1	I.C., Buck Reg. MSE10	LINEAR TECH., LT3973EMSE
ADDITIONAL DEMO BOARD CIRCUIT COMPONENTS				
1	1	C4	CAP, ALUMINUM EL. 10 μ F, 50V	SUN ELECT, 50CE10BSS
2	0	R7-R8	RES., 0402	
HARDWARE FOR DEMO BOARD ONLY				
1	6	E1-E6	TURRET, 0.094"	MILL-MAX, 2501-2-00-80-00-00-07-0
2	1	JP1	JMP, 1X3-079	WÜRTH, 62000311121
3	1	SHUNT	SHUNT, 2mm Ctrs.	WÜRTH, 60800213421

SCHEMATIC DIAGRAM



REVISION HISTORY				
ECO	REV	DESCRIPTION	APPROVED	DATE
-	2	PRODUCTION	JAINO P.	09-06-11

LINEAR TECHNOLOGY
 1630 McCarthy Blvd.
 Milpitas, CA 95035
 Phone: (408)432-1900 www.linear.com
 Fax: (408)434-0507
 LTC Confidential For Customer Use Only

TITLE: SCHEMATIC
42V, 750mA, MICROPOWER BUCK REGULATOR

SIZE: N/A IC NO: **LT3973EMSE** REV: **2**
 DATE: 09/06/2011, 10:10 AM DEMO CIRCUIT 1730A SHEET 1 OF 1

CUSTOMER NOTICE
 LINEAR TECHNOLOGY HAS MADE A BEST EFFORT TO DESIGN A CIRCUIT THAT MEETS CUSTOMER-SUPPLIED SPECIFICATIONS; HOWEVER, IT REMAINS THE CUSTOMER'S RESPONSIBILITY TO VERIFY PROPER AND RELIABLE OPERATION IN THE ACTUAL APPLICATION. COMPONENT SUBSTITUTION AND PRINTED CIRCUIT BOARD LAYOUT MAY SIGNIFICANTLY AFFECT CIRCUIT PERFORMANCE OR RELIABILITY. CONTACT LINEAR TECHNOLOGY APPLICATIONS ENGINEERING FOR ASSISTANCE.

APPROVALS
 PCB DES: KM.T.
 APP ENG: JAINO P.

SCALE = NONE

THIS CIRCUIT IS PROPRIETARY TO LINEAR TECHNOLOGY AND SUPPLIED FOR USE WITH LINEAR TECHNOLOGY PARTS.

NOTES: UNLESS OTHERWISE SPECIFIED
 1. ALL RESISTORS ARE IN OHMS, 0402.
 ALL CAPACITORS ARE IN MICROFARADS, 0402.

DEMO MANUAL DC1730A

DEMONSTRATION BOARD IMPORTANT NOTICE

Linear Technology Corporation (LTC) provides the enclosed product(s) under the following **AS IS** conditions:

This demonstration board (DEMO BOARD) kit being sold or provided by Linear Technology is intended for use for **ENGINEERING DEVELOPMENT OR EVALUATION PURPOSES ONLY** and is not provided by LTC for commercial use. As such, the DEMO BOARD herein may not be complete in terms of required design-, marketing-, and/or manufacturing-related protective considerations, including but not limited to product safety measures typically found in finished commercial goods. As a prototype, this product does not fall within the scope of the European Union directive on electromagnetic compatibility and therefore may or may not meet the technical requirements of the directive, or other regulations.

If this evaluation kit does not meet the specifications recited in the DEMO BOARD manual the kit may be returned within 30 days from the date of delivery for a full refund. **THE FOREGOING WARRANTY IS THE EXCLUSIVE WARRANTY MADE BY THE SELLER TO BUYER AND IS IN LIEU OF ALL OTHER WARRANTIES, EXPRESSED, IMPLIED, OR STATUTORY, INCLUDING ANY WARRANTY OF MERCHANTABILITY OR FITNESS FOR ANY PARTICULAR PURPOSE. EXCEPT TO THE EXTENT OF THIS INDEMNITY, NEITHER PARTY SHALL BE LIABLE TO THE OTHER FOR ANY INDIRECT, SPECIAL, INCIDENTAL, OR CONSEQUENTIAL DAMAGES.**

The user assumes all responsibility and liability for proper and safe handling of the goods. Further, the user releases LTC from all claims arising from the handling or use of the goods. Due to the open construction of the product, it is the user's responsibility to take any and all appropriate precautions with regard to electrostatic discharge. Also be aware that the products herein may not be regulatory compliant or agency certified (FCC, UL, CE, etc.).

No License is granted under any patent right or other intellectual property whatsoever. **LTC assumes no liability for applications assistance, customer product design, software performance, or infringement of patents or any other intellectual property rights of any kind.**

LTC currently services a variety of customers for products around the world, and therefore this transaction **is not exclusive**.

Please read the DEMO BOARD manual prior to handling the product. Persons handling this product must have electronics training and observe good laboratory practice standards. **Common sense is encouraged.**

This notice contains important safety information about temperatures and voltages. For further safety concerns, please contact a LTC application engineer.

Mailing Address:

Linear Technology
1630 McCarthy Blvd.
Milpitas, CA 95035

Copyright © 2004, Linear Technology Corporation

X-ON Electronics

Largest Supplier of Electrical and Electronic Components

Click to view similar products for [Power Management IC Development Tools](#) category:

Click to view products by [Analog Devices](#) manufacturer:

Other Similar products are found below :

[EVAL-ADM1168LQEBZ](#) [EVB-EP5348UI](#) [MIC23451-AAAYFL EV](#) [MIC5281YMME EV](#) [DA9063-EVAL](#) [ADP122-3.3-EVALZ](#) [ADP130-0.8-EVALZ](#) [ADP130-1.2-EVALZ](#) [ADP130-1.5-EVALZ](#) [ADP130-1.8-EVALZ](#) [ADP1714-3.3-EVALZ](#) [ADP1716-2.5-EVALZ](#) [ADP1740-1.5-EVALZ](#) [ADP1752-1.5-EVALZ](#) [ADP1828LC-EVALZ](#) [ADP1870-0.3-EVALZ](#) [ADP1871-0.6-EVALZ](#) [ADP1873-0.6-EVALZ](#) [ADP1874-0.3-EVALZ](#) [ADP1882-1.0-EVALZ](#) [ADP199CB-EVALZ](#) [ADP2102-1.25-EVALZ](#) [ADP2102-1.875EVALZ](#) [ADP2102-1.8-EVALZ](#) [ADP2102-2-EVALZ](#) [ADP2102-3-EVALZ](#) [ADP2102-4-EVALZ](#) [ADP2106-1.8-EVALZ](#) [ADP2147CB-110EVALZ](#) [AS3606-DB](#) [BQ24010EVM](#) [BQ24075TEVM](#) [BQ24155EVM](#) [BQ24157EVM-697](#) [BQ24160EVM-742](#) [BQ24296MEVM-655](#) [BQ25010EVM](#) [BQ3055EVM](#) [NCV891330PD50GEVB](#) [ISLUSBI2CKIT1Z](#) [LM2744EVAL](#) [LM2854EVAL](#) [LM3658SD-AEV/NOPB](#) [LM3658SDEV/NOPB](#) [LM3691TL-1.8EV/NOPB](#) [LM4510SDEV/NOPB](#) [LM5033SD-EVAL](#) [LP38512TS-1.8EV](#) [EVAL-ADM1186-1MBZ](#) [EVAL-ADM1186-2MBZ](#)