

# LTC2323/LTC2321

## Dual 16-Bit/14-Bit/12-Bit, 5MSPS/2MSPS, Serial, High Speed SAR ADCs

### DESCRIPTION

Demonstration circuit 1996A features the **LTC®2323** family. With up to 5MSPS, these differential, dual channel, 16-bit, serial, high speed successive approximation register (SAR) ADCs are available in a 28-lead QFN package. The LTC2323 family has an internal 20ppm/°C reference and an SPI-compatible serial interface that supports CMOS and LVDS logic. Note the demo board is configured for CMOS operation by default; see the note under JP3 for LVDS operation. The following text refers to the LTC2323, but applies to all members of the family, the only difference being the sample rate and the number of bits. The

DC1996A demonstrates the DC and AC performance of the LTC2323 in conjunction with the DC890 PScope™ data collection board. Alternatively, by connecting the DC1996A into a customer application, the performance of the LTC2323 can be evaluated directly in that circuit.

**Design files for this circuit board are available at <http://www.linear.com/demo>**

LT, LT, LTC, LTM, Linear Technology and the Linear logo are registered trademarks and PScope is a trademark of Linear Technology Corporation. All other trademarks are the property of their respective owners.

### BOARD PHOTO

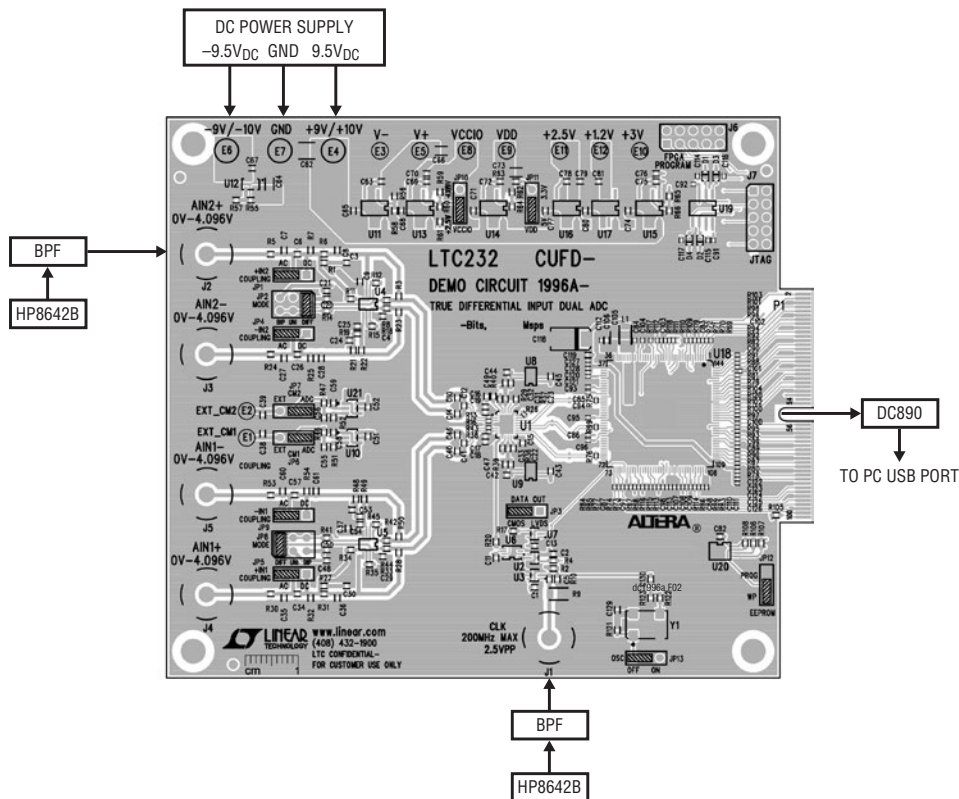


Figure 1. DC1996A Connection Diagram

## ASSEMBLY OPTIONS

**Table 1. DC1996A Assembly Options**

VERSION	U1 PART NUMBER	MAX CONVERSION RATE	# OF BITS	MAX CLOCK FREQUENCY
DC1996A-A	LTC2323CUFD-16#PBF	5Msps	16	110MHz
DC1996A-B	LTC2321CUFD-16#PBF	2Msps	16	64MHz
DC1996A-C	LTC2323CUFD-14#PBF	5Msps	14	110MHz
DC1996A-D	LTC2321CUFD-14#PBF	2Msps	14	62MHz
DC1996A-E	LTC2323CUFD-12 #PBF	5Msps	12	95MHz
DC1996A-F	LTC2321CUFD-12#PBF	2Msps	12	58MHz

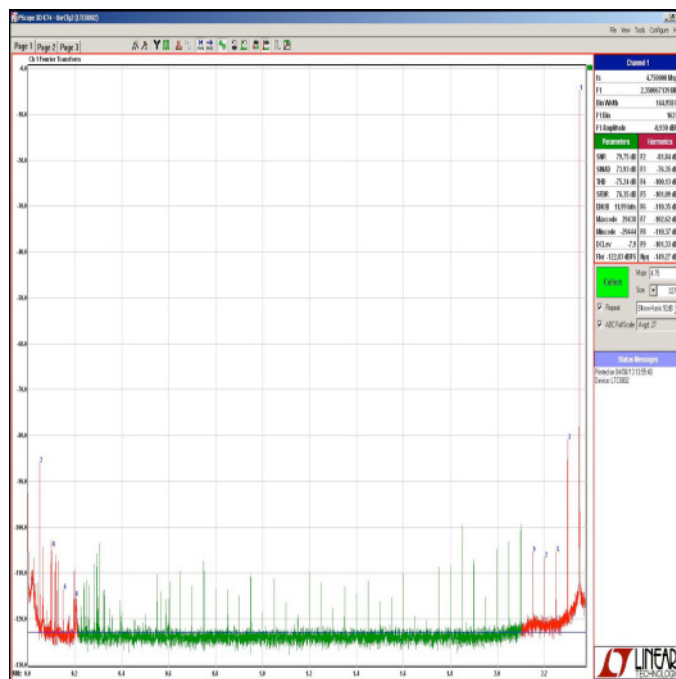
## QUICK START PROCEDURE

Demonstration circuit 1996A is easy to set up and evaluate for performance. Refer to Figure 1 and follow the procedure below.

- Connect the DC1996A to a DC890 USB high speed data collection board using edge connector P1.
- Connect the DC890 to a host PC with a standard USB A/B cable.
- Apply a low jitter signal source to J2 to test channel 2, or to J4 to test channel 1. Note that the DC1996A is capable of accepting a differential input signal as well as a single-ended signal. See the Hardware Setup section for the jumper positions that correspond to these configurations.
- As a clock source, apply a low jitter 10dBm sine wave or square wave to connector J1. See Table 1 for maximum clock frequencies. Note that J1 has a 50Ω termination resistor to ground.
- Run the PScope software (Pscope.exe version K73, or later) supplied with the DC890 or download it from [www.linear.com/software](http://www.linear.com/software). Complete software documentation is available from the Help menu. Updates can be downloaded from the Tools menu. Check for updates periodically, as new features may be added.

The PScope software should recognize the DC1996A and configure itself automatically.

- Click the Collect button (Figure 2) to begin acquiring data. The Collect button then changes to Pause, which can be used to stop data acquisition.



**Figure 2. DC1996A PScope Screenshot**

## HARDWARE SETUP

### SIGNAL CONNECTIONS

**J1 CLK IN:** This input has a 50Ω termination resistor, and is intended to be driven by a low jitter 10dBm sine or square wave. To achieve the full AC performance of this part, the clock jitter should be kept under 2ps. This input is capacitively coupled so that the input clock can be either 0V to 3.3V or ±1.65V. This eliminates the need for level shifting. To run at the maximum conversion rate, apply the frequency specified in the Table 1.

**J2 Ch2+ Input:** In the single-ended configuration, this is the channel 2 signal input. For differential operation, this serves as the positive channel 2 signal input.

**J3 Ch2– Input:** This input is used only for differential operation. It serves as the negative channel 2 signal input.

**J4 Ch1+ Input:** In the single-ended configuration, this is the channel 1 signal input. For differential operation, this serves as the positive channel 1 signal input.

**J5 Ch1– Input:** This input is used only for differential operation. It serves as the negative channel 1 signal input.

**J6 FPGA Program:** Factory use only.

**J7 JTAG:** Factory use only.

**JP1 +IN2 Coupling:** Use this jumper to select AC- or DC-coupling of the signal applied to J2. The default setting is **DC**. At very low input frequencies, using AC-coupling may degrade the distortion performance.

**JP2 Mode:** Use this jumper to select the signal input mode for the channel 2 input of the LTC2323. The default setting is **Diff**. The **Diff** setting accepts a single-ended signal from J2 and applies it as a differential signal to channel 2 of the LTC2323. The **Bip** setting accepts a single-ended signal from J2 and applies it as a single-ended bipolar signal to channel 2 of the LTC2323. The **Uni** setting also accepts a single-ended signal from J2, but applies it as a unipolar signal to channel 2 of the LTC2323.

**JP3 Data Out:** Use this jumper to select the data output format from the LTC2323. The default setting is **CMOS**. The output data will not be valid if the jumper is moved to the **LVDS** position unless the following changes have been made:

Install 100Ω S0402 resistors at R26, 75, 76, 99

Reprogram the CPLD through J6 using the programming file LTC2323.pof found at:

<http://www.linear.com/demo/DC1996A>

Move JP3 to the **LVDS** position.

**JP4 –IN2 Coupling:** Use this jumper to select AC- or DC-coupling of the signal applied to J3. The default setting is **DC**. At very low input frequencies, using AC-coupling may degrade the distortion performance.

**JP5 +IN1 Coupling:** Use this jumper to select AC- or DC-coupling of the signal applied to J4. The default setting is **DC**. At very low input frequencies, using AC-coupling may degrade the distortion performance.

**JP6 CM1:** Use this jumper to set the DC bias point for the signal applied to J4 when JP5 (+IN1 coupling) is in the AC position. The default setting is **ADC**. The **EXT** setting allows the use of an externally applied common mode voltage applied at E1 (EXT\_CM1).

**JP7 CM2:** Use this jumper to set the DC bias point for the signal applied to J2 when JP1 (+IN2 coupling) is in the AC position. The default setting is **ADC**. The **EXT** setting allows the use of an externally applied common mode voltage applied at E2 (EXT\_CM2).

**JP8 Mode:** Use this jumper to select the signal input mode for the channel 1 input of the LTC2323. The default setting is **Diff**. The **Diff** setting accepts a single-ended signal from J4 and applies it as a differential signal to channel 1 of the LTC2323. The **Bip** setting accepts a single-ended signal from J4 and applies it as a single-ended bipolar signal to channel 1 of the LTC2323. The **Uni** setting also accepts a single-ended signal from J4, but applies it as a unipolar signal to channel 1 of the LTC2323.

# DEMO MANUAL DC1996A

## HARDWARE SETUP

**JP9 –IN1 Coupling:** Use this jumper to select AC- or DC-coupling of the signal applied to J5. The default setting is **DC**. At very low input frequencies, using AC-coupling may degrade the distortion performance.

**JP10 VCCIO:** Use this jumper to select the VCCIO supply voltage. The default setting is **2.5V**. The **1.8V** setting selects a 1.8V supply voltage.

**JP11 VDD:** Use this jumper to select the VDD supply voltage. The default setting is **5V**. The **3.3V** setting selects a 3.3V supply voltage.

**JP12 EEPROM:** Factory use only.

**JP13 OSC:** Use this jumper to enable the onboard encode clock source. The default setting is **OFF**. The **ON** setting energizes this source. Refer to the DC1996A schematic for additional passive elements required to use the onboard source.

## PARTS LIST

ITEM	QTY	REFERENCE	PART DESCRIPTION	MANUFACTURER/PART NUMBER
<b>Required Circuit Components</b>				
1	20	C1, C2, C4, C5, C9, C11, C13, C18, C19, C22, C23, C29, C37, C51, C52, C58, C59, C82, C129, C130	CAP., X7R, 0.1µF, 16V, 10%, 0603	NIC, NMC0603X7R104K16TRPF
2	24	C3, C6, C16, C17, C20, C21, C24-C26, C28, C30, C34, C47-C50, C53, C54, C57, C61, C70, C76, C79, C81	CAP., X5R, 10µF, 6.3V, 20%, 0603	NIC, NMC0603X5R106M6.3TRPF4KF
3	0	C7, C8, C10, C14, C27, C35, C36, C40, C41, C60	CAP., 0603	OPT
4	2	C12, C41	CAP., NPO, 200pF, 16V, 5%, 0603	MURAA, GRM1885C1H201JA01D
5	12	C15, C32, C38, C39, C43, C45, C65, C67, C68, C71, C74, C77	CAP., X7R, 1µF, 25V, 10%, 0603	TDK, C1608X7R1E105K
6	6	C31, C33, C55, C56, C106, C119	CAP., X5R, 4.7µF, 6.3V, 10%, 0603	AVX, 06036D475KAT2A
7	2	C42, C44	CAP., X5R, 2.2µF, 10V, 10%, 0603	MURATA, GRM188R61A225KE34D
8	1	C62	CAP., X7R, 47µF, 10V, 10%, 1210	MURATA, GRM32ER71A476KE15L
9	5	C63, C69, C72, C75, C78	CAP., X7R, 0.01µF, 6.3V, 10%, 0603	MURATA, GRM188R70J103KA01D
10	3	C64, C66, C73	CAP., X7R, 10µF, 10V, 10%, 0805	MURATA, GRM21BR71A106KE51L
11	1	C80	CAP., X5R, 3.3µF, 6.3V, 10%, 0603	AVX, 06036D335KAT2A
12	28	C83-C104, C108, C122-C126	CAP., X7R, 0.1µF, 16V, 10%, 0402	NIC, NMC0402X7R104K16TRPF
13	1	C105	CAP., X5R, 47µF, 6.3V, 20%, 0805	TAIYO YUDEN, JMK212BJ476MG-T
14	3	C107, C120, C121	CAP., X7R, 0.01µF, 16V, 10%, 0402	NIC, NMC0402X7R103K16TRPF
15	1	C109	CAP., X7R, 1nF, 16V, 10%, 0402	AVX, 0402YC102KAT2A
16	3	C110, C111, C112	CAP., X7R, 22nF, 16V, 10%, 0402	AVX, 0402YC223KAT2A
17	2	C113, C128	CAP., X7R, 4.7nF, 16V, 10%, 0402	AVX, 0402YC472KAT2A
18	4	C114, C115, C116, C117	CAP., NPO, 10pF, 16V, 10%, 0402	AVX, 0402YA100KAT2A
19	1	C118	CAP., TANT, 470µF 10V, 20%, 7343	AVX, TPSE477M010R0050
20	1	C127	CAP., X7R, 2.2nF, 16V, 10%, 0402	AVX, 0402YC222KAT2A
21	4	D1, D2, D3, D4	DIODE, SCHOTTKY, 30V, 200mW SOD-323	DIODE INC., BAT54WS-7-F
22	9	E1-E3, E5, E8-E12	TEST POINT, TURRET, 0.064"	MILL-MAX, 2308-2-00-80-00-00-07-0
23	3	E4, E6, E7	TEST POINT, TURRET, 0.094"	MILL-MAX, 2501-2-00-80-00-00-07-0

dc1996afb

## PARTS LIST

ITEM	QTY	REFERENCE	PART DESCRIPTION	MANUFACTURER/PART NUMBER
24	11	JP1, JP3-JP7, JP9-JP11, JP13, JP15	HEADER, 1x3, 0.100"	SAMTEC, TSW-103-07-L-S
25	2	JP2, JP8	HEADER, 2x3, 0.100"	SAMTEC, TSW-103-07-L-D
26	2	J6, J7	HEADER, 2x5, 0.100"	SAMTEC, TSW-105-07-L-D
27	5	J1, J2, J3, J4, J5	CONN BNC FEM JACK PC MNT STRGHT	AMPHENOL CONNEX, 112404
28	1	L1	IND, FERRITE CHIP, 390Ω, 2000mA, 1206	MURATA, BLM31PG391SN1L
29	15	R1, R2, R10, R21, R27, R46-R48, R51, R52, R57, R58, R60, R64, R66	RES., CHIP, 1k, 1/10W, 1%, 0603	PANASONIC, ERJ-3EKF1001V
30	0	R3, R7, R11, R22, R23, R25, R28, R29, R32, R34, R36, R37, R49, R50, R54, R123	RES., CHIP, 0603	OPT
31	2	R4, R17	RES., CHIP, 33Ω, 1/10W, 5%, 0603	PANASONIC, ERJ-3GEYJ330V
32	11	R5, R6, R12, R20, R24, R30, R31, R35, R39, R40, R53	RES., CHIP, 0Ω, 1/10W, 0603	PANASONIC, ERJ-3GEY0R00V
33	4	R8, R18, R33, R44	RES., CHIP, 49.9Ω, 1/10W, 1%, 0603	PANASONIC, ERJ-3EKF49R9V
34	1	R9	RES., CHIP, 49.9Ω, 1/4W, 1%, 1206	PANASONIC, ERJ-8ENF49R9V,
35	4	R13, R16, R38, R43	RES., CHIP, 0Ω, 1/16W, 0402	PANASONIC, ERJ-2GE0R00X
36	4	R14, R15, R41, R42	RES., CHIP, 301, 1/10W, 1%, 0603	PANASONIC, ERJ-3EKF3010V
37	2	R19, R45	RES., CHIP, 150, 1/10W, 1%, 0603	PANASONIC, ERJ-3EKF1500V
38	0	R26, R75, R76, R99	RES., CHIP, 0402	
39	2	R55, R56	RES., CHIP, 3.92k, 1/10W, 1%, 0603	PANASONIC, ERJ-3EKF3921V
40	1	R59	RES., CHIP, 499Ω, 1/10W, 1%, 0603	PANASONIC, ERJ-3EKF4990V
41	1	R61	RES., CHIP, 866Ω, 1/10W, 1%, 0603	PANASONIC, ERJ-3EKF8660V
42	1	R62	RES., CHIP, 3.09k, 1/10W, 1%, 0603	PANASONIC, ERJ-3EKF3091V
43	1	R63	RES., CHIP, 4.02k, 1/10W, 1%, 0603	PANASONIC, ERJ-3EKF4021V
44	1	R65	RES., CHIP, 1.43k, 1/10W, 1%, 0603	PANASONIC, ERJ-3EKF1431V
45	33	R69-R72, R77-R98, R100-R104, R119, R120	RES., CHIP, 33Ω, 1/16W, 5%, 0402	PANASONIC, ERJ-2GEJ330X
46	1	R118	RES., CHIP, 1k, 1/16W, 1%, 0402	PANASONIC, ERJ-2EKF1001V
47	4	R105, R106, R107, R108	RES., CHIP, 4.99k, 1/10W, 1%, 0603	PANASONIC, ERJ-3EKF4991V
48	9	R109-R117	RES., CHIP, 10k, 1/16W, 5%, 0402	PANASONIC, ERJ-2GEYJ103V
49	1	R121	RES., CHIP, 10k, 1/16W, 5%, 0603	PANASONIC, ERJ-3GEYJ103V
50	1	R122	RES., CHIP, 100Ω, 1/10W, 1%, 0603	PANASONIC, ERJ-3EKF1000V
51	3	U2, U3, U7	IC, INVERTER, UHS, SINGLE, SC70-5	FAIRCHILD, NC7SZ04P5X
52	2	U4, U5	IC, 400MHZ, AMPLIFIER, MS8	LINEAR TECHNOLOGY, LT1819CMS8#PBF
53	1	U6	IC, FLIP FLOP, D-TYPE LOG, US8	ON SEMI., NL17SZ74USG
54	2	U8, U9	IC, VOLTAGE REFERENCE, MSOP8	LINEAR TECHNOLOGY, LTC6655BHMS8-4.096#PBF
55	2	U10, U21	IC, OP-AMP, MS8	LINEAR TECHNOLOGY, LT6202CS5#PBF
56	4	U11, U13, U14, U15	IC, MICROPOWER REGULATOR, SO8	LINEAR TECHNOLOGY, LT1763CS8#PBF
57	1	U12	IC, MICROPOWER NEG. REGULATOR, SOT-23	LINEAR TECHNOLOGY, LT1964ES5-SD#PBF
58	1	U16	IC, MICROPOWER REGULATOR, SO8	LINEAR TECHNOLOGY, LT1763CS8-2.5#PBF
59	1	U17	IC, LINEAR REGULATOR, SO8	LINEAR TECHNOLOGY, LT3021ES8-1.2#PBF

# DEMO MANUAL DC1996A

## PARTS LIST

ITEM	QTY	REFERENCE	PART DESCRIPTION	MANUFACTURER/PART NUMBER
60	1	U18	IC, EQFP, CYCLONE3, WIRE BOND, EQFP144	ALTERA, EP3C5E144C7
61	1	U19	IC, 4-BIT, FLASH MEMORY, SO8	ALTERA, EPCS4SI8
62	1	U20	IC, EEPROM, 2kBIT, 400kHz, 8TSSOP	MICROCHIP, 24LC024-I/ST
63	1	Y1	OSCILLATOR, 106.2500MHz, 3.3V, SMD	CTS-FREQUENCY CONTROLS, CB3LV-3I-106M2500
64	12	SHOWN ON ASSY DWG	SHUNT, 0.100", 2POS	SAMTEC, SNT-100-BK-G
65	4	MH1-MH4	STANDOFF, NYLON, 0.25"	KEYSTONE, 8831 (SNAP-ON)

### DC1996A-A Required Circuit Components

1	1		DC1996A GENERAL BOM	
2	2	R67, R73	RES., CHIP, 1k, 1/16W, 5%, 0402	PANASONIC, ERJ-2EKF1001V
3	1	U1	I.C., DUAL SAR ADC, QFN28UFD-4X5	LINEAR TECHNOLOGY, LTC2323CUFD-16#PBF

### DC1996A-B Required Circuit Components

1	1		DC1996A GENERAL BOM	
2	2	R67, R73	RES., CHIP, 1k, 1/16W, 5%, 0402	PANASONIC, ERJ-2EKF1001V
3	1	U1	I.C., DUAL SAR ADC, QFN28UFD-4X5	LINEAR TECHNOLOGY, LTC2321CUFD-16#PBF

### DC1996A-C Required Circuit Components

1	1		DC1996A GENERAL BOM	
2	2	R68, R73	RES., CHIP, 1k, 1/16W, 5%, 0402	PANASONIC, ERJ-2EKF1001V
3	1	U1	I.C., DUAL SAR ADC, QFN28UFD-4X5	LINEAR TECHNOLOGY, LTC2323CUFD-14#PBF

### DC1996A-D Required Circuit Components

1	1		DC1996A GENERAL BOM	
2	2	R68, R73	RES., CHIP, 1k, 1/16W, 5%, 0402	PANASONIC, ERJ-2EKF1001V
3	1	U1	I.C., DUAL SAR ADC, QFN28UFD-4X5	LINEAR TECHNOLOGY, LTC2321CUFD-14#PBF

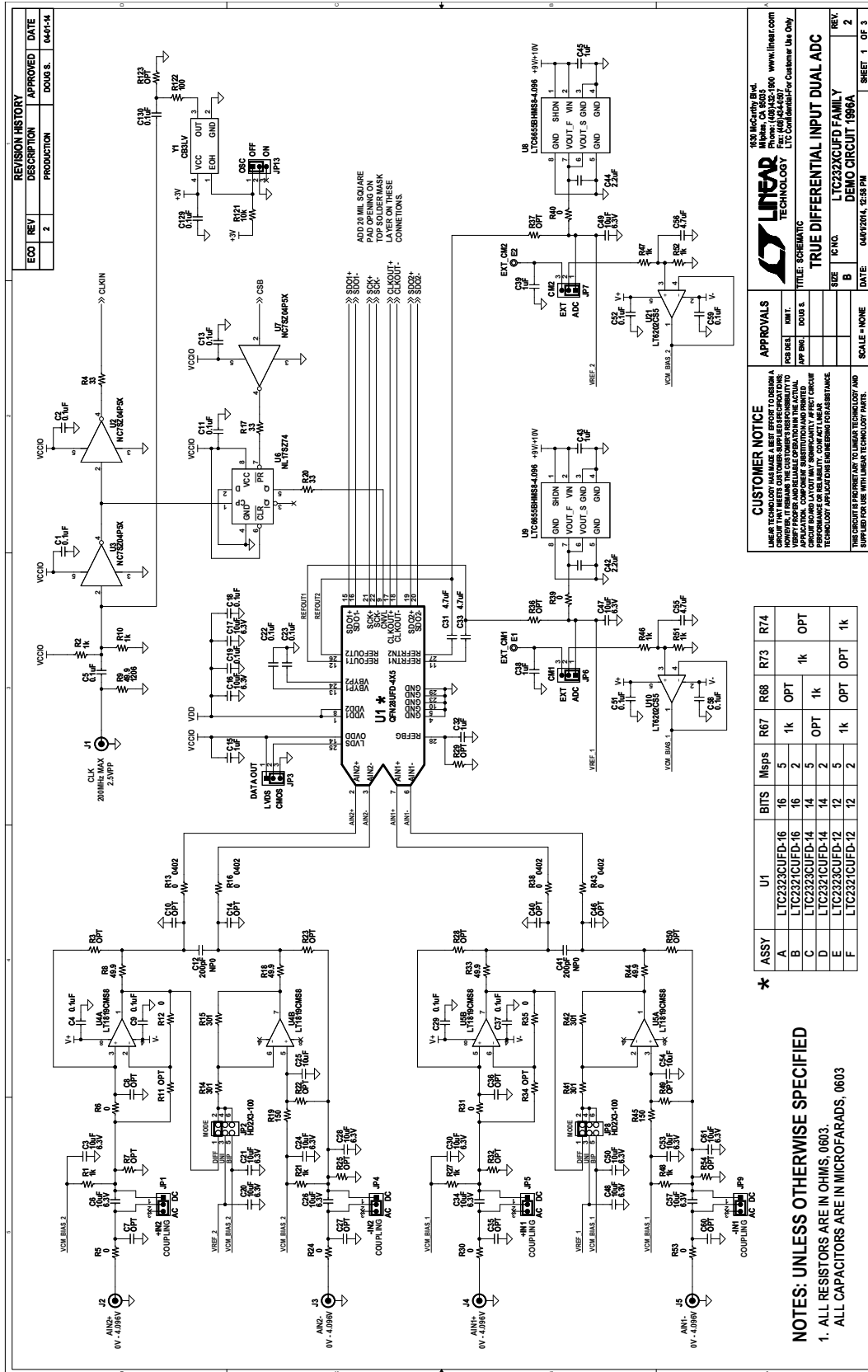
### DC1996A-E Required Circuit Components

1	1		DC1996A GENERAL BOM	
2	2	R67, R74	RES., CHIP, 1k, 1/16W, 5%, 0402	PANASONIC, ERJ-2EKF1001V
3	1	U1	I.C., DUAL SAR ADC, QFN28UFD-4X5	LINEAR TECHNOLOGY, LTC2323CUFD-12#PBF

### DC1996A-F Required Circuit Components

1	1		DC1996A GENERAL BOM	
2	2	R67, R74	RES., CHIP, 1k, 1/16W, 5%, 0402	PANASONIC, ERJ-2EKF1001V
3	1	U1	I.C., DUAL SAR ADC, QFN28UFD-4X5	LINEAR TECHNOLOGY, LTC2321CUFD-12#PBF

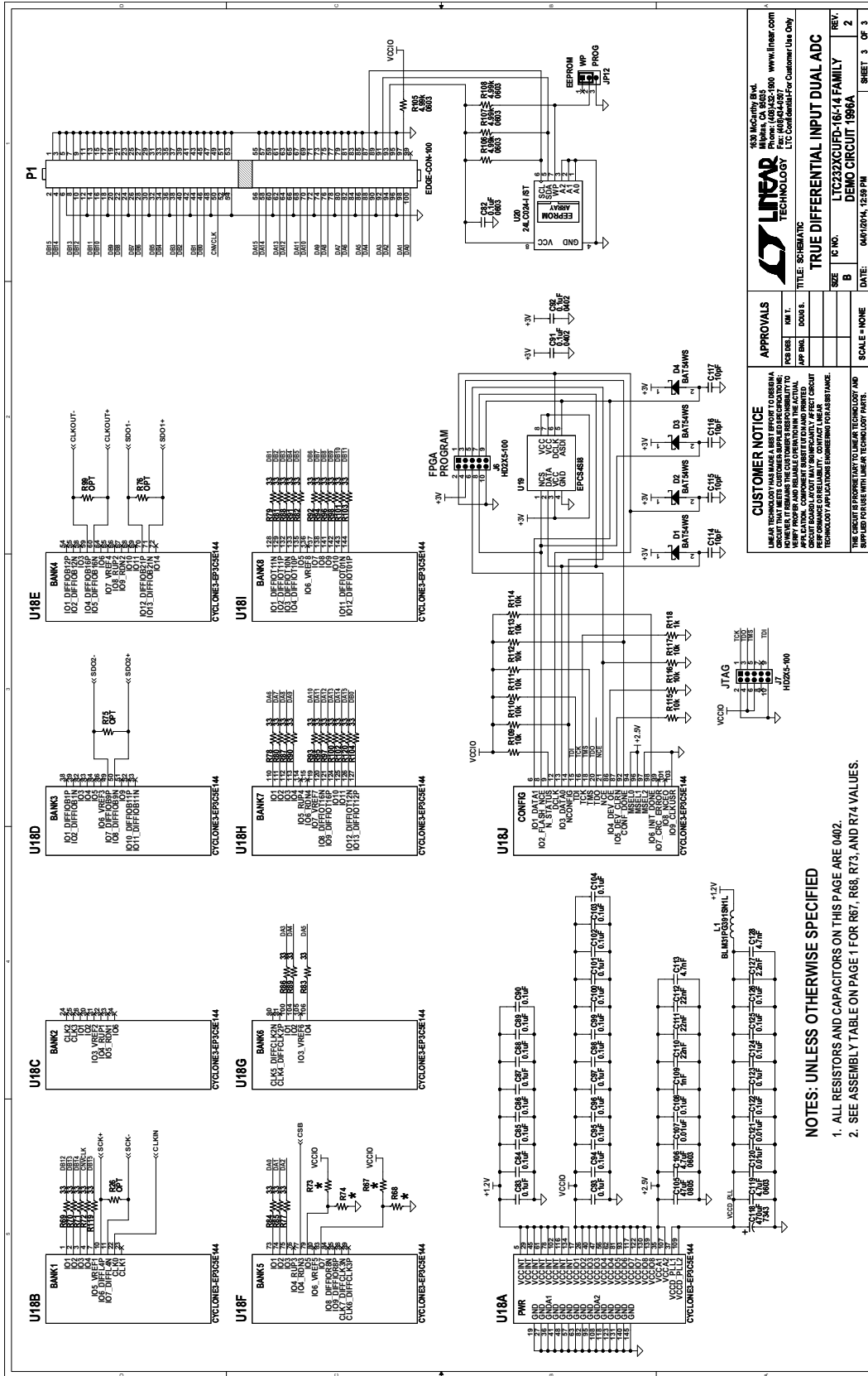
**SCHEMATIC DIAGRAMS**







SCHEMATIC DIAGRAMS



**LINEAR TECHNOLOGY**  
 1630 McCarty Blvd.  
 Fremont, CA 94538-9000 www.linear.com  
 Phone: (925) 464-2000 Fax: (925) 464-9097  
 Email: info@linear.com LTC Confidential-For Customers/Use Only

**TRUE DIFFERENTIAL INPUT DUAL ADC**  
 LDC2322CQFD-16L-14 FAMILY  
 DEMO CIRCUIT: 1996A

IC NO. 2  
 DATE: 04/12/14, 12:59 PM  
 SHEET 3 OF 3

**APPROVALS**

DESIGNER	CHKD.	DATE

**CUSTOMER NOTICE**  
 LINEAR TECHNOLOGY HAS MADE BEST EFFORTS TO OBSERVE ABOUT THAT MEETS CUSTOMER-SPECIFIED REQUIREMENTS. HOWEVER, CUSTOMER SPECIFICATIONS MAY VARY FROM THE ACTUAL PERFORMANCE OF THE PRODUCT. CUSTOMER SHOULD VERIFY PROPER AND RELIABLE OPERATION IN THE ACTUAL APPLICATION. CUSTOMER SHOULD NOT RELY ON THE PRODUCT FOR PERFORMANCE CRITICAL APPLICATIONS. CUSTOMER SHOULD CONTACT LINEAR TECHNOLOGY FOR APPLICATION SPECIFIC RECOMMENDATIONS FOR BEST PRACTICES. THE USER IS RESPONSIBLE FOR TESTING, EVALUATION, AND APPLICATION OF THE PRODUCT IN THEIR OWN SYSTEMS. LINEAR TECHNOLOGY IS NOT RESPONSIBLE FOR DAMAGES OR INJURY TO PERSONS OR PROPERTY CAUSED BY THE USE OF THIS PRODUCT. LINEAR TECHNOLOGY SHALL NOT BE LIABLE FOR DAMAGES OR INJURY TO PERSONS OR PROPERTY CAUSED BY THE USE OF THIS PRODUCT.

- NOTES: UNLESS OTHERWISE SPECIFIED**
1. ALL RESISTORS AND CAPACITORS ON THIS PAGE ARE 0402.
  2. SEE ASSEMBLY TABLE ON PAGE 1 FOR R67, R68, R73, AND R74 VALUES.

# DEMO MANUAL DC1996A

---

## DEMONSTRATION BOARD IMPORTANT NOTICE

Linear Technology Corporation (LTC) provides the enclosed product(s) under the following **AS IS** conditions:

This demonstration board (DEMO BOARD) kit being sold or provided by Linear Technology is intended for use for **ENGINEERING DEVELOPMENT OR EVALUATION PURPOSES ONLY** and is not provided by LTC for commercial use. As such, the DEMO BOARD herein may not be complete in terms of required design-, marketing-, and/or manufacturing-related protective considerations, including but not limited to product safety measures typically found in finished commercial goods. As a prototype, this product does not fall within the scope of the European Union directive on electromagnetic compatibility and therefore may or may not meet the technical requirements of the directive, or other regulations.

If this evaluation kit does not meet the specifications recited in the DEMO BOARD manual the kit may be returned within 30 days from the date of delivery for a full refund. **THE FOREGOING WARRANTY IS THE EXCLUSIVE WARRANTY MADE BY THE SELLER TO BUYER AND IS IN LIEU OF ALL OTHER WARRANTIES, EXPRESSED, IMPLIED, OR STATUTORY, INCLUDING ANY WARRANTY OF MERCHANTABILITY OR FITNESS FOR ANY PARTICULAR PURPOSE. EXCEPT TO THE EXTENT OF THIS INDEMNITY, NEITHER PARTY SHALL BE LIABLE TO THE OTHER FOR ANY INDIRECT, SPECIAL, INCIDENTAL, OR CONSEQUENTIAL DAMAGES.**

The user assumes all responsibility and liability for proper and safe handling of the goods. Further, the user releases LTC from all claims arising from the handling or use of the goods. Due to the open construction of the product, it is the user's responsibility to take any and all appropriate precautions with regard to electrostatic discharge. Also be aware that the products herein may not be regulatory compliant or agency certified (FCC, UL, CE, etc.).

No License is granted under any patent right or other intellectual property whatsoever. **LTC assumes no liability for applications assistance, customer product design, software performance, or infringement of patents or any other intellectual property rights of any kind.**

LTC currently services a variety of customers for products around the world, and therefore this transaction **is not exclusive**.

**Please read the DEMO BOARD manual prior to handling the product.** Persons handling this product must have electronics training and observe good laboratory practice standards. **Common sense is encouraged.**

This notice contains important safety information about temperatures and voltages. For further safety concerns, please contact a LTC application engineer.

Mailing Address:

Linear Technology  
1630 McCarthy Blvd.  
Milpitas, CA 95035

Copyright © 2004, Linear Technology Corporation

## X-ON Electronics

Largest Supplier of Electrical and Electronic Components

*Click to view similar products for [Data Conversion IC Development Tools](#) category:*

*Click to view products by [Analog Devices](#) manufacturer:*

Other Similar products are found below :

[EVAL-AD5063EBZ](#) [EVAL-AD5422LFEBZ](#) [EVAL-AD7265EDZ](#) [EVAL-AD7641EDZ](#) [EVAL-AD7674EDZ](#) [EVAL-AD7719EBZ](#) [EVAL-AD7767-1EDZ](#) [EVAL-AD7995EBZ](#) [AD9114-DPG2-EBZ](#) [AD9211-200EBZ](#) [AD9251-20EBZ](#) [AD9251-65EBZ](#) [AD9255-125EBZ](#) [AD9284-250EBZ](#) [AD9613-170EBZ](#) [AD9627-125EBZ](#) [AD9629-20EBZ](#) [AD9709-EBZ](#) [AD9716-DPG2-EBZ](#) [AD9737A-EBZ](#) [AD9787-DPG2-EBZ](#) [AD9993-EBZ](#) [DAC8555EVM](#) [ADS5482EVM](#) [ADS8372EVM](#) [EVAL-AD5061EBZ](#) [EVAL-AD5062EBZ](#) [EVAL-AD5443-DBRDZ](#) [EVAL-AD5570SDZ](#) [EVAL-AD7450ASDZ](#) [EVAL-AD7677EDZ](#) [EVAL-AD7992EBZ](#) [EVAL-AD7994EBZ](#) [AD9119-MIX-EBZ](#) [AD9148-M5375-EBZ](#) [AD9204-80EBZ](#) [AD9233-125EBZ](#) [AD9265-105EBZ](#) [AD9265-80EBZ](#) [AD9608-125EBZ](#) [AD9629-80EBZ](#) [AD9648-125EBZ](#) [AD9649-20EBZ](#) [AD9650-80EBZ](#) [AD9765-EBZ](#) [AD9767-EBZ](#) [AD9778A-DPG2-EBZ](#) [ADS8322EVM](#) [LM96080EB/NOPB](#) [EVAL-AD5445SDZ](#)