

# LT6110 Cable/Wire Drop Compensator

## DESCRIPTION

The DC2033A demo board features the **LT<sup>®</sup>6110** cable/wire drop compensator IC. The LT6110 is a precision high side current sense that monitors load current via a sense resistor and converts the sense voltage to a sinking or sourcing current. Using the LT6110 sourcing or sinking current to control a regulator's output voltage can compensate for the voltage loss due to a cable/wire drop. The LT6110 includes an internal sense resistor or can be used with an external sense resistor.

The DC2033A is jumper-configurable for the LT6110 to use the internal sense resistor, an external 25mΩ sense resistor, or a 5.4mΩ PCB trace sense resistor. The DC2033A default configuration is for the LT6110 to use the internal sense resistor.

**Design files for this circuit board are available at <http://www.linear.com/demo>**

LT, LT, LTC, LTM, Linear Technology and the Linear logo are registered trademarks of Linear Technology Corporation. All other trademarks are the property of their respective owners.

## TYPICAL WIRE DROP COMPENSATION CONNECTIONS

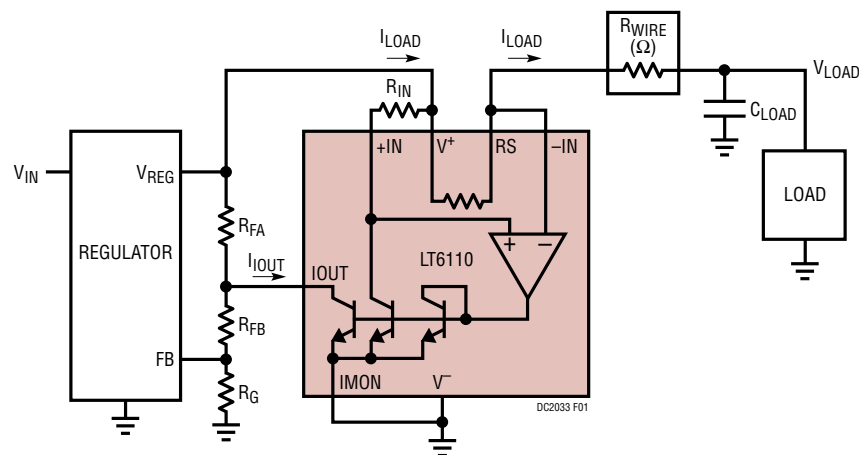


Figure 1. One Cable/Wire Compensation (One Wire to a Load Sharing the Regulator's Ground)

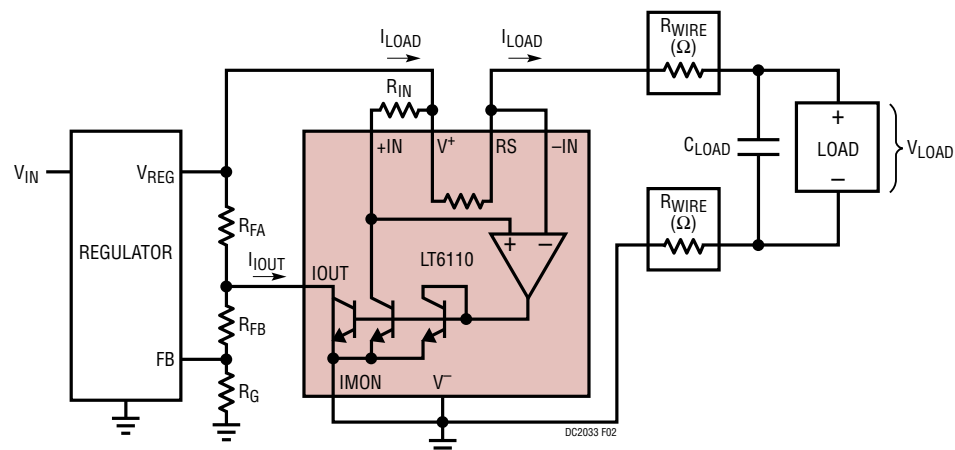


Figure 2. Two Cable/Wire Compensation (One Wire to a Load and One Ground Return Wire)

# DEMO MANUAL DC2033A

## PERFORMANCE SUMMARY Specifications are at $T_A = 25^\circ\text{C}$

PARAMETER		MIN	TYP	MAX	UNITS
Supply Range ( $V^+$ to $V^-$ )		2		50	V
Amplifier Input Offset Voltage, $V_{OS}$			100	300	$\mu\text{V}$
IOUT Current Error (Does Not Include $V_{OS}$ or $R_{IN}$ Errors)	$I_{+IN} = 10\mu\text{A}$ $I_{+IN} = 100\mu\text{A}$ $I_{+IN} = 1\text{mA}$		0.6 0.4 1.5	1.6 1 2.5	% % %
IMON Current Error ( $3 \cdot I_{+IN}$ )	$I_{+IN} = 100\mu\text{A}$		1.5	3	%
IOUT Voltage Range		0.4		$V^+$	V
IOUT Current Error Change for IOUT Voltage 0.4V to 3.5V				0.2	%/V
IMON Current Error Change for IMON Voltage 0V to 3.1V				0.2	%/V
IOUT Signal Bandwidth	$I_{+IN} = 100\mu\text{A}$		180		kHz
Supply Current			16	30	$\mu\text{A}$

## QUICK START SETUP

The Quick Start Setup of Figure 3, shows the basic connections required for getting familiar with a DC2033A. An ammeter is used to measure the load current to a  $5\Omega$  load or an active load. To confirm the operation of the LT6110, connect a wire jumper from VOUT1 to regulator. This jumper connects the power supply 5V to the ROUT 100 $\Omega$  pull-up resistor. The voltmeter across ROUT is for monitoring the  $I_{OUT}$  current. A DC2033A is assembled with a 402 $\Omega$   $R_{IN1}$  resistor to provide quick testing convenience.

The  $R_{IN1}$  resistor and the  $V_{SENSE}$  voltage set the LT6110 output current ( $I_{OUT}$ ). To begin, adjust the power supply for 1A load current. With 1A load current flowing through the internal 20m $\Omega$   $R_{SENSE}$  resistor and 100 $\mu\text{V}$   $V_{OS}$ , the  $I_{OUT}$  current is 50 $\mu\text{A}$ ,  $(1\text{A} \cdot 20\text{m}\Omega + 100\mu\text{V})/402\Omega$ . The voltmeter should read 5mV ( $50\mu\text{A} \cdot 100\Omega$ )  $\pm$  the  $R_{SENSE}$ ,  $V_{OS}$ ,  $R_{IN1}$ ,  $R_{OUT}$  and  $I_{OUT}$  errors. Figure 4 shows the Quick Setup schematic and  $I_{OUT}$  equations.

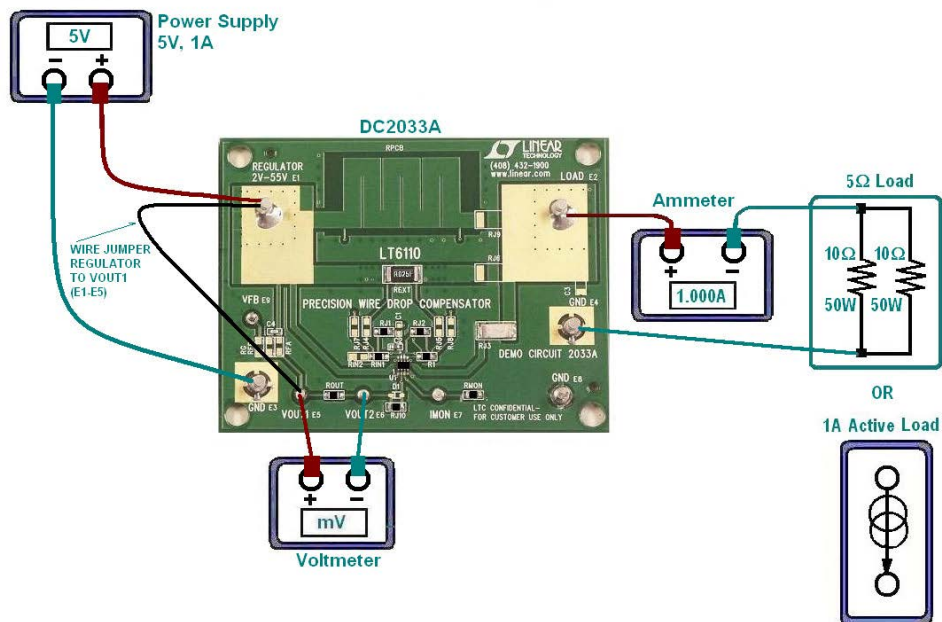


Figure 3. Quick Start Setup

dc2033af



## QUICK START SETUP

three feedback resistors for an LT6110 connection, as in Figure 1. In addition, a DC2033A includes pads for a feedback loop compensation capacitor, C4.

A Quick Design Guide.

Variable Definitions:

$I_{LOAD}$  is the maximum load current and  $I_{IOUT}$  is the LT6110 output current, (design target is 100 $\mu$ A).

$R_{SENSE}$  is the LT6110 internal or external current sense resistor and  $R_{WIRE}$  is the copper wire resistance.

( $R_{WIRE}$  includes the resistance of the load current carrying PCB traces and wire connectors minus the  $R_{SENSE}$  resistance).

$V_{FB}$  is the regulator's feedback reference voltage.

$I_Q$  is the no-load quiescent current flowing through the resistor feedback divider, ( $I_Q = V_{FB}/R_G$ ), (refer to the regulator's demo manual).

$V_{REG}$  is the no-load current regulator output voltage.

Quick Design Equations:

$$R_{IN1} = \frac{V_{SENSE}}{I_{IOUT}} \quad V_{SENSE} = I_{LOAD} \cdot R_{SENSE}$$

$$R_{FA} = \frac{V_{DROP}}{I_{IOUT}} \quad V_{DROP} = I_{LOAD} \cdot (R_{SENSE} + R_{WIRE})$$

$$R_{FB} = \frac{V_{REG} - V_{FB}}{I_Q} \quad R_G = \frac{V_{FB}}{I_Q}$$

Quick Design Check:

$$V_{REG} = (R_{FA} + R_{FB} + R_G) \cdot I_Q$$

**NOTE:** For DC2033A REGULATOR input voltages higher than 36V, remove the RJ10 jumper sorting the 27V Zener, D1. Refer to the LT6110 data sheet for additional application circuits and information.

## APPLICATIONS

### DC2033A Application Options

The DC2033A is designed to be used with a regulator board and copper wire. On board jumper pads and turrets configure an LT6110 circuit using 0Ω jumpers and provide for wired connections to a regulator board. Figures 6, 7 and 8 show typical DC2033 application circuit options.

**Table 2. DC2033A Current Sense Resistor, R<sub>SENSE</sub> and Jumper Options**

R <sub>SENSE</sub>	RESISTANCE (25°C)	JUMPERS STANDARD 0Ω	JUMPERS ULTRA-0Ω	I <sub>LOADMAX</sub>
Internal	20mΩ at I <sub>LOAD</sub> = 1A, (16.5mΩ to 22.5mΩ)	RJ1, RJ2	RJ3	3A at 125°C
LT6110 R <sub>SENSE</sub>	22mΩ at I <sub>LOAD</sub> = 3A, (18.5mΩ to 24.5mΩ)			
External R <sub>EXT</sub>	25mΩ at I <sub>LOAD</sub> = 1A, ±1%	RJ4, RJ5	RJ6	6A at 70°C 5A at 90°C
External R <sub>PCB</sub>	5.4mΩ at I <sub>LOAD</sub> = 1A, ±15% 5.7mΩ at I <sub>LOAD</sub> = 10A, ±15%	RJ7, RJ8	RJ9	20A at 25°C 10A at 90°C

### The DC2033A with a Regulator Demo Board

A DC2033A board can be configured and connected to a regulator demo board for a complete cable/wire drop compensation system evaluation. Typically a regulator demo board includes a feedback resistor divider that sets the output voltage V<sub>REG</sub>. Remove the feedback resistors from the regulator board and connect the regulator's feedback pin (FB or V<sub>REF</sub>) to the DC2033A V<sub>FB</sub> (E9). In addition, connect the V<sub>OUT</sub> and GND of the regulator board to the REGULATOR (E1) and to the GND (E3) of the DC2033A respectively. Figure 5 shows Linear Technology's buck regulator demo board, DC1458A, connected to a DC2033A, using an external sense resistor, R<sub>EXT</sub>. The DC1458A demo board includes the LT3972, 5V at 3.5A buck regulator. Figure 6 shows the complete cable/wire compensation schematic.

**NOTE:** The LT3972 R2 and R3 feedback resistors are removed from the DC1458A board and are on the DC2033A board (R<sub>FA</sub>, R<sub>FB</sub> and R<sub>G</sub>). The no-load LT3972 voltage is

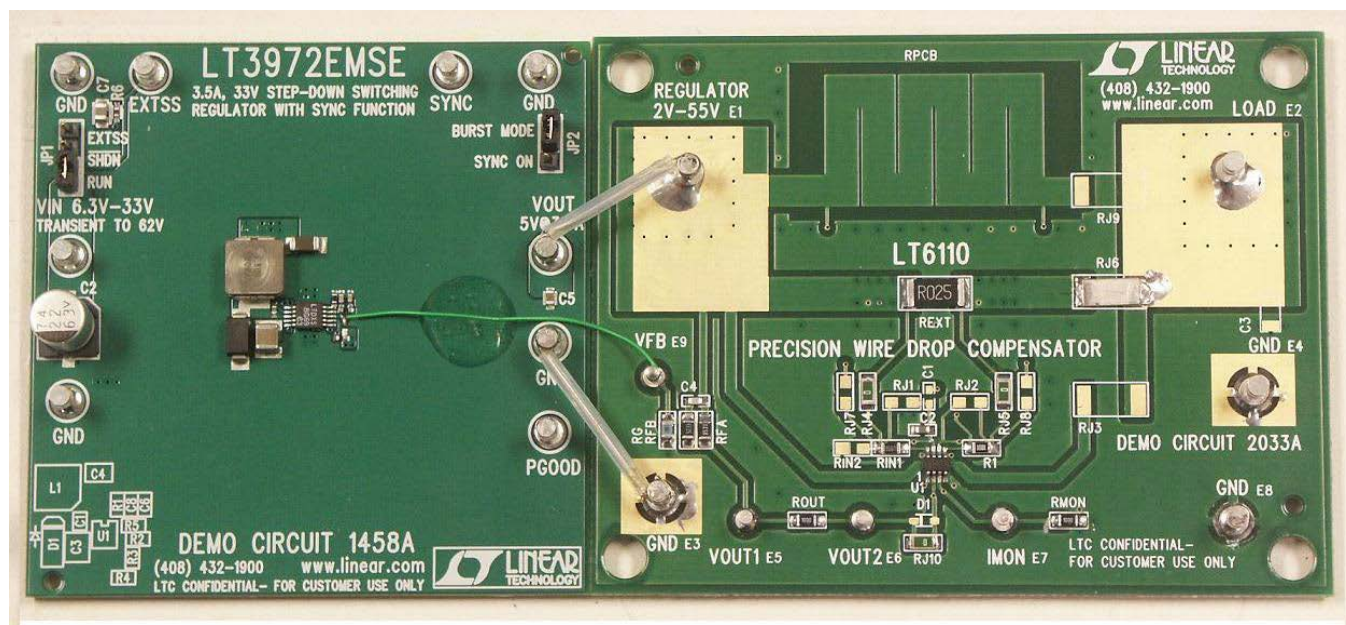


Figure 5. DC1458A and DC2033A Connections

APPLICATIONS

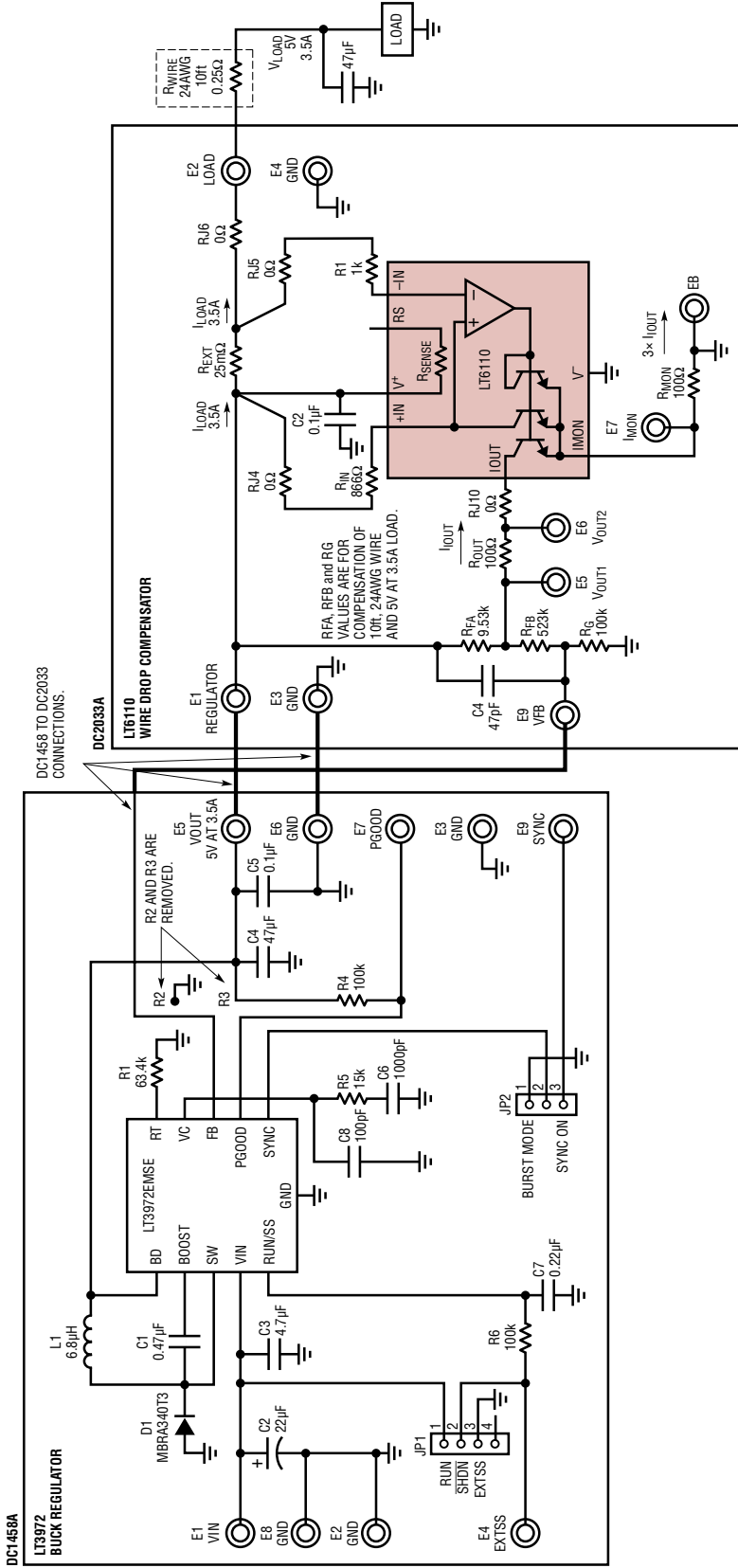


Figure 6. An LT3972 5V at 3.5A Buck Regulator with LT16110 Circuit Compensating for the Drop of a 10ft, 24AWG Cable/Wire

## APPLICATIONS

5V and the feedback voltage,  $V_{FB}$  is 0.79V. The values of the feedback resistors are selected using the Quick Design Guide with an  $I_Q = 8\mu\text{A}$ . The specified quiescent current is  $8\mu\text{A}$ . Resistors  $R_{FA}$ ,  $R_{FB}$  and  $R_G$  are 9.53k, 523k and 100k respectively.  $V_{REG} = (9.53\text{k} + 523\text{k} + 100\text{k}) \cdot 8\mu\text{A} = 5\text{V}$  ( $\pm 1\%$  and  $\pm 1.27\%$  resistor and  $V_{FB}$  tolerance respectively).

### The DC2033A PCB Trace $R_{SENSE}$

A DC2033A has a serpentine PCB trace that can be used as an LT6110 external sense resistor for high load currents (5A to 20A). Remove RJ3 ultra- $0\Omega$  jumper and install as RJ9. Remove standard  $0\Omega$  jumpers RJ1 and RJ2 and install

RJ7 and RJ8. Figure 7 shows the DC2033A schematic with LT6110 and PCB  $R_{SENSE}$ .

The copper thickness of a DC2033A PCB trace is two ounces. A typical resistance for a 2oz square trace is  $0.25\text{m}\Omega$  at  $25^\circ\text{C}$ . The  $R_{PCB}$  serpentine trace length is six  $0.15 \times 0.6$  inch rectangular traces connected by  $0.015 \times 0.15$  inch traces. The current path area of each rectangular trace is equivalent to three and one-half squares. The  $R_{PCB}$  resistance is  $5.4\text{m}\Omega$  at  $25^\circ\text{C}$ ,  $\pm 15\%$ .  $R_{WIRE}$  is the total resistance from the regulator output to the remote load (minus the  $R_{SENSE}$  resistance).

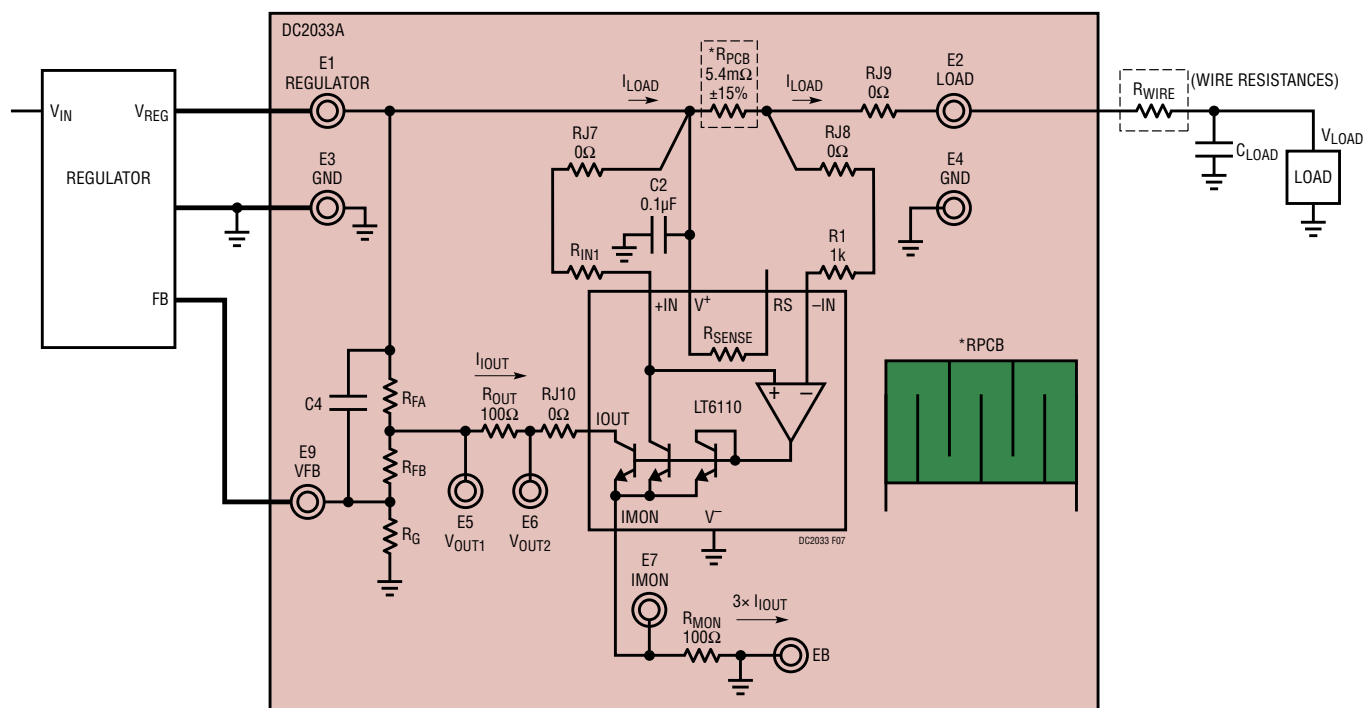


Figure 7. DC2033 Configured for  $R_{PCB}$  (PCB Trace Sense Resistor)

## APPLICATIONS

The RJ9 jumper in the load current path must be ultra-0 $\Omega$ , 1m $\Omega$  or less (the jumper's  $I \cdot R$  drop adds an error term to a wire drop compensation design). The RJ3 jumper is ultra-0 $\Omega$ , less than 1m $\Omega$  and can be removed and installed as RJ9 (for an alternative to an ultra-0 $\Omega$  jumper install two 0.25 inch length of 18AWG solid copper wires in parallel for an RJ9 jumper).

### Using the DC2033A with an LT6110 DFN Package

The bottom layer of a DC2033A is designed for an LT6110 DFN IC. To use a DC2033A for evaluating with an LT6110 DFN IC with an internal  $R_{SENSE}$  requires the following: Remove U1 (LT6110 SOT IC) and jumper RJ3 from the top of the board. Install a U2 (LT6110 DFN), RJ11 and RJ12 on the bottom of DC2033A. Figure 8 shows the schematic of a DC2033A with an LT6110 DFN package.

The DC2033A PCB layout is optimized for an LT6110 SOT23 package. A DC2033A with a LT6110 DFN (U2) and an internal  $R_{SENSE}$ , adds a 2%  $R_{SENSE}$  error due to a PCB via from the top to the bottom PCB layer. In addition to using a DC2033A with a LT6110 DFN and an internal  $R_{SENSE}$ , the DC2033A can be configured for an LT6110 DFN with an external REXT or RPCB current sense resistor (refer to the jumper table on the DC2033A schematic).

The load current path RJ6, RJ9, RJ11 and RJ12 jumpers must be ultra-0 $\Omega$ , less than 1m $\Omega$ , (for an alternative to an ultra-0 $\Omega$  jumper install two 0.25 inch length of 18AWG solid copper wires in parallel for an RJ6, RJ9, RJ11 or RJ12 jumper).



APPLICATIONS

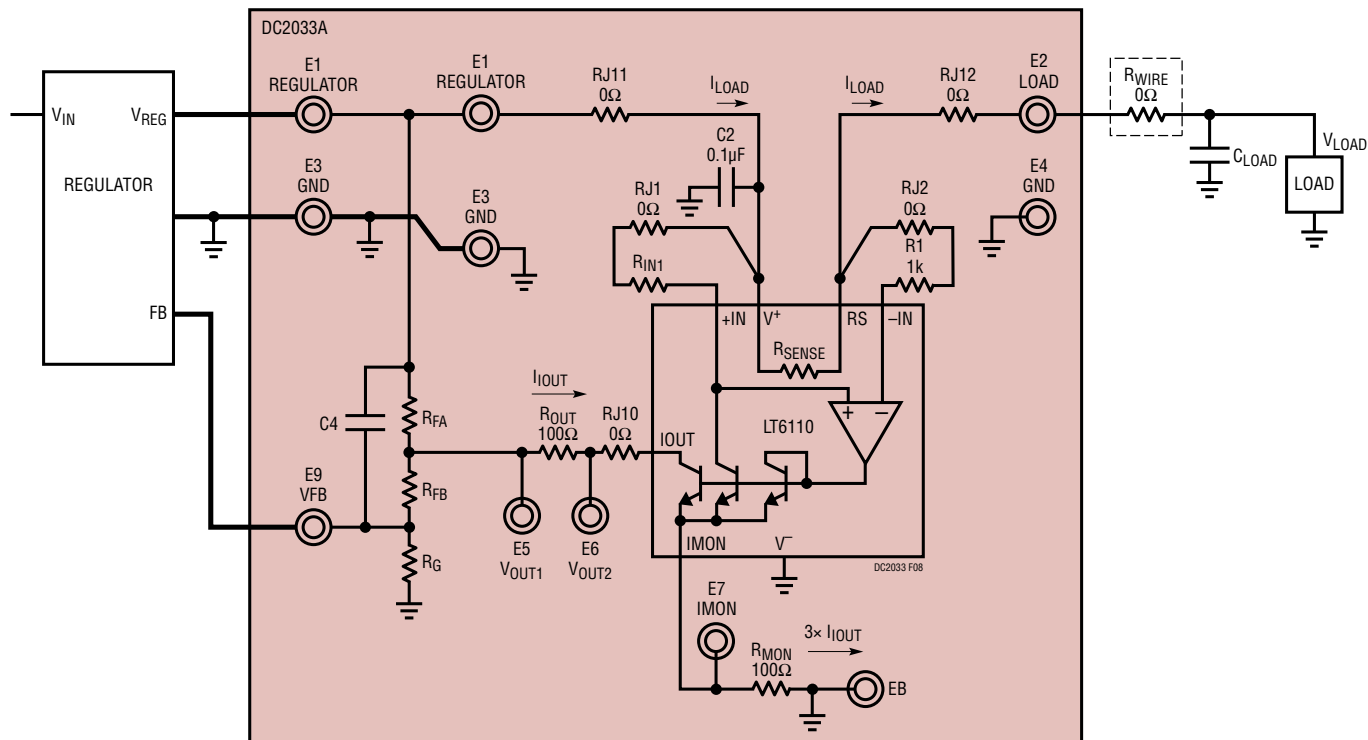


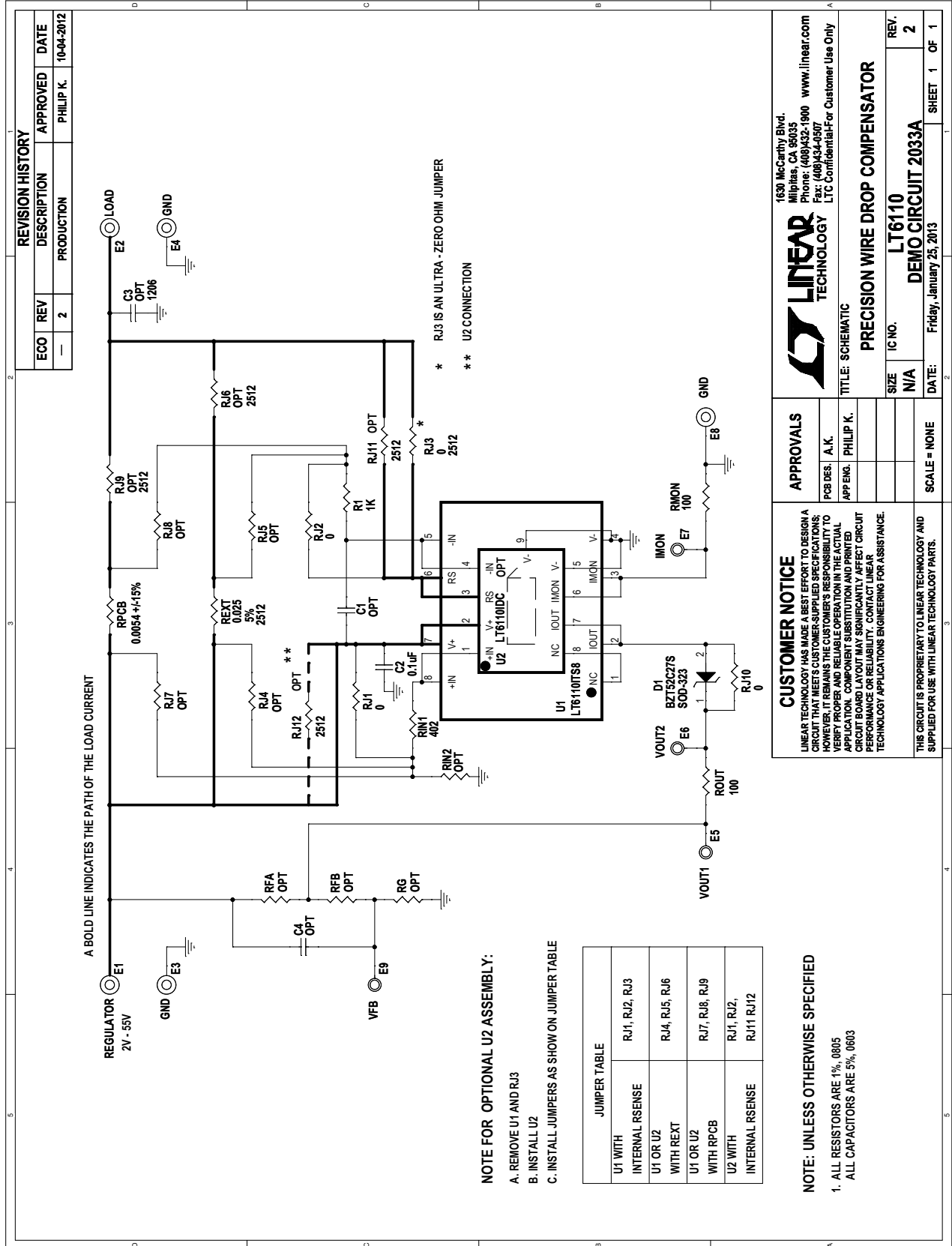
Figure 8. DC2033 Configure with an LT6110 DFN Package and Internal  $R_{SENSE}$

# DEMO MANUAL DC2033A

## PARTS LIST

ITEM	QTY	REFERENCE	PART DESCRIPTION	MANUFACTURER/PART NUMBER
1	0	C1, C4	CAP, X7R, 50V, 10%, 0603 OPT	
2	1	C2	CAP, X7R, 0.1 $\mu$ F, 50V, 10%, 0603	TDK C1608X7R1H104K
3	0	C3	CAP, X7R, 50V, 1206 OPT	
4	1	D1	DIODE, ZENER 27V 200MW SOD-323	DIODES/ZETEX, BZT52C27S-7-F
5	4	E5, E6, E7, E9	TESTPOINT, TURRET, 0.063"	MILL-MAX, 2308-2-00-80-00-00-07-0
6	5	E1 TO E4, E8	TESTPOINT, TURRET, 0.093"	MILL-MAX, 2501-2-00-80-00-00-07-0
7	1	REXT	CURRENT SENSE RESISTOR 0.025 $\Omega$ 1% 2512	VISHAY, WSL2512R0250FEA18
8	0	RIN2, RG, RFA, RFB	RES, CHIP, 1%, 1/8W, 0805 OPT	
9	1	RIN1	RES, CHIP, 1%, 1/8W, 402 $\Omega$ , 0805	VISHAY, CRCW0805402RFKEA
10	3	RJ1, RJ2, RJ10	RES, 0 $\Omega$ JUMPER, 0805	VISHAY, CRCW08050000Z0EA
11	0	RJ4, RJ5, RJ7, RJ8	RES, 0 $\Omega$ JUMPER, 0805 OPT	
12	1	RJ3	RES, ULTRA-0 $\Omega$ JUMPER, 2512	NACOMA/TEPRO RN5326
13	0	RJ6, RJ9, RJ11, RJ12	RES, ULTRA-0 $\Omega$ JUMPER, 2512 OPT	USE TWO 0.25in, 18AWG SOLID COPPER WIRES IN PARALLEL
14	2	ROUT, RMON	RES, CHIP, 1%, 1/8W, 100 $\Omega$ , 0805	VISHAY, CRCW0805100RFKEA
15	0	RPCB	RES PCB TRACE, 5.4m $\Omega$ , $\pm$ 15%	(PCB TRACE RESISTOR)
16	1	R1	RES, CHIP, 1%, 1/8W, 1k, 0805	VISHAY, CRCW08051K00FKEA
17	1	U1	IC, WIRE DROP COMPENSATOR, TSOT-23-8	LINEAR TECHNOLOGY, LT6110ITS8#PBF
18	0	U2	IC, WIRE DROP COMPENSATOR, 8 LEAD DFN, OPT	
19	4	MH1, MH2, MH3, MH4	STANDOFF, SNAP ON	KEYSTONE, 8831

**SCHEMATIC DIAGRAM**



**LINEAR TECHNOLOGY**  
 1630 McCarthy Blvd.  
 Milpitas, CA 95035  
 Phone: (408)432-1900 www.linear.com  
 Fax: (408)434-0507  
 LTC Confidential-For Customer Use Only

**PRECISION WIRE DROP COMPENSATOR**

IC NO. **LT6110** REV. **2**  
 DEMO CIRCUIT 2033A

DATE: Friday, January 25, 2013 SHEET 1 OF 1

TITLE: SCHEMATIC

APPROVALS  
 PCB DES. A.K.  
 APP ENG. PHILIP K.

CUSTOMER NOTICE  
 LINEAR TECHNOLOGY HAS MADE A BEST EFFORT TO DESIGN A CIRCUIT THAT MEETS CUSTOMER-SUPPLIED SPECIFICATIONS. HOWEVER, IT REMAINS THE CUSTOMER'S RESPONSIBILITY TO VERIFY PROPER AND RELIABLE OPERATION IN THE ACTUAL APPLICATION. LINEAR TECHNOLOGY CANNOT GUARANTEE THAT THE CIRCUIT BOARD LAYOUT MAY SIGNIFICANTLY AFFECT CIRCUIT PERFORMANCE OR RELIABILITY. CONTACT LINEAR TECHNOLOGY APPLICATIONS ENGINEERING FOR ASSISTANCE.

THIS CIRCUIT IS PROPRIETARY TO LINEAR TECHNOLOGY AND SUPPLIED FOR USE WITH LINEAR TECHNOLOGY PARTS.

SCALE = NONE

**NOTE FOR OPTIONAL U2 ASSEMBLY:**  
 A. REMOVE U1 AND RJ3  
 B. INSTALL U2  
 C. INSTALL JUMPERS AS SHOW ON JUMPER TABLE

JUMPER TABLE	
U1 WITH INTERNAL RSENSE	RJ1, RJ2, RJ3
U1 OR U2 WITH REXT	RJ4, RJ5, RJ6
U1 OR U2 WITH RPCB	RJ7, RJ8, RJ9
U2 WITH INTERNAL RSENSE	RJ1, RJ2, RJ11, RJ12

**NOTE: UNLESS OTHERWISE SPECIFIED**  
 1. ALL RESISTORS ARE 1%, 0805  
 ALL CAPACITORS ARE 5%, 0603



Information furnished by Linear Technology Corporation is believed to be accurate and reliable. However, no responsibility is assumed for its use. Linear Technology Corporation makes no representation that the interconnection of its circuits as described herein will not infringe on existing patent rights.

# DEMO MANUAL DC2033A

---

## DEMONSTRATION BOARD IMPORTANT NOTICE

Linear Technology Corporation (LTC) provides the enclosed product(s) under the following **AS IS** conditions:

This demonstration board (DEMO BOARD) kit being sold or provided by Linear Technology is intended for use for **ENGINEERING DEVELOPMENT OR EVALUATION PURPOSES ONLY** and is not provided by LTC for commercial use. As such, the DEMO BOARD herein may not be complete in terms of required design-, marketing-, and/or manufacturing-related protective considerations, including but not limited to product safety measures typically found in finished commercial goods. As a prototype, this product does not fall within the scope of the European Union directive on electromagnetic compatibility and therefore may or may not meet the technical requirements of the directive, or other regulations.

If this evaluation kit does not meet the specifications recited in the DEMO BOARD manual the kit may be returned within 30 days from the date of delivery for a full refund. **THE FOREGOING WARRANTY IS THE EXCLUSIVE WARRANTY MADE BY THE SELLER TO BUYER AND IS IN LIEU OF ALL OTHER WARRANTIES, EXPRESSED, IMPLIED, OR STATUTORY, INCLUDING ANY WARRANTY OF MERCHANTABILITY OR FITNESS FOR ANY PARTICULAR PURPOSE. EXCEPT TO THE EXTENT OF THIS INDEMNITY, NEITHER PARTY SHALL BE LIABLE TO THE OTHER FOR ANY INDIRECT, SPECIAL, INCIDENTAL, OR CONSEQUENTIAL DAMAGES.**

The user assumes all responsibility and liability for proper and safe handling of the goods. Further, the user releases LTC from all claims arising from the handling or use of the goods. Due to the open construction of the product, it is the user's responsibility to take any and all appropriate precautions with regard to electrostatic discharge. Also be aware that the products herein may not be regulatory compliant or agency certified (FCC, UL, CE, etc.).

No License is granted under any patent right or other intellectual property whatsoever. **LTC assumes no liability for applications assistance, customer product design, software performance, or infringement of patents or any other intellectual property rights of any kind.**

LTC currently services a variety of customers for products around the world, and therefore this transaction **is not exclusive**.

**Please read the DEMO BOARD manual prior to handling the product.** Persons handling this product must have electronics training and observe good laboratory practice standards. **Common sense is encouraged.**

This notice contains important safety information about temperatures and voltages. For further safety concerns, please contact a LTC application engineer.

Mailing Address:

Linear Technology  
1630 McCarthy Blvd.  
Milpitas, CA 95035

Copyright © 2004, Linear Technology Corporation

## X-ON Electronics

Largest Supplier of Electrical and Electronic Components

*Click to view similar products for [Power Management IC Development Tools](#) category:*

*Click to view products by [Analog Devices](#) manufacturer:*

Other Similar products are found below :

[EVAL-ADM1168LQEBZ](#) [EVB-EP5348UI](#) [MIC23451-AAAYFL EV](#) [MIC5281YMME EV](#) [DA9063-EVAL](#) [ADP122-3.3-EVALZ](#) [ADP130-0.8-EVALZ](#) [ADP130-1.2-EVALZ](#) [ADP130-1.5-EVALZ](#) [ADP130-1.8-EVALZ](#) [ADP1714-3.3-EVALZ](#) [ADP1716-2.5-EVALZ](#) [ADP1740-1.5-EVALZ](#) [ADP1752-1.5-EVALZ](#) [ADP1828LC-EVALZ](#) [ADP1870-0.3-EVALZ](#) [ADP1871-0.6-EVALZ](#) [ADP1873-0.6-EVALZ](#) [ADP1874-0.3-EVALZ](#) [ADP1882-1.0-EVALZ](#) [ADP199CB-EVALZ](#) [ADP2102-1.25-EVALZ](#) [ADP2102-1.875EVALZ](#) [ADP2102-1.8-EVALZ](#) [ADP2102-2-EVALZ](#) [ADP2102-3-EVALZ](#) [ADP2102-4-EVALZ](#) [ADP2106-1.8-EVALZ](#) [ADP2147CB-110EVALZ](#) [AS3606-DB](#) [BQ24010EVM](#) [BQ24075TEVM](#) [BQ24155EVM](#) [BQ24157EVM-697](#) [BQ24160EVM-742](#) [BQ24296MEVM-655](#) [BQ25010EVM](#) [BQ3055EVM](#) [NCV891330PD50GEVB](#) [ISLUSBI2CKIT1Z](#) [LM2744EVAL](#) [LM2854EVAL](#) [LM3658SD-AEV/NOPB](#) [LM3658SDEV/NOPB](#) [LM3691TL-1.8EV/NOPB](#) [LM4510SDEV/NOPB](#) [LM5033SD-EVAL](#) [LP38512TS-1.8EV](#) [EVAL-ADM1186-1MBZ](#) [EVAL-ADM1186-2MBZ](#)