

Negative Input Synchronous Multi-Topology DC/DC Controller

DESCRIPTION

Demonstration circuit 2148A features the **LT[®]8709**, a negative input synchronous multi-topology DC/DC controller designed for negative input power supplies where the highest input supply voltage is ground. Examples of these circuits include negative buck, negative boost, negative buck-boost and negative inverting. The DC2148A is a negative buck-boost with an operating input voltage range from -4.5V to -38V and an output voltage of -12V , however this demo circuit can be easily reconfigured for other negative input topologies. The maximum output current for DC2148A is 5A, the switching frequency is 400kHz and the maximum efficiency with a -12V input is 91%.

The output voltage is programmed with a single resistor R7 and a -4.22V turn-on threshold is programmed with resistor divider R3 and R4. Current sense resistor R1 programs the switch current limit and current sense resistor R2 programs an output current limit. Filters can be added to the switch and output current sense resistors using component placeholders on the PCB. The I_{MON} output voltage is proportional to output current and a $0.1\mu\text{F}$ capacitor C17 filters I_{MON} .

This demo circuit uses logic-level 60V NMOS and PMOS that operate down to a -4.5V input voltage. Diode D1 is in parallel with the PMOS to improve efficiency. Resistors can be added to the gate drives of both NMOS and PMOS. There are placeholders so the NMOS and PMOS can be paralleled.

Ceramic capacitors are used at both the circuit input and output because of their small size and high ripple current capability. The input has an aluminum electrolytic capacitor in addition to the ceramic capacitors and there is a placeholder to add an electrolytic capacitor at the output.

The MODE input is pulled up to INTV_{CC} by 100k resistor R14 which allows discontinuous conduction mode (DCM) and pulse-skipping operation. There is a placeholder that can be used to connect MODE to $-V_{\text{IN}}$ instead of INTV_{CC} for continuous conduction mode (CCM) switching.

The switching frequency is adjustable using resistor R5. The SYNC input can be used to synchronize the switching frequency. Zero ohm jumper R16 from SYNC to $-V_{\text{IN}}$ must be removed prior to using the SYNC input. Feedback loop compensation can be optimized using components R6, C7 and C8.

Capacitor C14 at the SS pin programs soft-start. PG is an open-collector status flag output and is pulled up to the INTV_{CC} pin voltage by the 100k resistor R23.

There are placeholders to add level shifting circuitry for EN/FBIN, SYNC and PG signals. In addition, the demo circuit is designed to be easily reconfigured to many other applications, including the example schematics in the data sheet. The PCB has extensive vias for thermal performance.

Synchronous switching and negative input operation make the LT8709 attractive for negative input, high-power voltage regulator circuits. The LT8709EFE is available in a thermally enhanced 20-lead TSSOP package. The LT8709 data sheet must be read in conjunction with this demo manual to properly use or modify DC2148A.

Design files for this circuit board are available at <http://www.linear.com/demo/DC2148A>

LT, LT, LTC, LTM, Linear Technology and the Linear logo are registered trademarks of Linear Technology Corporation. All other trademarks are the property of their respective owners.

DEMO MANUAL DC2148A

PERFORMANCE SUMMARY Specifications are at $T_A = 25^\circ\text{C}$

PARAMETER	CONDITIONS	MIN	TYP	MAX	UNITS
Minimum Input Voltage, V_{-VIN}		-4.5			V
Maximum Input Voltage, V_{-VIN}				-38	V
Maximum Output Current (See Figure 2), I_{OUT}	$-12\text{V} > V_{-VIN} > -38\text{V}$ $V_{-VIN} = -4.5\text{V}$	5			A
		2.5			A
Input EN/FBIN Turn-On Voltage, V_{-VIN}	$R3 = 13.3\text{k}$, $R4 = 10\text{k}$ 1%, $V_{GND,-VIN} = \text{Rising}$		-4.22		V
Output Voltage, V_{OUT}	$R7 = 130\text{k}$	-12.5		-11.7	V
Efficiency	$V_{-VIN} = -12\text{V}$, $I_{OUT} = 2.5\text{A}$		91		%
Switching Frequency	$R5 = 88.7\text{k}$		400		kHz
Output Current Limit	$R2 = 0.006\Omega$, 1%		8.3		A

QUICK START PROCEDURE

To use DC2148A to evaluate the performance of the LT8709, refer to Figure 1 for the proper measurement equipment setup, Figure 2 for the maximum output current versus input voltage and then follow the procedure:

NOTE: Make sure that the voltage applied to $-V_{IN}$ does exceed $-38V$. A GND to $-V_{IN}$ voltage that is greater than $38V$ may cause voltage spikes that occur during switching to exceed the voltage ratings at the drains of the NMOS and PMOS.

NOTE: When measuring the input or output voltage ripple, care must be taken to avoid a long ground lead on the oscilloscope probe. Measure the input or output voltage ripple by touching the probe tip directly to terminals across the $-V_{IN}$ or V_{OUT} capacitors. See Figure 3 for proper scope probe technique.

1. Connect the EN/FBIN terminal to $-V_{IN}$ with a clip-on lead. Connect the power supply (with power off), load, and meters as shown in Figure 1.
2. After all connections are made, turn on the input power and verify that the input voltage is between $-4.5V$ and $-38V$.
3. Remove the clip-on lead from EN/FBIN. Verify that the output voltage is $-12V$.

NOTE: If the output voltage is low, temporarily disconnect the load to make sure that it is not set too high.

Once the proper output voltage is established, adjust the input voltage and load within the operating ranges and observe the output voltage regulation, ripple voltage, efficiency and other parameters.

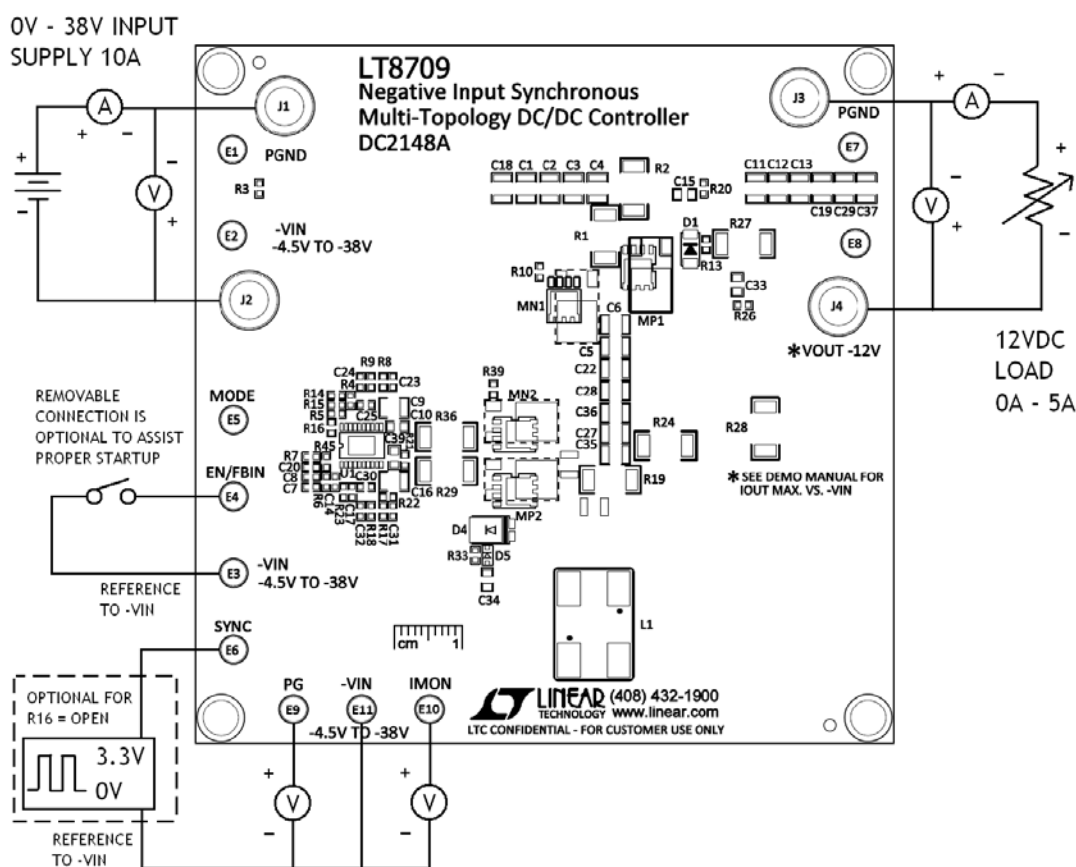


Figure 1. Proper Measurement Equipment Setup for DC2148A

QUICK START PROCEDURE

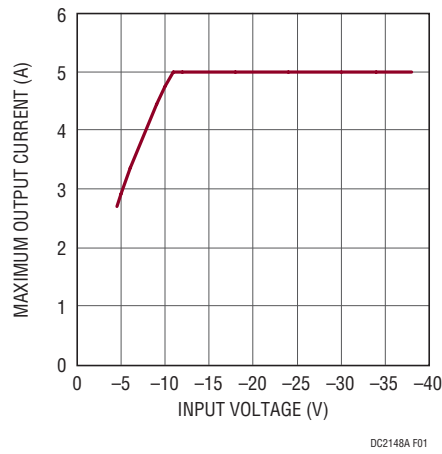


Figure 2. Maximum Output Current vs Input Voltage

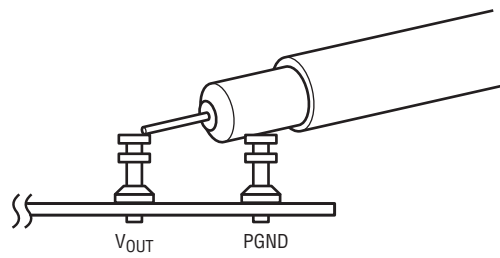


Figure 3. Proper Scope Probe Technique

QUICK START PROCEDURE

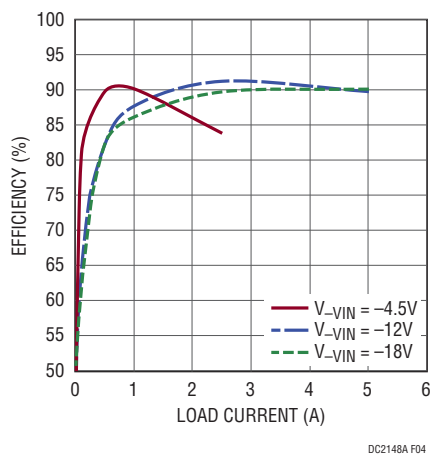


Figure 4. Efficiency

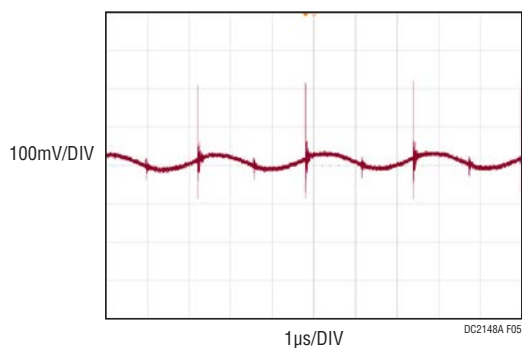


Figure 5. Output Voltage Ripple at 5A Output Current, $V_{-VIN} = -12V$, $V_{OUT} = -12V$

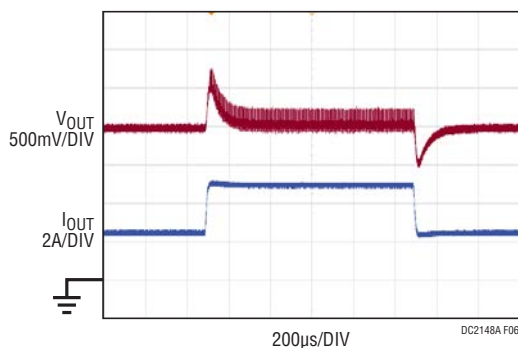


Figure 6. Output Voltage Load Transient Response, $V_{-VIN} = -12V$, $V_{OUT} = -12V$, $I_{OUT} = 2.5A$ to $5A$ to $2.5A$

DEMO MANUAL DC2148A

PARTS LIST

ITEM	QTY	REFERENCE	PART DESCRIPTION	MANUFACTURER/PART NUMBER
Required Circuit Components				
1	5	C1, C2, C3, C4, C18	Cap., X5R 10µF 50V 10% 1210	MURATA GRM32ER61H106KA12L
2	5	C5, C6, C11, C12, C13	Cap., X5R 22µF 16V 20% 1210	TDK C3225X5R1C226M
3	1	C7	Cap., X7R 4.7nF 25V 10% 0603	AVX 06033C472KAT2A
4	1	C8	Cap., NPO 47pF 25V 10% 0603	AVX 06033A470KAT2A
5	2	C9, C16	Cap., X7R 2.2µF 100V 10% 1210	Murata GRM32ER72A225KA35L
6	2	C10, C15	Cap., X7R 2.2µF 16V 20% 0805	Taiyo Yuden EMK212BJ225MG
7	1	C14	Cap., X5R 0.22µF 50V 20% 0603	TDK C1608X5R1H224M
8	1	C17	Cap., X7R 0.1µF 25V 10% 0603	AVX 06033C104KAT2A
9	1	D1	Diode Schottky, 60V/3Amp SOD-128	Philips(NXP) PMEG6030EP
10	1	L1	Inductor, 3.5µH ± 20%	Würth Elektronik 74485540350
11	1	MN1	MOSFET, Single N-Channel 22A/60V Power 56	Fairchild Semi. FDMS86520L
12	1	MP1	MOSFET, Single P-Channel 60V DPAK	Vishay SUD19P06-60-E3
13	1	R1	Res., 0.002 2W 1% 2512	Vishay WSL-2512-2L000-F-EA
14	1	R2	Res., 0.006 1W 1% 2512	Vishay WSL-2512-6L000-F-EA
15	1	R3	Res., Chip 13.3k 0.06W 1% 0603	Vishay CRCW060313K3FKEA
16	1	R4	Res., Chip 10.0k 0.06W 1% 0603	Vishay CRCW060310K0FKEA
17	1	R5	Res., Chip 88.7k 0.06W 1% 0603	Vishay CRCW060388K7FKEA
18	1	R6	Res., Chip 10k 0.06W 5% 0603	Vishay CRCW060310K0JNEA
19	1	R7	Res., Chip 130k 0.06W 1% 0603	Vishay CRCW0603130KFKEA
20	1	U1	I.C., Volt. Reg. TSSOP20-FE/CB	Linear Tech. Corp. LT8709EFE
Additional Demo Board Circuit Components				
1	0	C20, C23, C24, C25, C30, C31, C32 (Opt)	Cap., 0603	
2	1	C21	Cap., Alum 220µF 50V 20% 10mm Dia. SMD	Sun Elect. 50CE220AX
3	0	C19, C22, C27, C28, C29, C35, C36, C37 (Opt)	Cap., 1210	
4	0	C26 (Opt)	Cap., 8mm Dia. SMD	
5	0	C33, C34, C39 (Opt)	Cap., 0805	
6	0	C38 (Opt)	Cap., X7R 0.1µF 100V 10% 1206	AVX 12061C104KAT2A
7	0	D2, D3 (Opt)	Schottky Barrier 100V SOD323	NXP Semi. BAT46WJ
8	0	D4 (Opt)	Schottky Diode PowerDi5	
9	0	D5 (Opt)	Diode, SOD-323	
10	0	MN2 (Opt)	MOSFET, Single N-Channel 60V PowerPAK SO8	
11	0	MP2 (Opt)	MOSFET, Single P-Channel PowerPAK SO8	
12	0	Q1 (Opt)	Trans., PNP SOT23	Zetex FMMT593
13	0	Q2 (Opt)	XSTR, NPN SOT-23	Diode Inc. MMBT2222A
14	0	R8, R9, R10, R11, R12, R13, R15, R17, R18, R21, R22, R25, R26, R31, R32, R33, R34, R37, R38, R39, R45 (Opt)	Res., 0603	

PARTS LIST

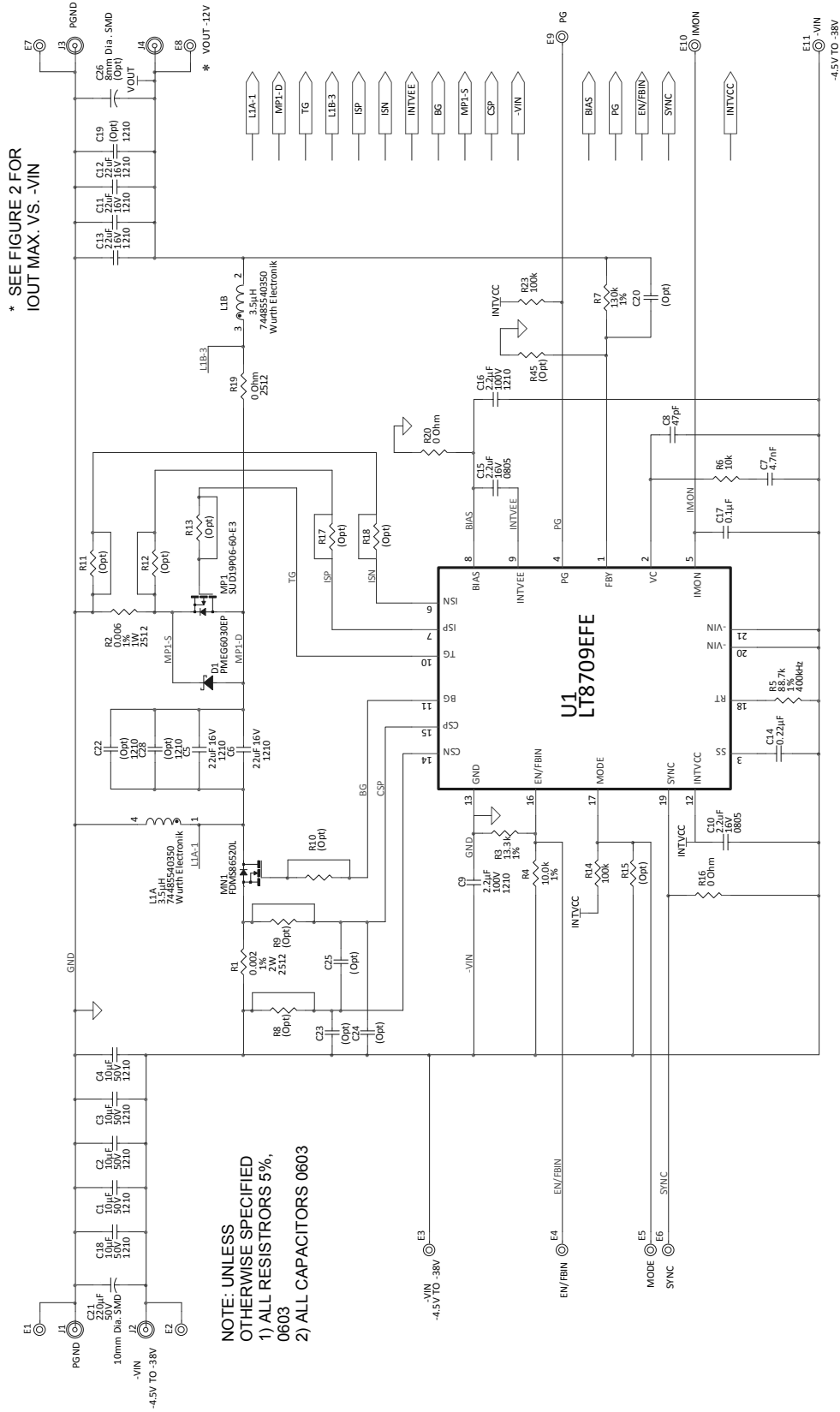
ITEM	QTY	REFERENCE	PART DESCRIPTION	MANUFACTURER/PART NUMBER
15	2	R14, R23	Res., Chip 100k 0.06W 5% 0603	Vishay CRCW0603100KJNEA
16	2	R16, R20	Res/Jumper, Chip 0Ω 0.25W 5A 0603	Vishay CRCW06030000Z0EA
17	1	R19	Res/Jumper, Chip 0Ω 1.5W 16A 2512	Vishay CRCW25120000Z0EA
18	0	R24, R27, R28, R29, R36 (Opt)	Res., 2512	
19	0	R30, R35, R40 (Opt)	Res., Chip 1k 0.06W 5% 0603	Vishay CRCW06031K00JNEA
20	0	R41 (Opt)	Res., Chip 100k 0.06W 5% 0603	Vishay CRCW0603100KJNEA
21	0	R42, R43, R44 (Opt)	Res., Chip 20k 0.06W 5% 0603	Vishay CRCW060320K0JNEA

Hardware: For Demo Board Only

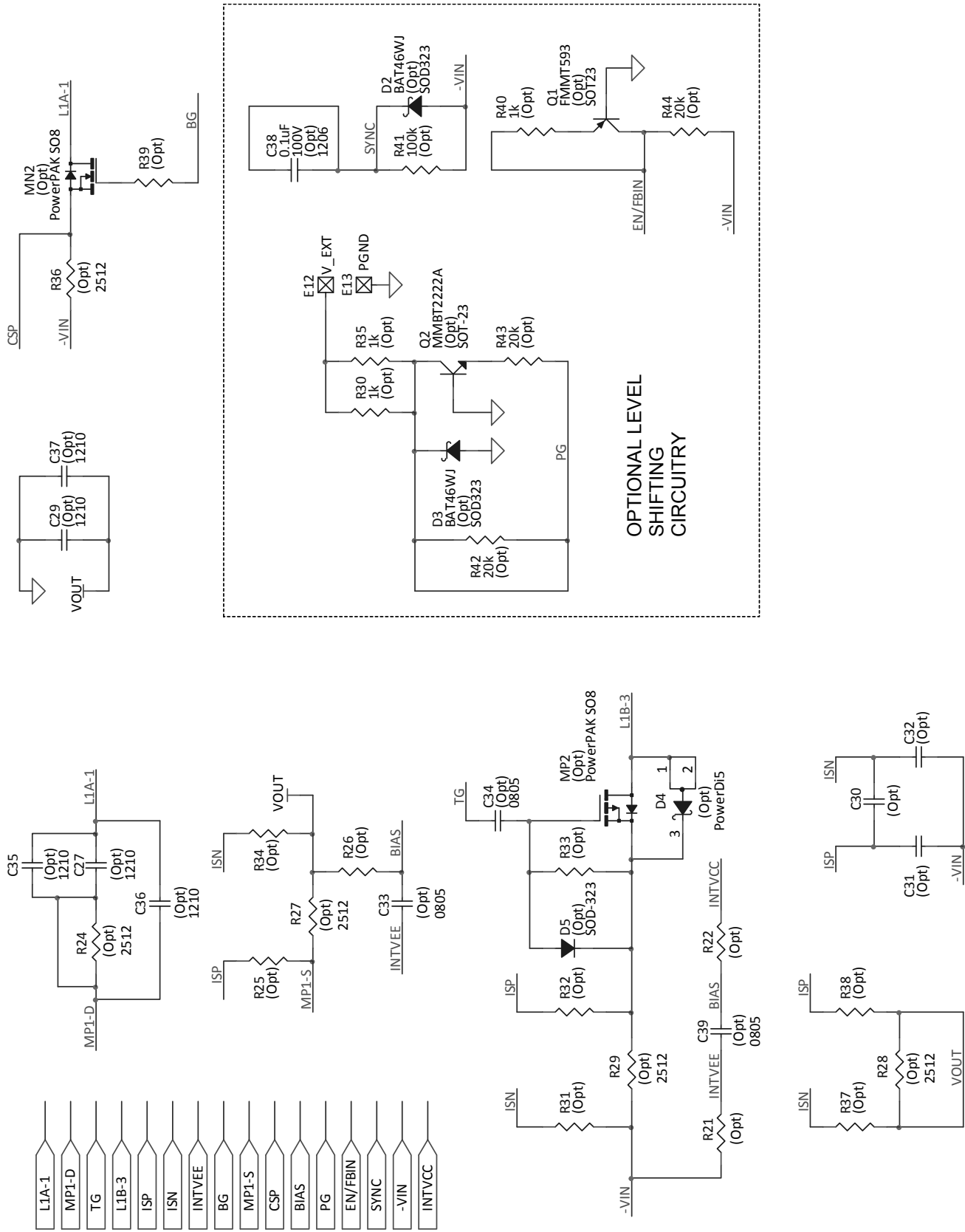
1	11	E1, E2, E3, E4, E5, E6, E7, E8, E9, E10, E11	Turret, Testpoint	Mill Max 2501-2-00-80-00-00-07-0
2	4	J1, J2, J3, J4	Connector, Banana Jack	Keystone 575-4
3	4	MH1-MH4	STAND-OFF, NYLON 0.50" Tall (SNAP ON)	Keystone 8833

DEMO MANUAL DC2148A

SCHEMATIC DIAGRAM



SCHEMATIC DIAGRAM



DEMO MANUAL DC2148A

DEMONSTRATION BOARD IMPORTANT NOTICE

Linear Technology Corporation (LTC) provides the enclosed product(s) under the following **AS IS** conditions:

This demonstration board (DEMO BOARD) kit being sold or provided by Linear Technology is intended for use for **ENGINEERING DEVELOPMENT OR EVALUATION PURPOSES ONLY** and is not provided by LTC for commercial use. As such, the DEMO BOARD herein may not be complete in terms of required design-, marketing-, and/or manufacturing-related protective considerations, including but not limited to product safety measures typically found in finished commercial goods. As a prototype, this product does not fall within the scope of the European Union directive on electromagnetic compatibility and therefore may or may not meet the technical requirements of the directive, or other regulations.

If this evaluation kit does not meet the specifications recited in the DEMO BOARD manual the kit may be returned within 30 days from the date of delivery for a full refund. **THE FOREGOING WARRANTY IS THE EXCLUSIVE WARRANTY MADE BY THE SELLER TO BUYER AND IS IN LIEU OF ALL OTHER WARRANTIES, EXPRESSED, IMPLIED, OR STATUTORY, INCLUDING ANY WARRANTY OF MERCHANTABILITY OR FITNESS FOR ANY PARTICULAR PURPOSE. EXCEPT TO THE EXTENT OF THIS INDEMNITY, NEITHER PARTY SHALL BE LIABLE TO THE OTHER FOR ANY INDIRECT, SPECIAL, INCIDENTAL, OR CONSEQUENTIAL DAMAGES.**

The user assumes all responsibility and liability for proper and safe handling of the goods. Further, the user releases LTC from all claims arising from the handling or use of the goods. Due to the open construction of the product, it is the user's responsibility to take any and all appropriate precautions with regard to electrostatic discharge. Also be aware that the products herein may not be regulatory compliant or agency certified (FCC, UL, CE, etc.).

No License is granted under any patent right or other intellectual property whatsoever. **LTC assumes no liability for applications assistance, customer product design, software performance, or infringement of patents or any other intellectual property rights of any kind.**

LTC currently services a variety of customers for products around the world, and therefore this transaction **is not exclusive**.

Please read the DEMO BOARD manual prior to handling the product. Persons handling this product must have electronics training and observe good laboratory practice standards. **Common sense is encouraged.**

This notice contains important safety information about temperatures and voltages. For further safety concerns, please contact a LTC application engineer.

Mailing Address:

Linear Technology
1630 McCarthy Blvd.
Milpitas, CA 95035

Copyright © 2004, Linear Technology Corporation

X-ON Electronics

Largest Supplier of Electrical and Electronic Components

Click to view similar products for [Power Management IC Development Tools](#) category:

Click to view products by [Analog Devices](#) manufacturer:

Other Similar products are found below :

[EVAL-ADM1168LQEBZ](#) [EVB-EP5348UI](#) [MIC23451-AAAYFL EV](#) [MIC5281YMME EV](#) [DA9063-EVAL](#) [ADP122-3.3-EVALZ](#) [ADP130-0.8-EVALZ](#) [ADP130-1.2-EVALZ](#) [ADP130-1.5-EVALZ](#) [ADP130-1.8-EVALZ](#) [ADP1714-3.3-EVALZ](#) [ADP1716-2.5-EVALZ](#) [ADP1740-1.5-EVALZ](#) [ADP1752-1.5-EVALZ](#) [ADP1828LC-EVALZ](#) [ADP1870-0.3-EVALZ](#) [ADP1871-0.6-EVALZ](#) [ADP1873-0.6-EVALZ](#) [ADP1874-0.3-EVALZ](#) [ADP1882-1.0-EVALZ](#) [ADP199CB-EVALZ](#) [ADP2102-1.25-EVALZ](#) [ADP2102-1.875EVALZ](#) [ADP2102-1.8-EVALZ](#) [ADP2102-2-EVALZ](#) [ADP2102-3-EVALZ](#) [ADP2102-4-EVALZ](#) [ADP2106-1.8-EVALZ](#) [ADP2147CB-110EVALZ](#) [AS3606-DB](#) [BQ24010EVM](#) [BQ24075TEVM](#) [BQ24155EVM](#) [BQ24157EVM-697](#) [BQ24160EVM-742](#) [BQ24296MEVM-655](#) [BQ25010EVM](#) [BQ3055EVM](#) [NCV891330PD50GEVB](#) [ISLUSBI2CKIT1Z](#) [LM2744EVAL](#) [LM2854EVAL](#) [LM3658SD-AEV/NOPB](#) [LM3658SDEV/NOPB](#) [LM3691TL-1.8EV/NOPB](#) [LM4510SDEV/NOPB](#) [LM5033SD-EVAL](#) [LP38512TS-1.8EV](#) [EVAL-ADM1186-1MBZ](#) [EVAL-ADM1186-2MBZ](#)