

LT3095

Dual-Channel Low Noise Bias Generators

DESCRIPTION

Demonstration circuit 2270A is a dual-channel low noise bias generator featuring [LT3095](#). The LT3095 generates two low noise bias supplies from a common input voltage range from 3V to 20V. Each channel includes a fixed frequency, peak current mode step-up switching regulator and a low noise, single resistor programmable linear regulator. The maximum load current is 50mA for each channel.

Each boost regulator adjusts its output voltage to 2V above the corresponding linear regulator's output voltage, optimizing power dissipation, PSRR and transient response. The integrated boost regulator, frequency compensation and Schottky diodes minimize the external component count and simplify system design.

The switching frequency can be programmed either via oscillator resistor or an external clock from 450kHz to

2MHz. The SYNC pin on the demo board is grounded by default. To synchronize to an external clock, move JP1 to SYNC and apply the external clock to the SYNC turret. The R_T resistor (R2) should be chosen to set the LT3095 internal switching frequency to the SYNC frequency.

The LT3095 is available in a thermally enhanced 24-Lead 3mm × 5mm QFN package.

The LT3095 data sheet gives a complete description of the device, operation and application information. The data sheet must be read in conjunction with this quick start guide for demo circuit 2270.

Design files for this circuit board are available at <http://www.linear.com/demo/DC2270A>

LT, LT, LTC, LTM, Linear Technology and the Linear logo are registered trademarks of Linear Technology Corporation. All other trademarks are the property of their respective owners.

PERFORMANCE SUMMARY Specifications are at $T_A = 25^\circ\text{C}$

SYMBOL	PARAMETER	CONDITIONS	MIN	TYP	MAX	UNITS
V_{IN}	Input Voltage Range		3		20	V
V_{OUT1}	Channel1 Output Voltage		4.9	5	5.1	V
V_{OUT2}	Channel2 Output Voltage		14.7	15	15.3	V
I_{OUT1}	Channel1 Max Output Current		50			mA
I_{OUT2}	Channel2 Max Output Current		50			mA
f_{SW}	Switching Frequency	$R_T = 100\text{k}\Omega$	0.95	1	1.05	MHz
$V_{OUT,P-P}$	Output Voltage Peak-to-Peak Noise	$V_{IN} = 5\text{V}$, $V_{OUT} = 15\text{V}$, $I_{OUT} = 50\text{mA}$, $f_{SW} = 1\text{MHz}$ 20MHz BW		65		μV

QUICK START PROCEDURE

Demonstration circuit 2270 is easy to set up to evaluate the performance of the LT3095. Refer to Figure 2 for proper measurement equipment setup and follow the procedure below:

1. Place JP1 on RT position.
2. With power off, connect the input power supply to V_{IN} and GND. Make sure that the input voltage does not exceed 20V.
3. With power off, connect loads from V_{OUT1} to GND, and V_{OUT2} to GND.
4. Turn on the power at the input.
5. Check for the proper output voltages (5V and 15V).

NOTE: If there is no output, temporarily disconnect the load to make sure that the load is not set too high or is shorted.

6. Once the proper output voltage is established, adjust the load within the operating range and observe the output voltage regulation and other parameters.
7. An external clock can be added to the SYNC terminal when SYNC function is used (JP1 on the SYNC position). The set switching frequency should be programmed to the SYNC frequency. See the data sheet section Programming the Switching Frequency for details.
8. The output noise can be measured by J1 and J2. Please refer to Application Notes 70 for details.

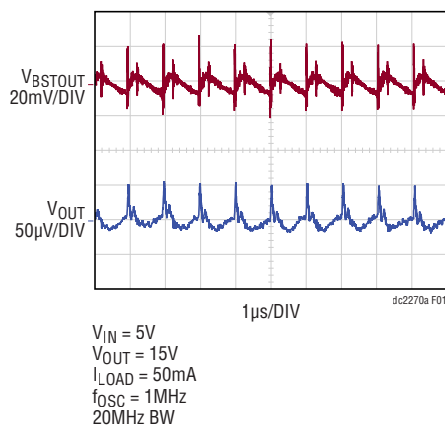
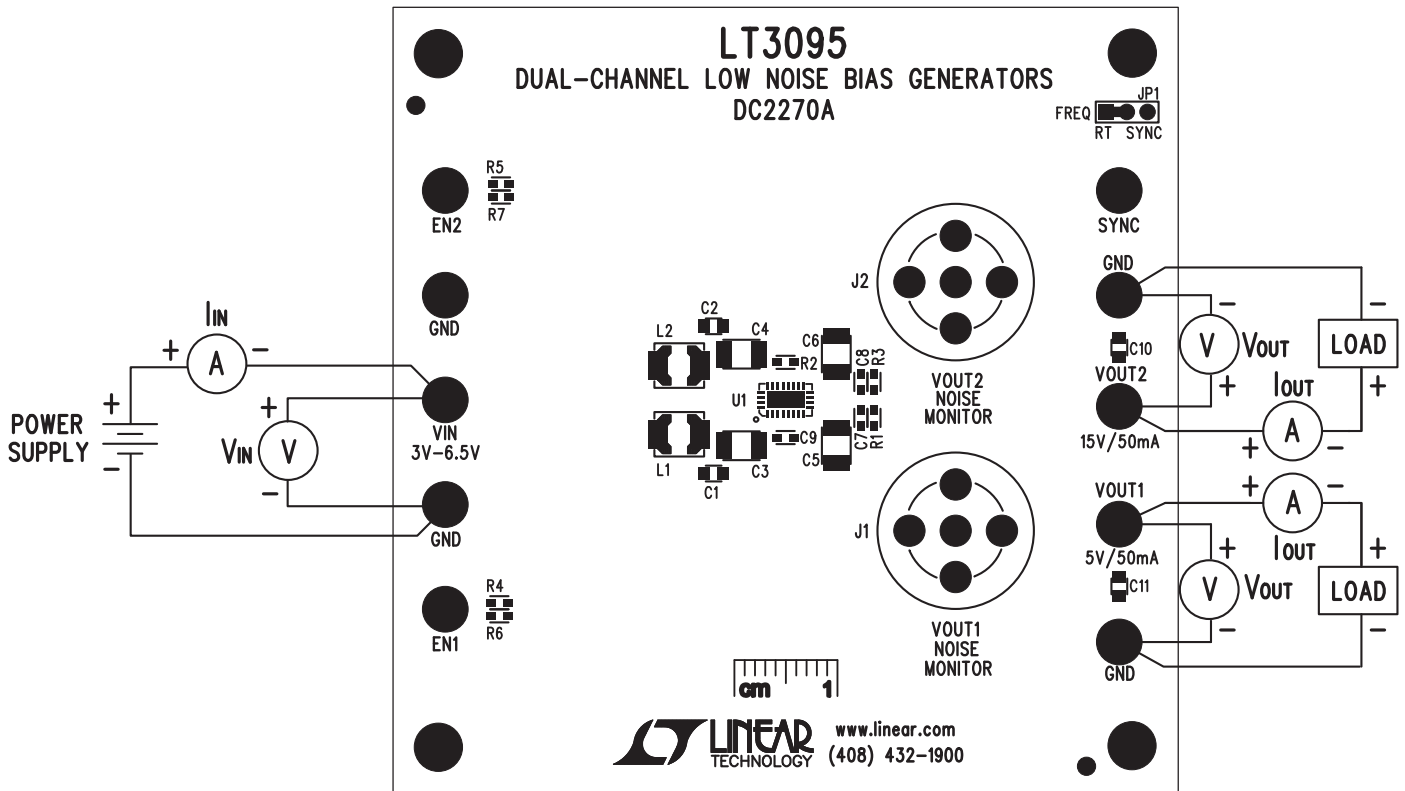


Figure 1. Transient Output Ripple

QUICK START PROCEDURE



*J1 AND J2 ARE THE BNC CONNECTORS TO COAXIAL CABLE FOR NOISE MEASUREMENT. PLEASE REFER TO AN70 APPENDIX B FOR DETAILS

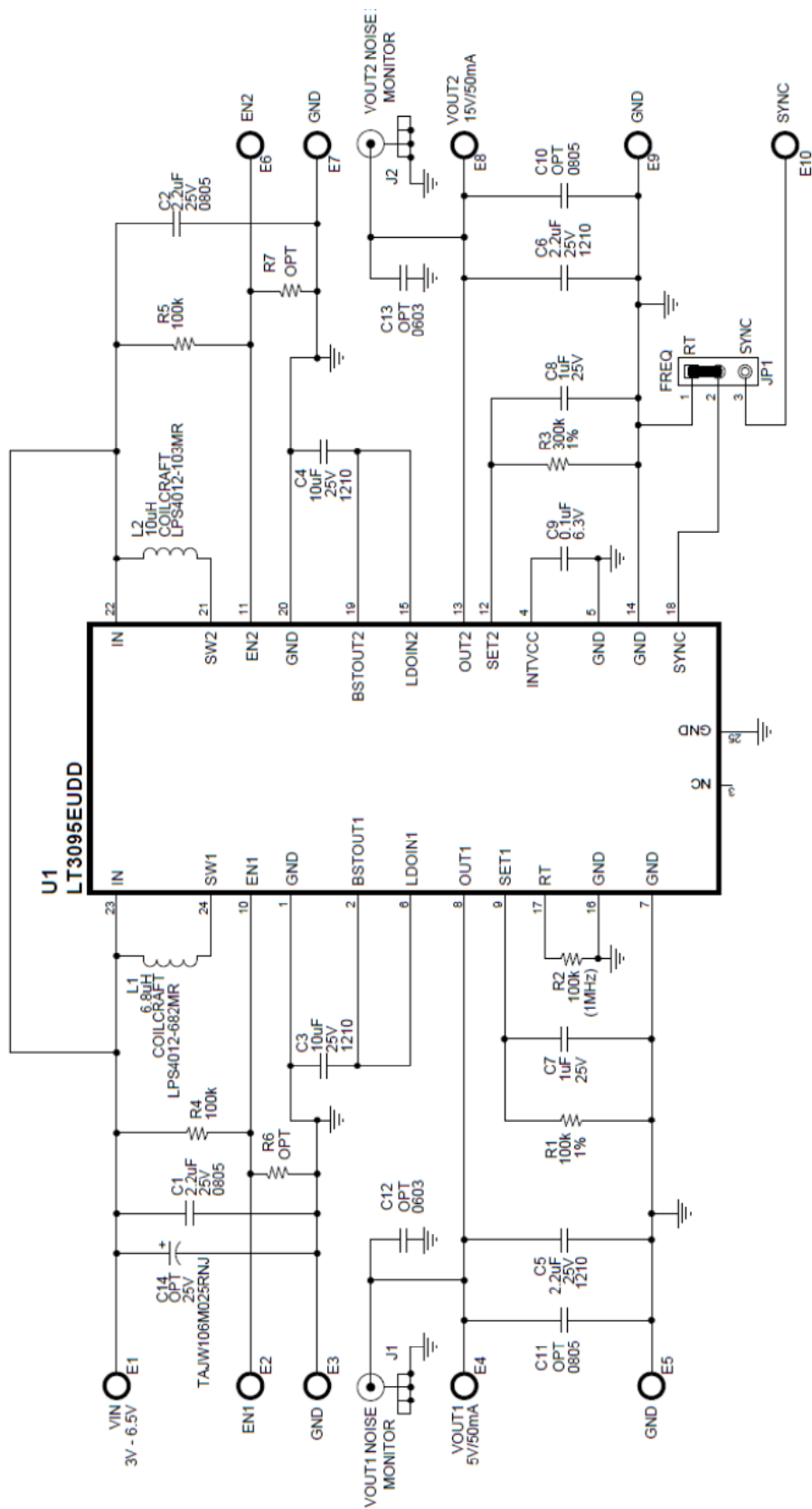
Figure 2. Proper Measurement Equipment Setup

DEMO MANUAL DC2270A

PARTS LIST

ITEM	QTY	REFERENCE	PART DESCRIPTION	MANUFACTURER/PART NUMBER
Required Circuit Components				
1	2	C1, C2	CAP., 2.2 μ F, X7R, 25V, 10%, 0805	MURATA, GRM21BR71E225KA73L
2	2	C3, C4	CAP., 10 μ F, X7R, 25V, 10%, 1210	MURATA, GRM32DR71E106KA12L
3	2	C5, C6	CAP., 2.2 μ F, X7R, 25V, 10%, 1210	AVX, 12103C225KAT2A
4	2	C7, C8	CAP., 1 μ F, X7R, 25V, 10%, 0603	MURATA, GRM188R71E105KA12D
5	1	C9	CAP., 0.1 μ F, X7R, 6.3V, 10%, 0603	AVX, 06036D104KAT2A
6	1	L1	INDUCTOR, 6.8 μ H	COILCRAFT LPS4012-682MR
7	1	L2	INDUCTOR, 10 μ H	COILCRAFT LPS4012-103MR
8	4	R1, R2, R4, R5	RES., CHIP, 100k, 1/10W, 1%, 0603	VISHAY, CRCW0603100KFKEA
9	1	R3	RES., CHIP, 300k, 1/10W, 1%, 0603	VISHAY, CRCW0603300KFKEA
10	1	U1	I.C., REGULATOR, QFN24-3X5-UDD	LINEAR TECH., LT3095EUDD#PBF
Additional Demo Board Circuit Components				
1	0	C10, C11 (OPT)	CAP., 0805	
2	0	C12, C13 (OPT)	CAP., 0603	
3	0	R6, R7 (OPT)	RES., 0603	
4	0	C14 (OPT)	CAP, TANT., 10 μ F, 25V, 20%, 2312	AVX, TAJW106M025RNJ
Hardware: For Demo Board Only				
1	10	E1-E10	TESTPOINT, TURRET, 0.094" pbf	MILL-MAX, 2501-2-00-80-00-00-07-0
2	1	JP1	HEADER 3 PIN 0.079 SINGLE ROW	WURTH, 620 003 111 21
3	1	XJP1	SHUNT, 0.079" CENTER	WURTH, 608 002 134 21
4	2	J1-J2	CONN, BNC, 5 PINS	CONNEX, 112404

SCHEMATIC DIAGRAM



DEMO MANUAL DC2270A

DEMONSTRATION BOARD IMPORTANT NOTICE

Linear Technology Corporation (LTC) provides the enclosed product(s) under the following **AS IS** conditions:

This demonstration board (DEMO BOARD) kit being sold or provided by Linear Technology is intended for use for **ENGINEERING DEVELOPMENT OR EVALUATION PURPOSES ONLY** and is not provided by LTC for commercial use. As such, the DEMO BOARD herein may not be complete in terms of required design-, marketing-, and/or manufacturing-related protective considerations, including but not limited to product safety measures typically found in finished commercial goods. As a prototype, this product does not fall within the scope of the European Union directive on electromagnetic compatibility and therefore may or may not meet the technical requirements of the directive, or other regulations.

If this evaluation kit does not meet the specifications recited in the DEMO BOARD manual the kit may be returned within 30 days from the date of delivery for a full refund. **THE FOREGOING WARRANTY IS THE EXCLUSIVE WARRANTY MADE BY THE SELLER TO BUYER AND IS IN LIEU OF ALL OTHER WARRANTIES, EXPRESSED, IMPLIED, OR STATUTORY, INCLUDING ANY WARRANTY OF MERCHANTABILITY OR FITNESS FOR ANY PARTICULAR PURPOSE. EXCEPT TO THE EXTENT OF THIS INDEMNITY, NEITHER PARTY SHALL BE LIABLE TO THE OTHER FOR ANY INDIRECT, SPECIAL, INCIDENTAL, OR CONSEQUENTIAL DAMAGES.**

The user assumes all responsibility and liability for proper and safe handling of the goods. Further, the user releases LTC from all claims arising from the handling or use of the goods. Due to the open construction of the product, it is the user's responsibility to take any and all appropriate precautions with regard to electrostatic discharge. Also be aware that the products herein may not be regulatory compliant or agency certified (FCC, UL, CE, etc.).

No License is granted under any patent right or other intellectual property whatsoever. **LTC assumes no liability for applications assistance, customer product design, software performance, or infringement of patents or any other intellectual property rights of any kind.**

LTC currently services a variety of customers for products around the world, and therefore this transaction **is not exclusive**.

Please read the DEMO BOARD manual prior to handling the product. Persons handling this product must have electronics training and observe good laboratory practice standards. **Common sense is encouraged.**

This notice contains important safety information about temperatures and voltages. For further safety concerns, please contact a LTC application engineer.

Mailing Address:

Linear Technology
1630 McCarthy Blvd.
Milpitas, CA 95035

Copyright © 2004, Linear Technology Corporation

X-ON Electronics

Largest Supplier of Electrical and Electronic Components

Click to view similar products for [Power Management IC Development Tools](#) category:

Click to view products by [Analog Devices](#) manufacturer:

Other Similar products are found below :

[EVAL-ADM1168LQEBZ](#) [EVB-EP5348UI](#) [MIC23451-AAAYFL EV](#) [MIC5281YMME EV](#) [DA9063-EVAL](#) [ADP122-3.3-EVALZ](#) [ADP130-0.8-EVALZ](#) [ADP130-1.2-EVALZ](#) [ADP130-1.5-EVALZ](#) [ADP130-1.8-EVALZ](#) [ADP1714-3.3-EVALZ](#) [ADP1716-2.5-EVALZ](#) [ADP1740-1.5-EVALZ](#) [ADP1752-1.5-EVALZ](#) [ADP1828LC-EVALZ](#) [ADP1870-0.3-EVALZ](#) [ADP1871-0.6-EVALZ](#) [ADP1873-0.6-EVALZ](#) [ADP1874-0.3-EVALZ](#) [ADP1882-1.0-EVALZ](#) [ADP199CB-EVALZ](#) [ADP2102-1.25-EVALZ](#) [ADP2102-1.875EVALZ](#) [ADP2102-1.8-EVALZ](#) [ADP2102-2-EVALZ](#) [ADP2102-3-EVALZ](#) [ADP2102-4-EVALZ](#) [ADP2106-1.8-EVALZ](#) [ADP2147CB-110EVALZ](#) [AS3606-DB](#) [BQ24010EVM](#) [BQ24075TEVM](#) [BQ24155EVM](#) [BQ24157EVM-697](#) [BQ24160EVM-742](#) [BQ24296MEVM-655](#) [BQ25010EVM](#) [BQ3055EVM](#) [NCV891330PD50GEVB](#) [ISLUSBI2CKIT1Z](#) [LM2744EVAL](#) [LM2854EVAL](#) [LM3658SD-AEV/NOPB](#) [LM3658SDEV/NOPB](#) [LM3691TL-1.8EV/NOPB](#) [LM4510SDEV/NOPB](#) [LM5033SD-EVAL](#) [LP38512TS-1.8EV](#) [EVAL-ADM1186-1MBZ](#) [EVAL-ADM1186-2MBZ](#)